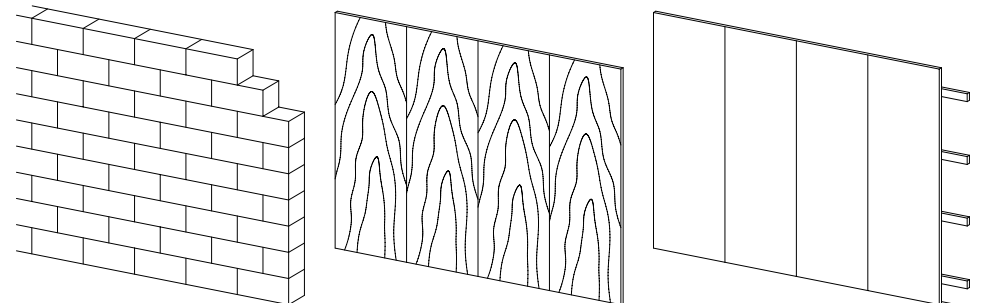
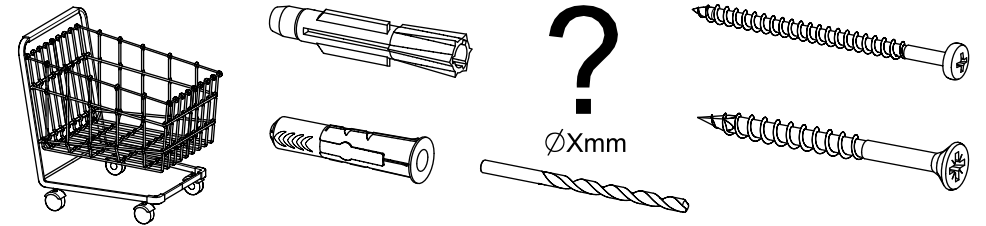
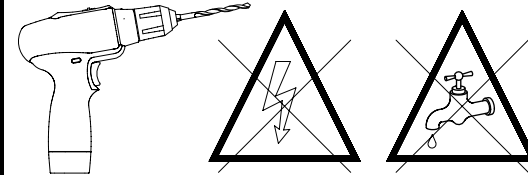
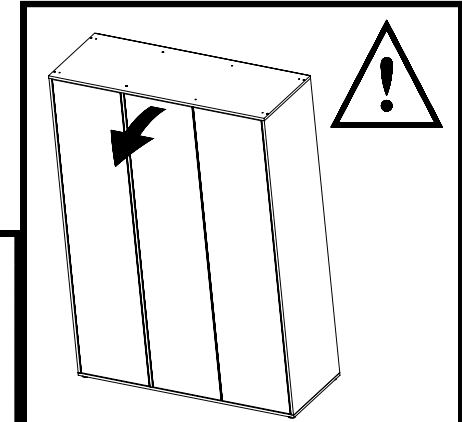
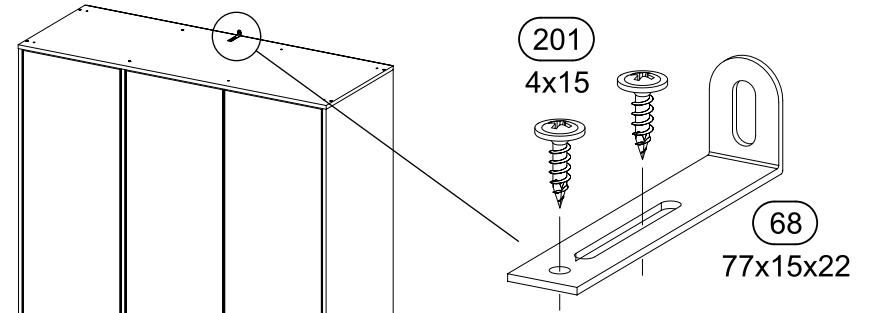
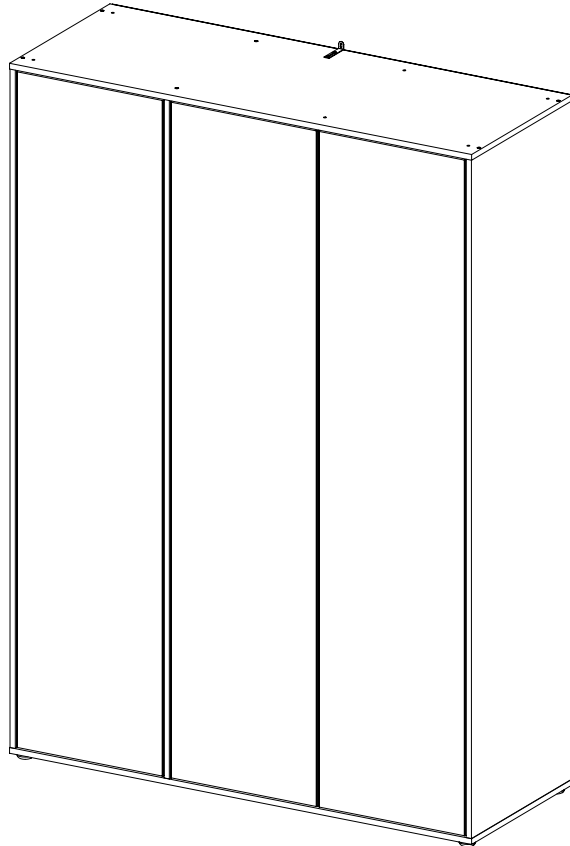
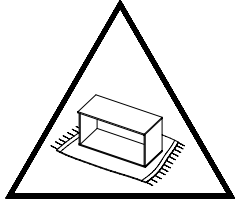
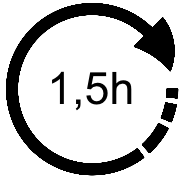
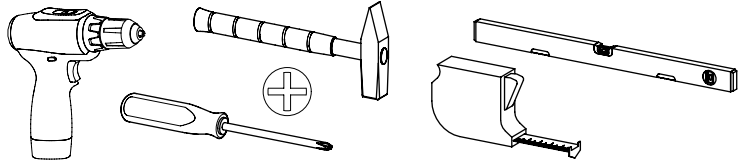
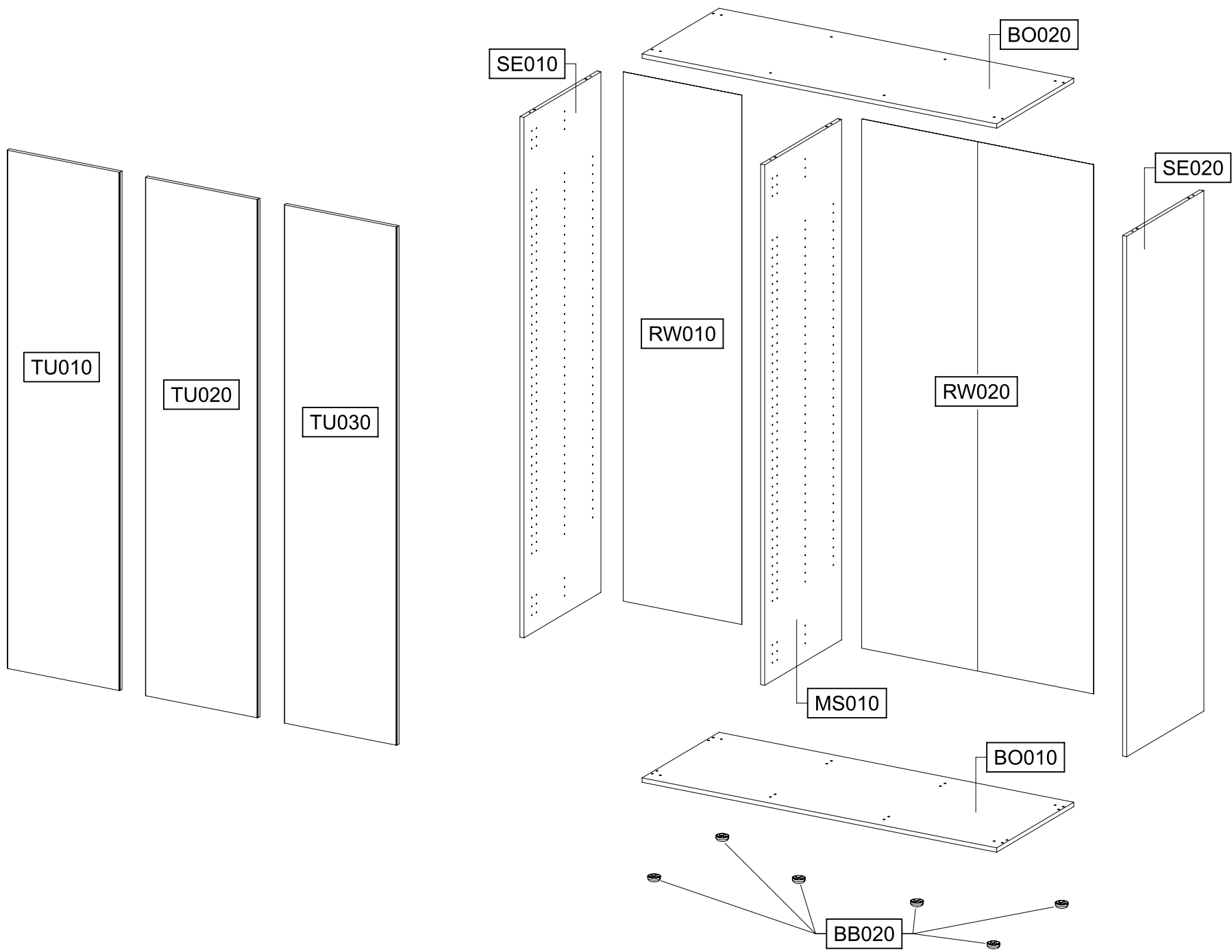



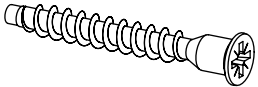
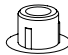


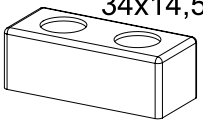
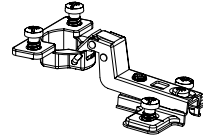
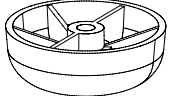


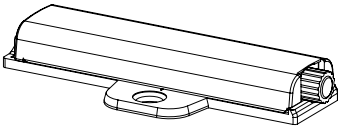
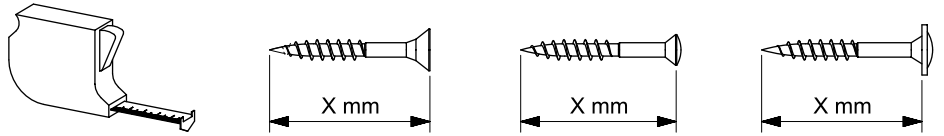

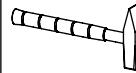
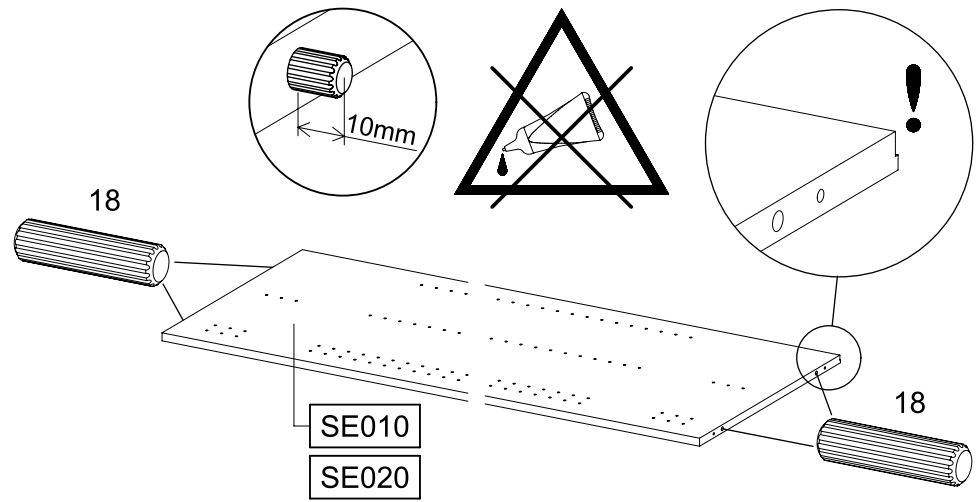
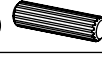
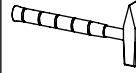
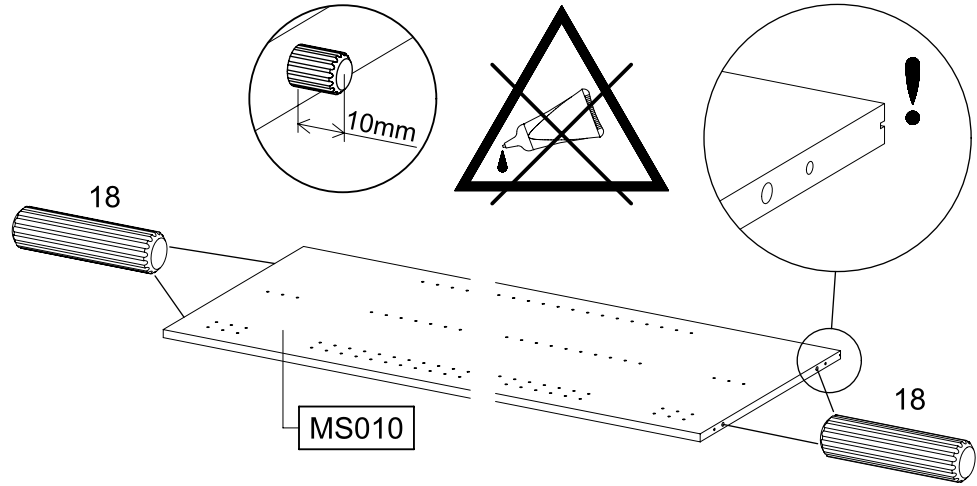


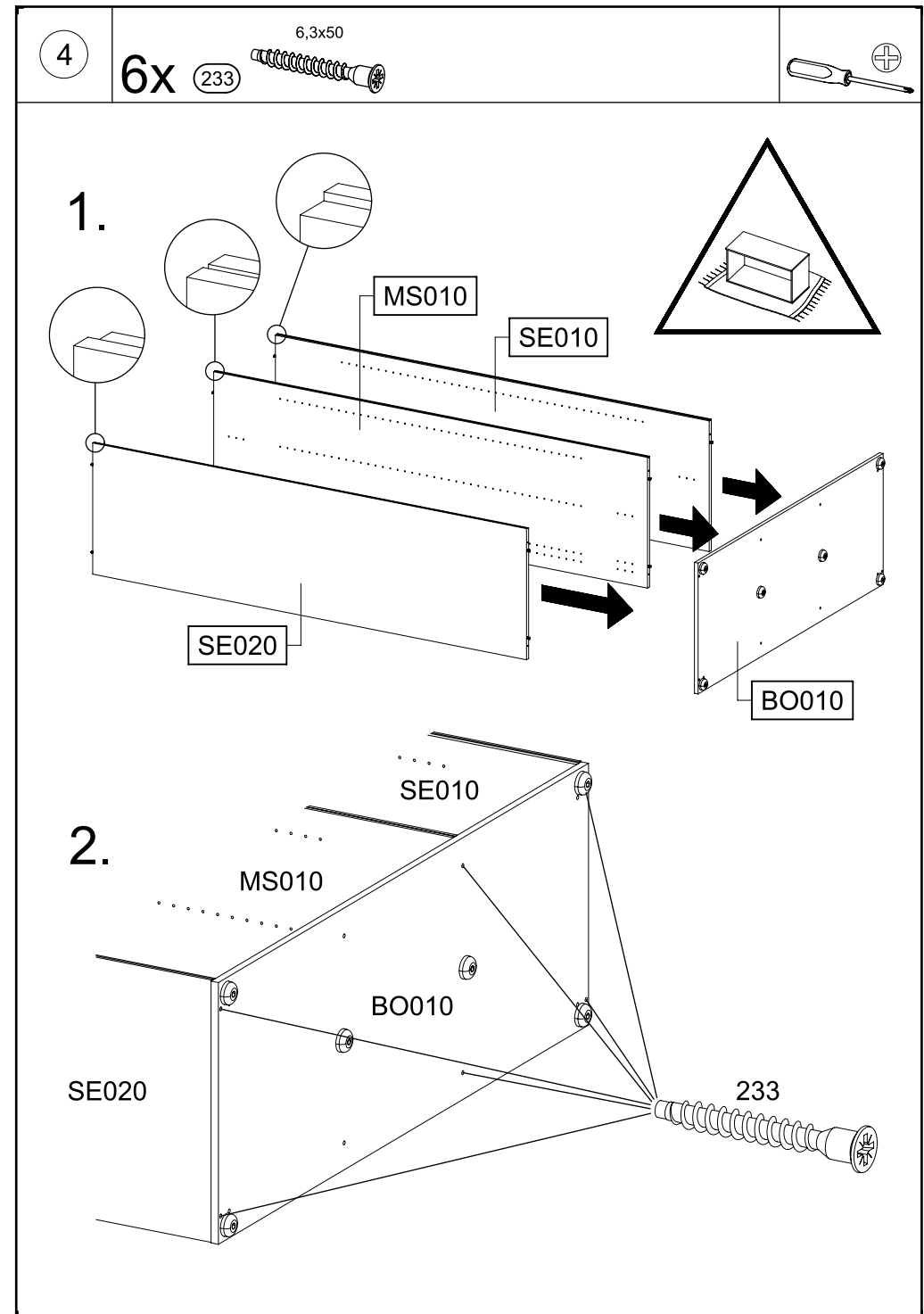
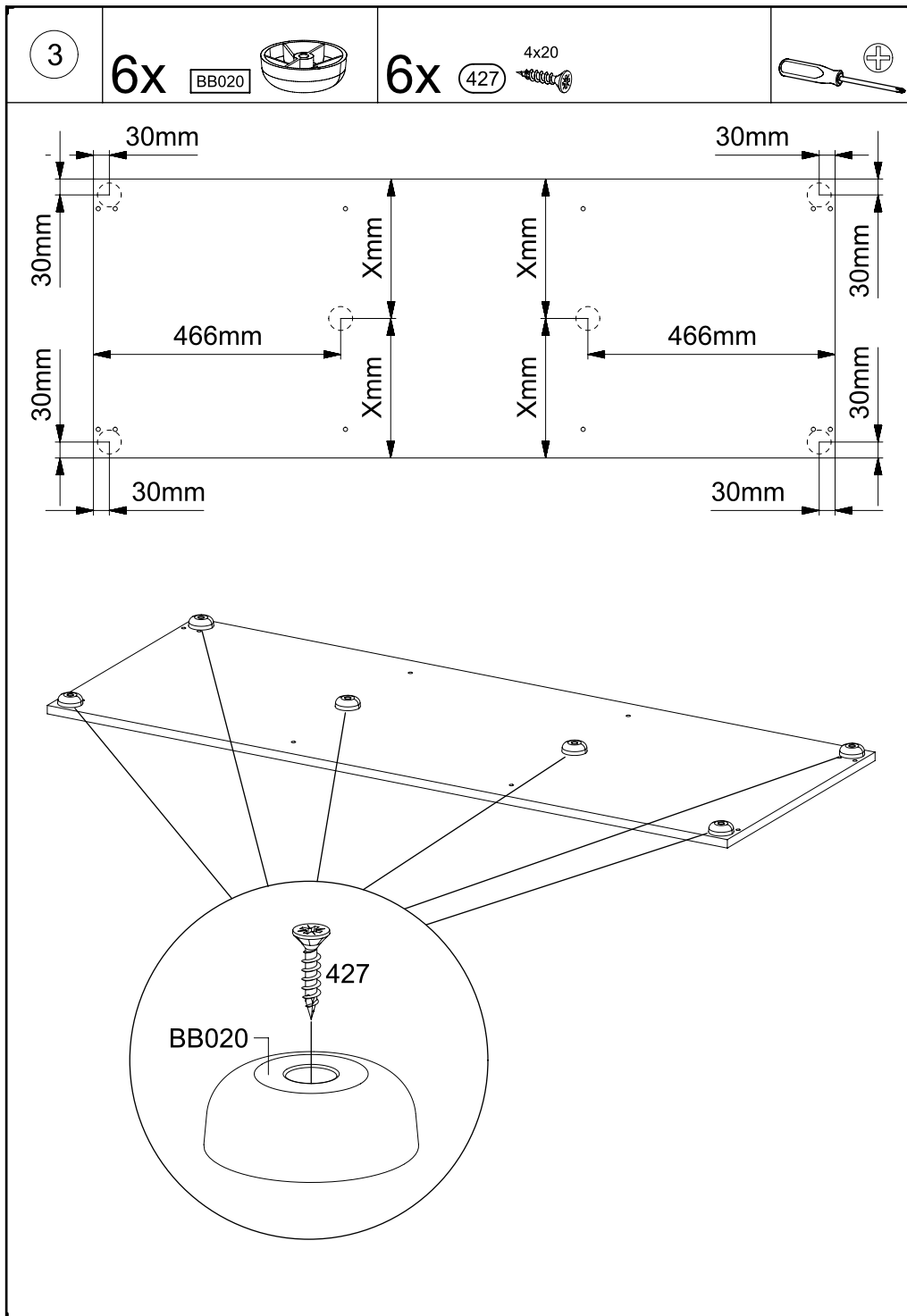
# M2992\_01

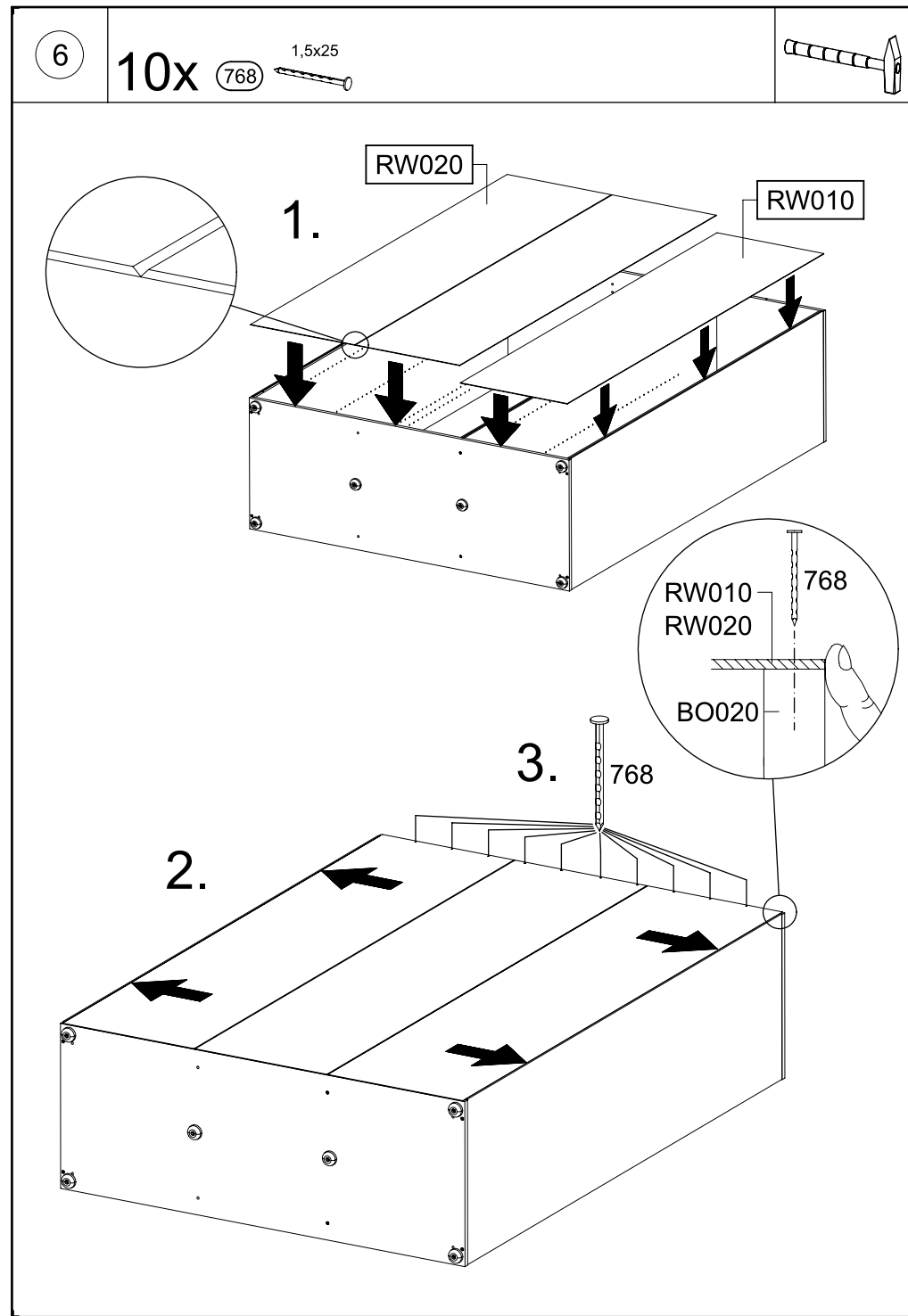
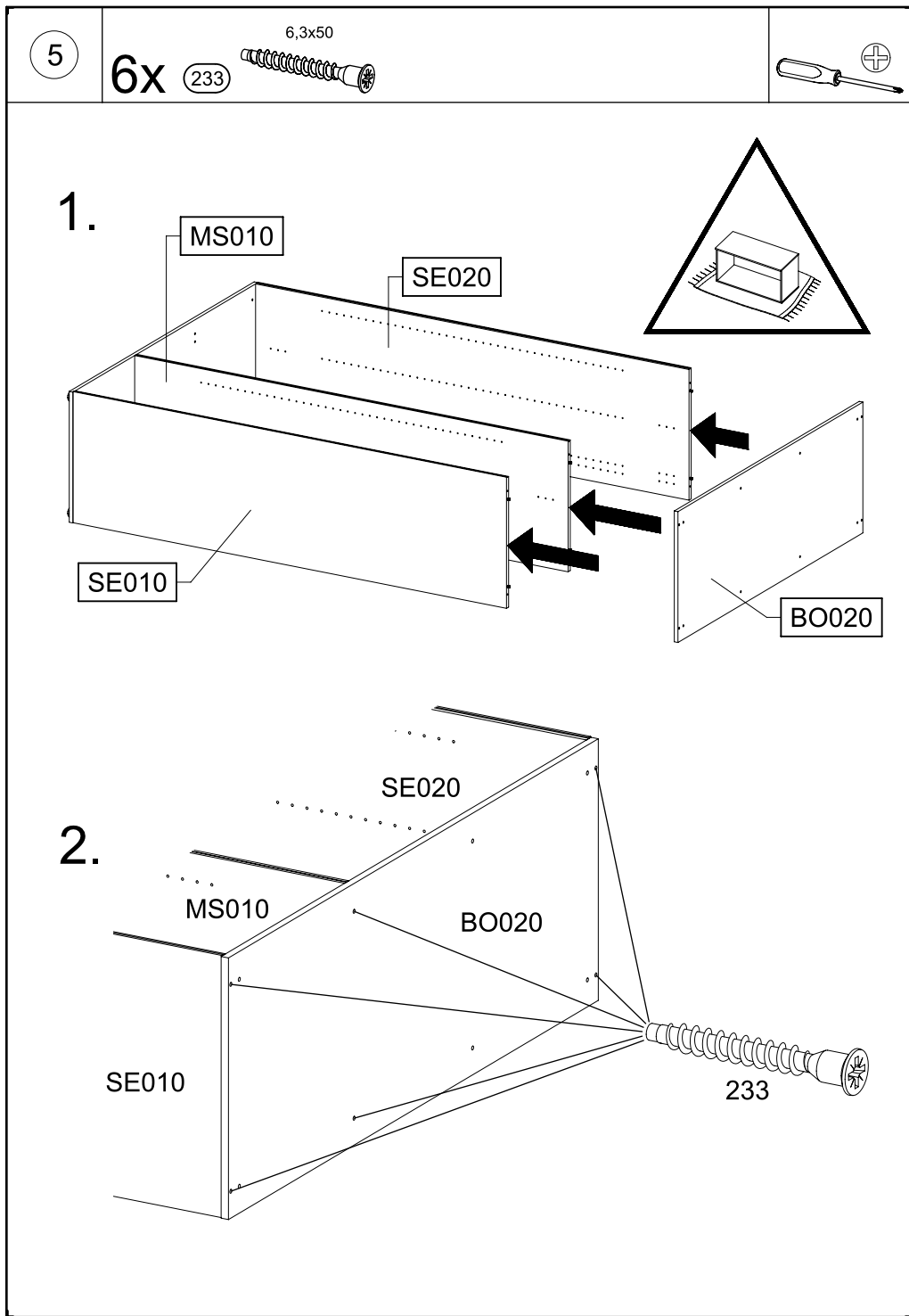




|  |   |  |
|--|---|--|
| <br>11                           | <b>12x</b><br>8x30<br><br>18       | <b>10x</b><br>3x20<br><br>215 |
| <b>12x</b><br>6,3x50<br><br>233 | <b>14x</b><br>Ø8<br><br>405        | <b>8x</b><br>4x20<br><br>427  |
| <b>40x</b><br>1,5x25<br><br>768 | <b>1x</b><br>34x14,5x12<br><br>769 | <b>9x</b><br><br>1375        |
| <b>6x</b><br>BB020<br>          | <b>2x</b><br>6,5x12<br><br>779     | <b>4x</b><br>4x15<br><br>201  |
| <b>3x</b><br>1331<br>           |   |  |
|                               |   |  |

|  |  |   |
|--|--|---|
| <b>1</b>   | <b>8x</b> 18 8x30<br> |   |
|   |  |   |
| <b>2</b>   | <b>4x</b> 18 8x30<br> |  |
|  |  |   |



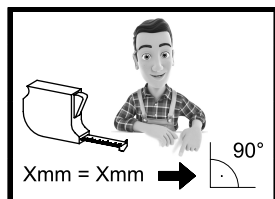
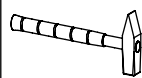
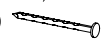


7

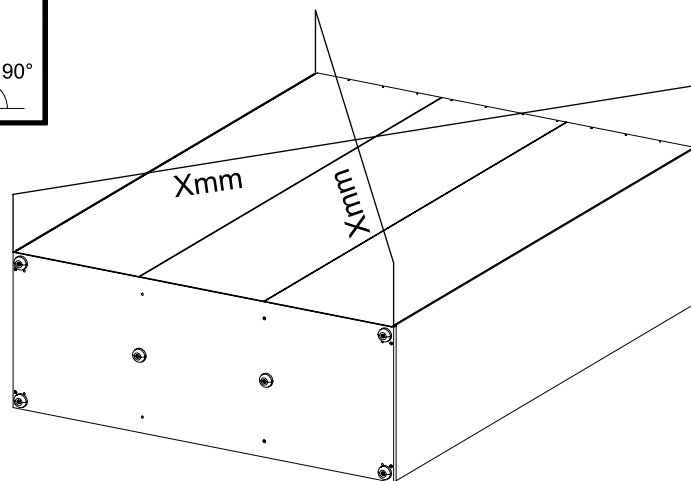
10x

768

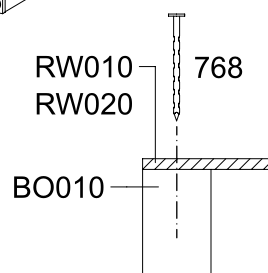
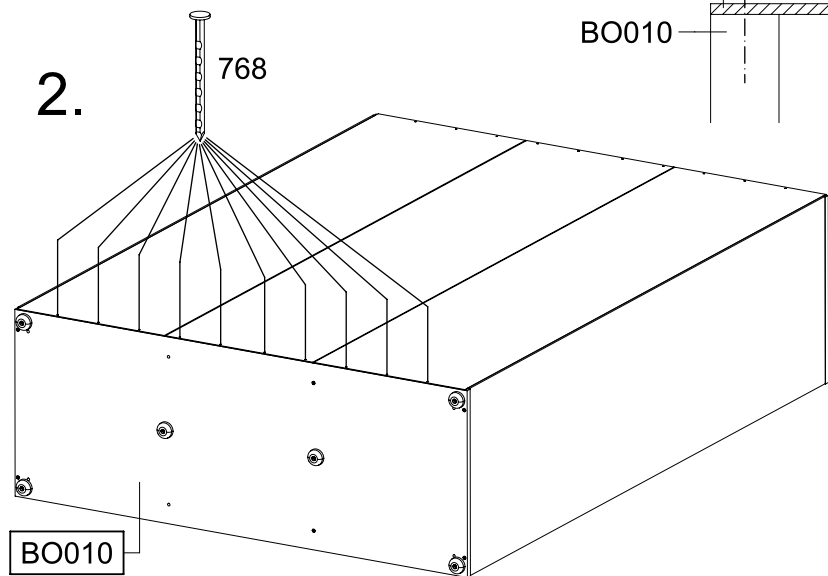
1,5x25



1.



2.

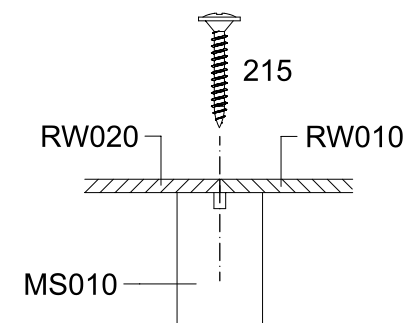
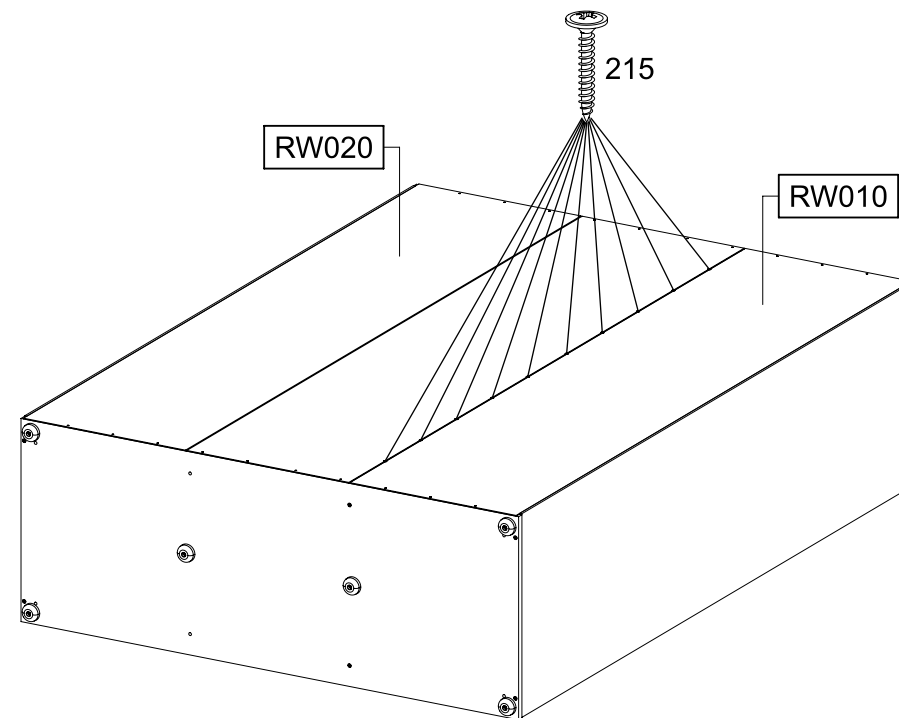
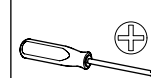


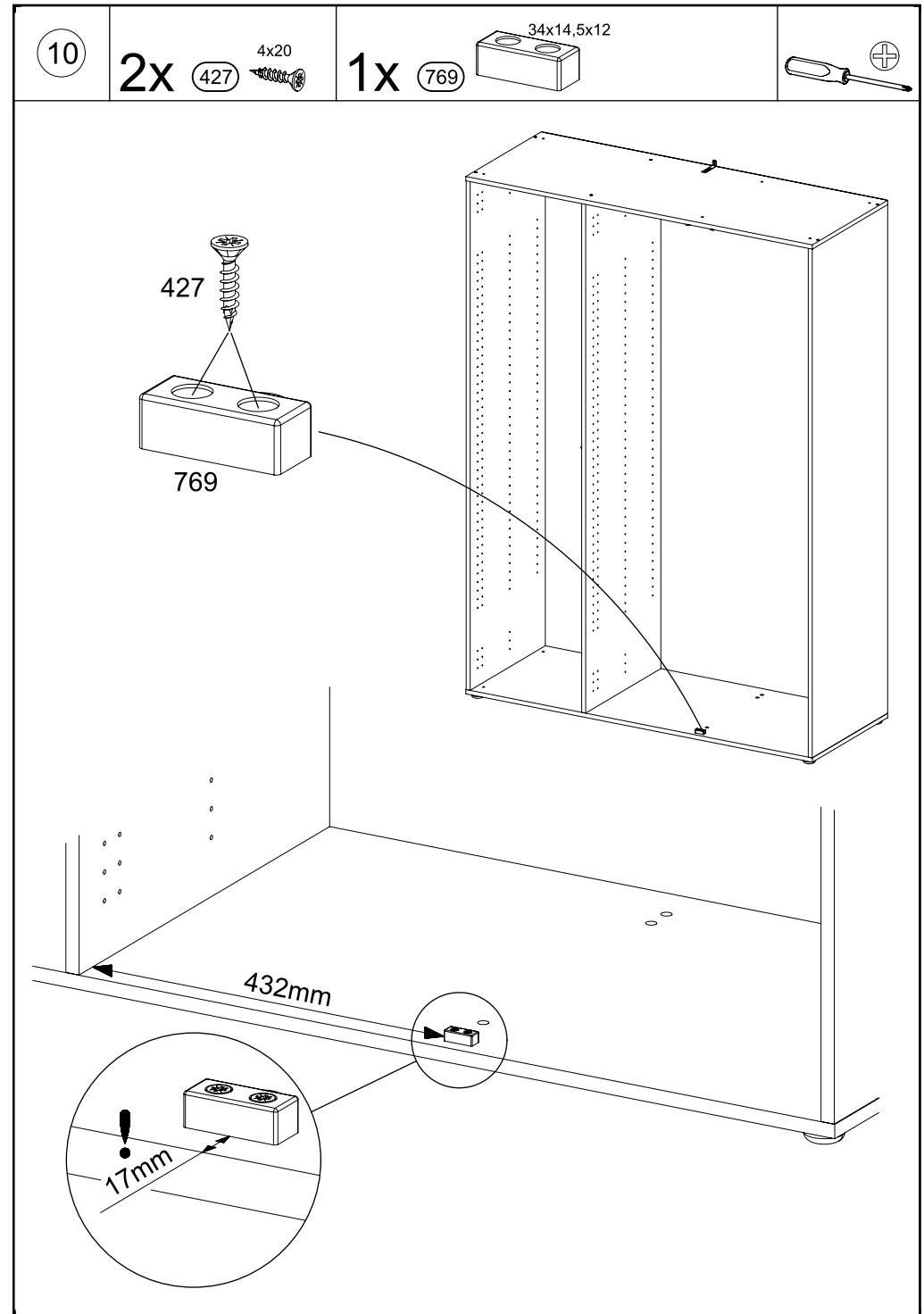
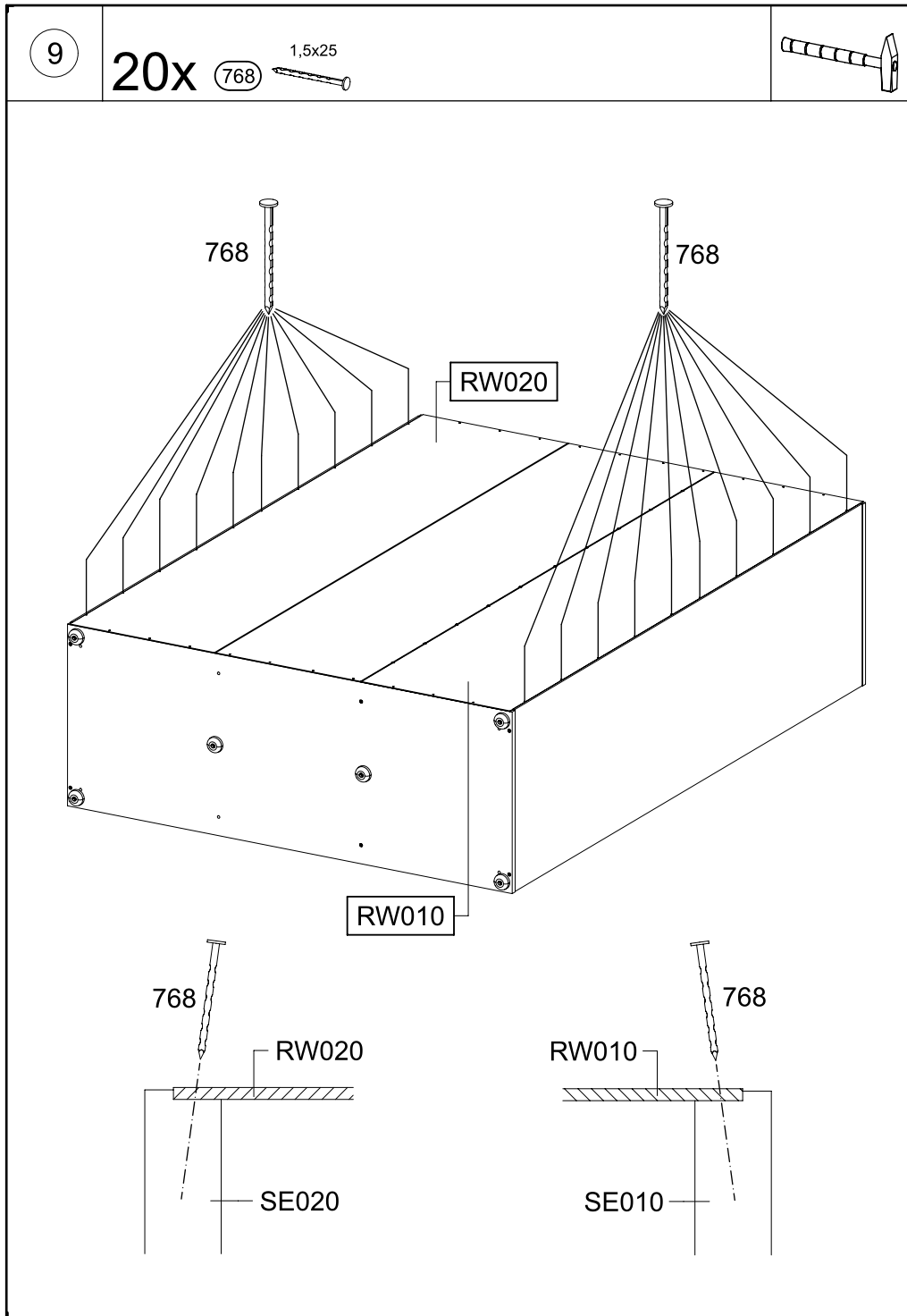
8

10x

215

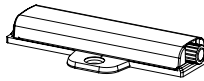
3x20





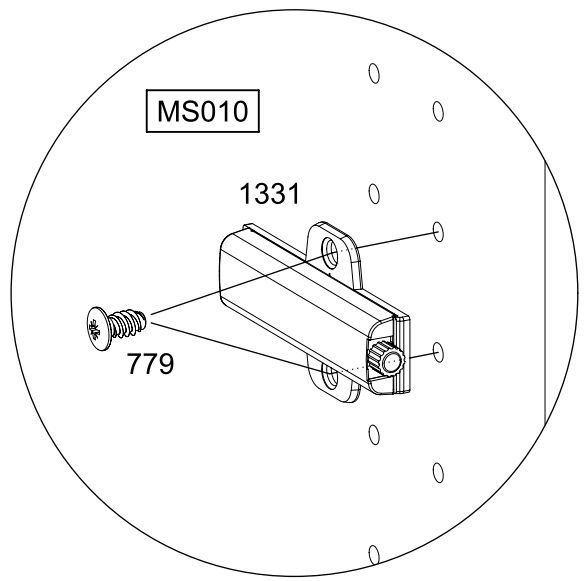
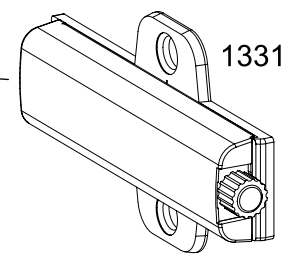
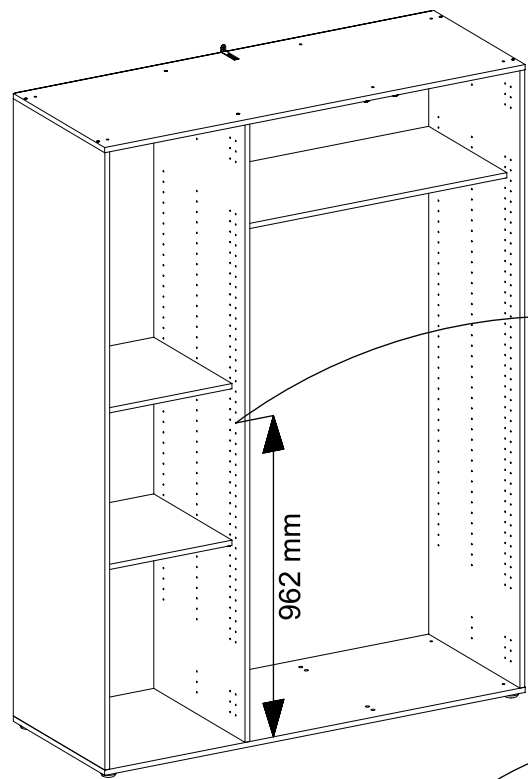
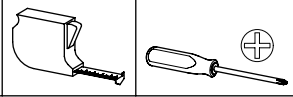
11

1x 1331



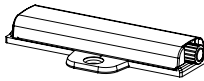
2x 779

6,5x12



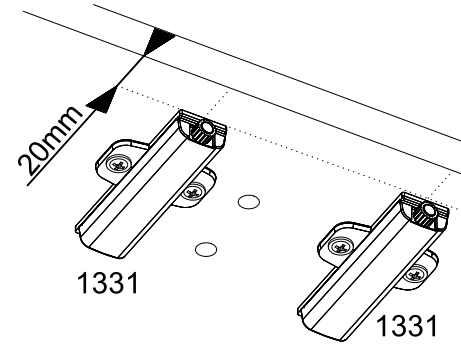
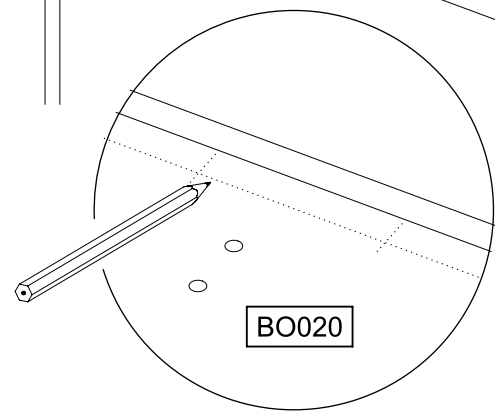
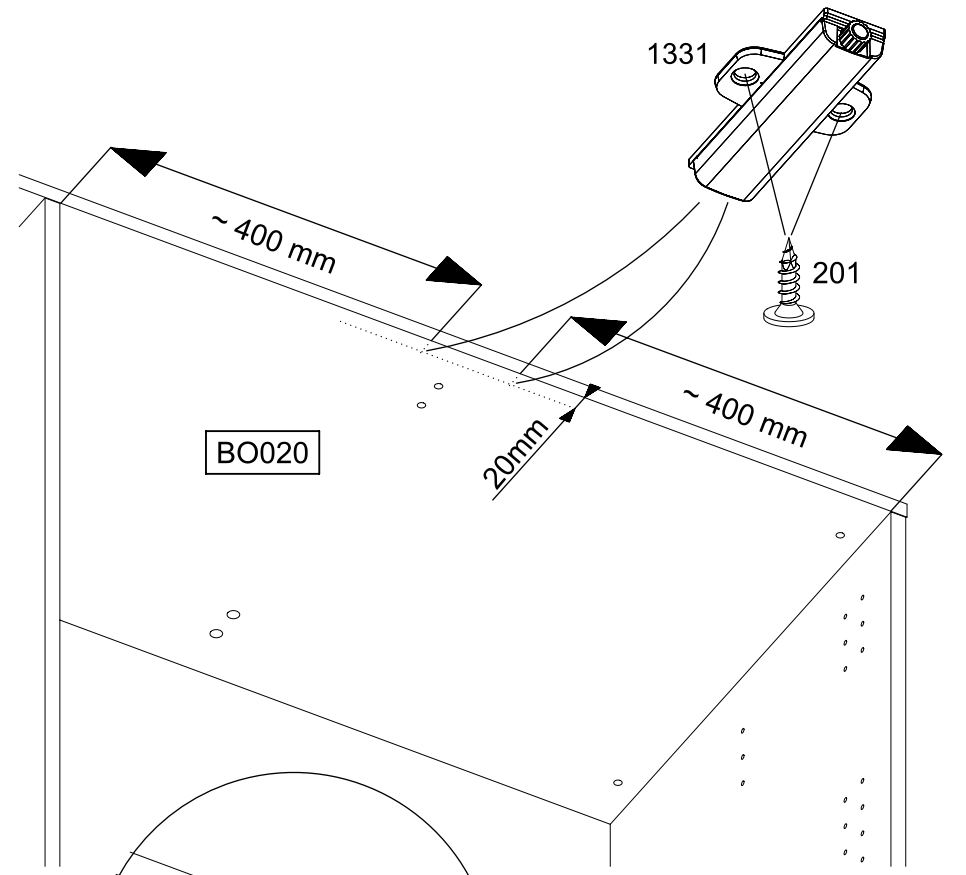
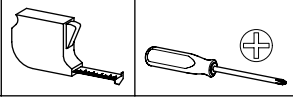
12

2x 1331

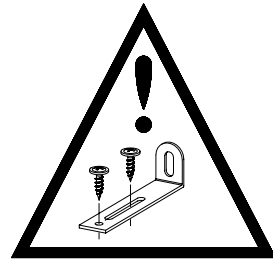
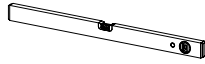
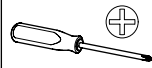


4x 201

4x15



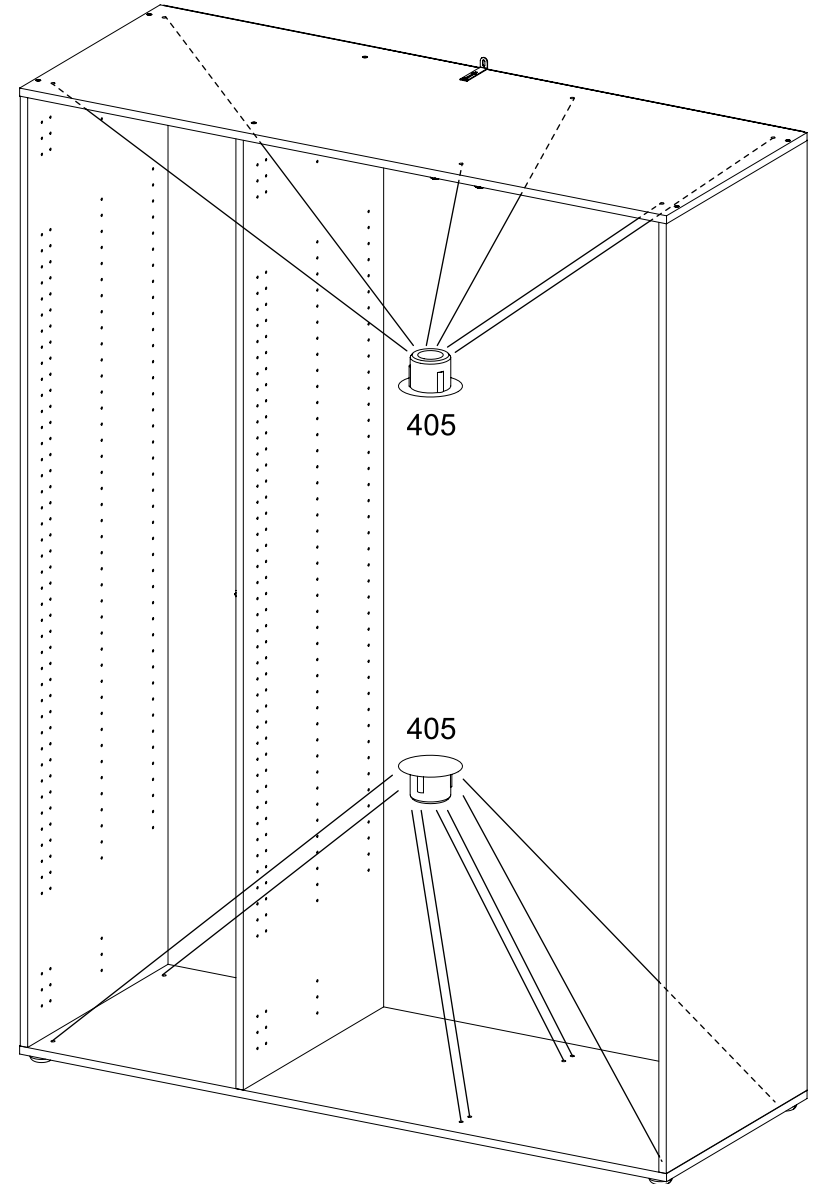
13



14

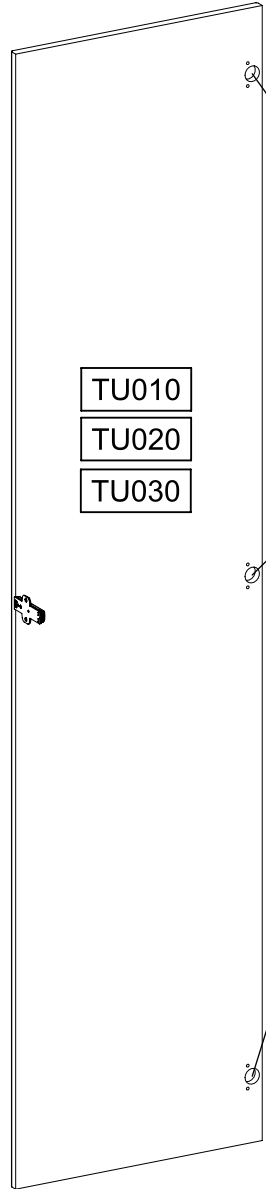
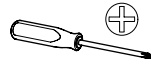
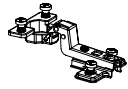
14x

405

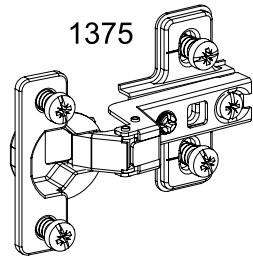


15

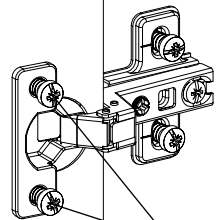
9x 1375



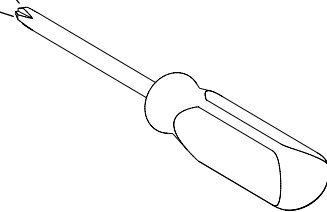
1.



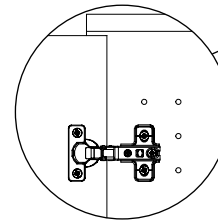
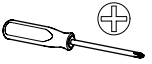
TU010  
TU020  
TU030



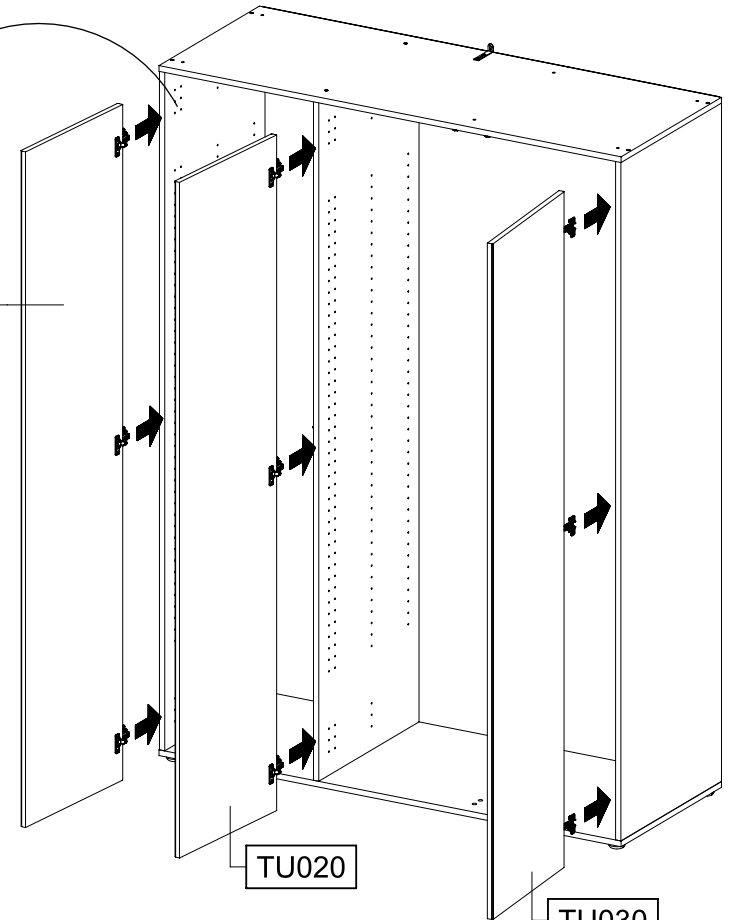
2.



16



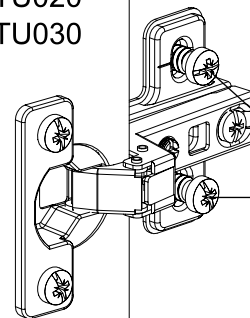
TU010



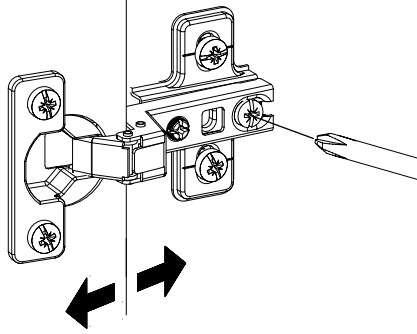
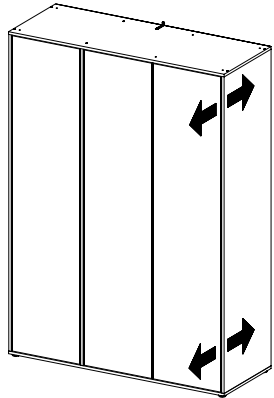
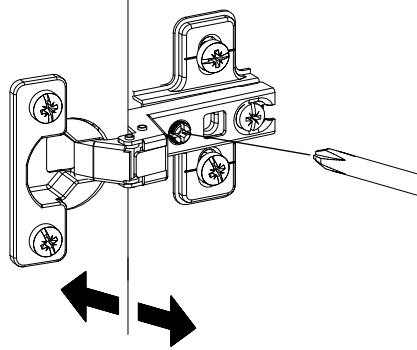
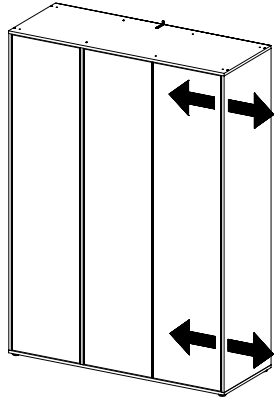
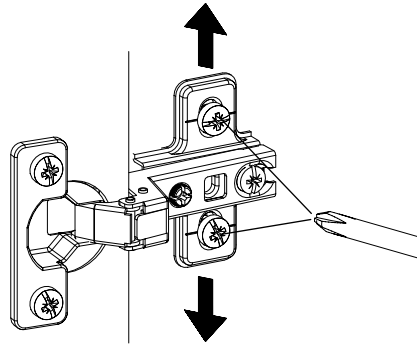
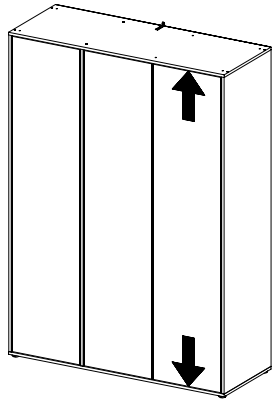
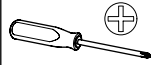
TU020

TU030

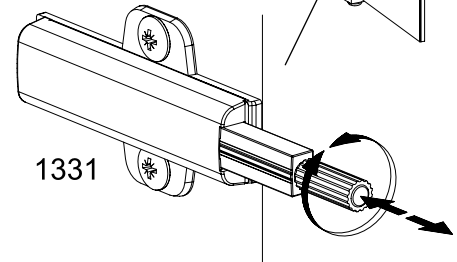
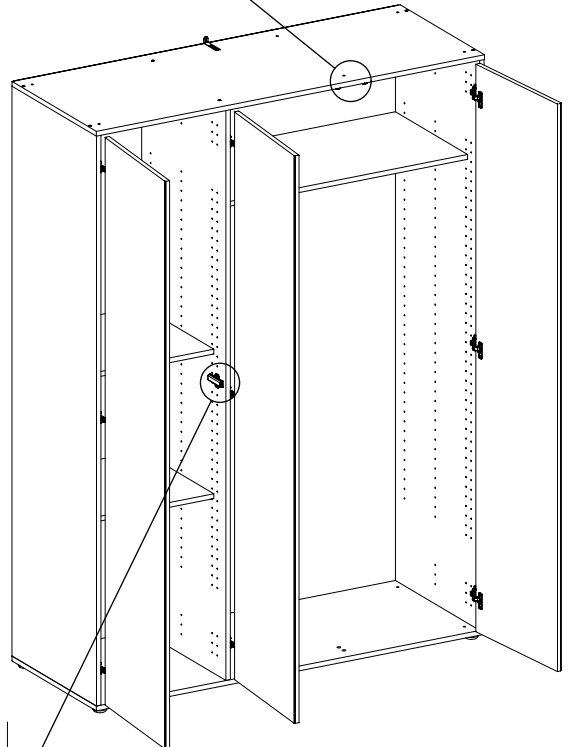
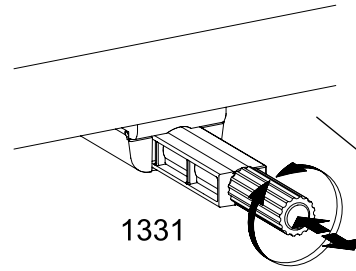
TU010  
TU020  
TU030

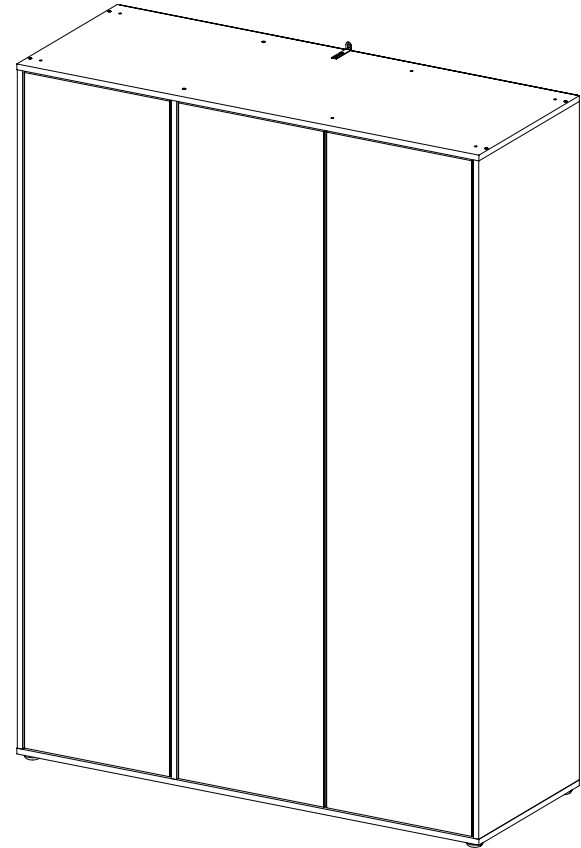
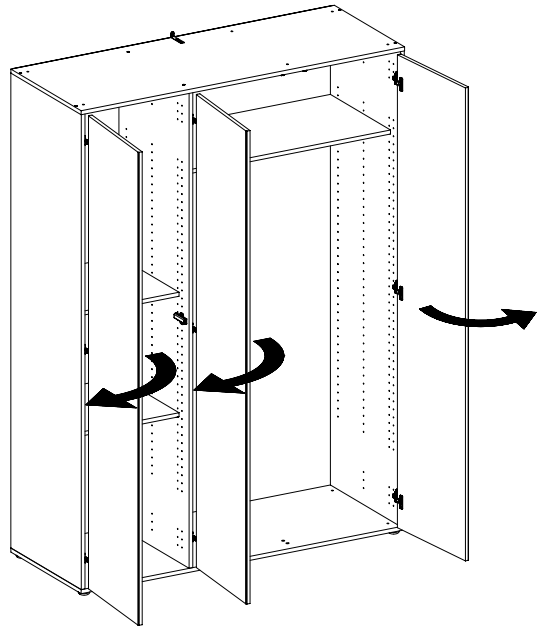
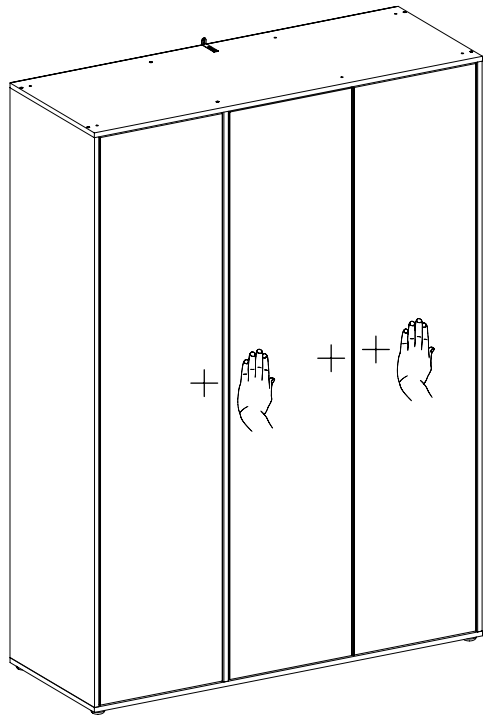


17

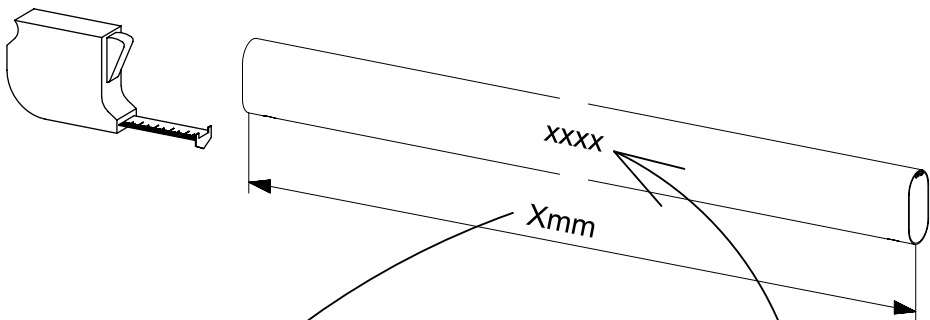
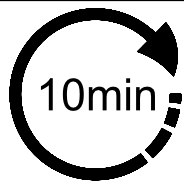
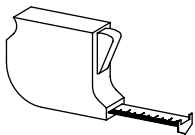
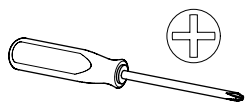


18





# MZ110\_04

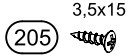



| Xmm    |    | xxxx |
|--------|---|------|
| 393mm  | max. 40kg   | 2000 |
| 426mm  | max. 40kg   | 2001 |
| 538mm  | max. 40kg   | 2011 |
| 563mm  | max. 40kg   | 2002 |
| 650mm  | max. 40kg   | 2003 |
| 809mm  | max. 40kg   | 2004 |
| 873mm  | max. 40kg   | 2006 |
| 890mm  | max. 40kg   | 2010 |
| 1097mm | max. 40kg   | 2008 |

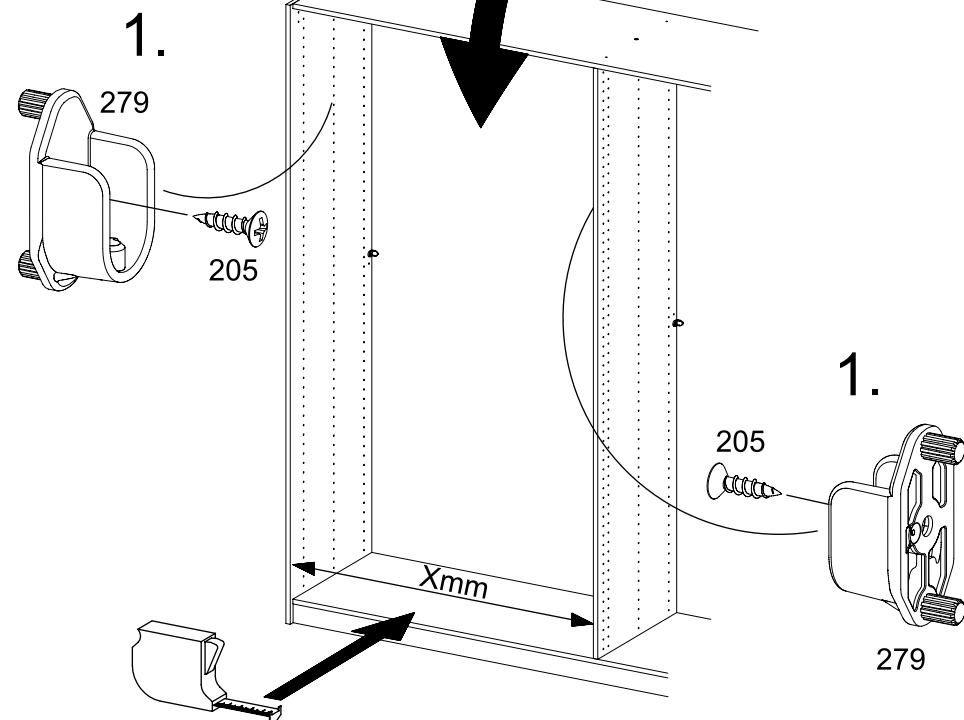
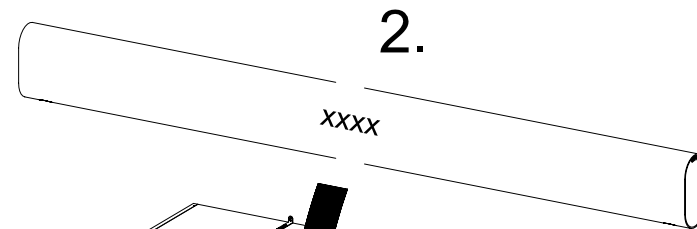
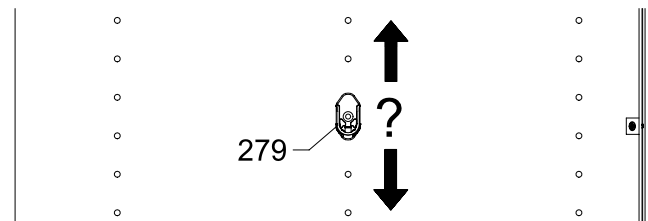
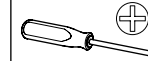
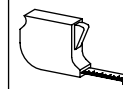


xxxx = 2000, 2001, 2002, 2003, 2004, 2006, 2008, 2010, 2011,

1

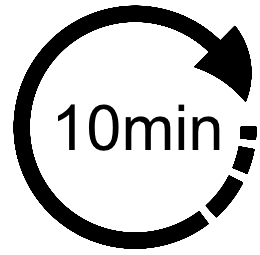
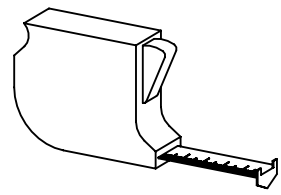
2x  3,5x15

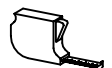
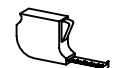

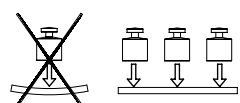
2x  279

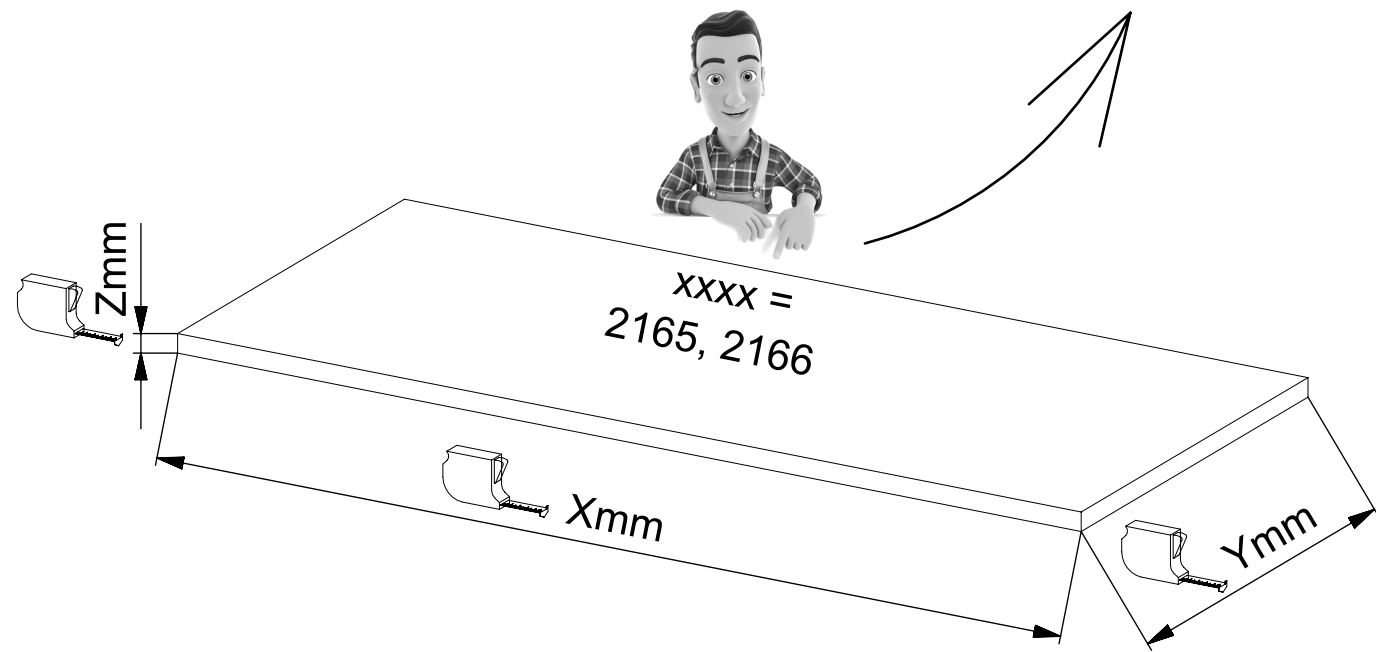


MZ256\_01

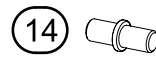
rauch

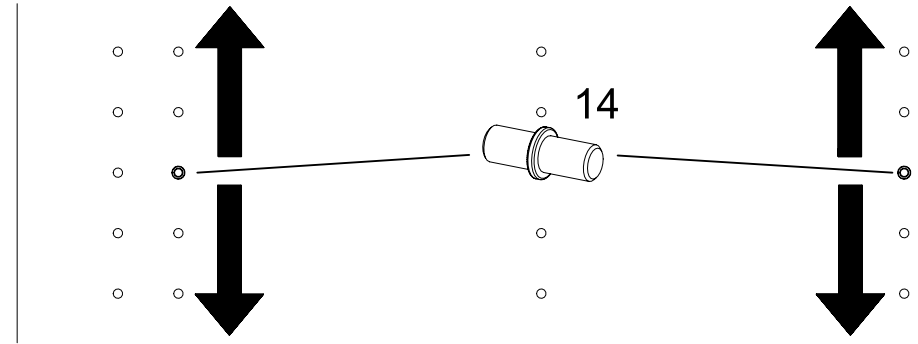
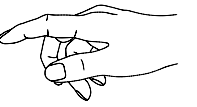


|  Xmm |  Ymm |  Zmm |  | XXXX |
|---|---|---|--|------|
| 450mm   | 450mm   | 16mm  | max. 10kg  | 2165 |
| 898mm   | 450mm   | 16mm  | max. 10kg  | 2166 |



1

4x  14



2.

