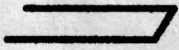
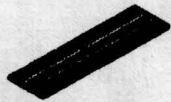


# 55816

1 X2PCS



2 X5PCS



A X20PCS



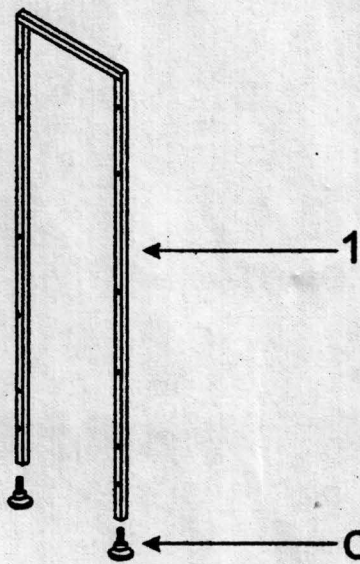
B X1PC



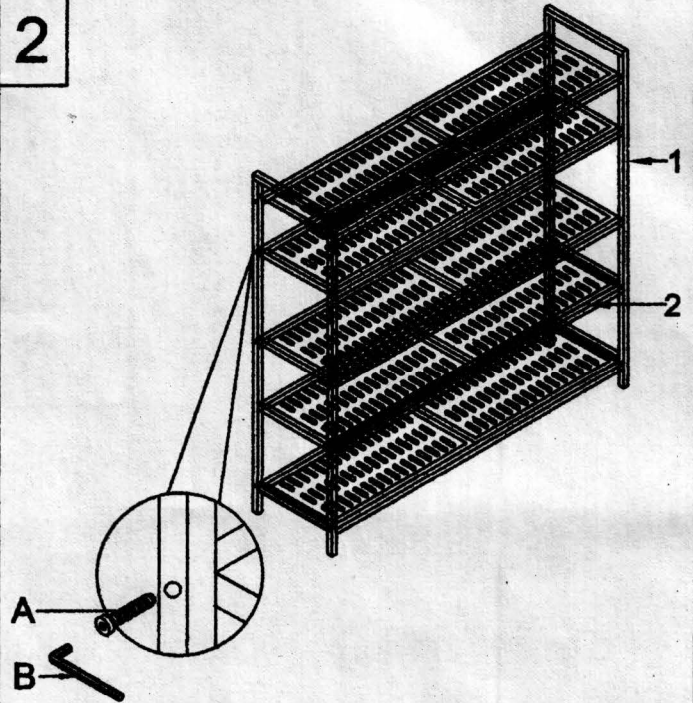
C X4PCS



1



2



3

