















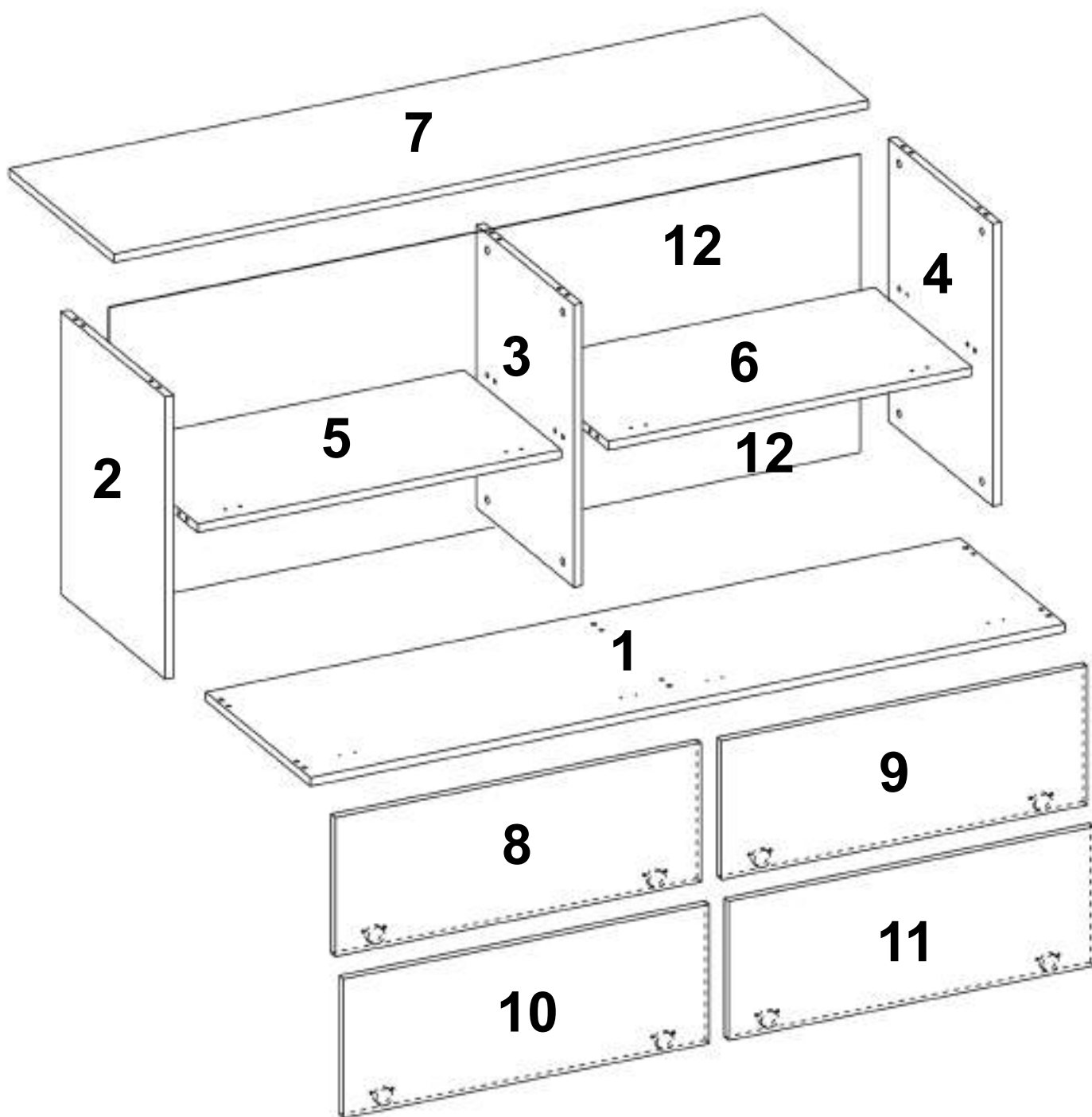


Obývací sestava se stolkem ONOL 2



 B0501 x16	 B0502 x20	 B0503 x16	 B0504 x16	 B0301 x32
 B1702 x4	 B0102 x4	 B0103 x4	 B0105 x8	 B0307 x8
 B0203 x4	 B0324 x8	 D0808 x2	 B0509 x4	 B0506 x2
 B0318 x35				





B0502



X4

B0503



X4

B0504



X4

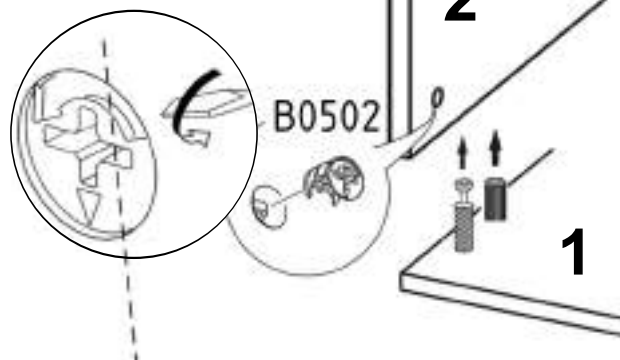
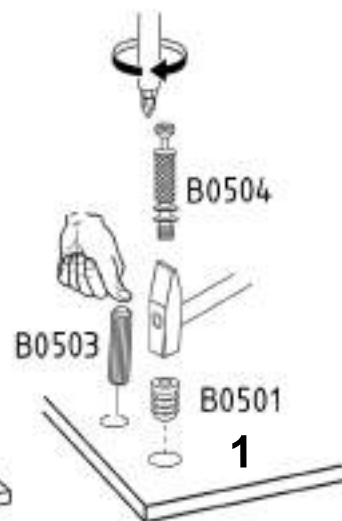
B0501



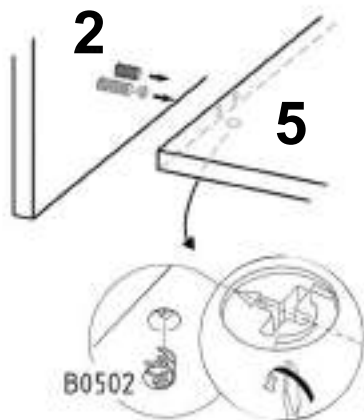
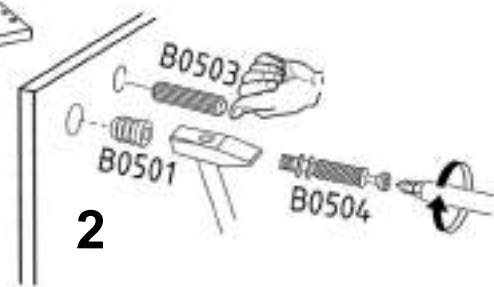
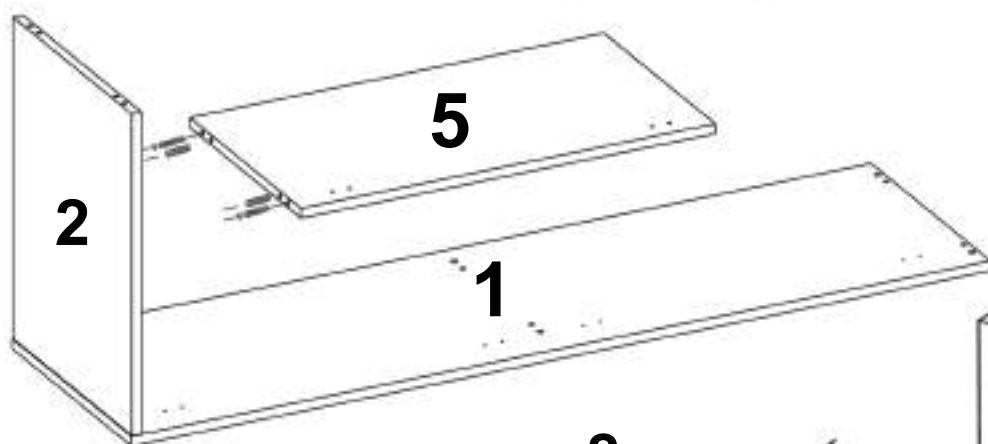
X4



1



2



2



B0502



x6

B0503



x2

B0504



x2

B0501



x2

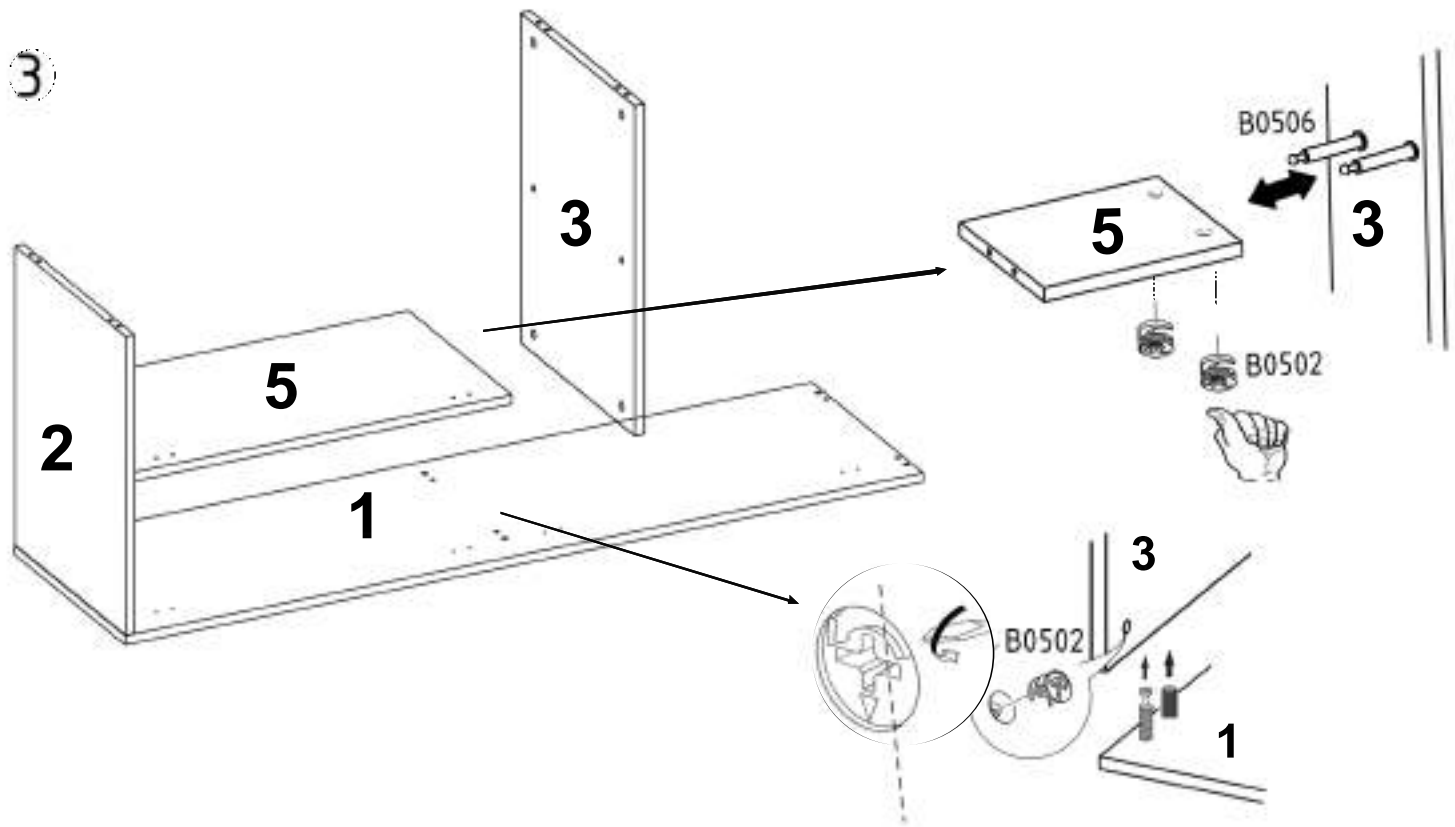
B0506



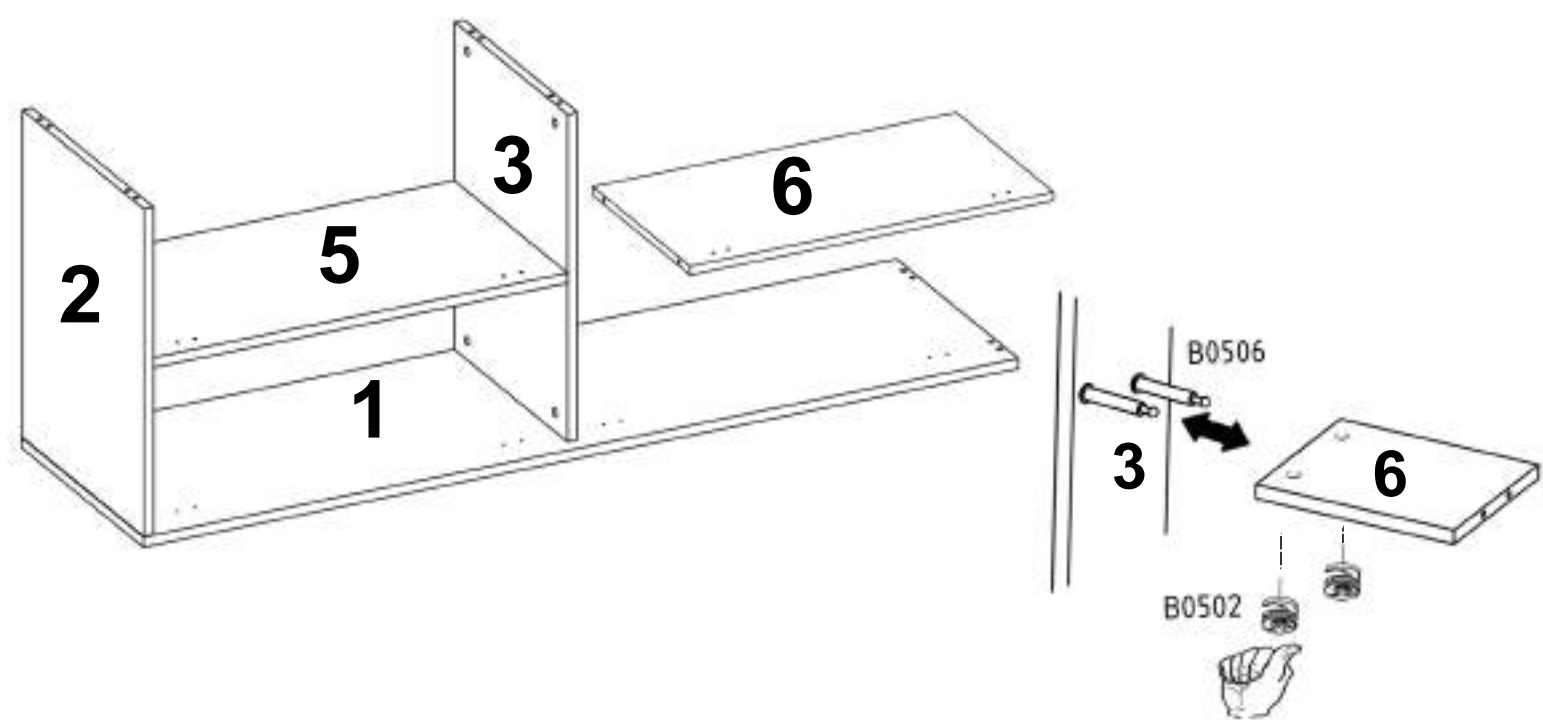
x2



3



4



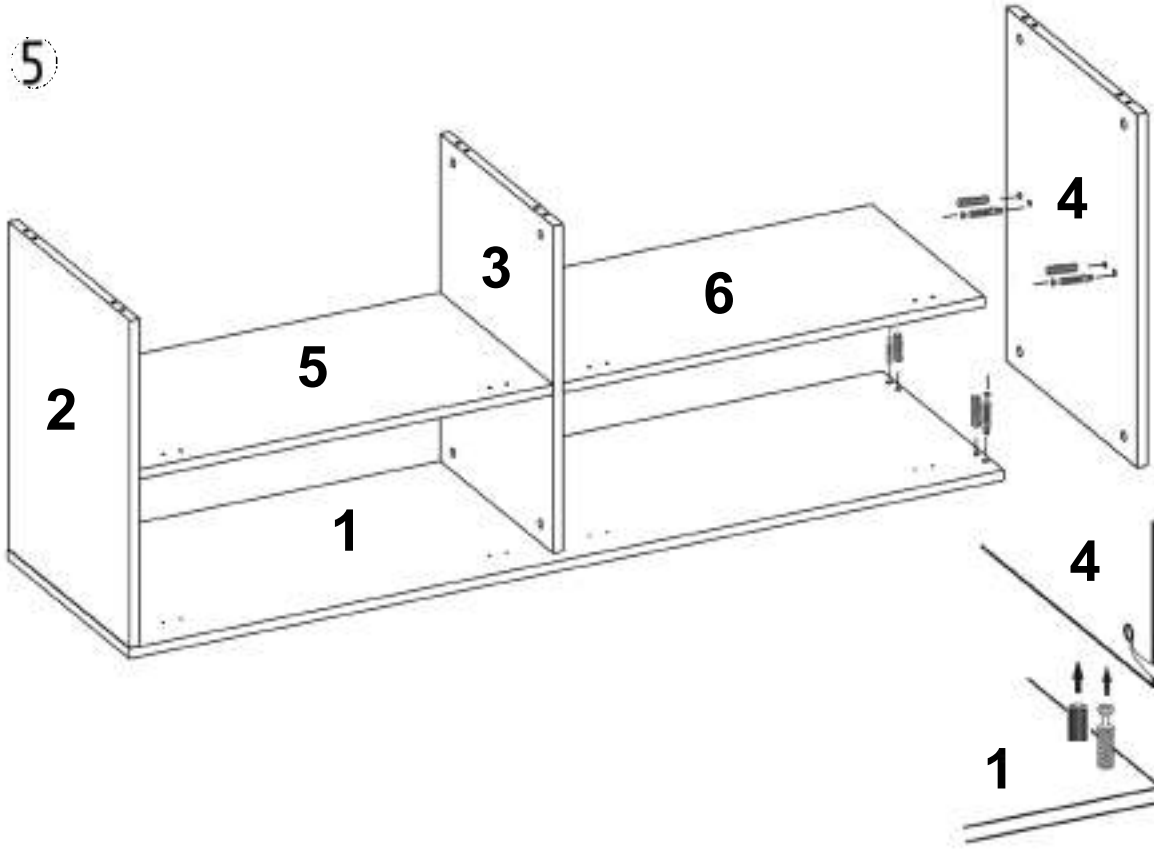
3



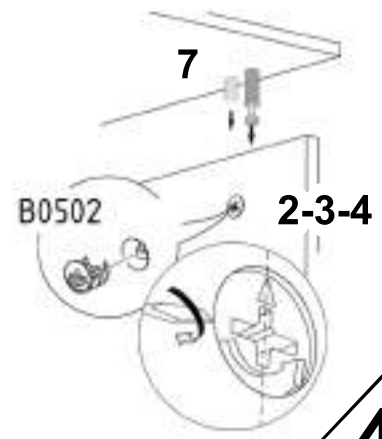
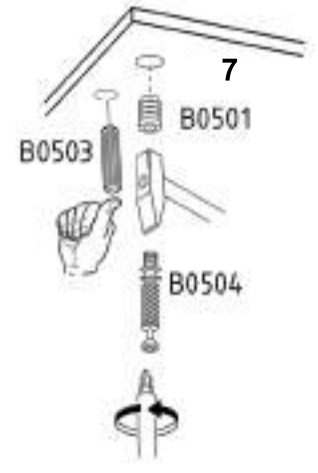
- B0502 x10
- B0503 x10
- B0504 x10
- B0501 x10



5



6



4



B0324

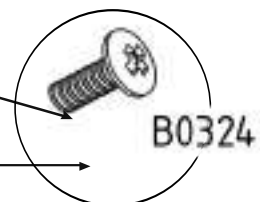
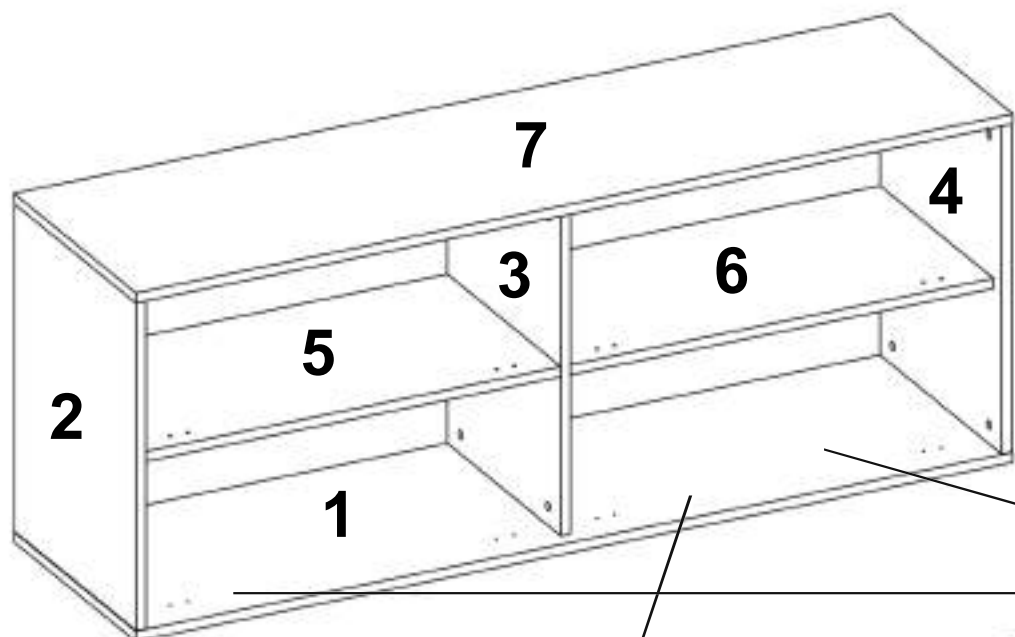
D0808



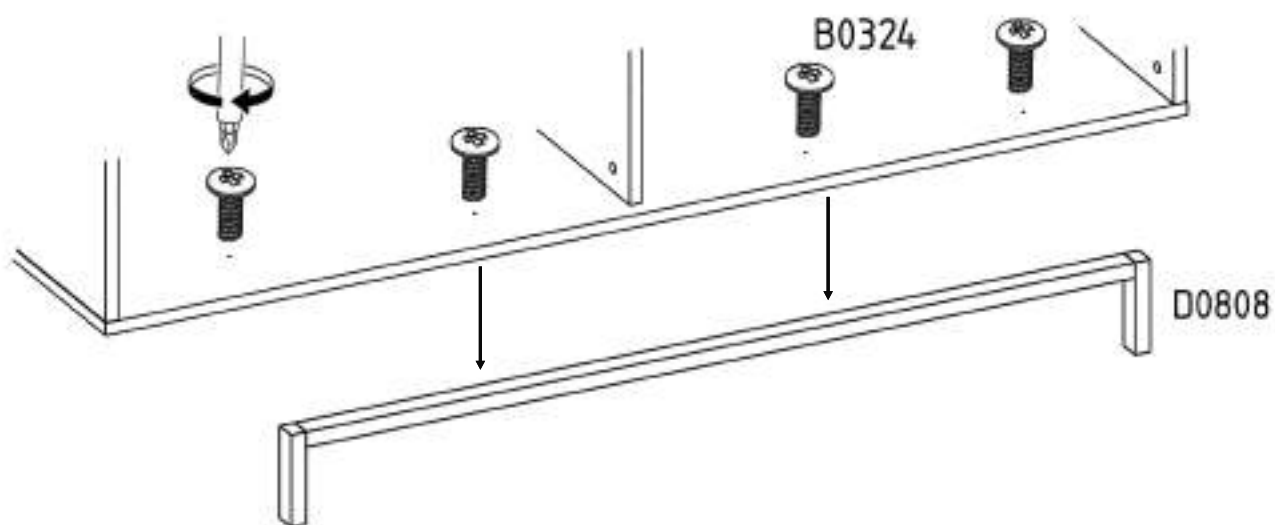
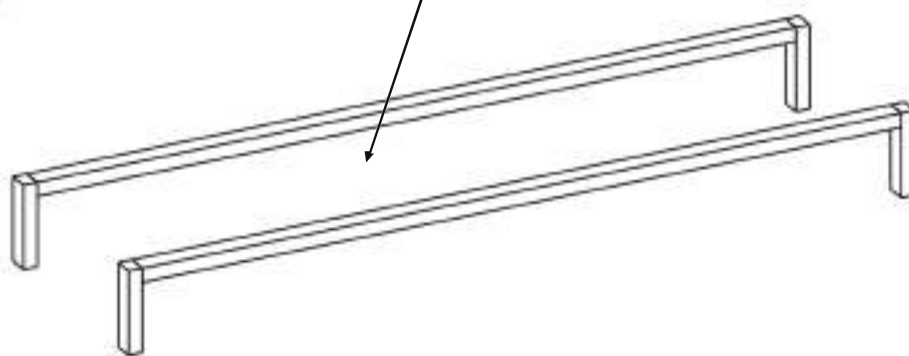
x8

x2

7



D0808





B0301
x32

B0103
x4

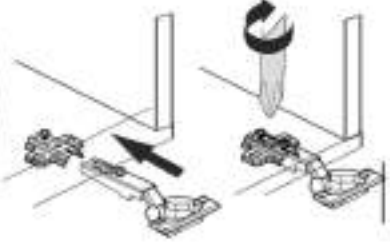
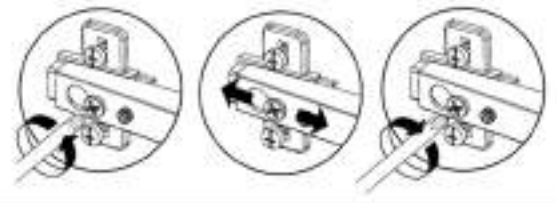
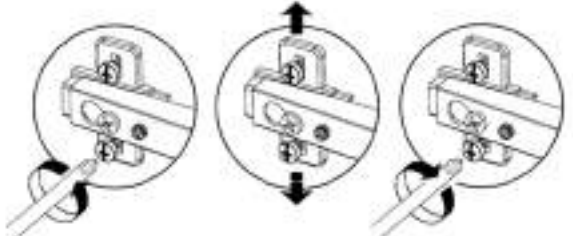
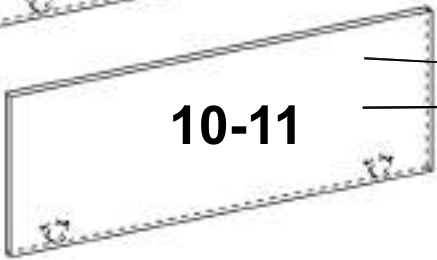
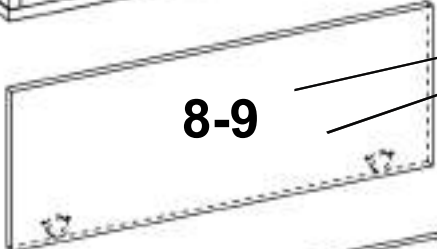
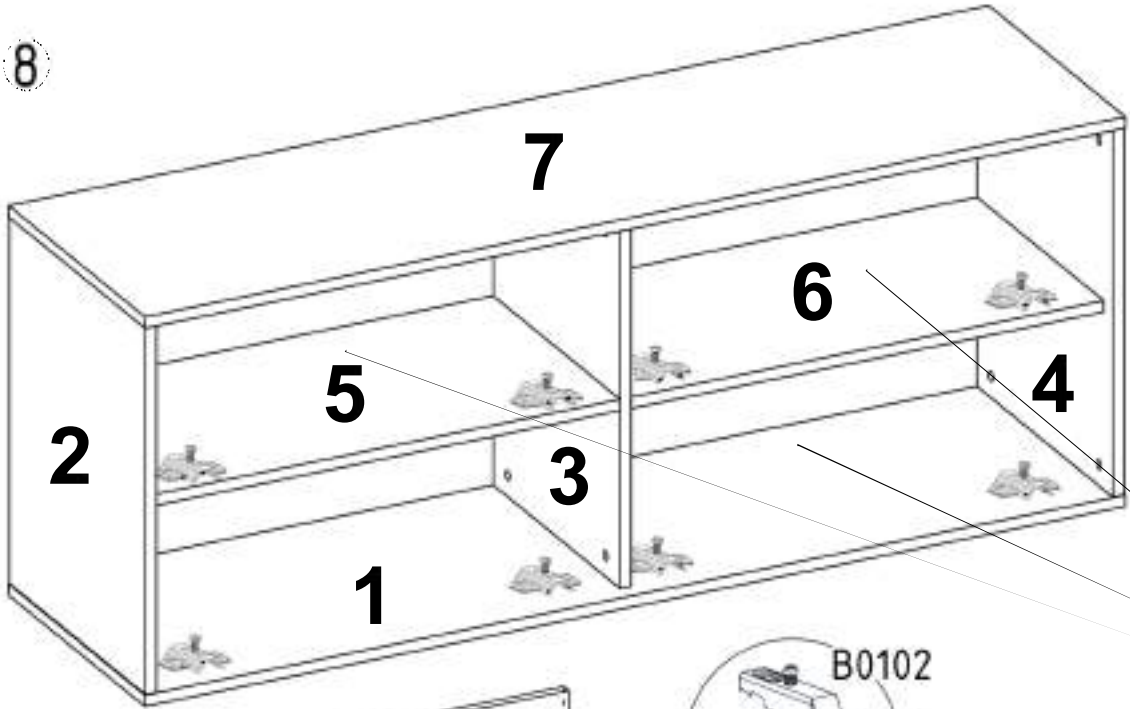
B0105
x8

B0102
x4

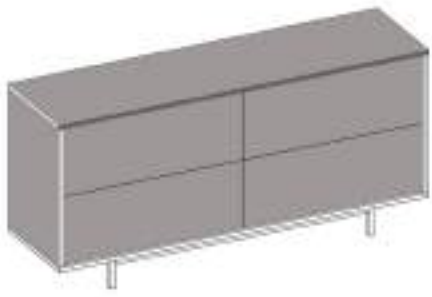
B0509
x4



8



6



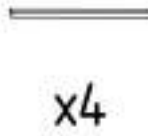
B0307



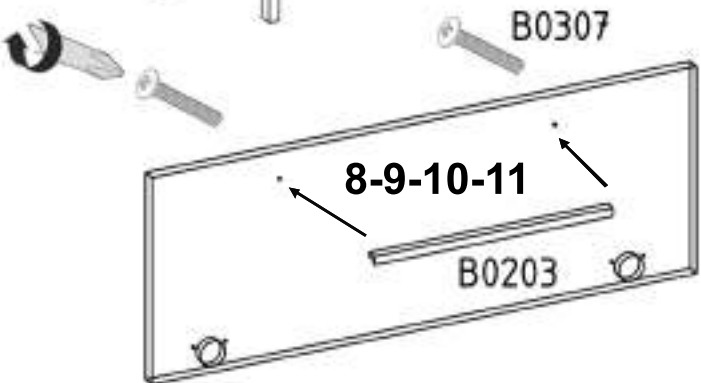
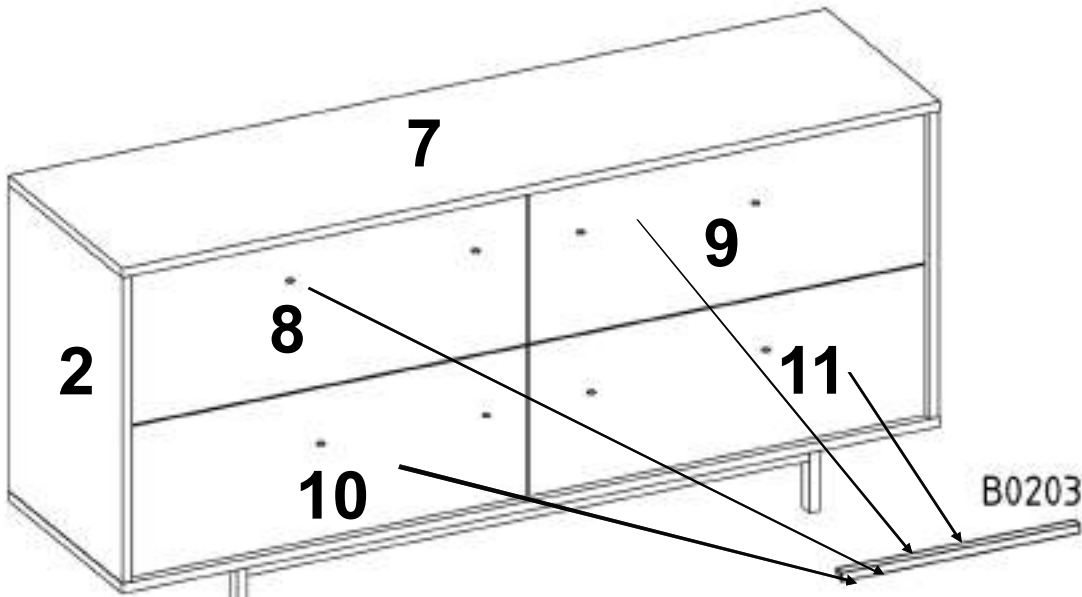
B0318



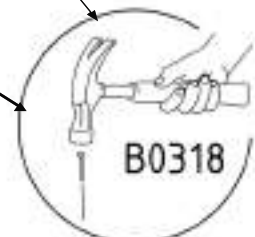
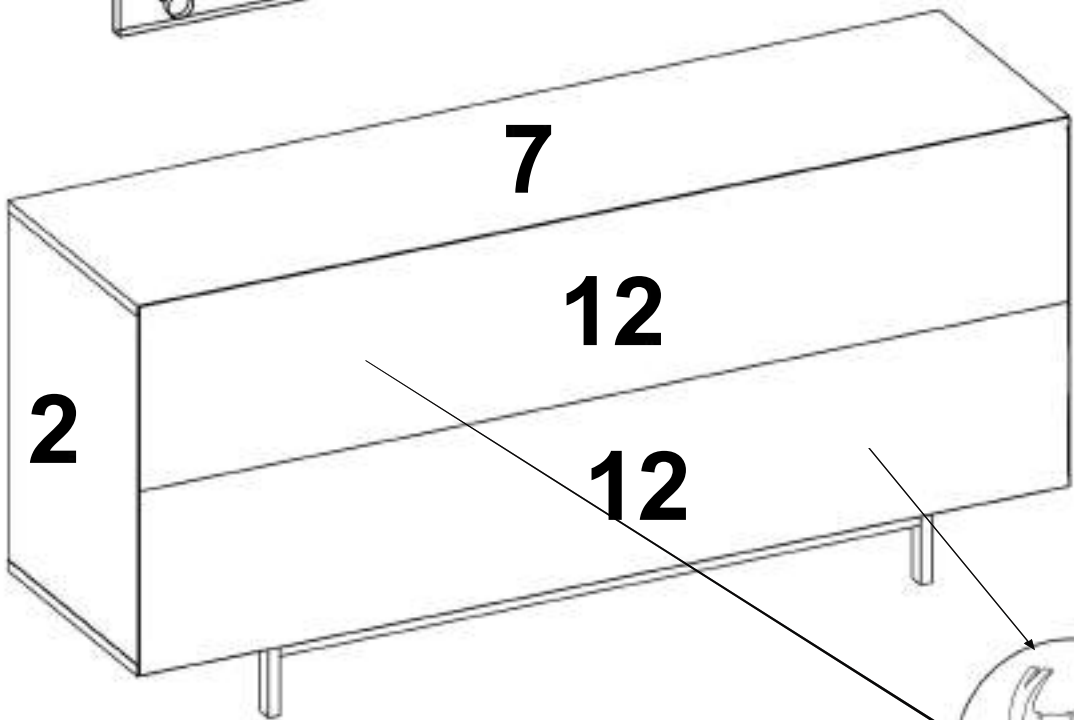
B0203



9



10



7



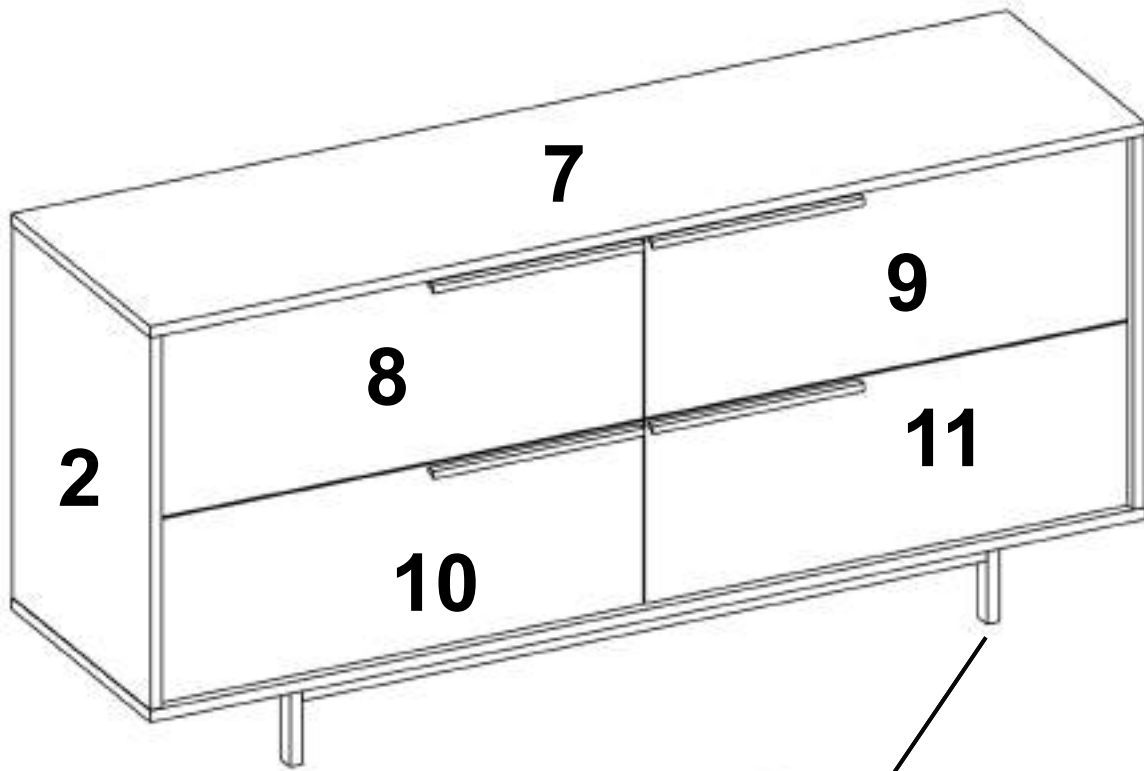
B1702



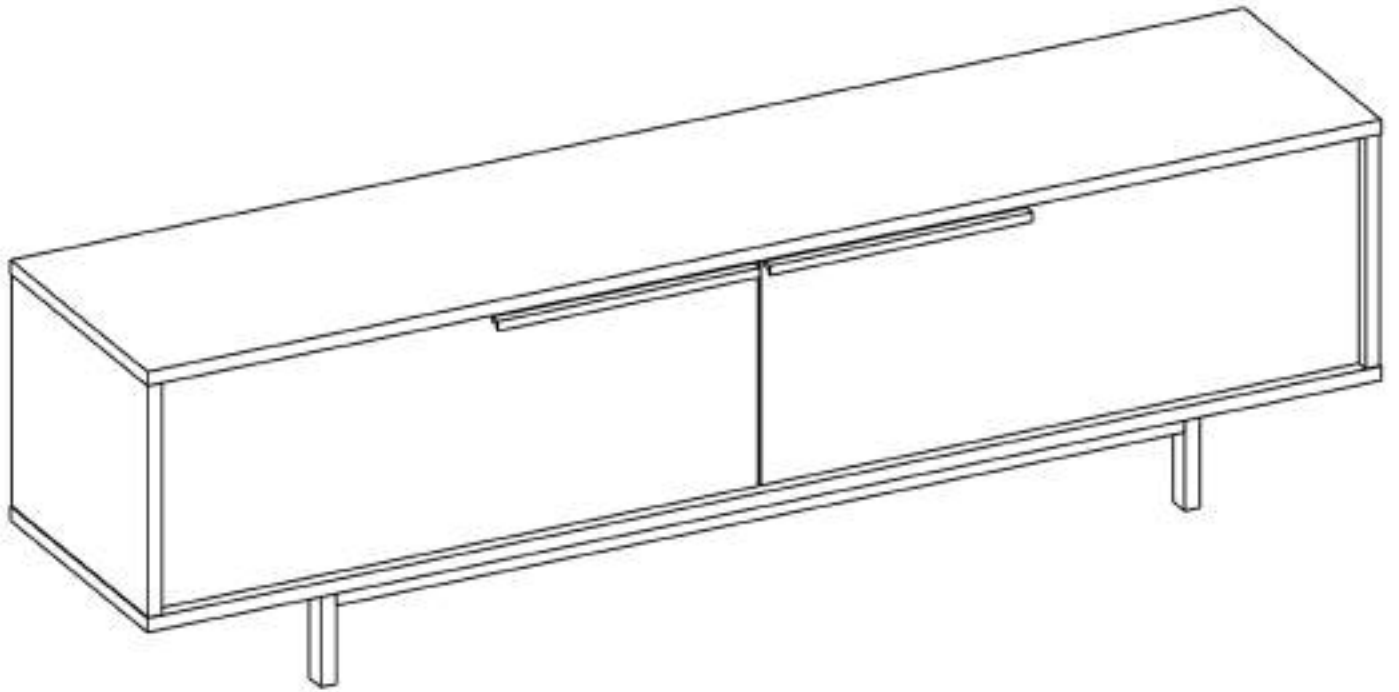
X4
















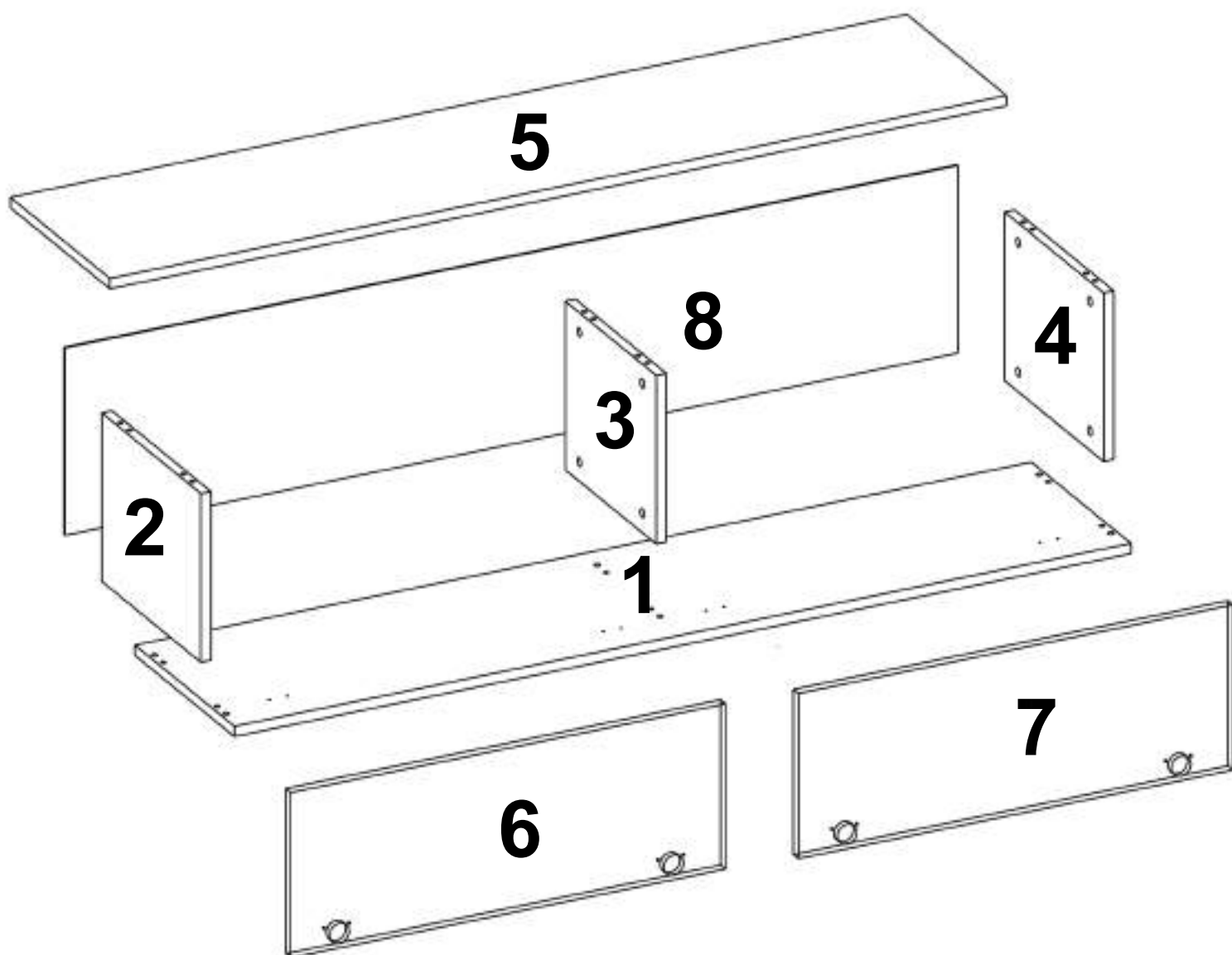
11



ON1



 B0501 x12	 B0502 x12	 B0503 x12	 B0504 x12	 B0301 x16
 B1702 x4	 B0318 x30	 B0103 x4	 B0105 x4	 B0307 x4
 B0203 x2	 B0324 x8	 D0808 x2		





B0502

B0503

B0504

B0501



x12

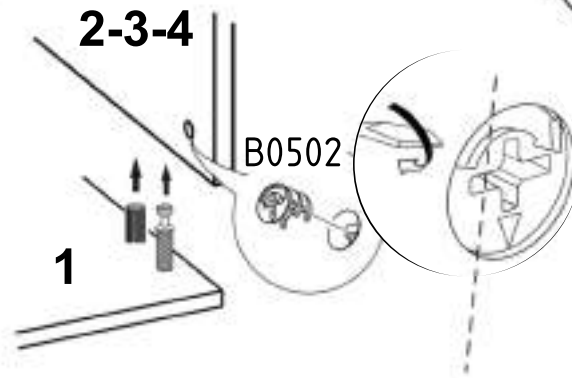
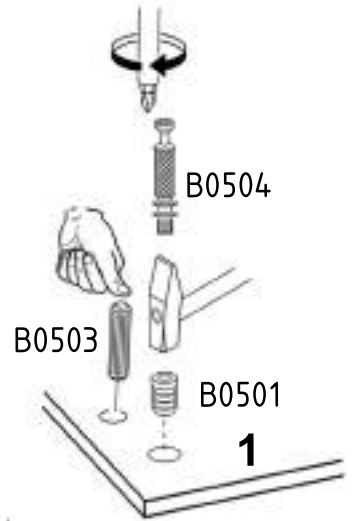
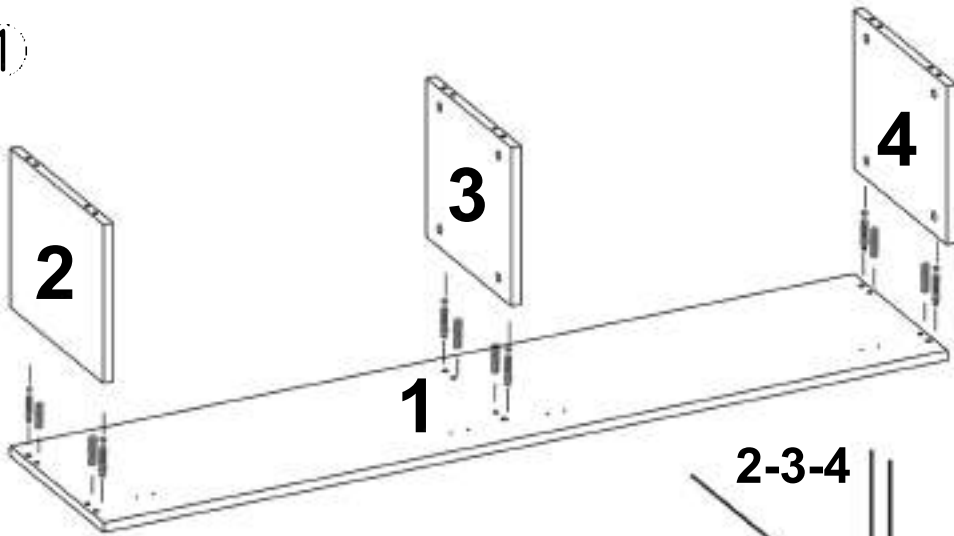
x12

x12

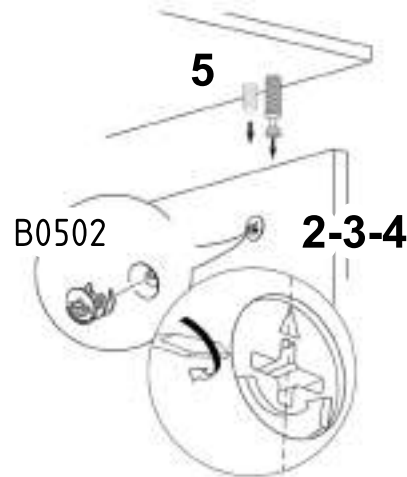
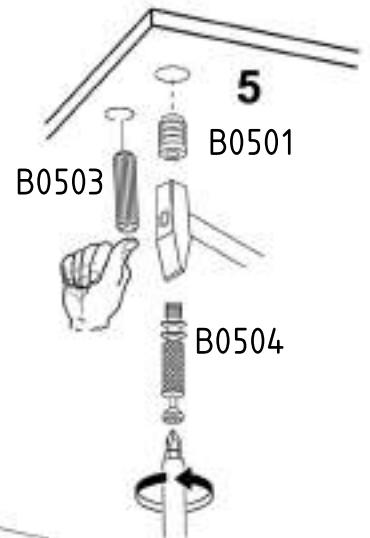
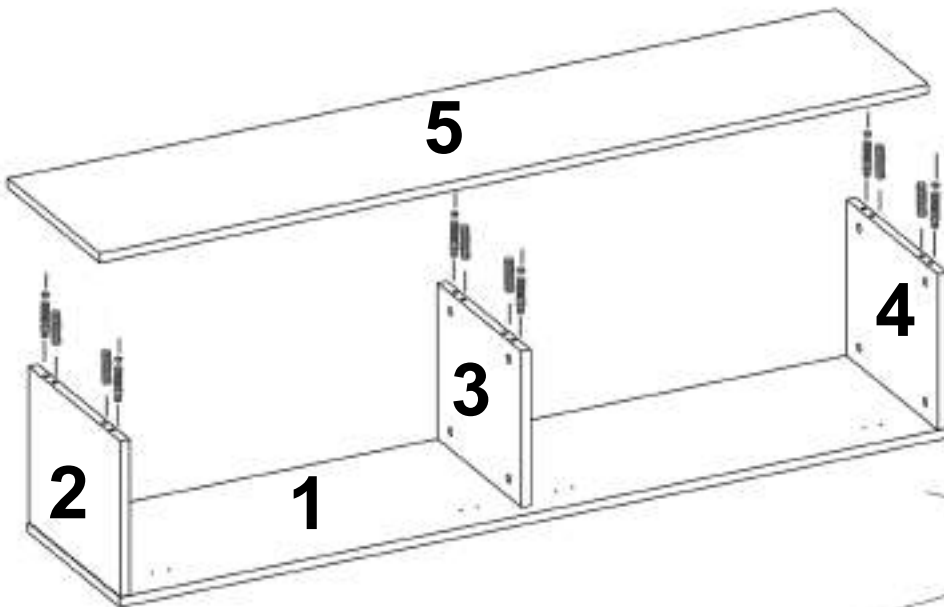
x12



1



2





B0324

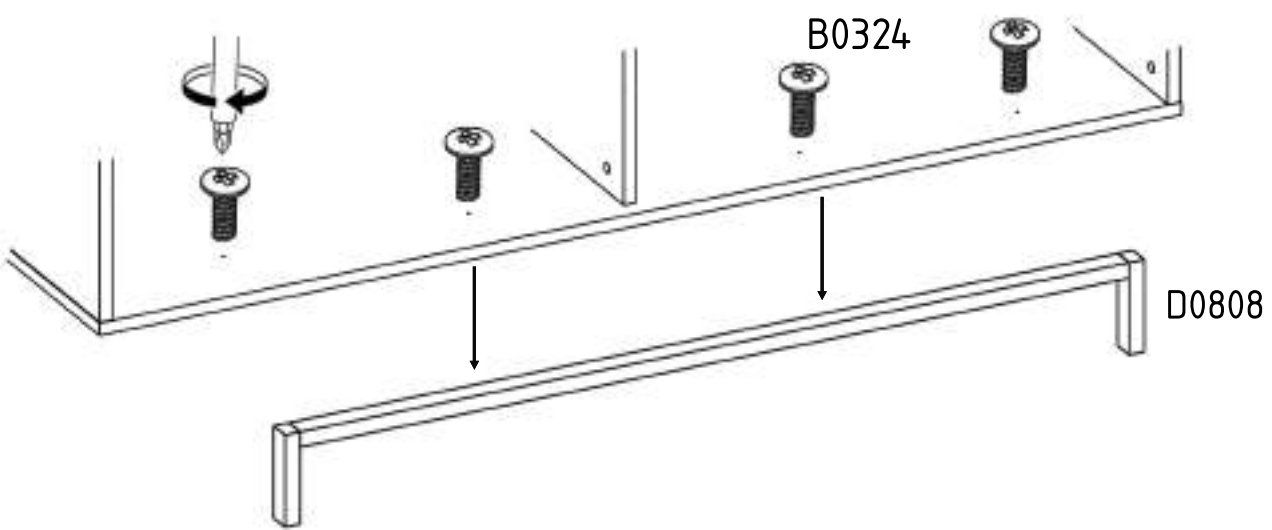
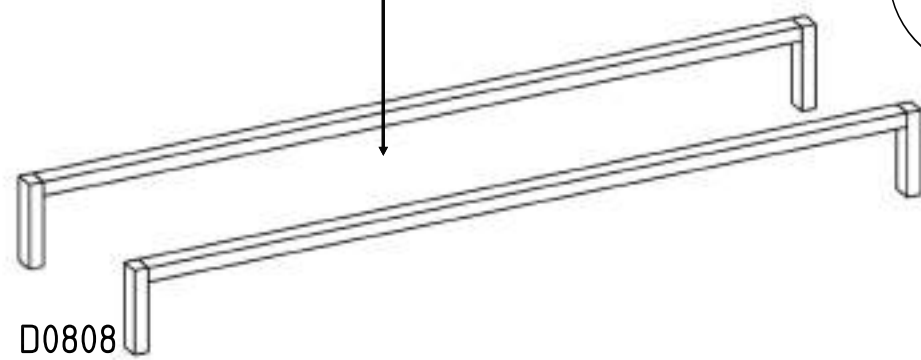
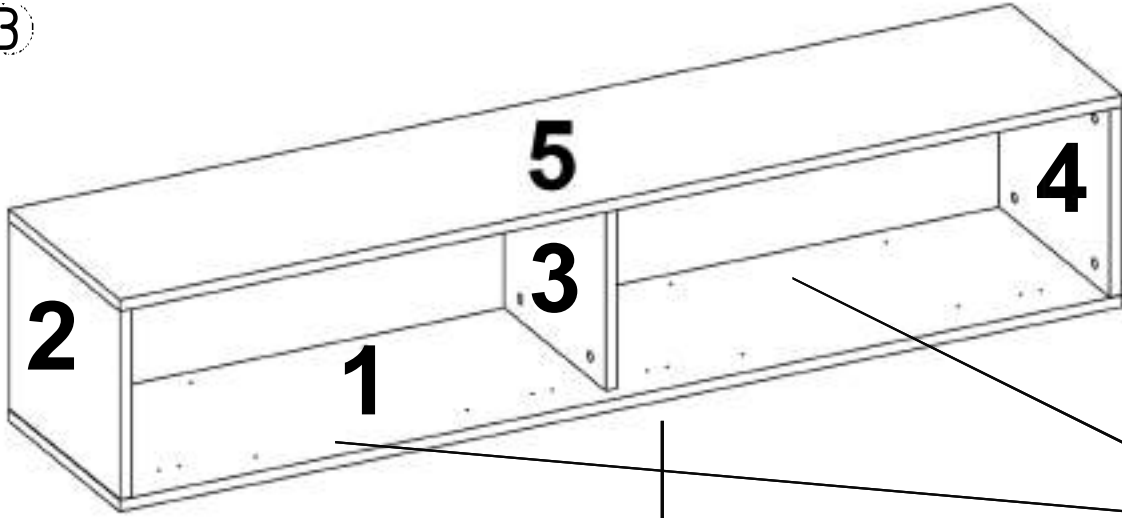
D0808



x8

x2

3





B0301



x16

B0103



x4

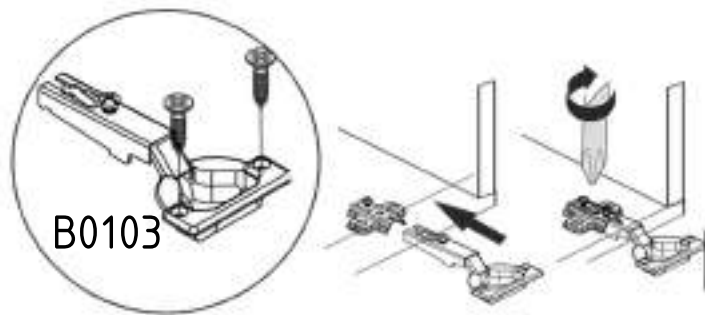
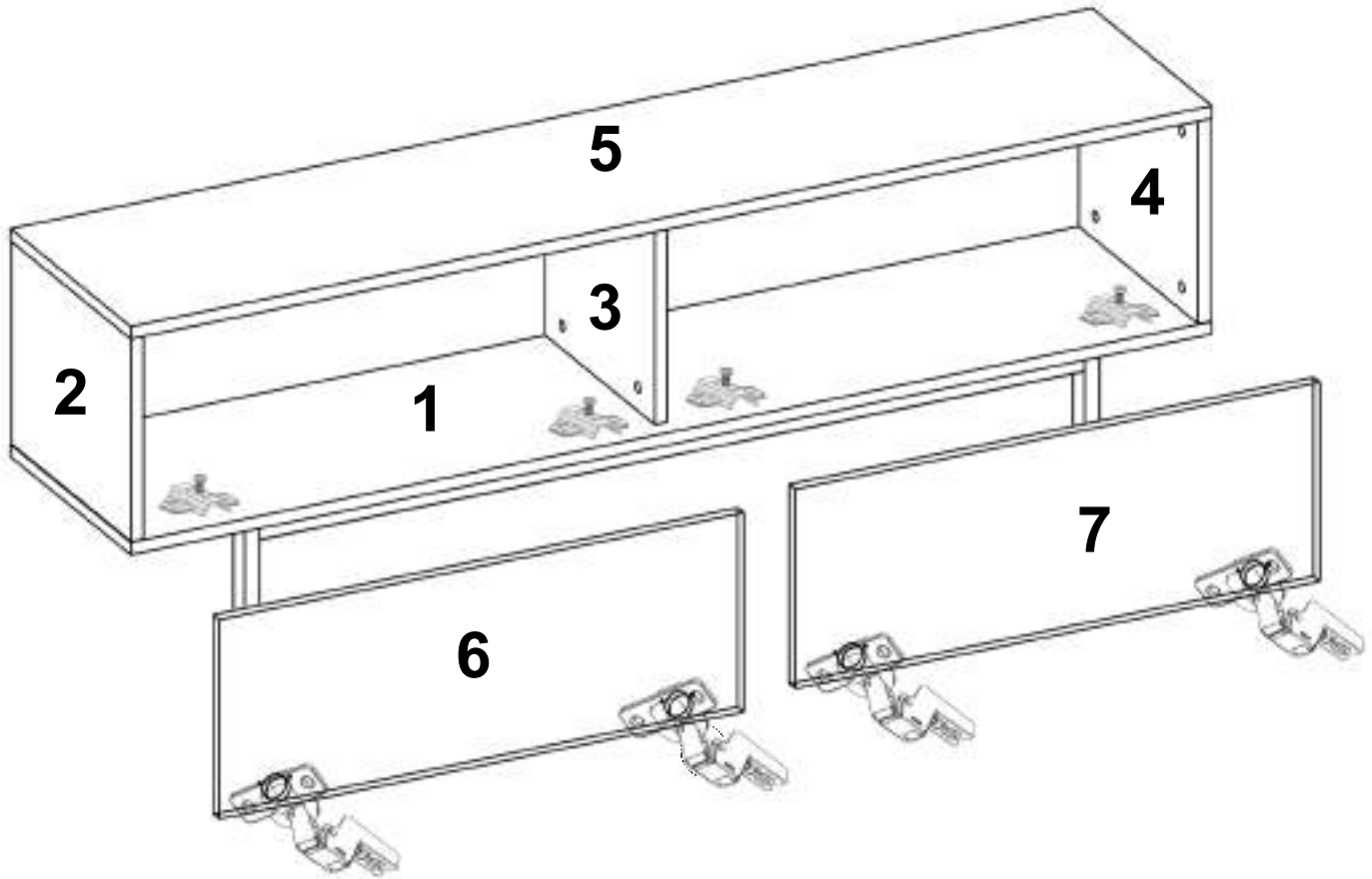
B0105



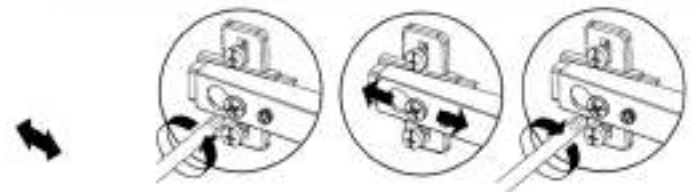
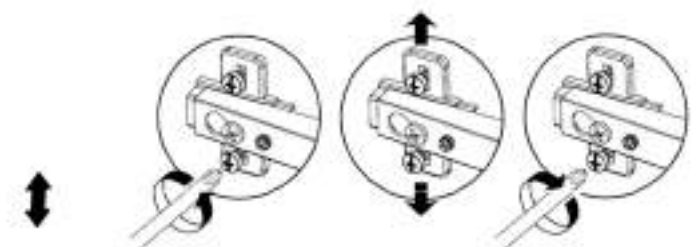
x4



4



B0103





B0307



x4

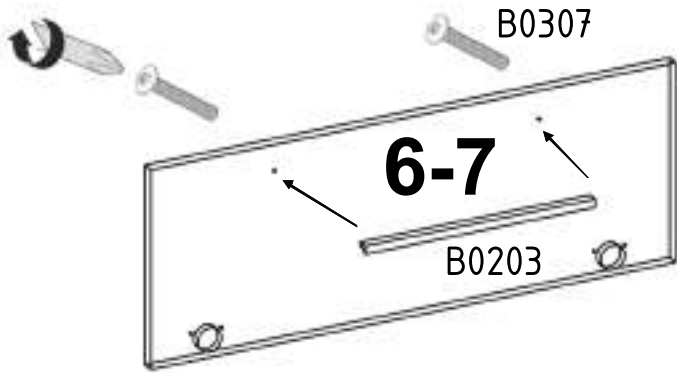
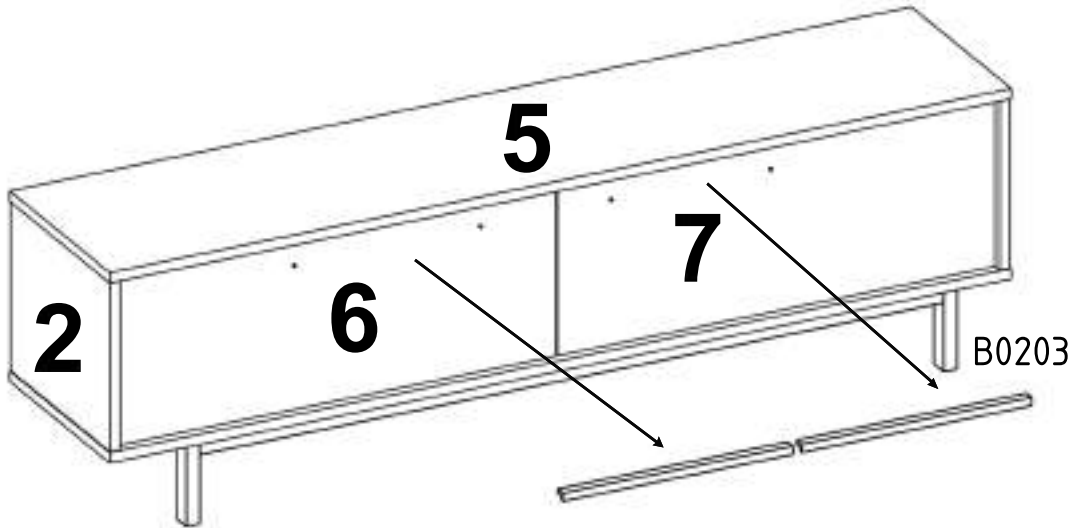
B0318



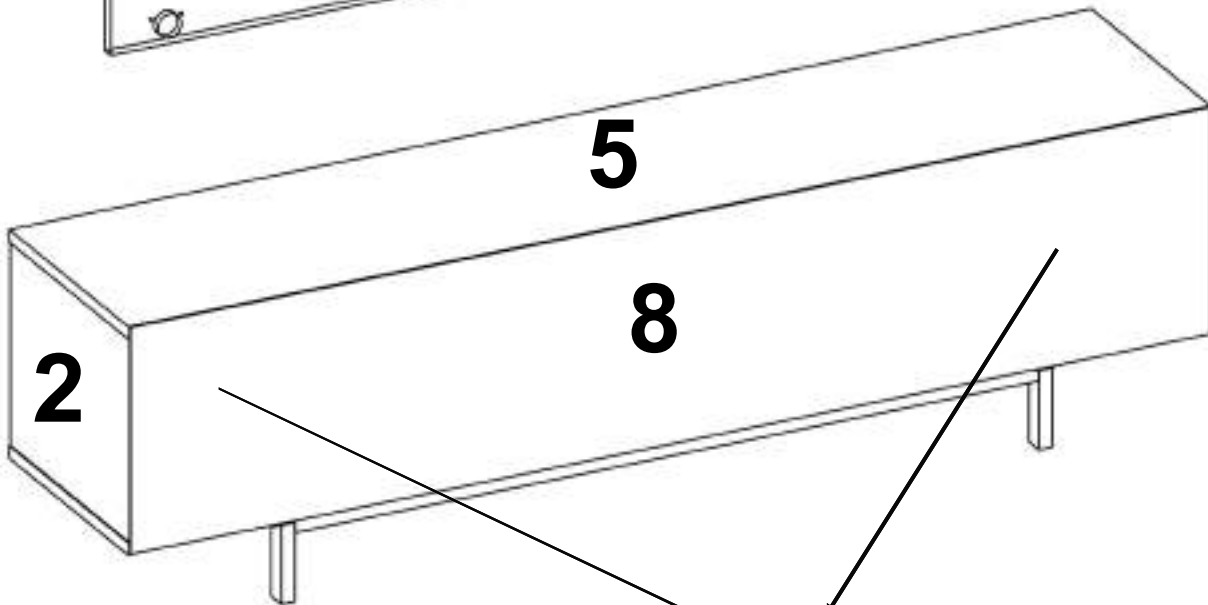
x30



5



6



5



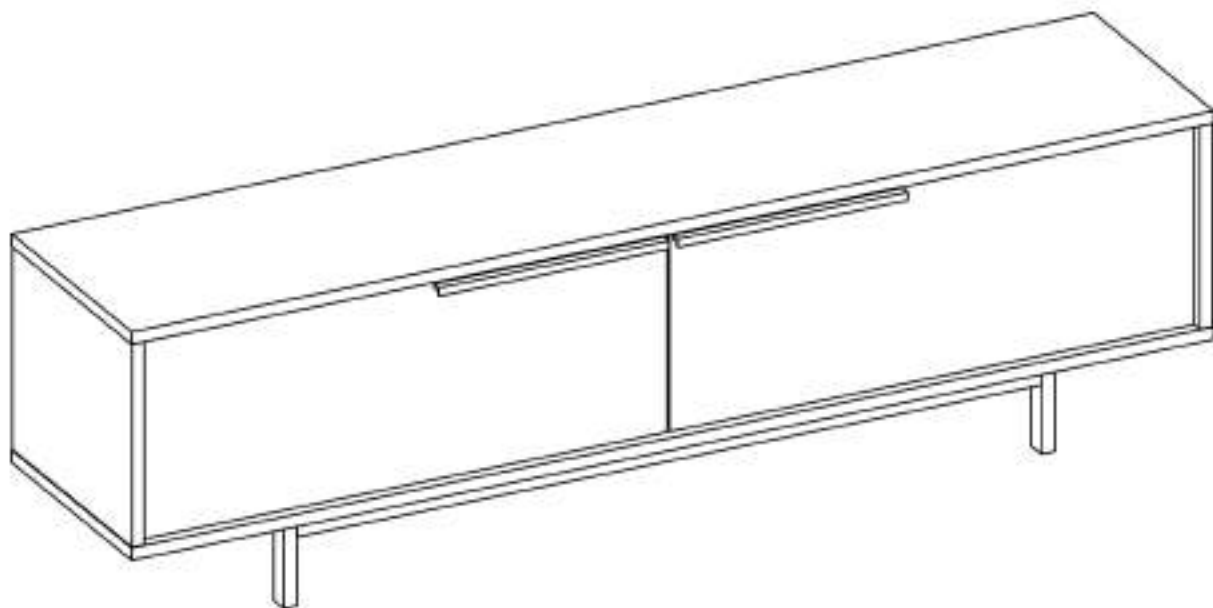
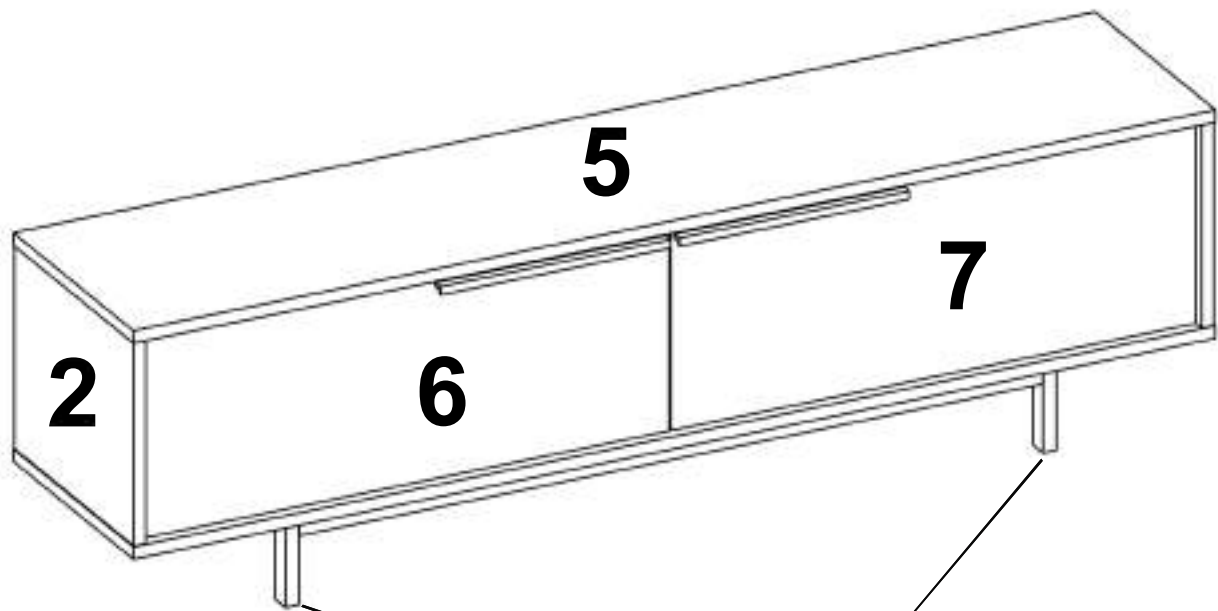
B1702



x4

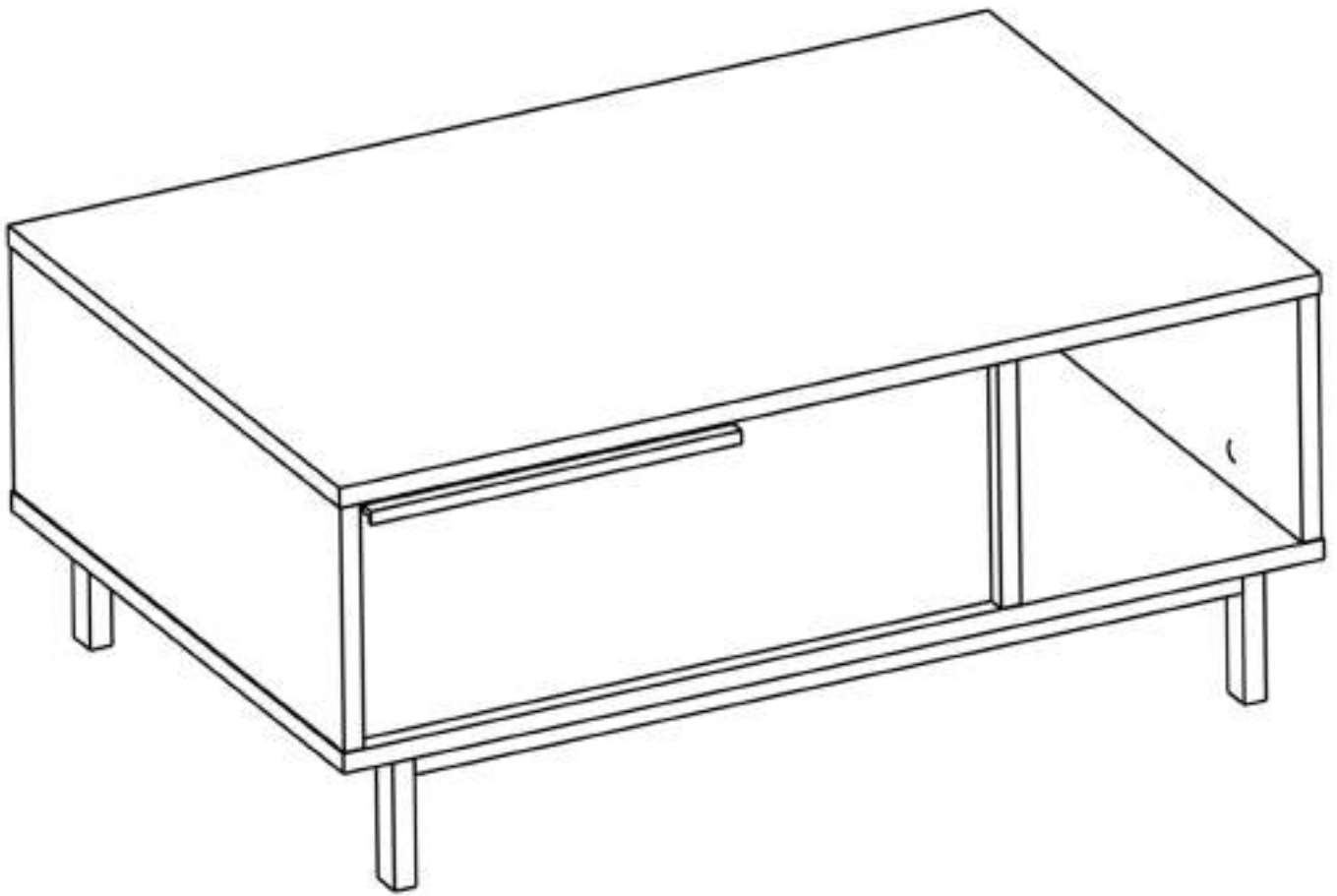















7

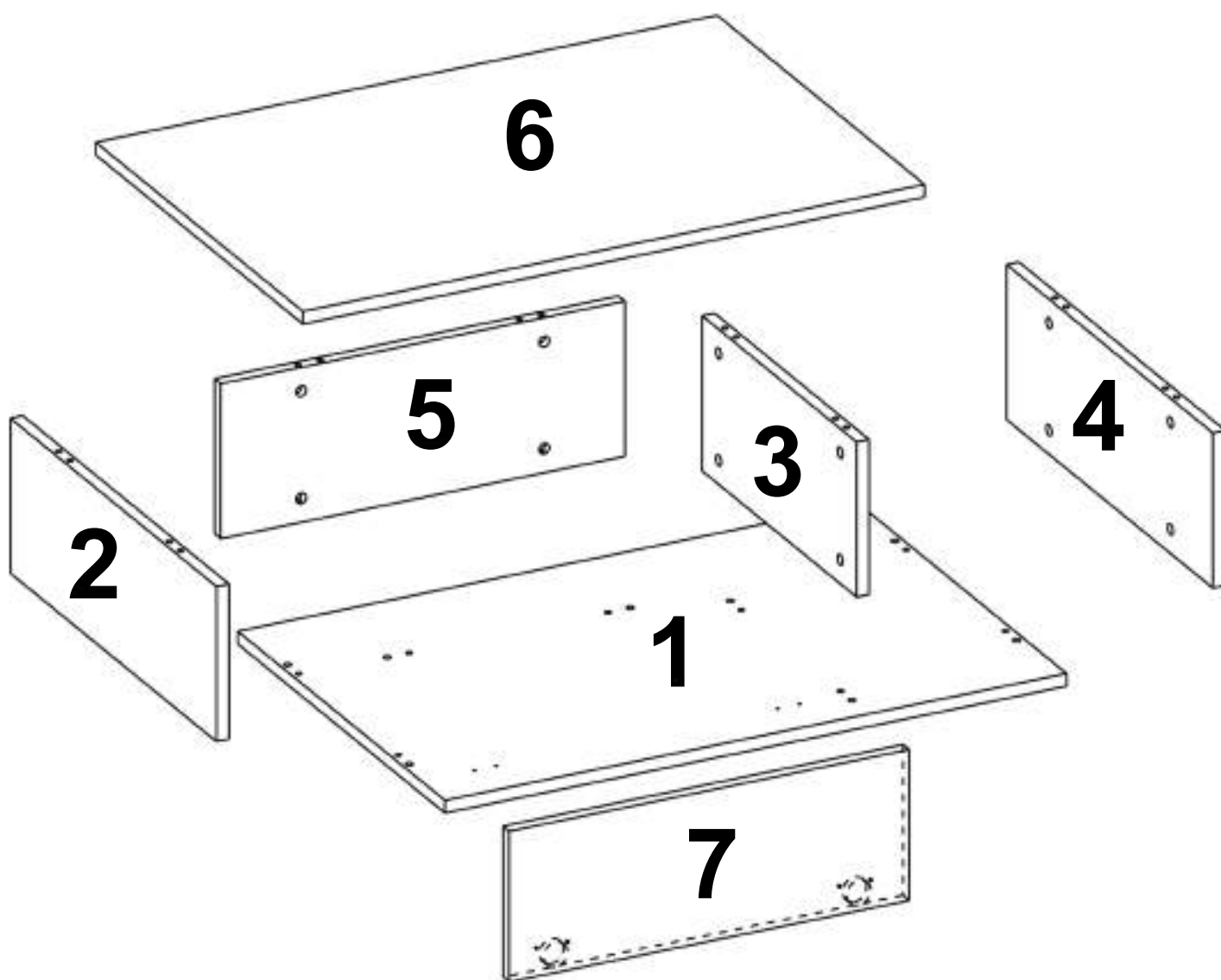


6

ON2



 B0501 x16	 B0502 x16	 B0503 x16	 B0504 x16	 B0301 x8
 B1702 x4	 D0805 x2	 B0103 x2	 B0105 x2	 B0307 x2
 B0203 x1	 B0324 x6	 B0509 x1		





B0502

B0503

B0504

B0501



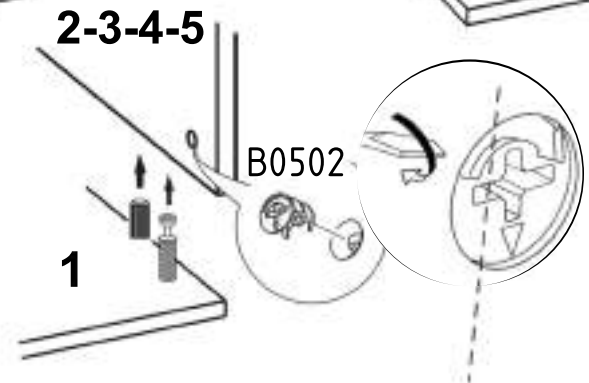
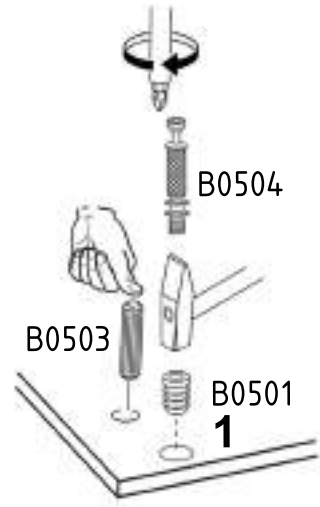
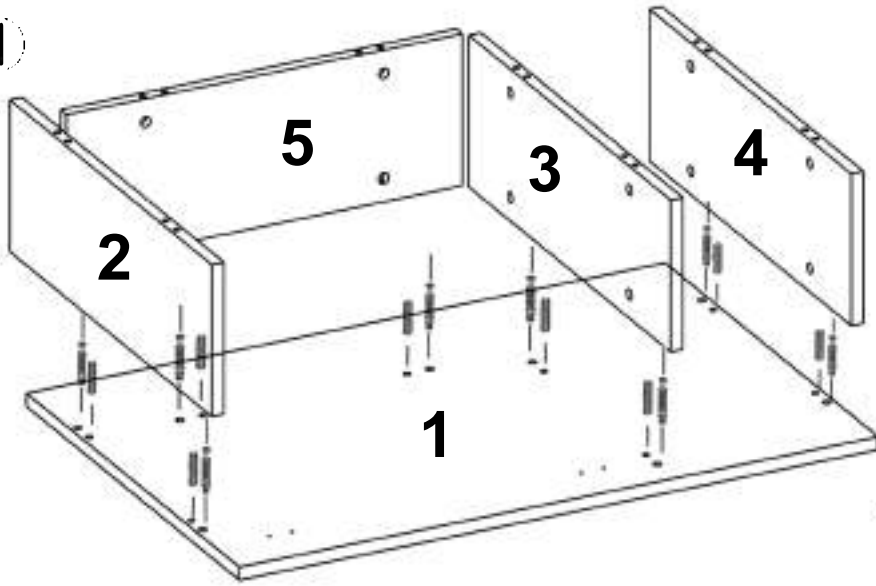
x16 x16

x16

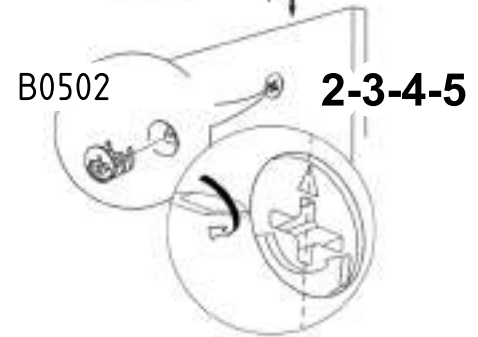
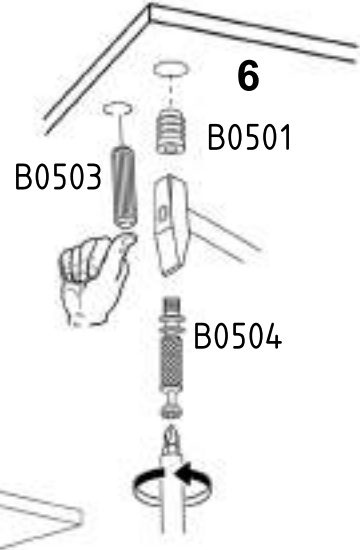
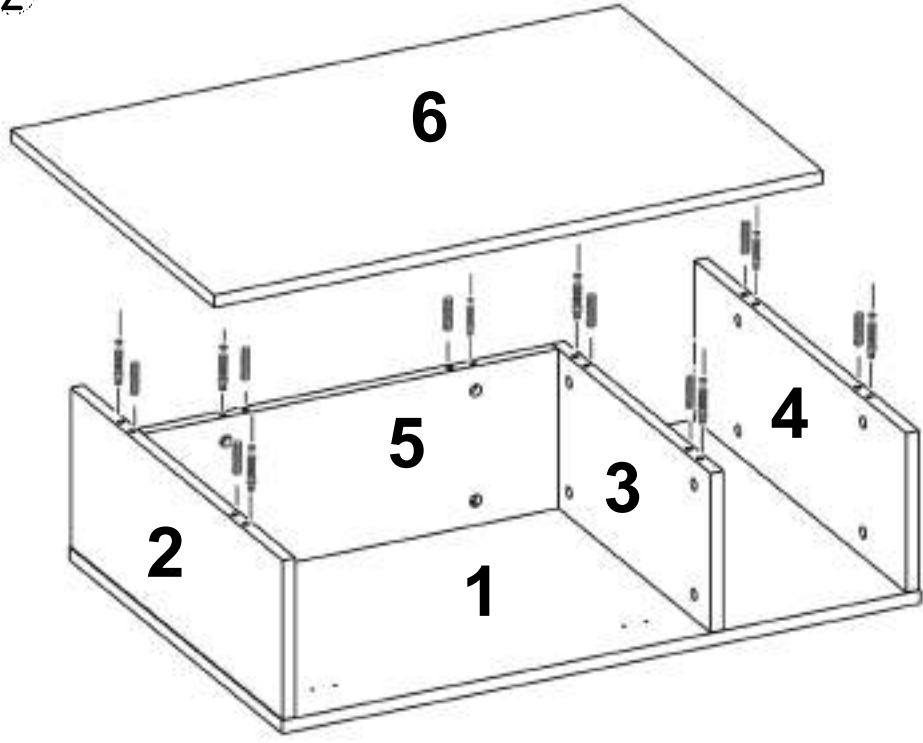
x16



1



2



2



B0324



x6

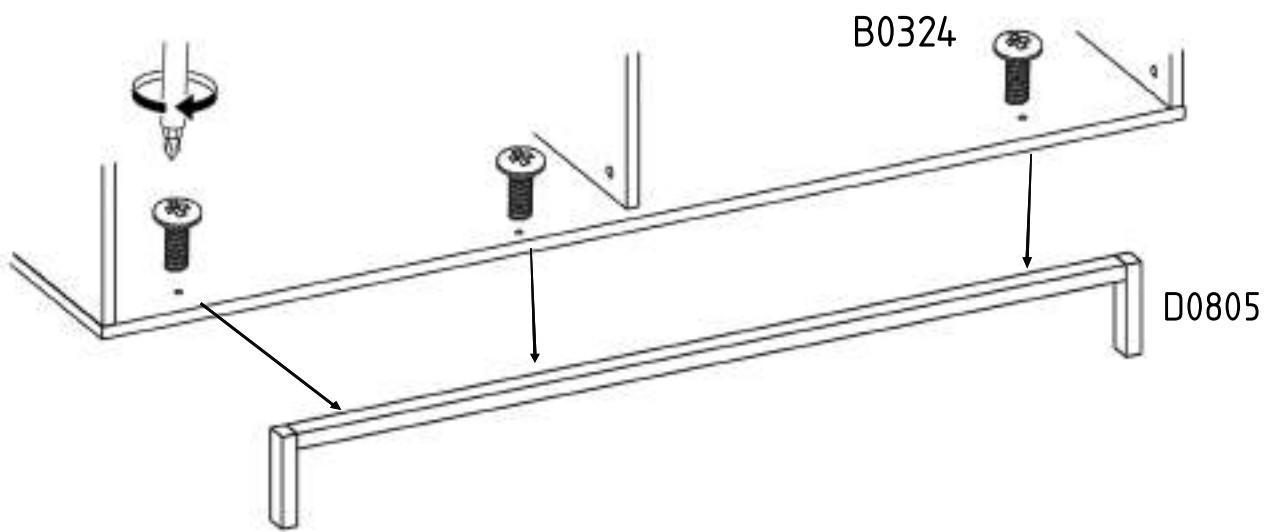
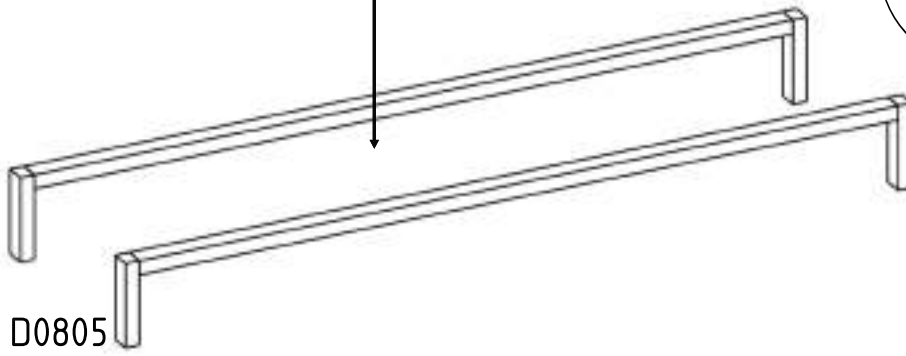
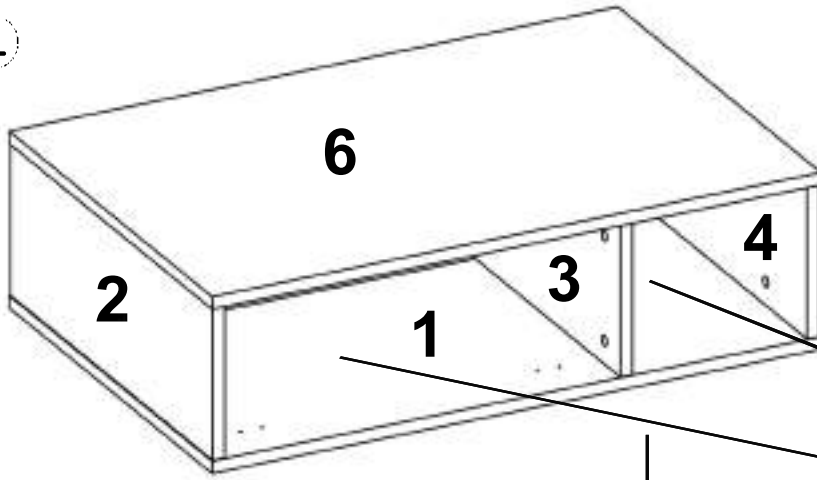
D0805



x2



4





B0301
x8

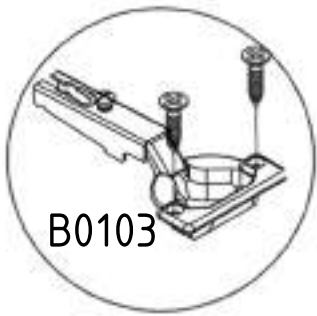
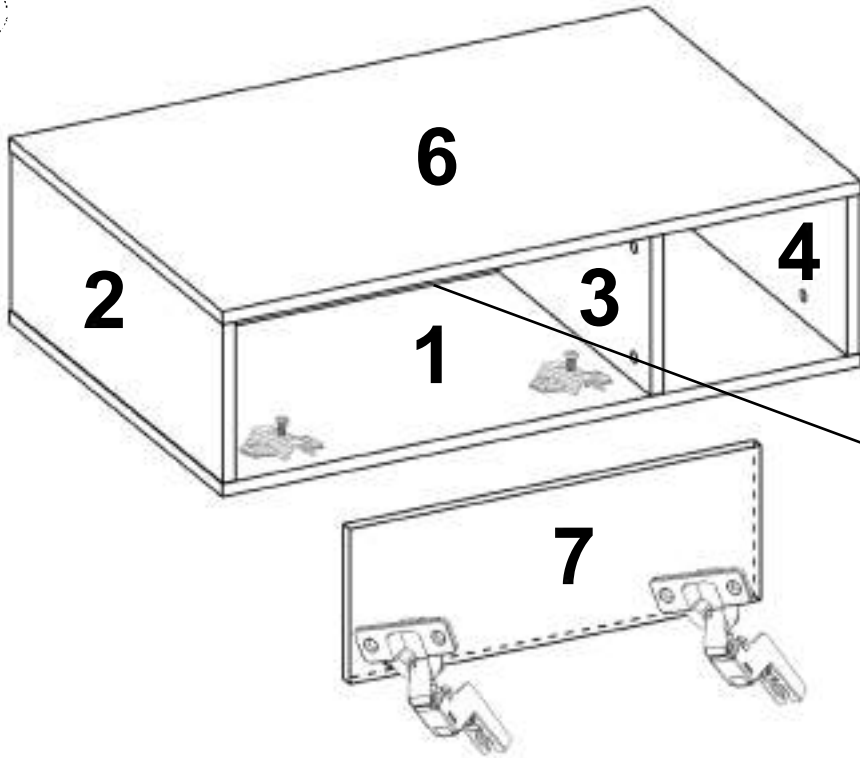
B0103
x2

B0105
x2

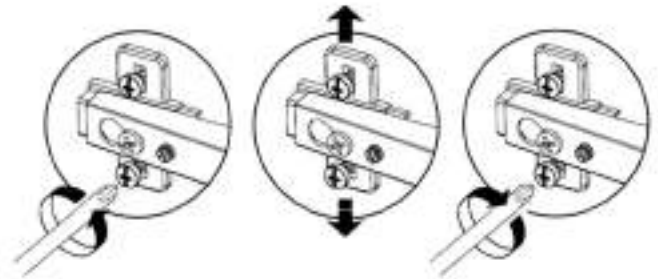
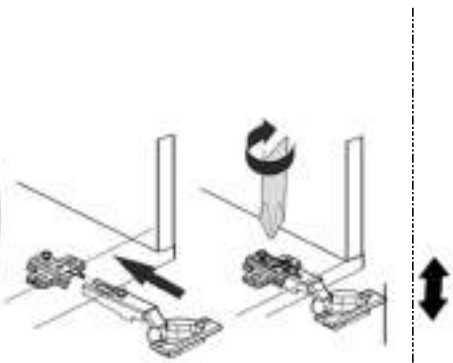
B0509
x1



3



B0103



3



B0307



x2

B1702



x4

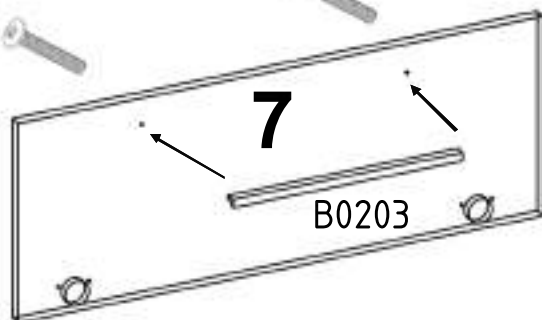
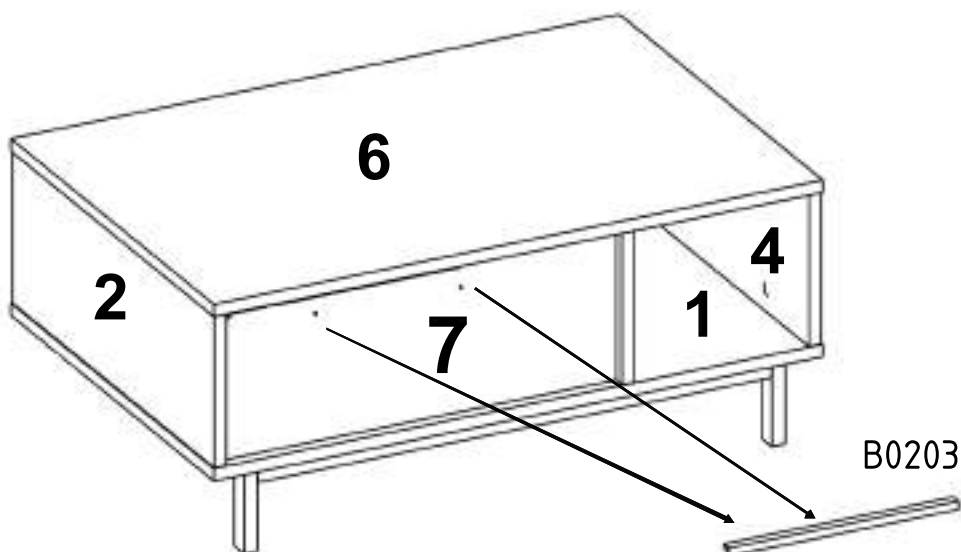
B0203



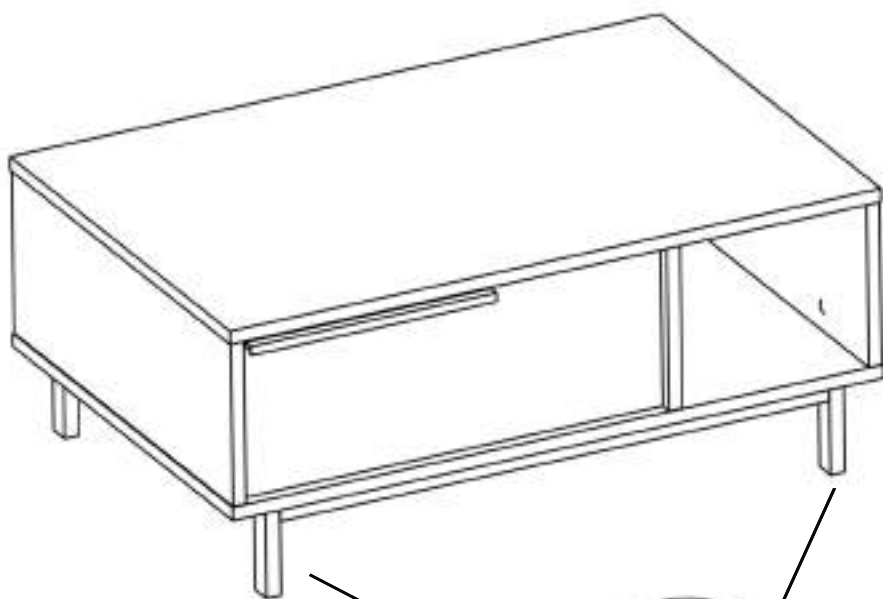
x1



5



6



5