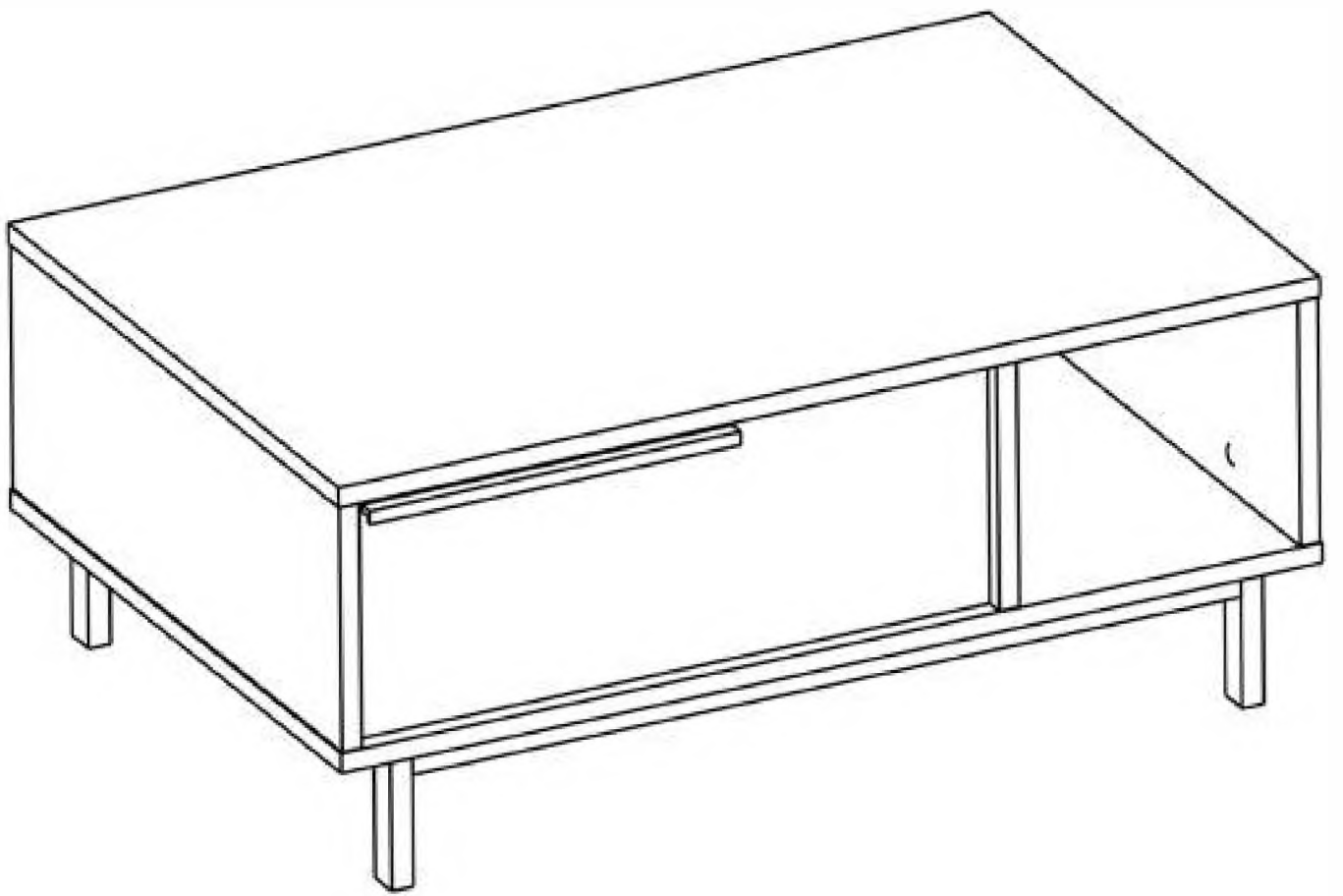















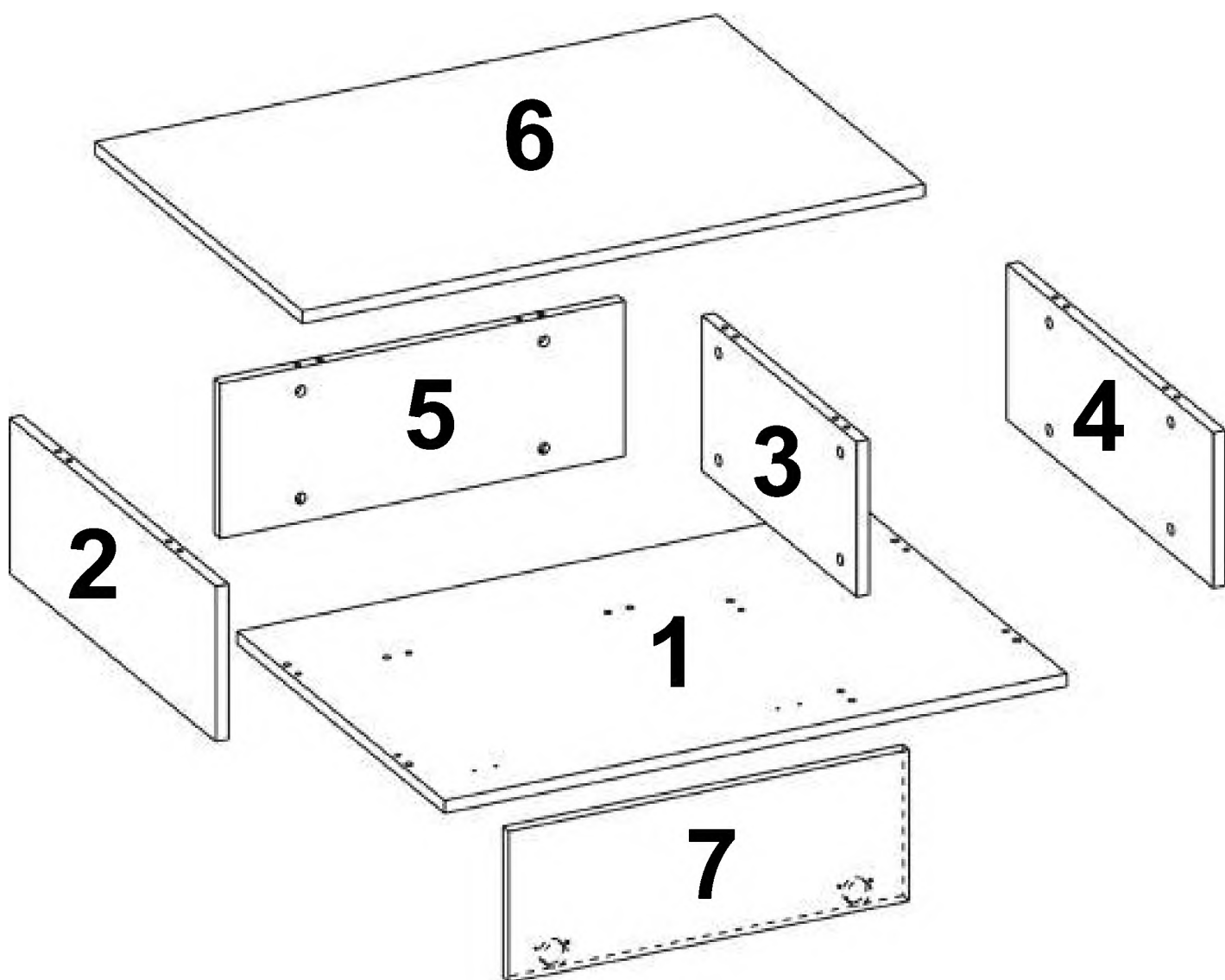
TV stolek + konferenční stolek/TV stolík + konferenční stolík ONOL 1



Dovozce/Dovozca: SCOTTO Nábytek, s.r.o., Jeremiášova 947/16, Praha 5/SCOTTO Nábytek s.r.o., Nová 10/8144, Trnava

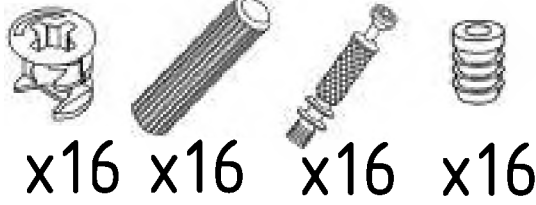


 B0501 x16	 B0502 x16	 B0503 x16	 B0504 x16	 B0301 x8
 B1702 x4	 D0805 x2	 B0103 x2	 B0105 x2	 B0307 x2
 B0203 x1	 B0324 x6	 B0509 x1		

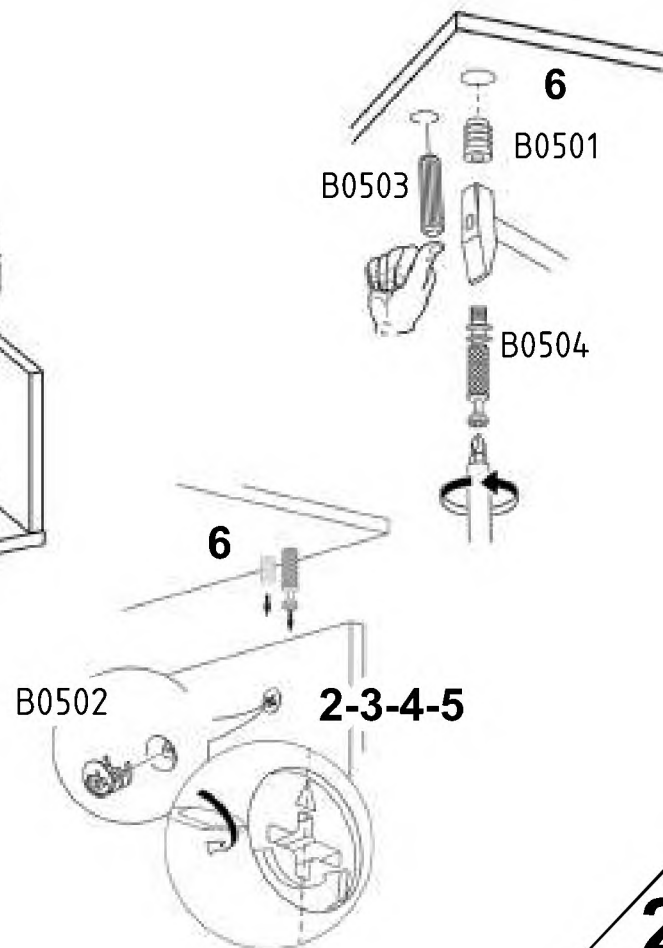
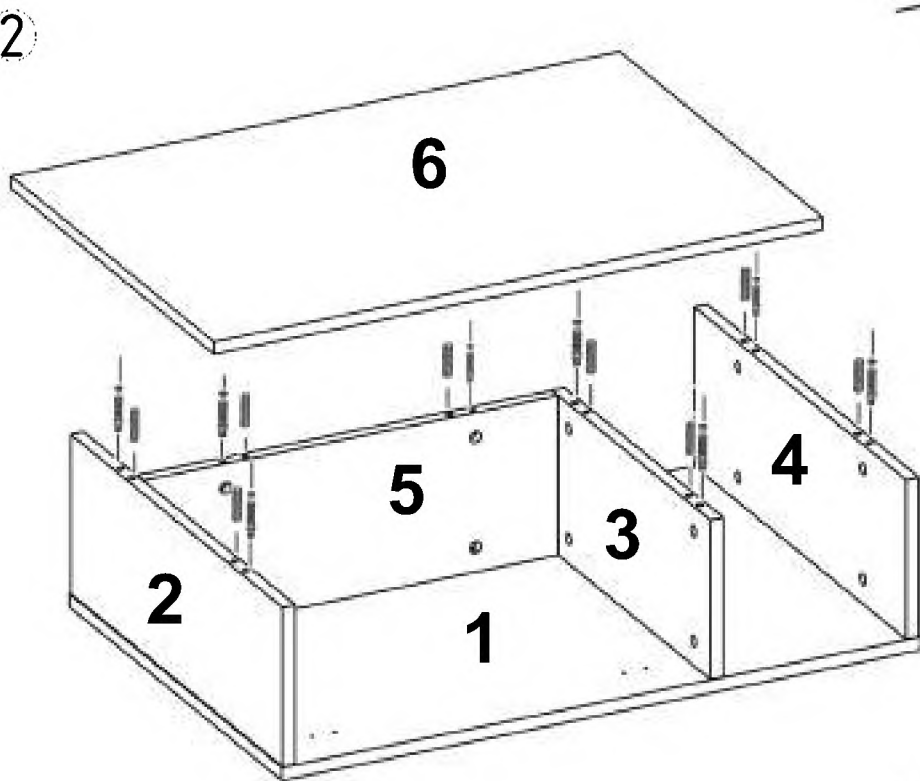
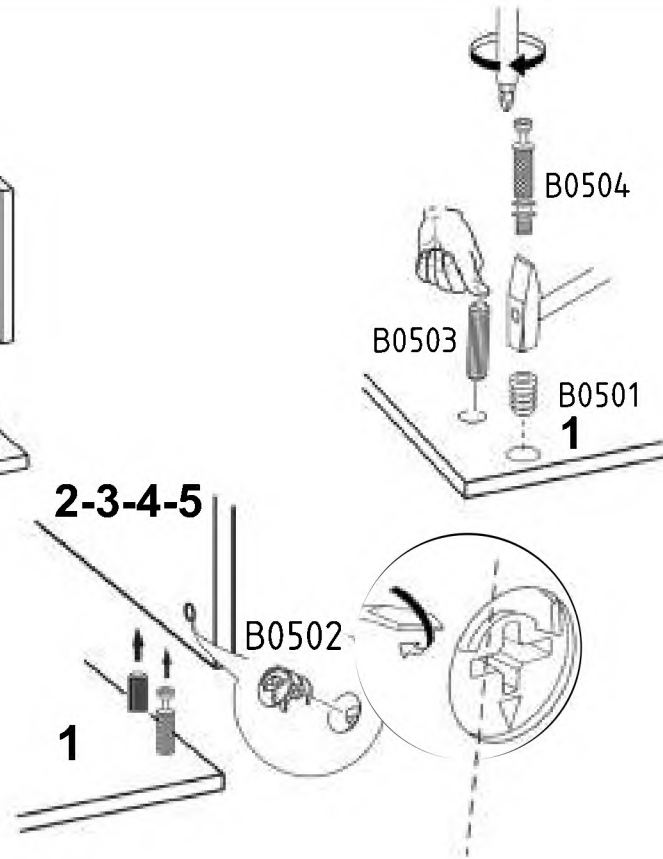
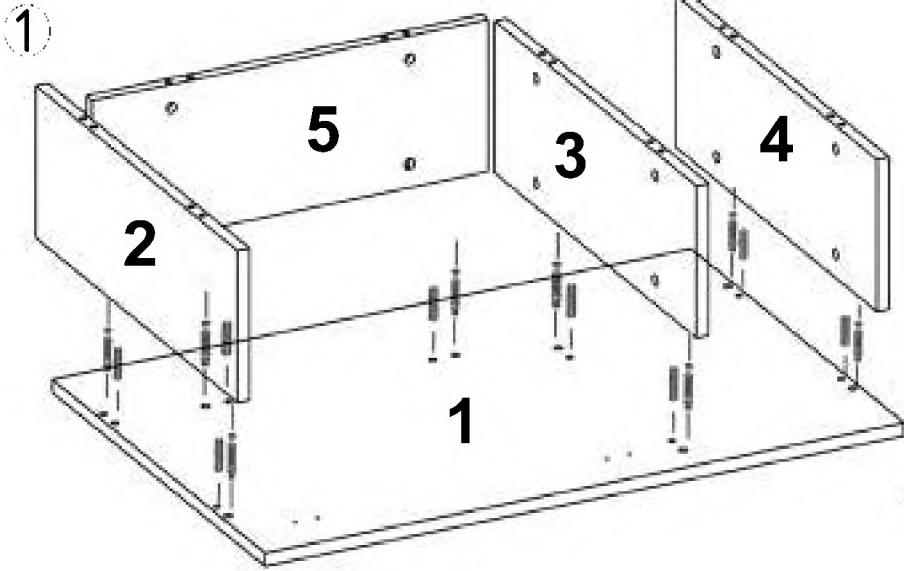
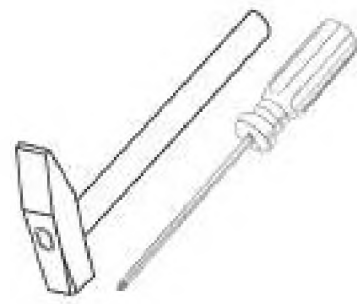


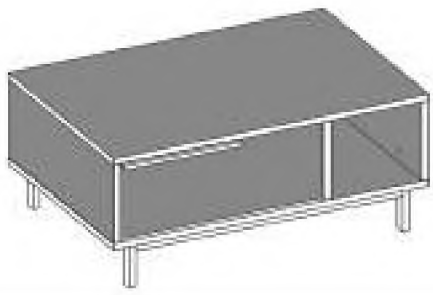


B0502 B0503 B0504 B0501



x16 x16 x16 x16





B0324



x6

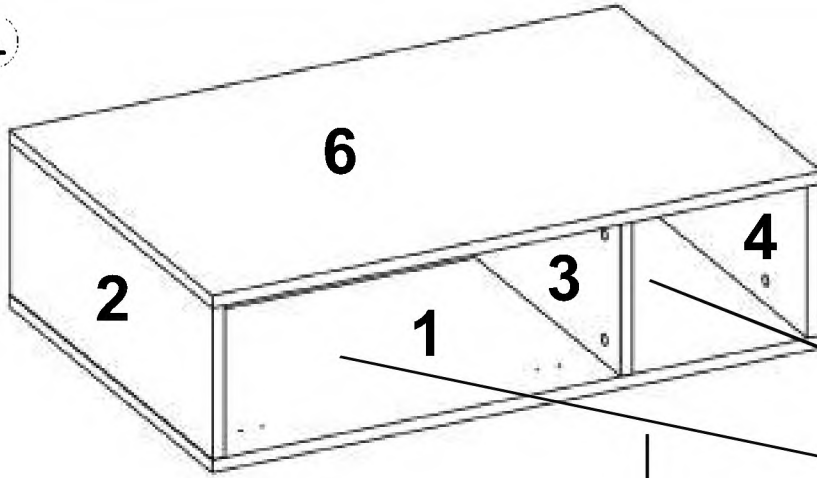
D0805



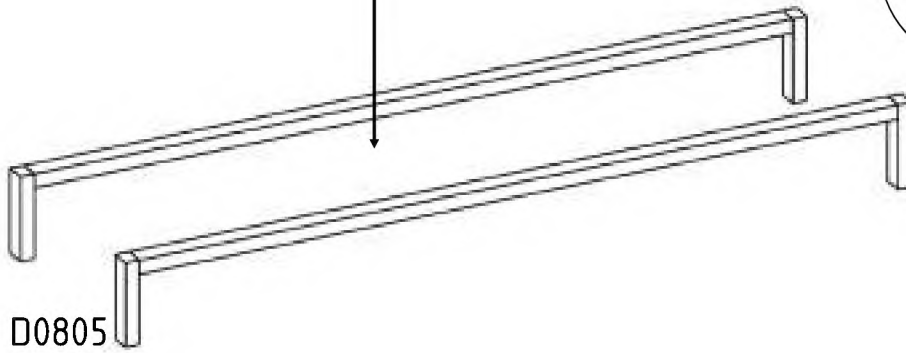
x2



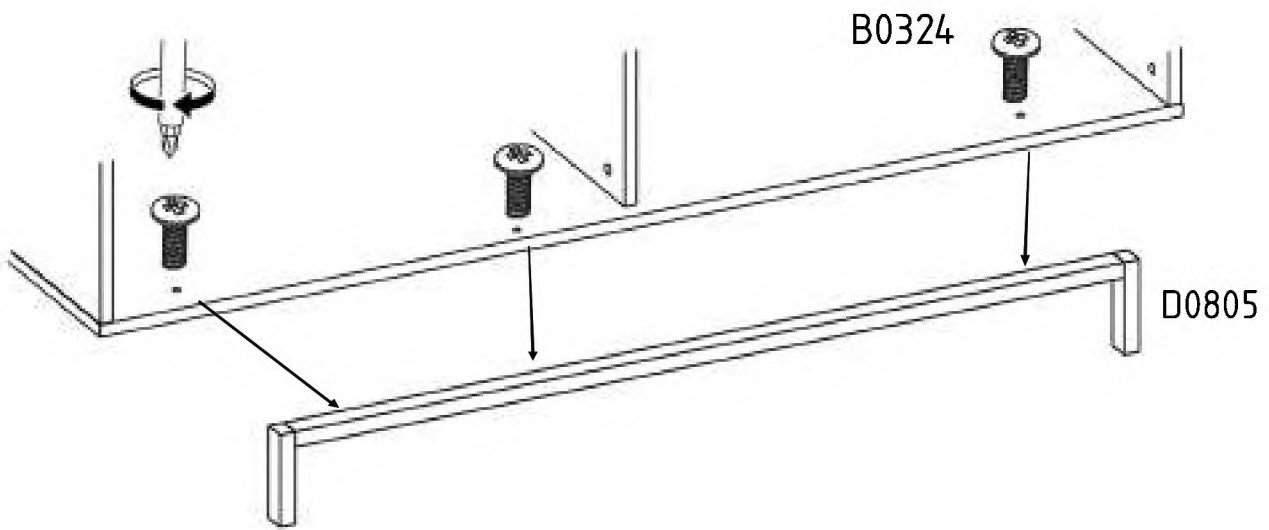
4



B0324



D0805



B0324

D0805



B0301



x8

B0103



x2

B0105



x2

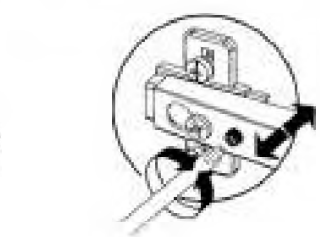
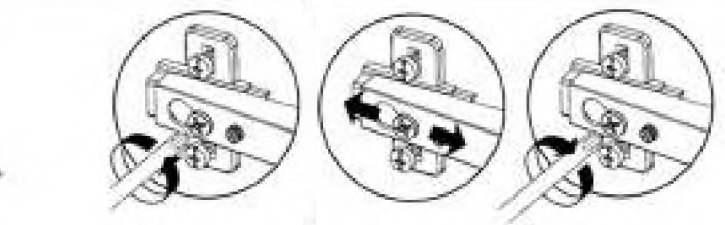
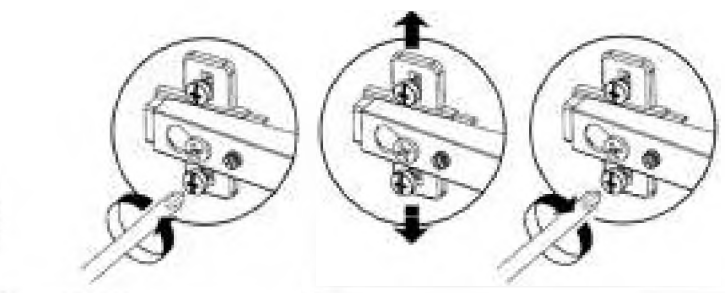
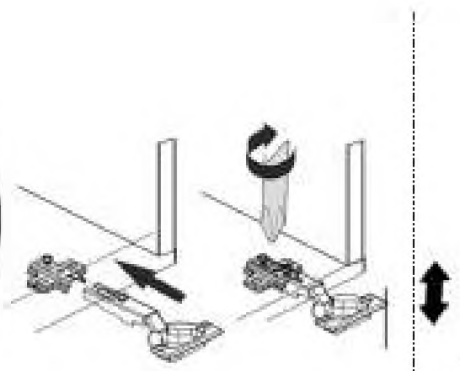
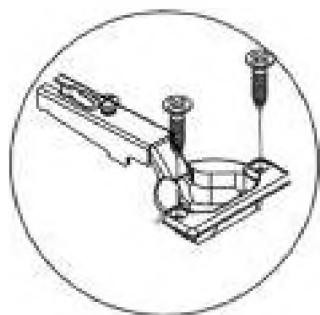
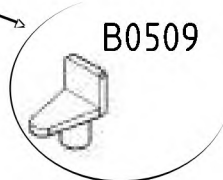
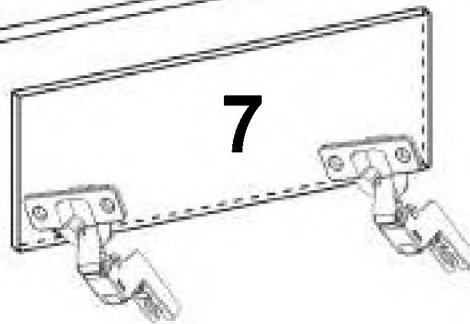
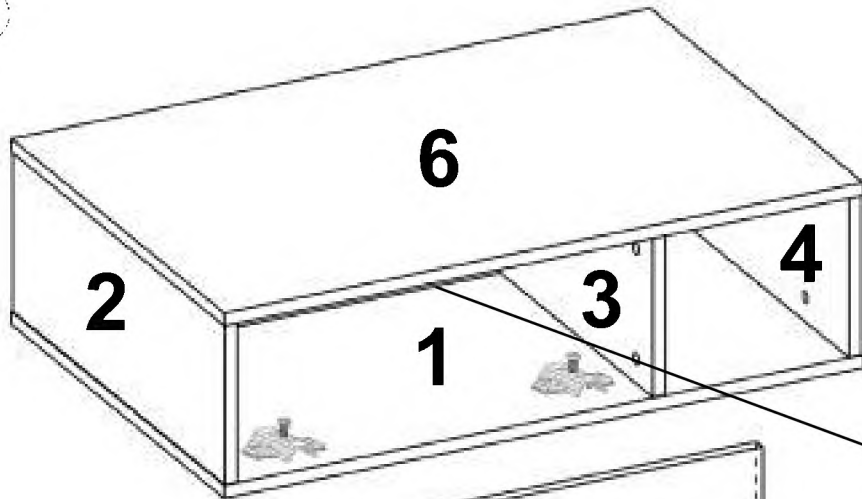
B0509



x1



3



3



B0307



x2

B1702



x4

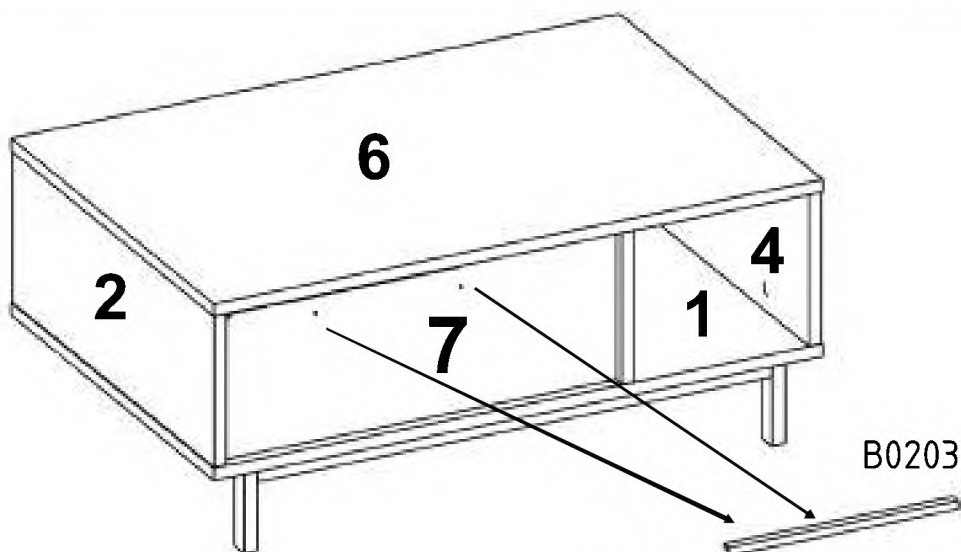
B0203



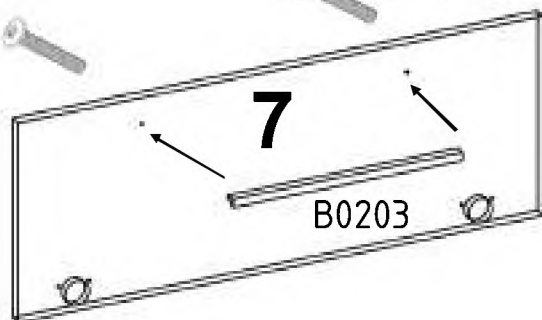
x1



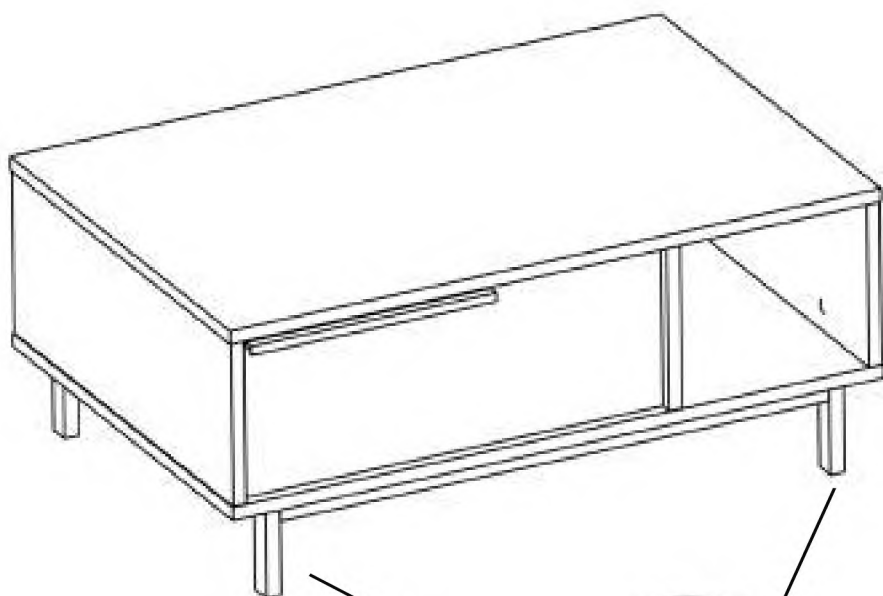
5



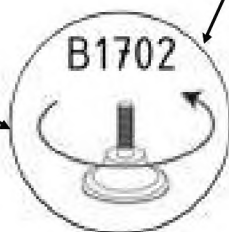
B0307



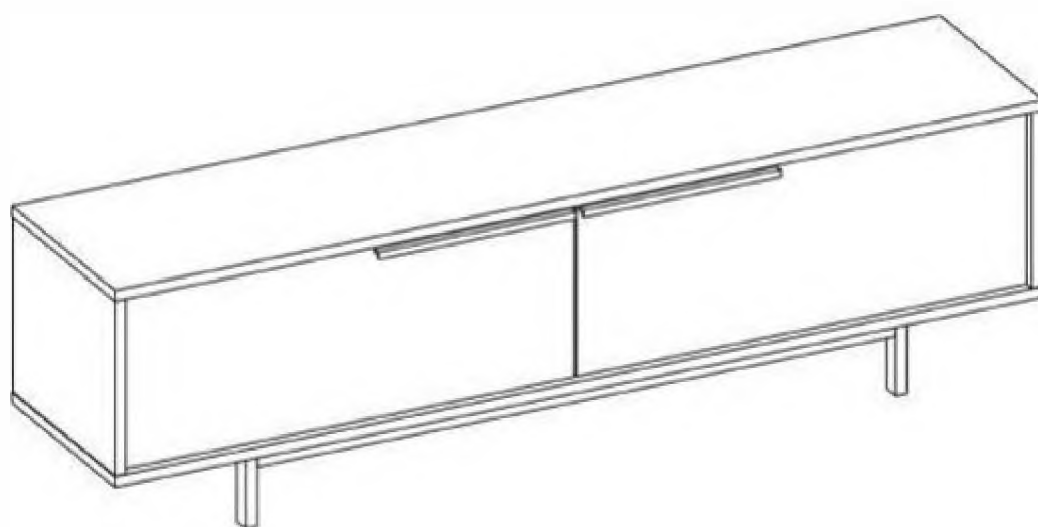
6
















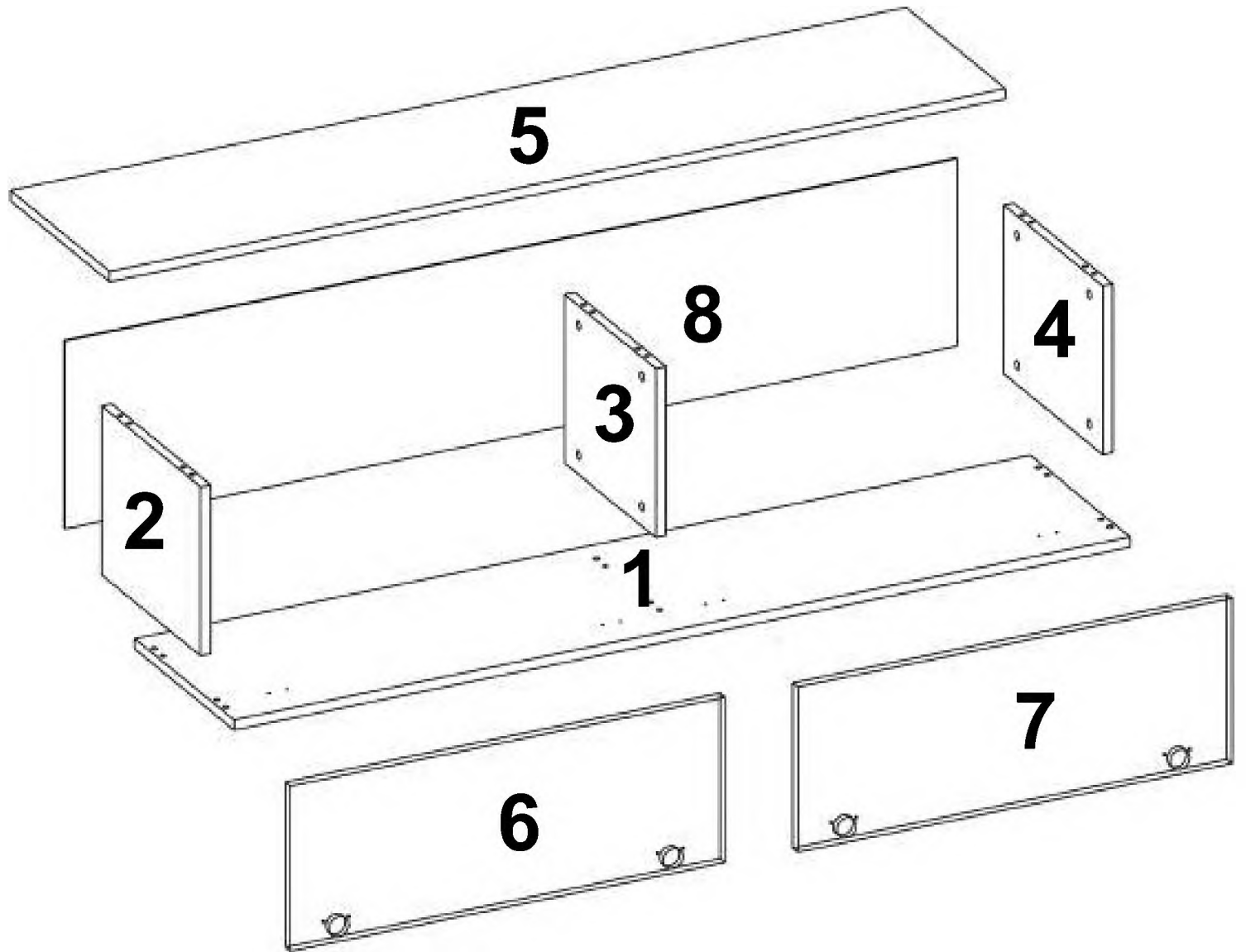
B1702

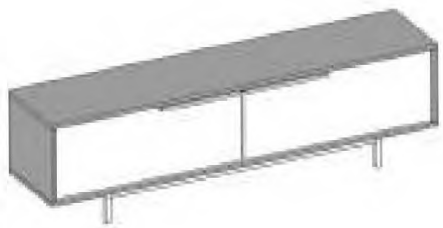


5



	B0501 x12		B0502 x12		B0503 x12		B0504 x12		B0301 x16
	B1702 x4		B0318 x30		B0103 x4		B0105 x4		B0307 x4
	B0203 x2		B0324 x8		D0808 x2				





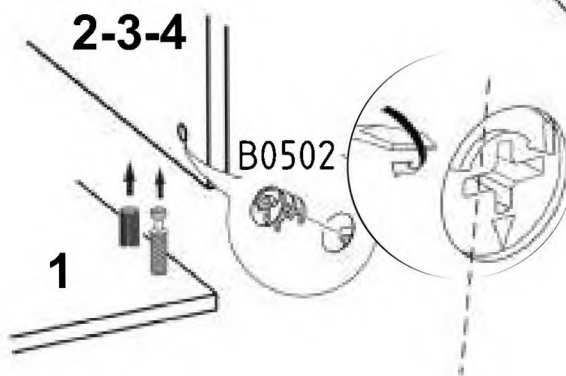
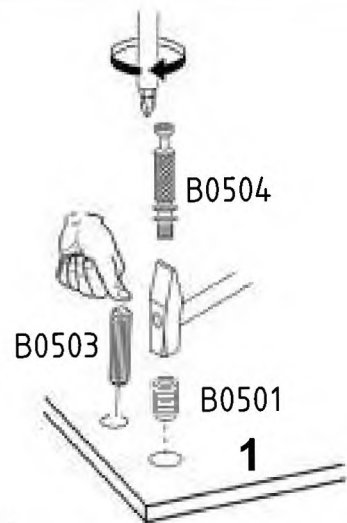
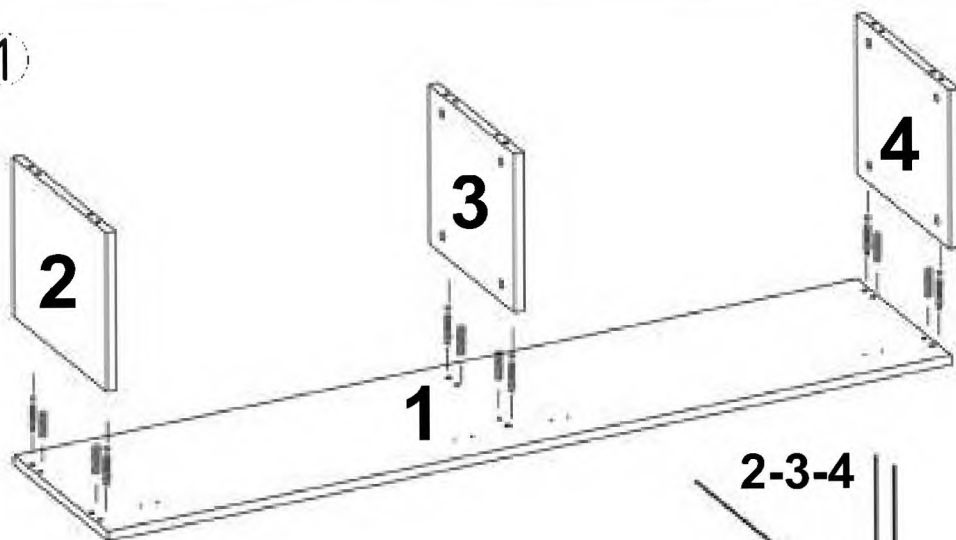
B0502 B0503 B0504 B0501



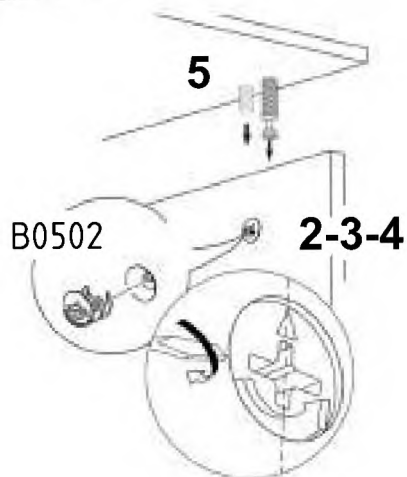
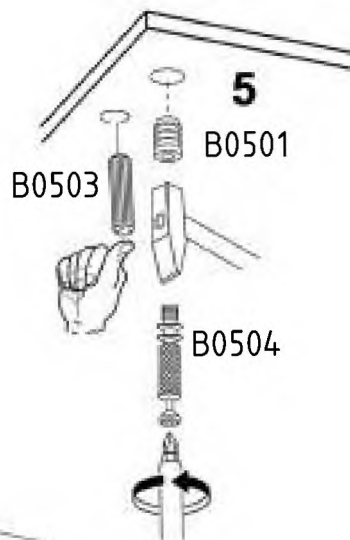
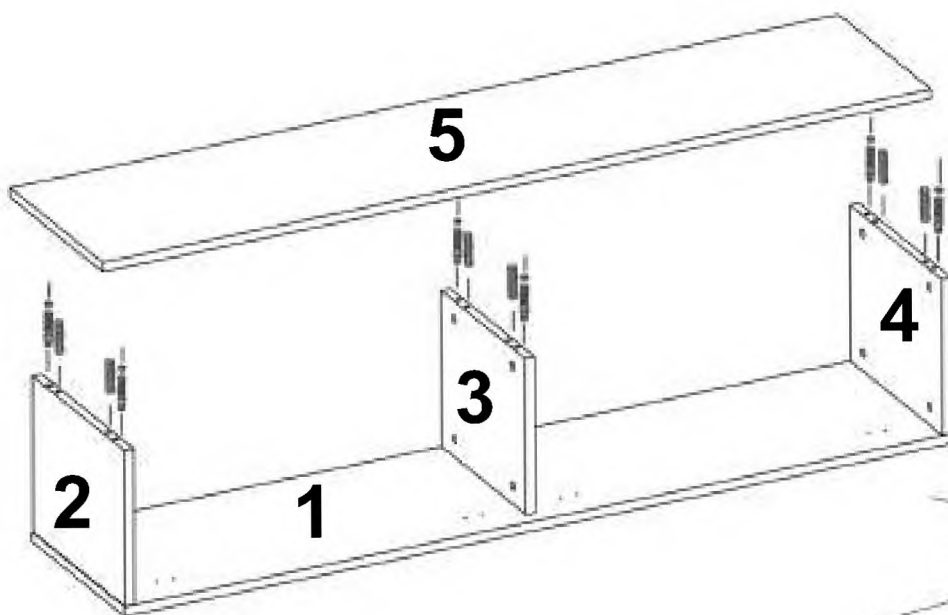
x12 x12 x12 x12



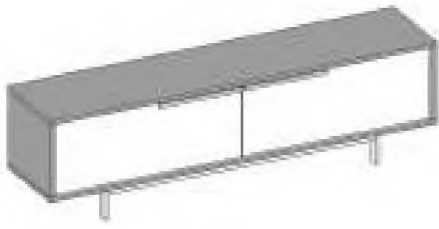
1



2



2



B0324

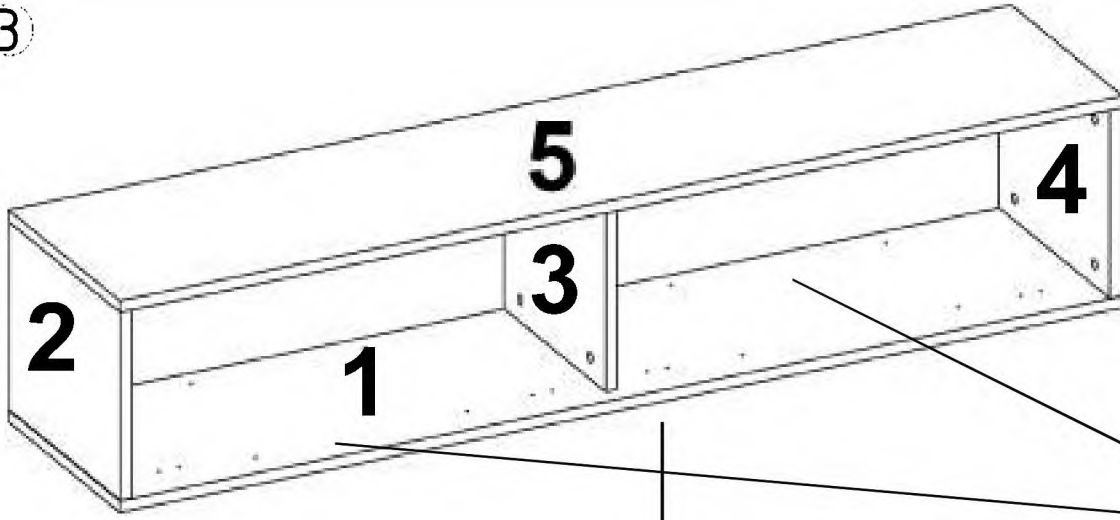
D0808



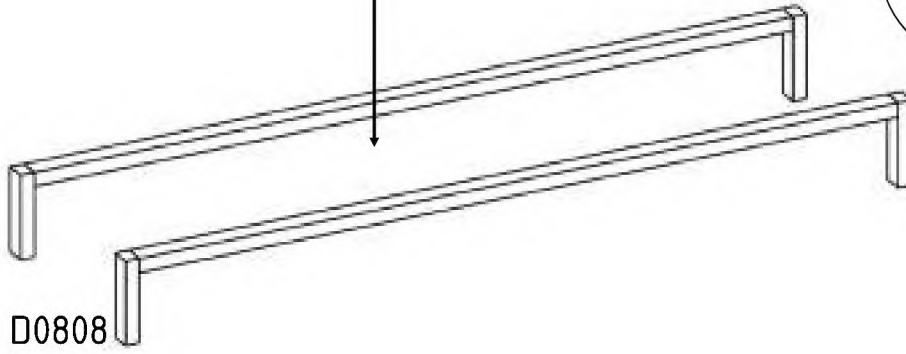
x8

x2

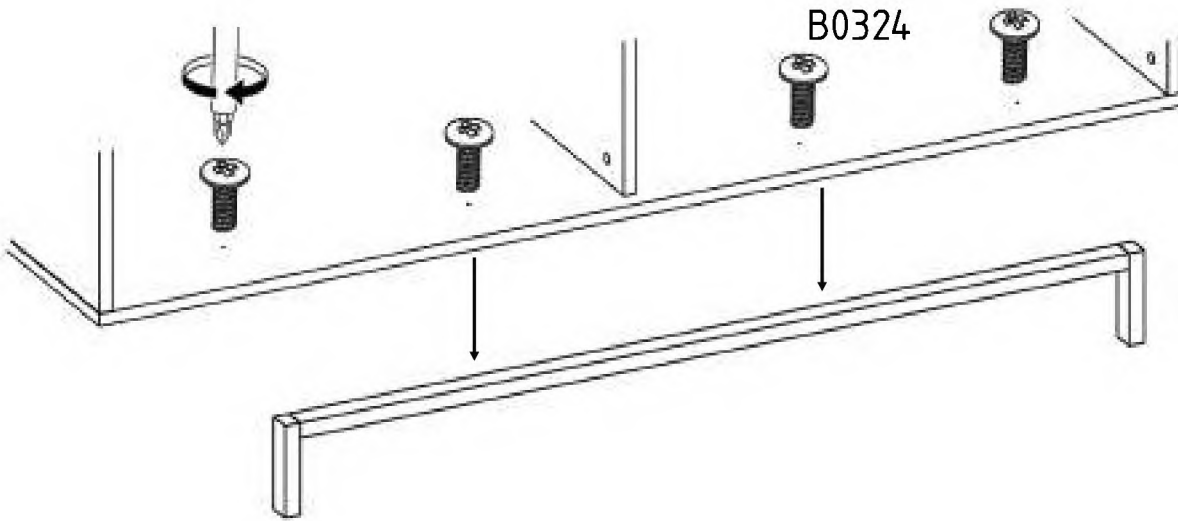
3



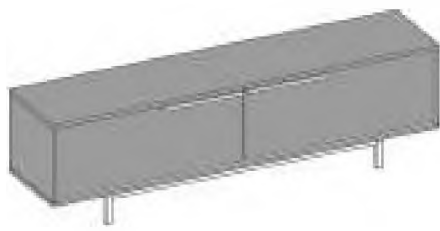
B0324



D0808



B0324



B0301



x16

B0103



x4

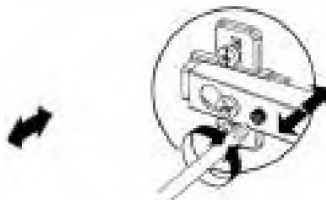
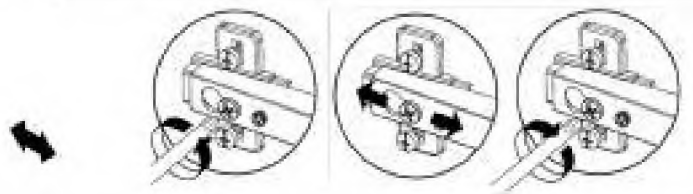
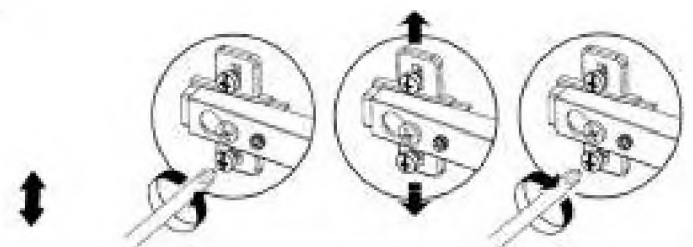
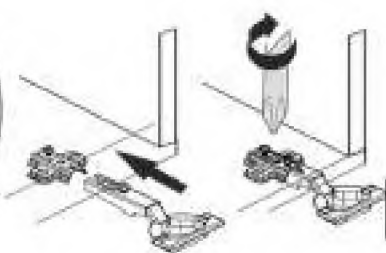
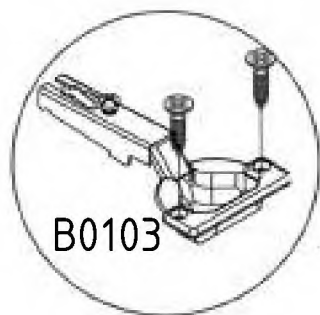
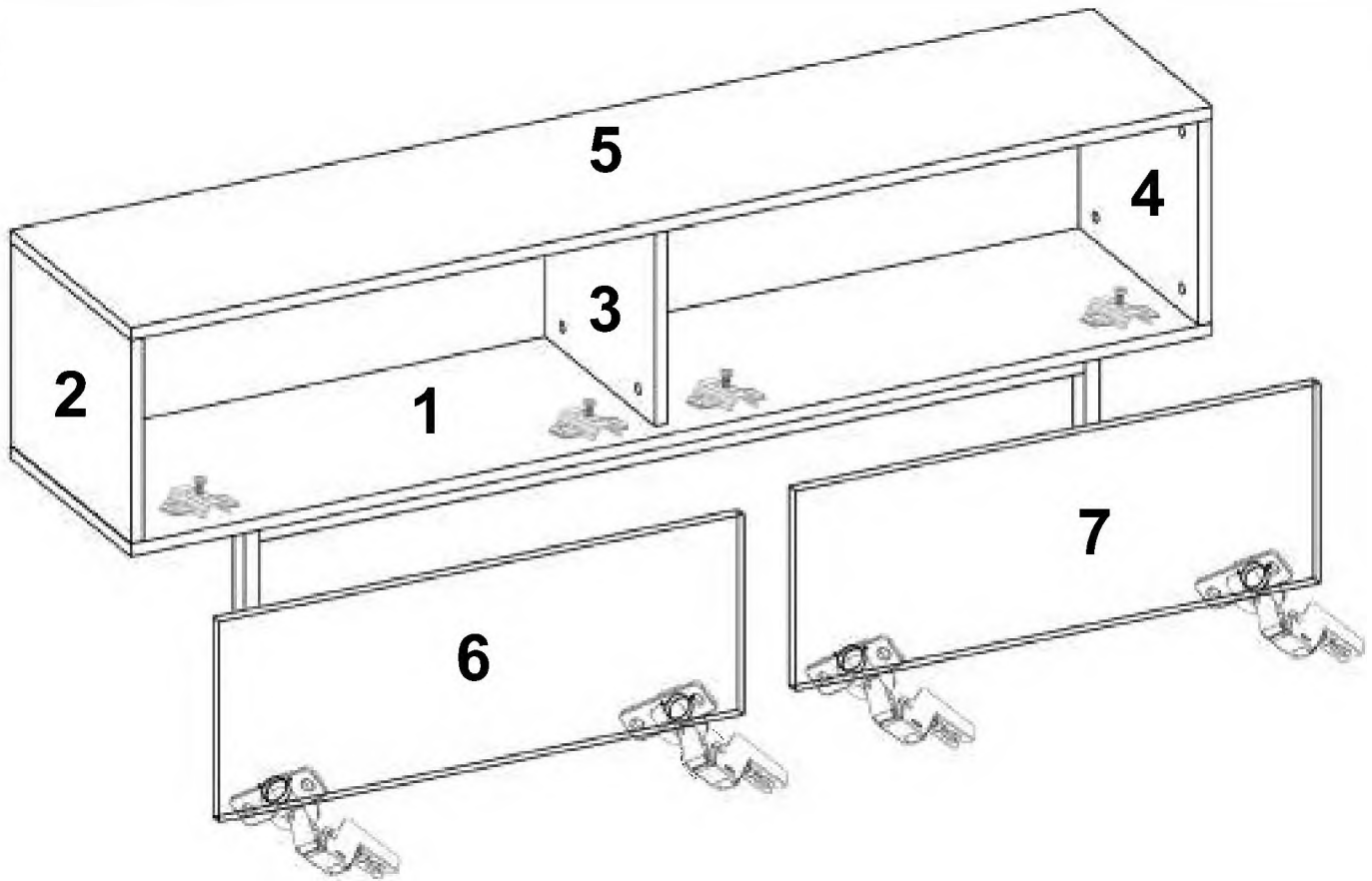
B0105

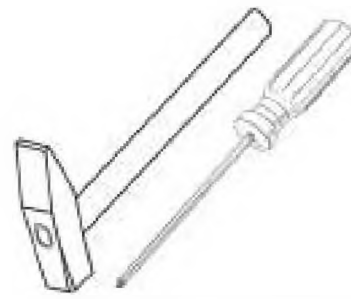


x4

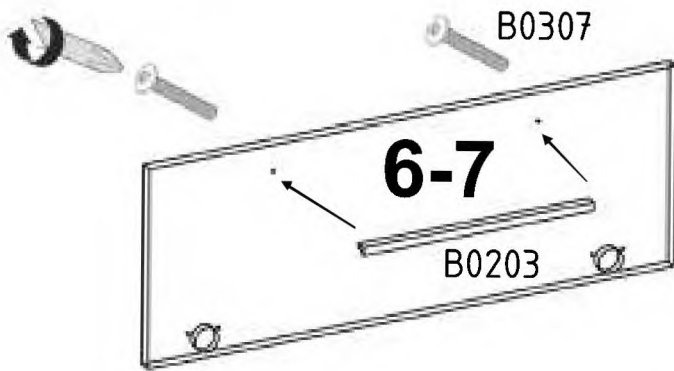
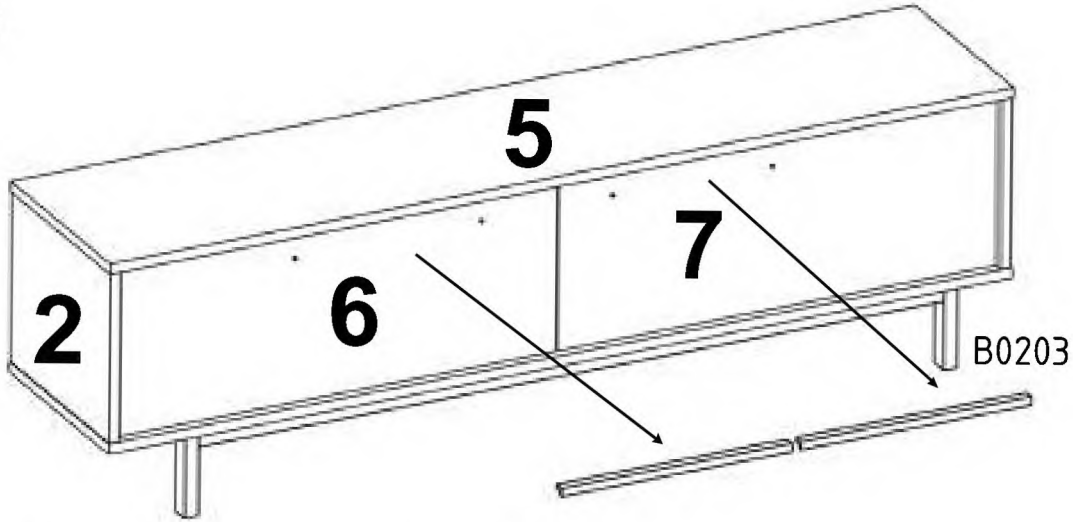


4

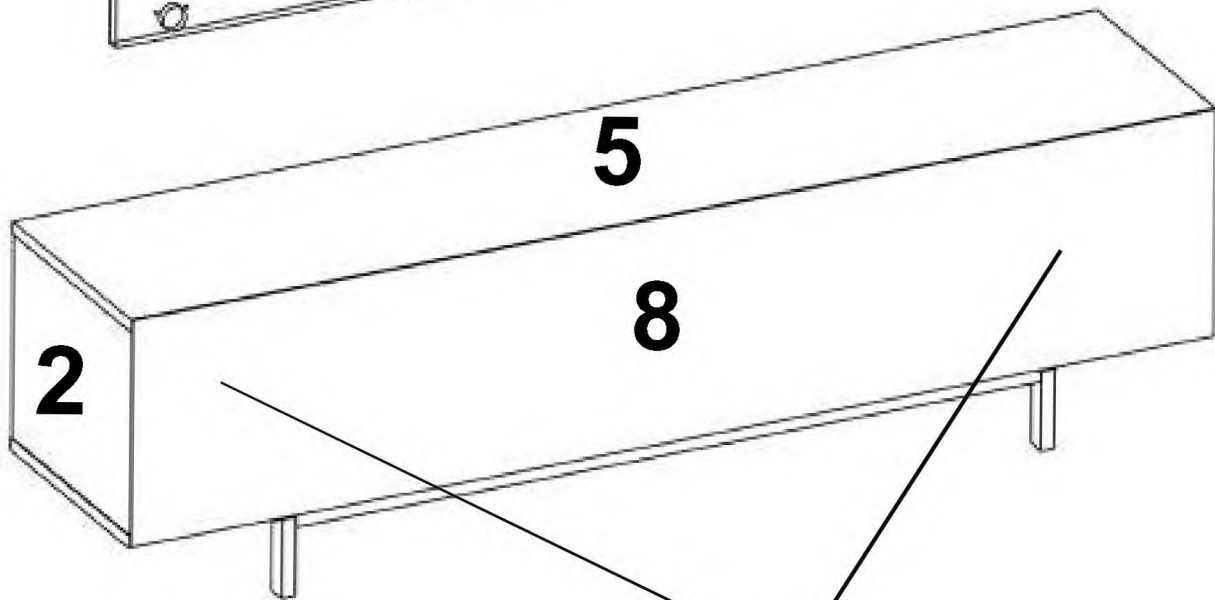




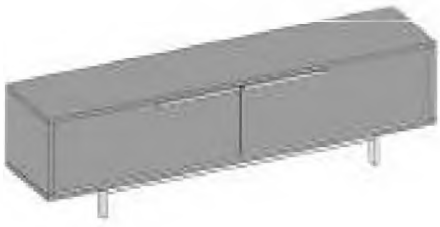
5



6



5



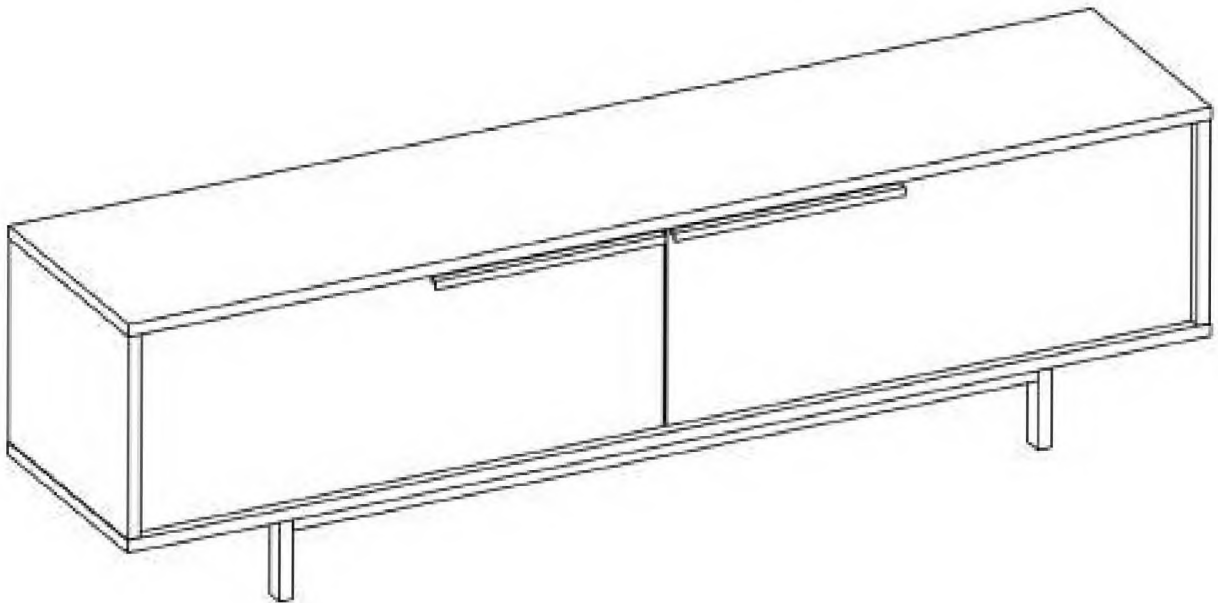
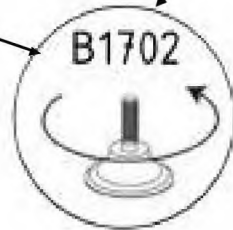
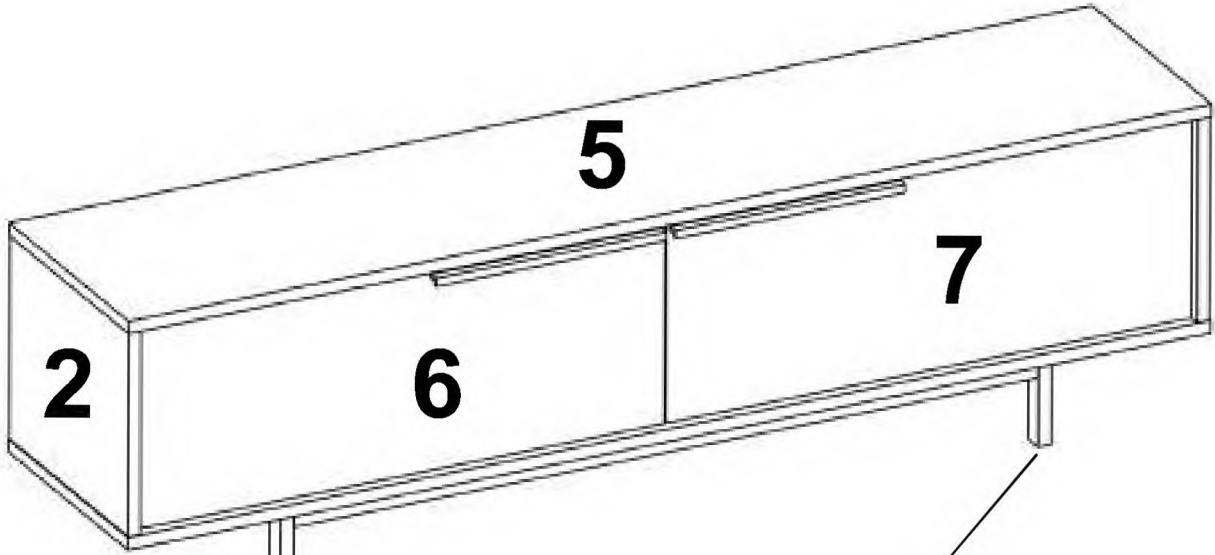
B1702



x4



7



6