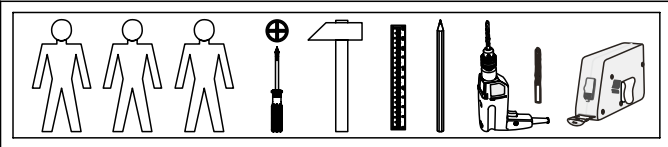
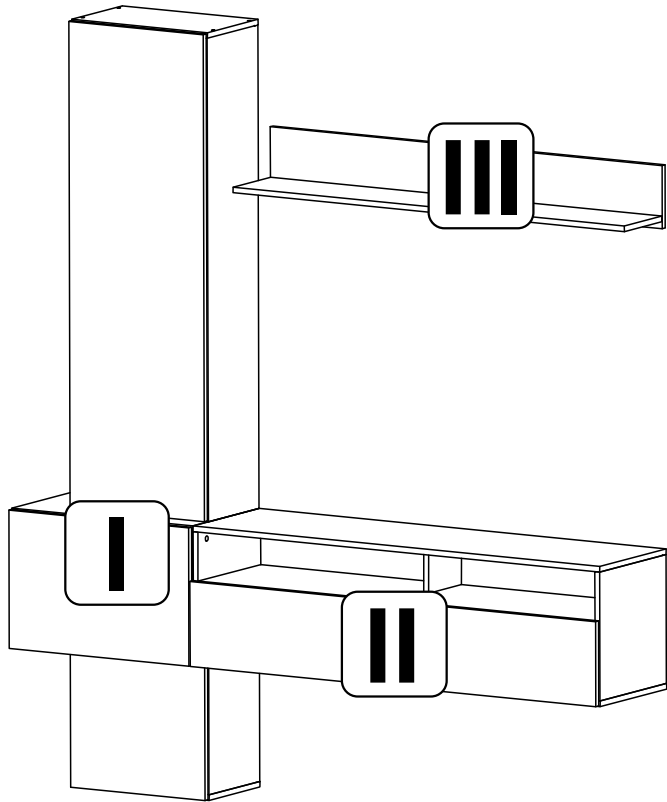


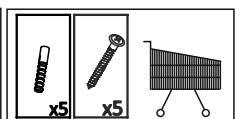
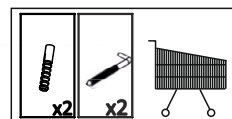
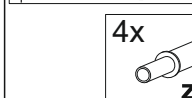
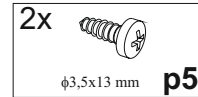
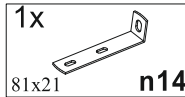
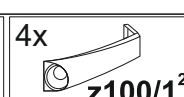
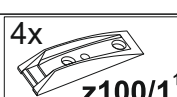
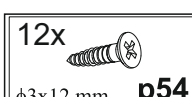
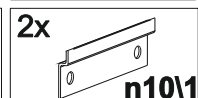
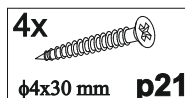
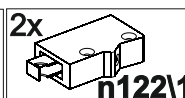
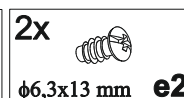
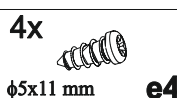
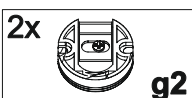
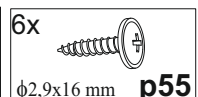
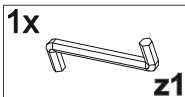
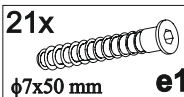
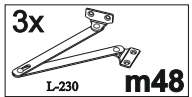
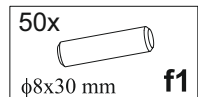
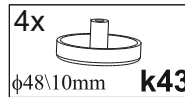
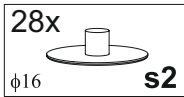
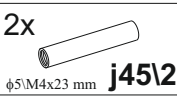
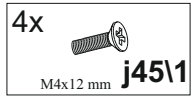
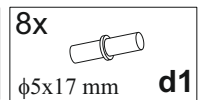
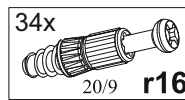
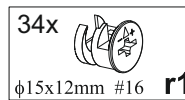
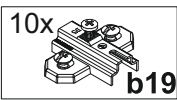
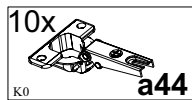
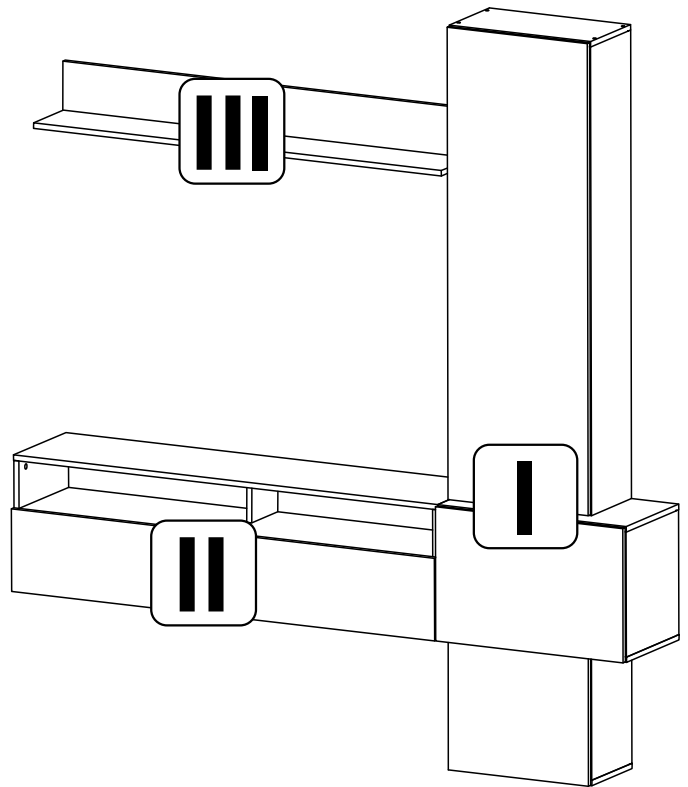
MONTÁŽNÍ/MONTÁŽNY NÁVOD WENDY



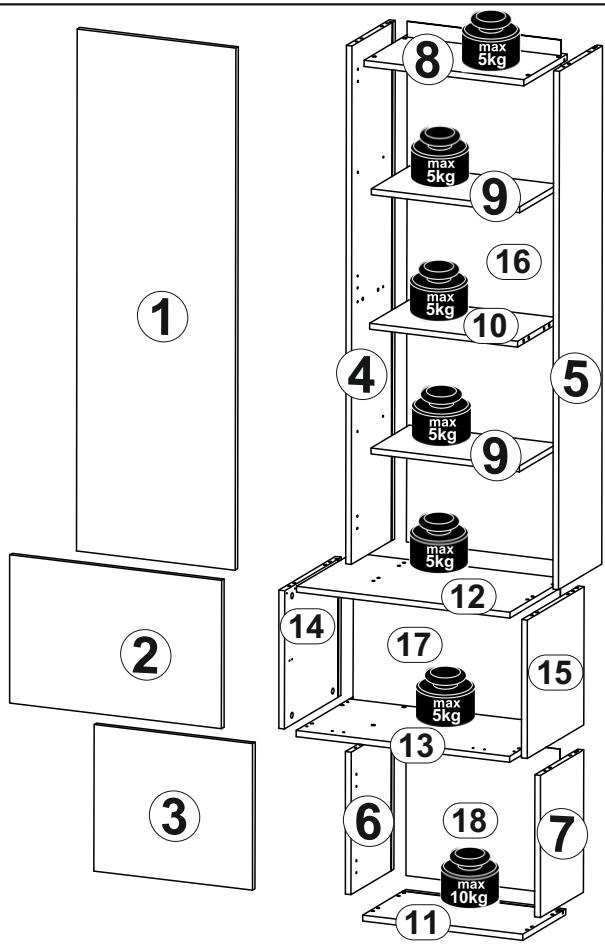
L



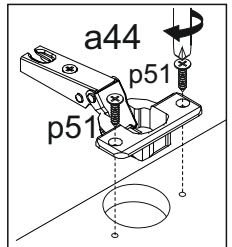
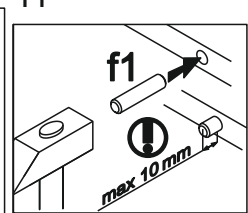
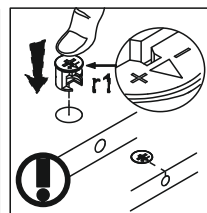
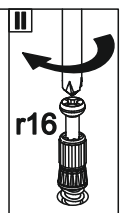
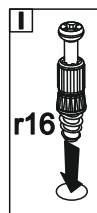
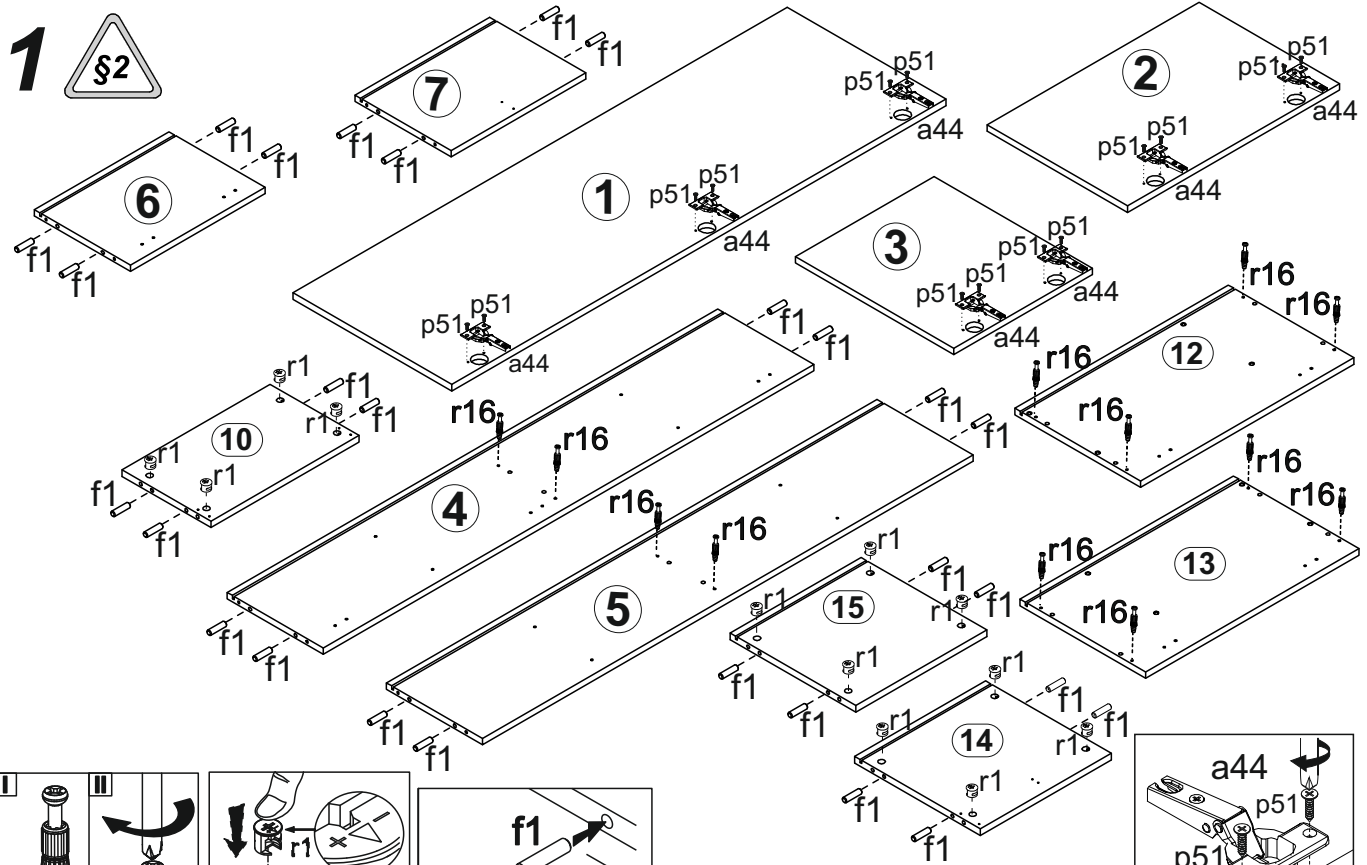
P

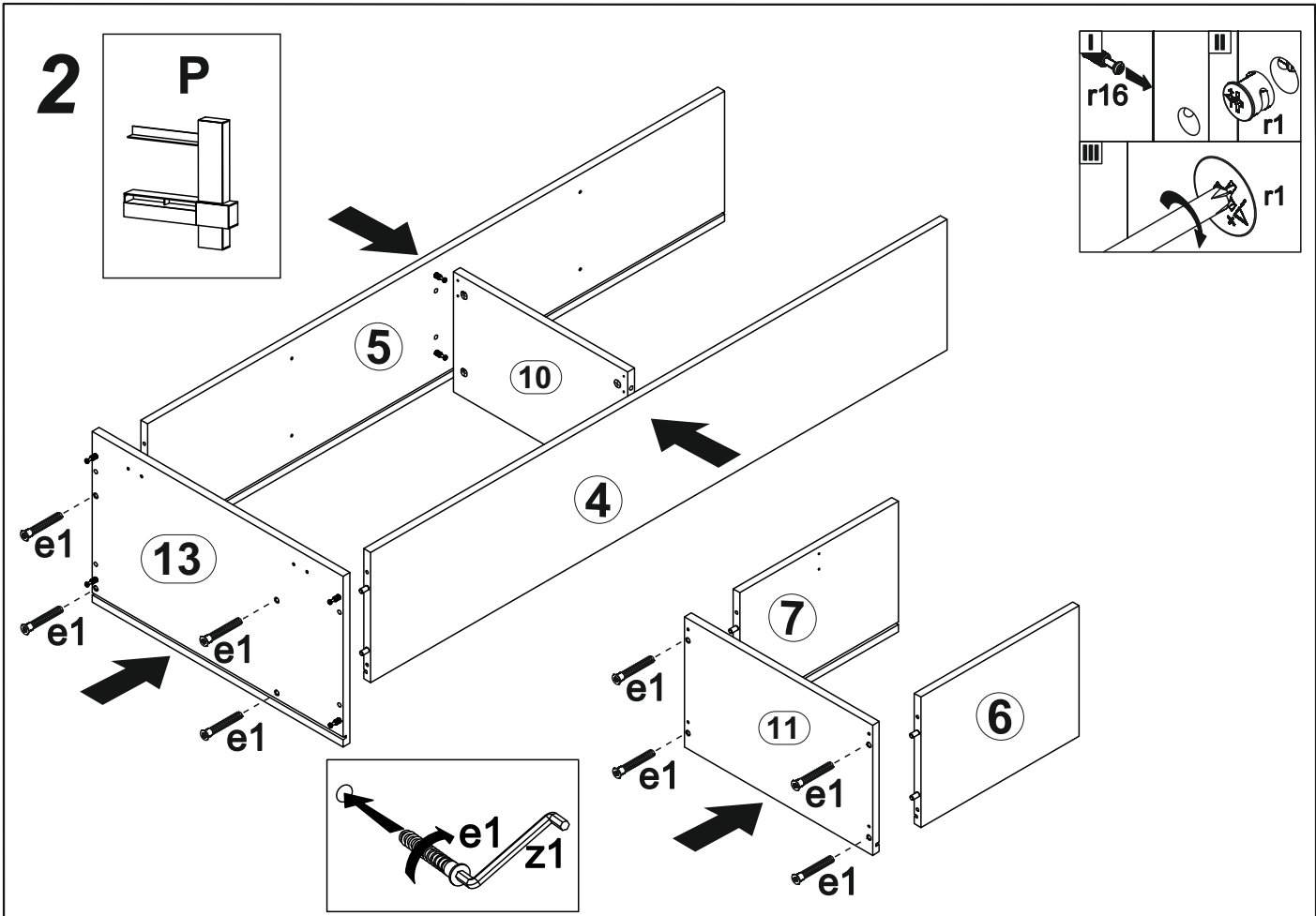
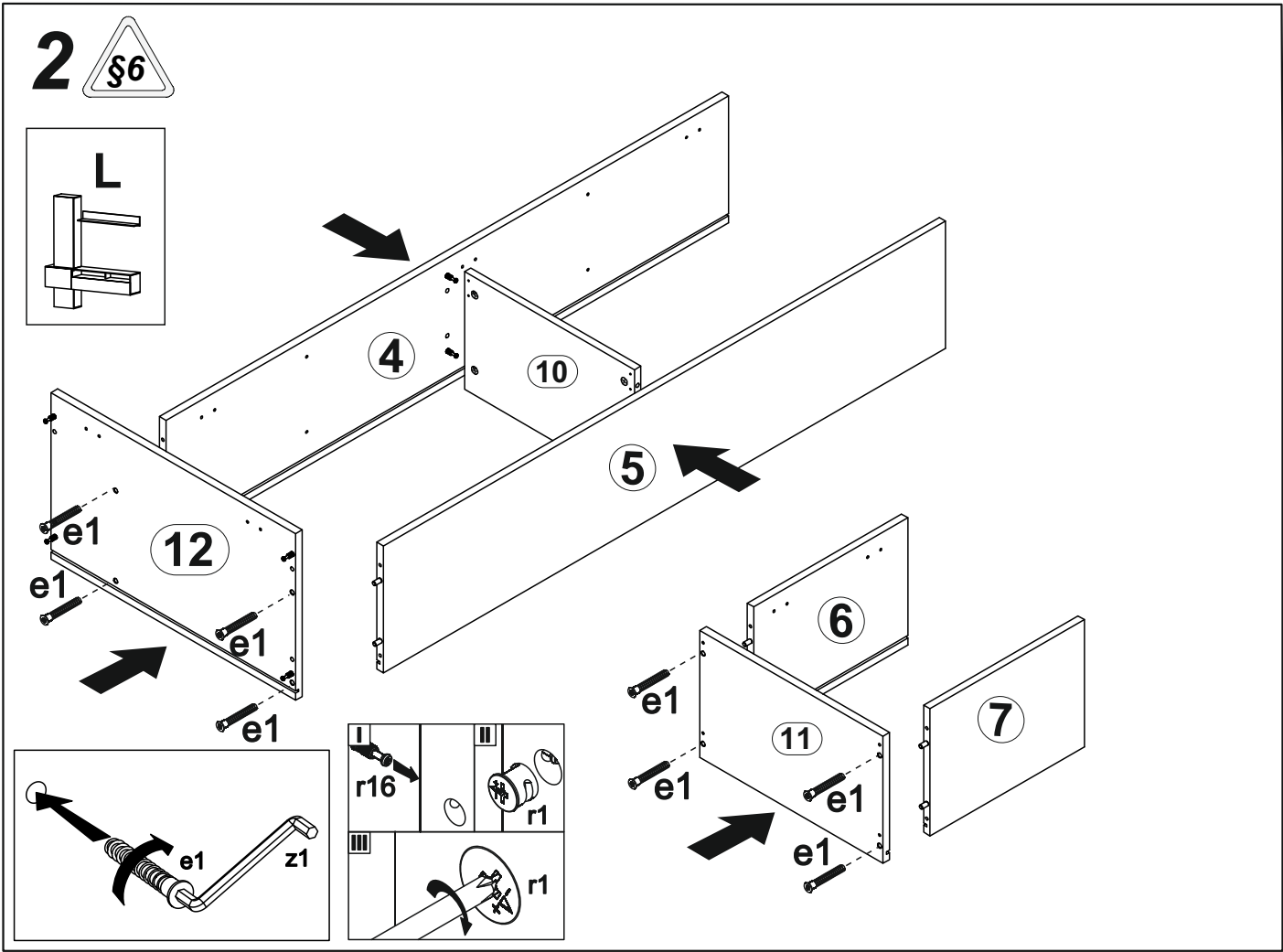


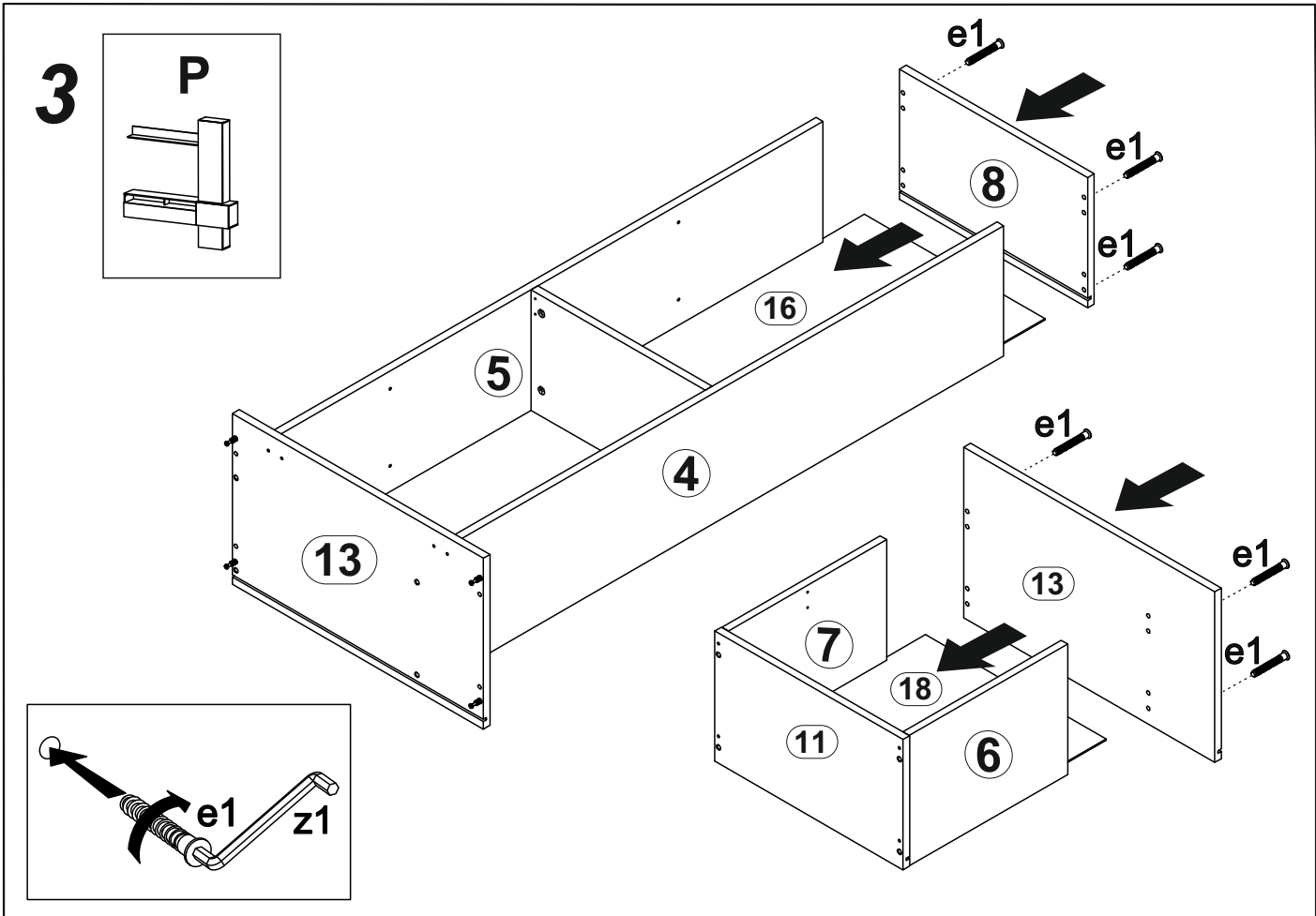
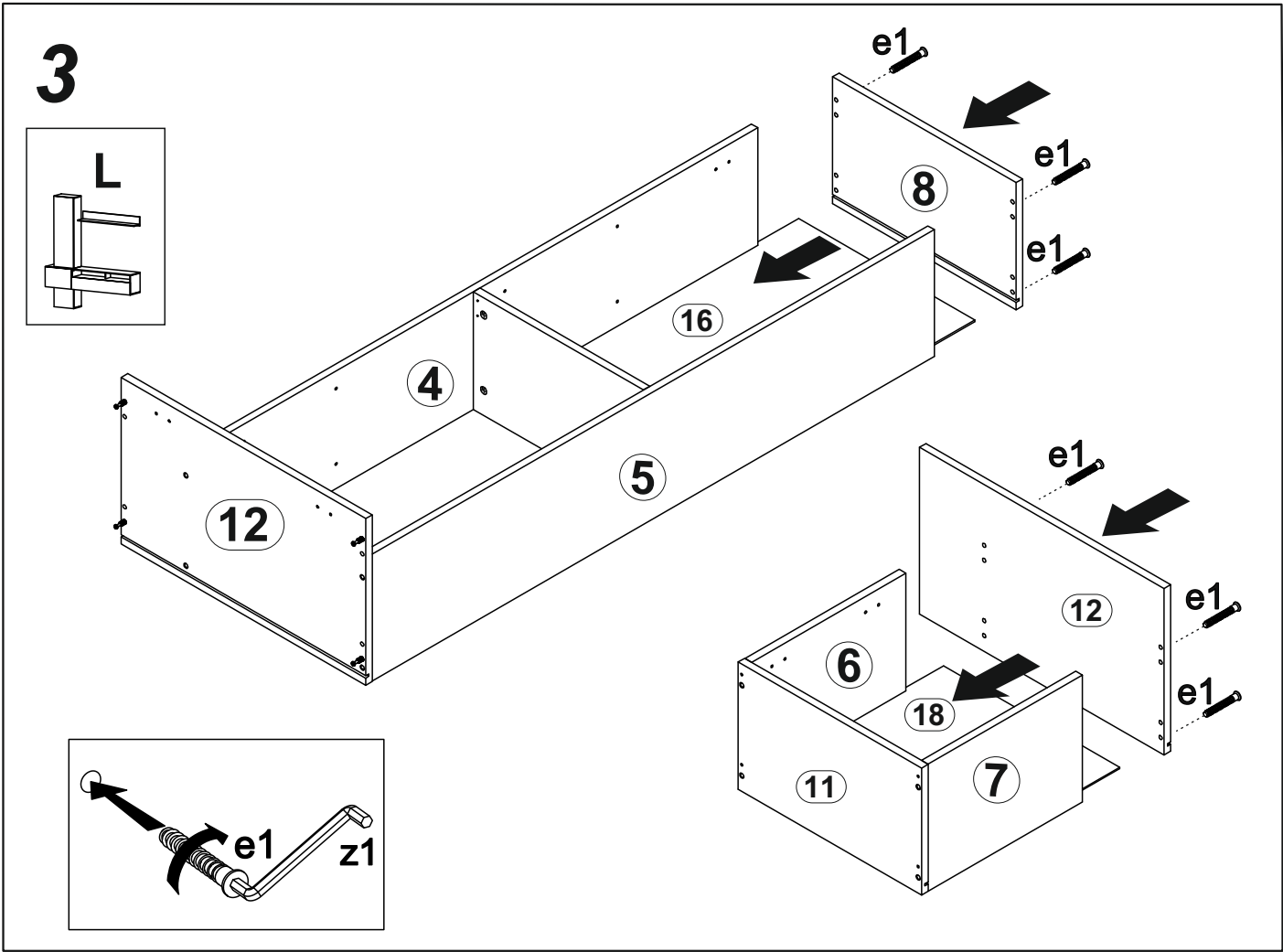
I



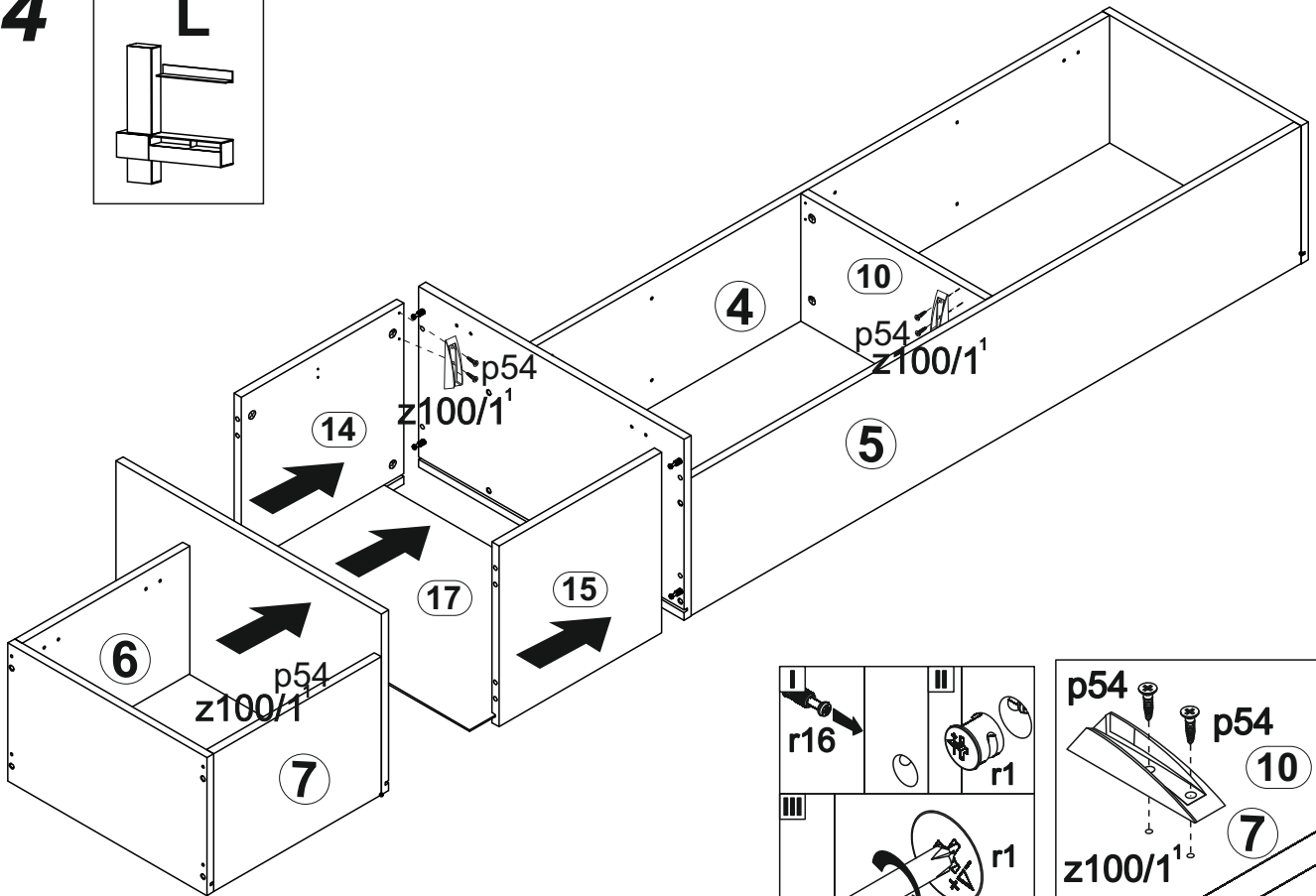
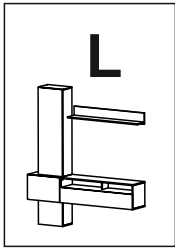
A	B	C	D	
1	FR1-004	1390	446	3/3
2	FR1-003	596	395	3/3
3	FR1-005	390	446	3/3
4	FR1-108	1380	270	2/3
5	FR1-109	1380	270	2/3
6	FR1-110	379	270	2/3
7	FR1-111	379	270	2/3
8	FR1-205	450	270	2/3
9	FR1-303	417	240	2/3
10	FR1-304	417	250	2/3
11	FR1-206	450	270	2/3
12	FR1-203	600	354	1/3
13	FR1-204	600	354	1/3
14	FR1-105	368	354	1/3
15	FR1-106	368	354	1/3
16	FR1-903	1386	432	3/3
17	FR1-902	582	383	3/3
18	FR1-904	386	432	3/3



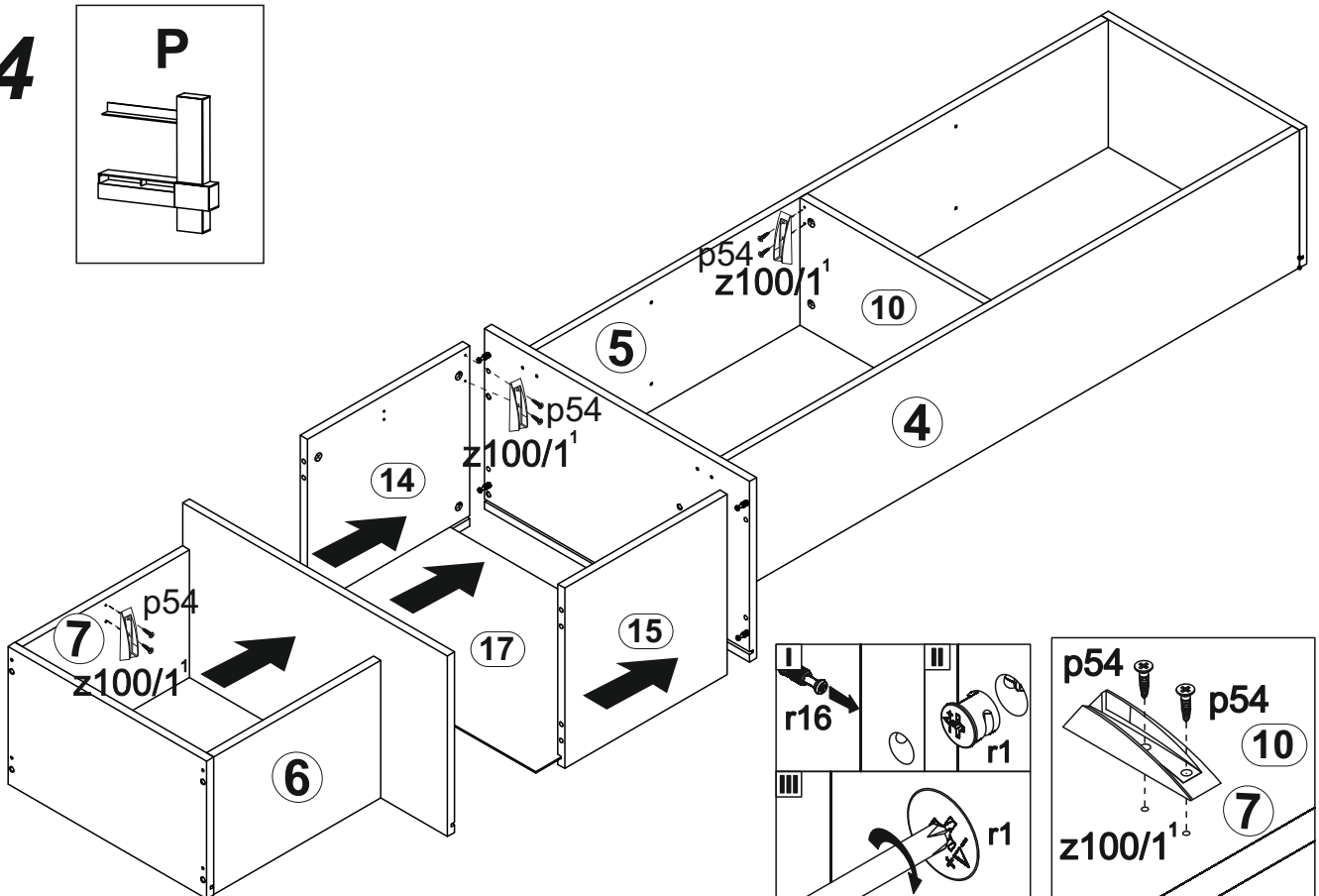
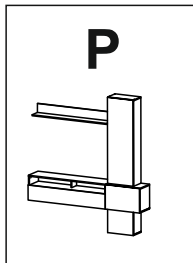




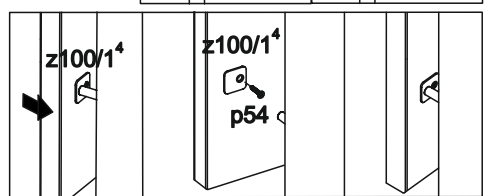
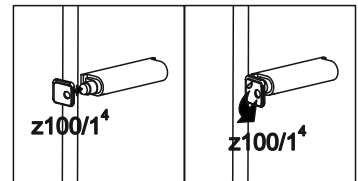
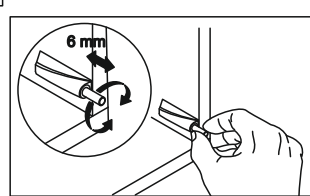
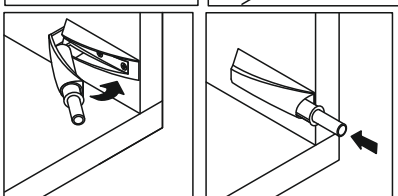
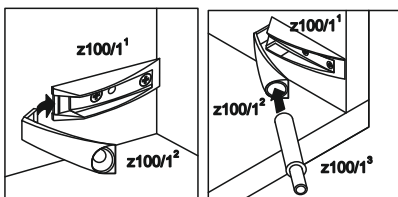
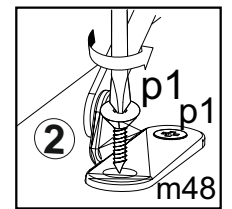
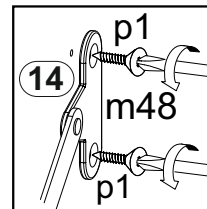
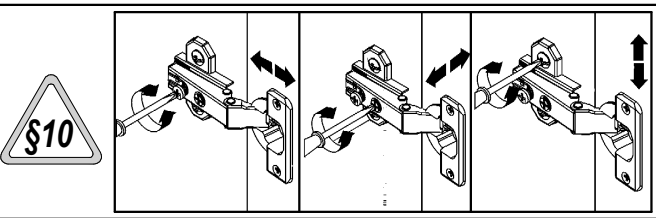
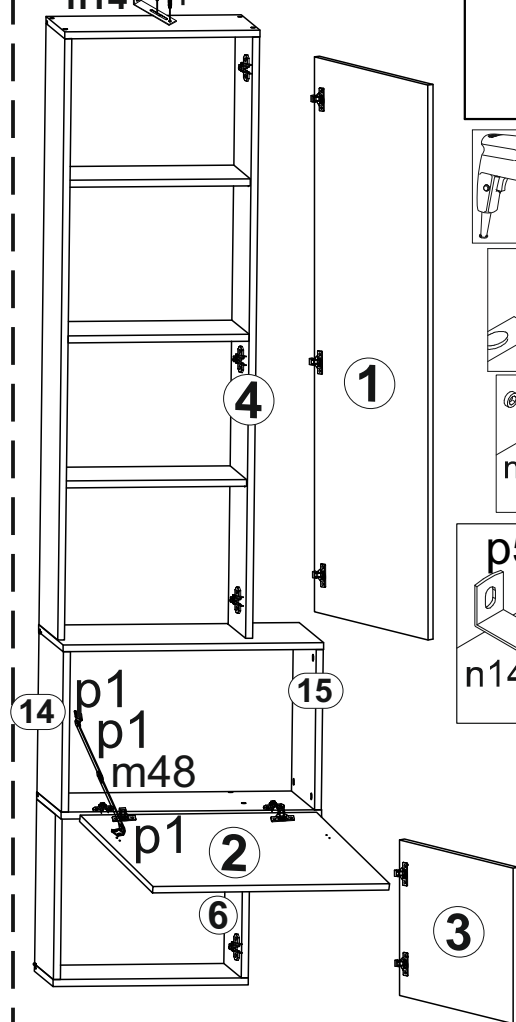
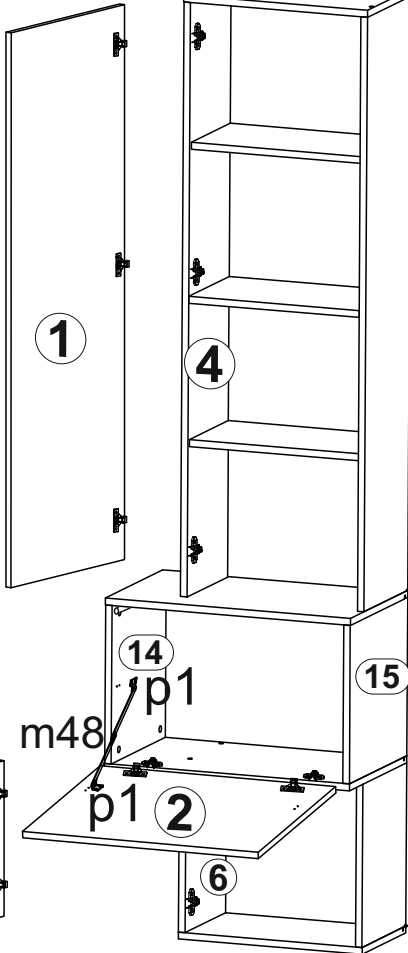
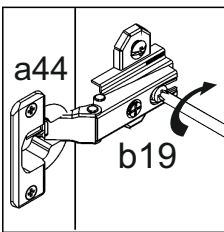
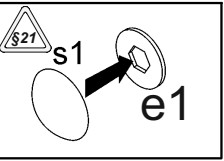
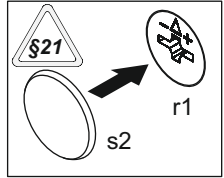
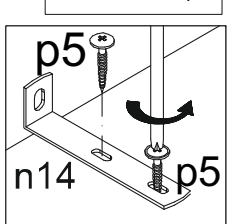
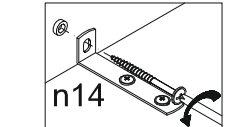
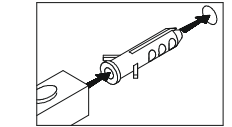
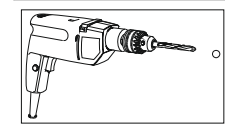
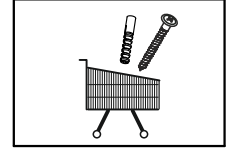
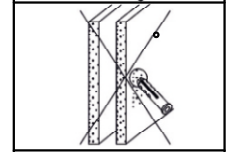
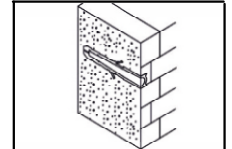
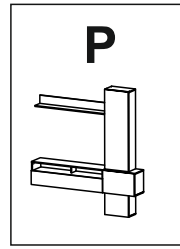
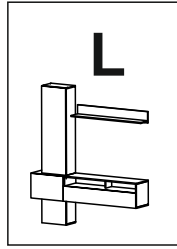
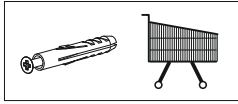
4



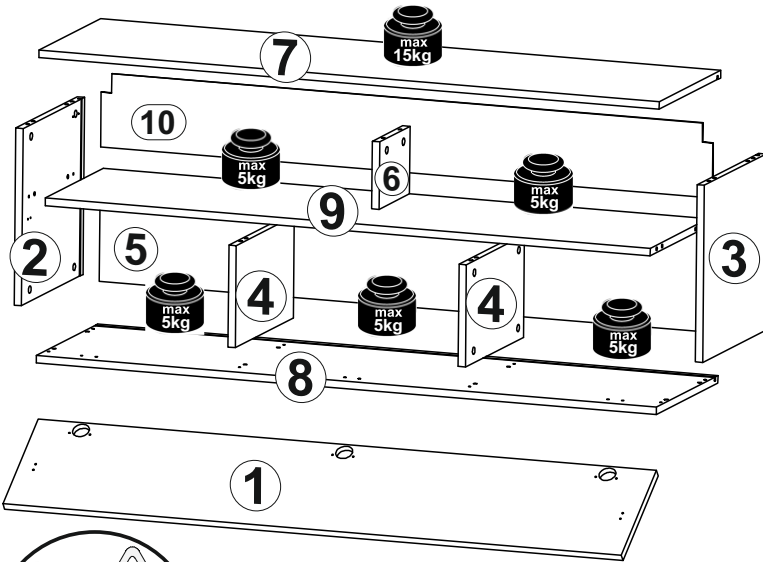
4



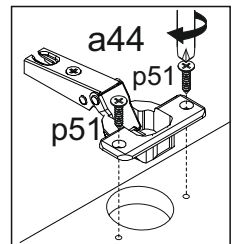
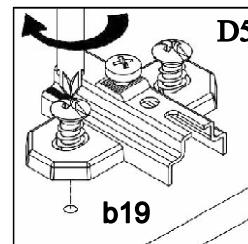
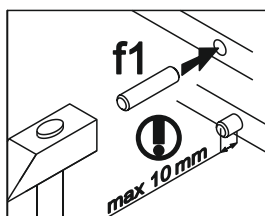
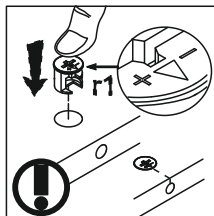
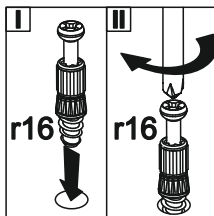
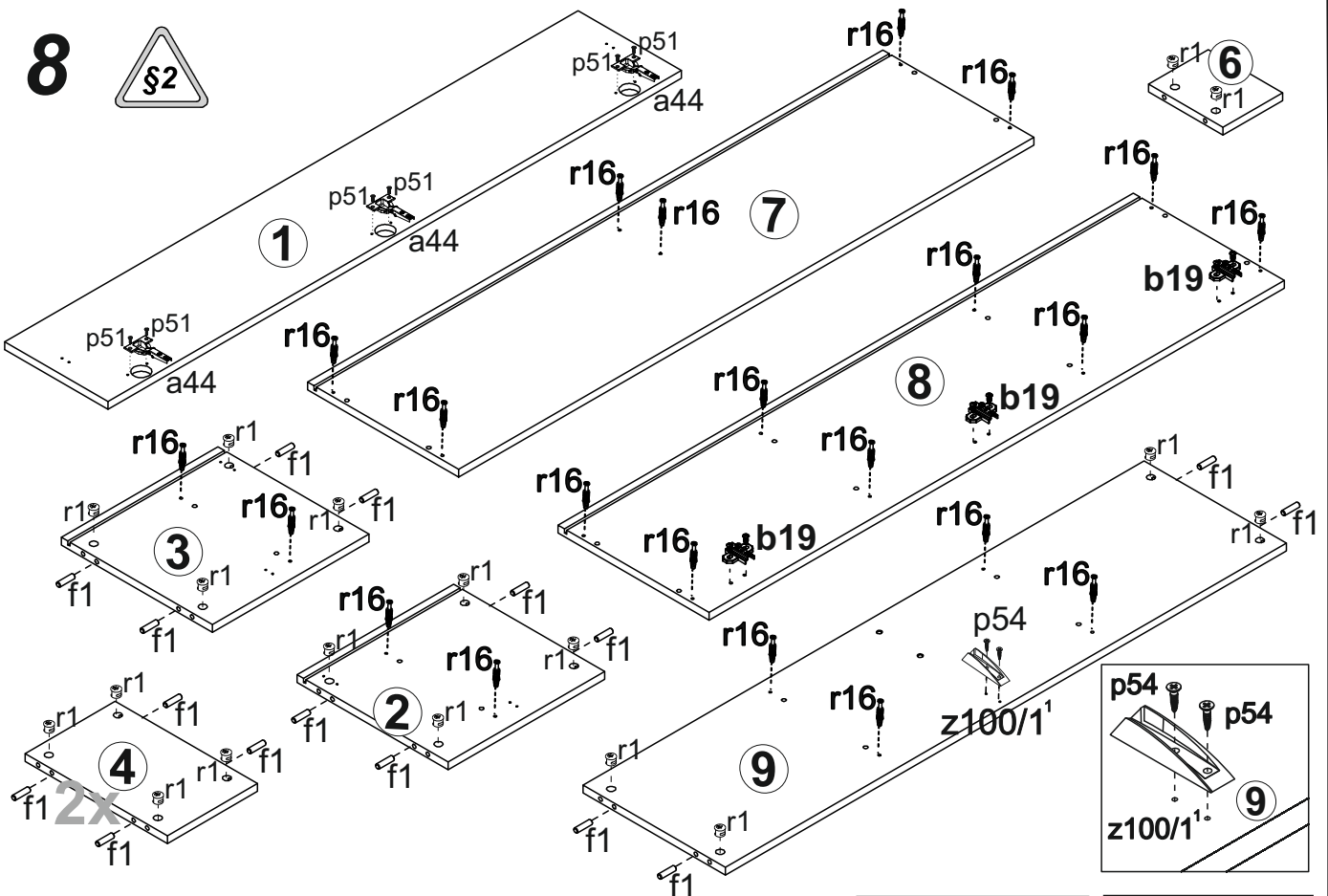
7



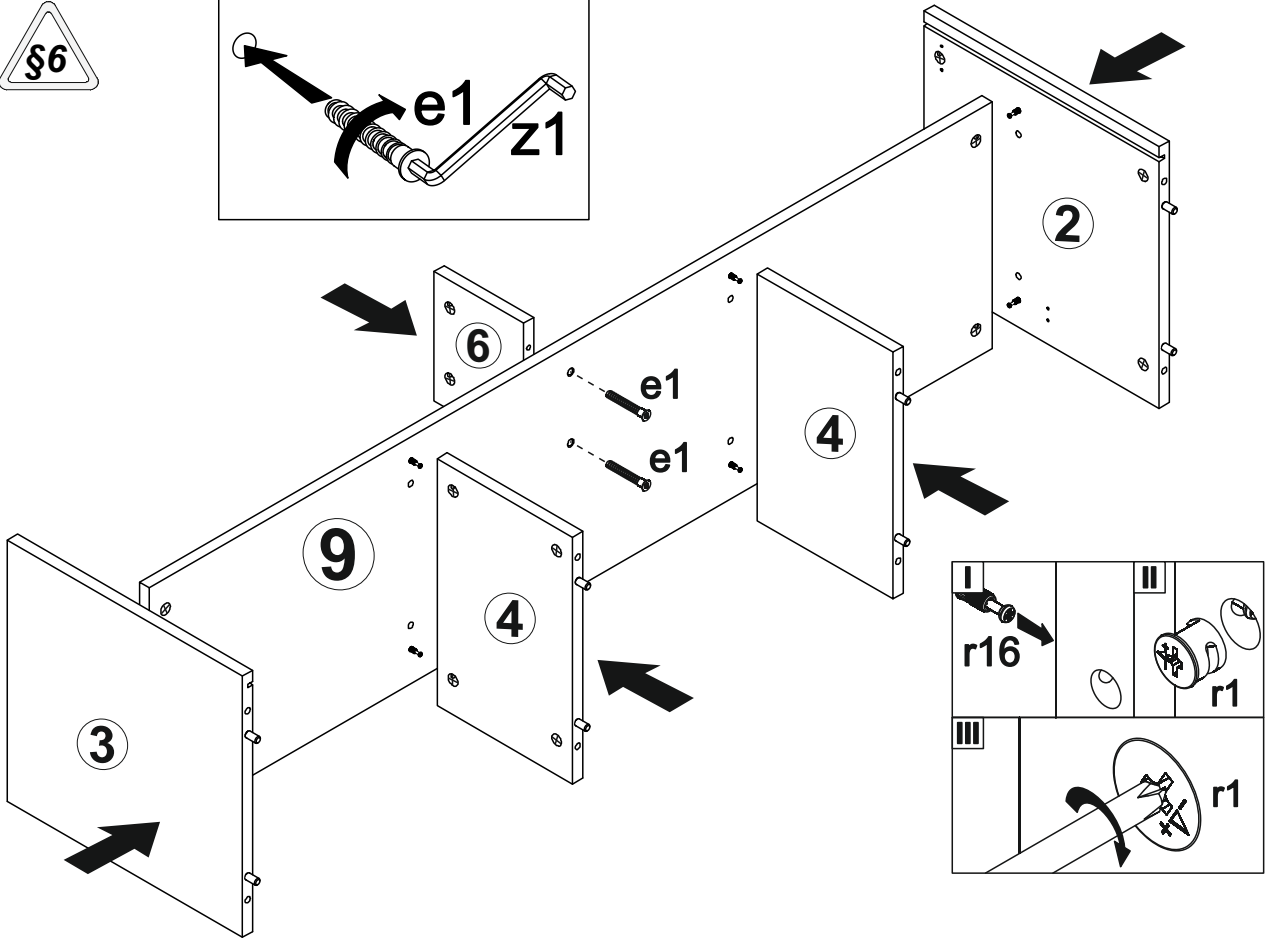
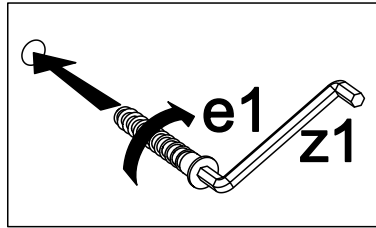
II



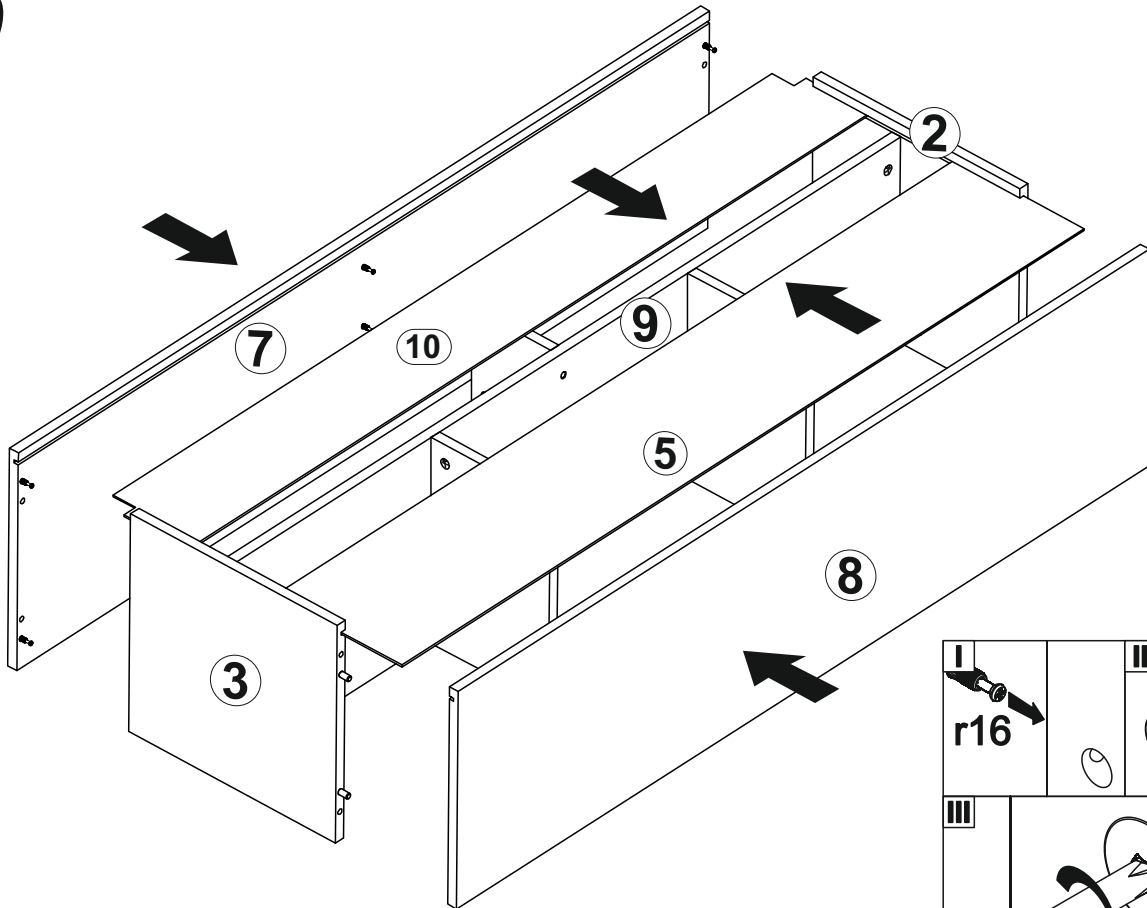
	A	B	C	D
1	FR1-002	1346	243	3/3
2	FR1-103	368	354	1/3
3	FR1-104	368	354	1/3
4	FR1-101	212	334	2/3
5	FR1-905	1332	228	2/3
6	FR1-401	140	175	2/3
7	FR1-201	1350	354	1/3
8	FR1-202	1350	354	1/3
9	FR1-301	1317	334	1/3
10	FR1-901	1332	154	2/3



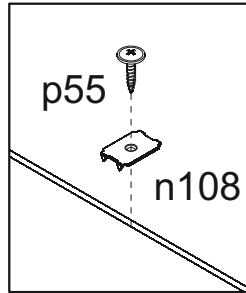
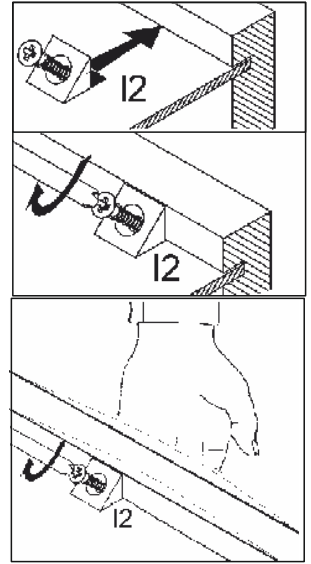
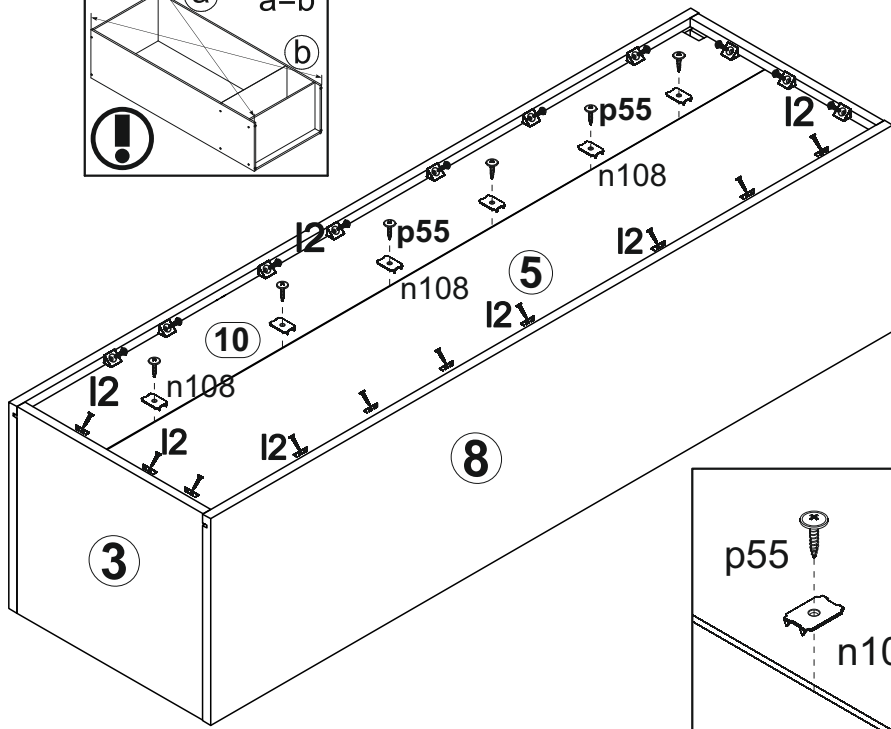
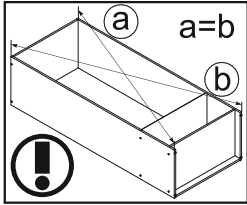
9



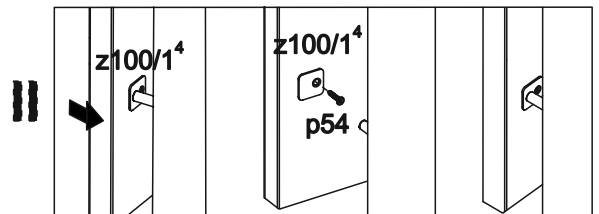
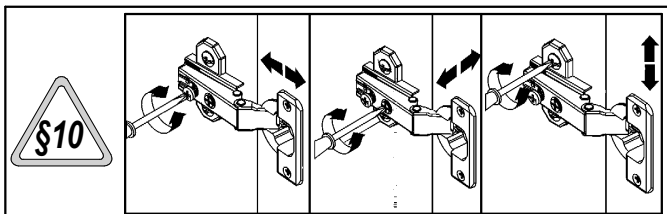
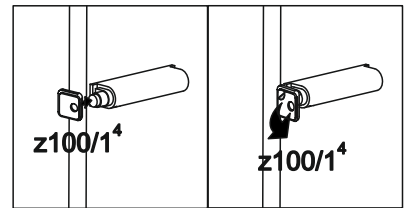
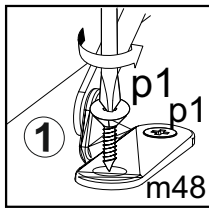
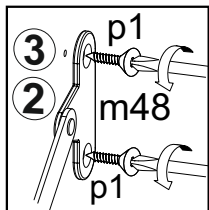
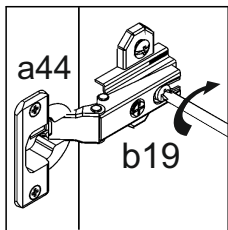
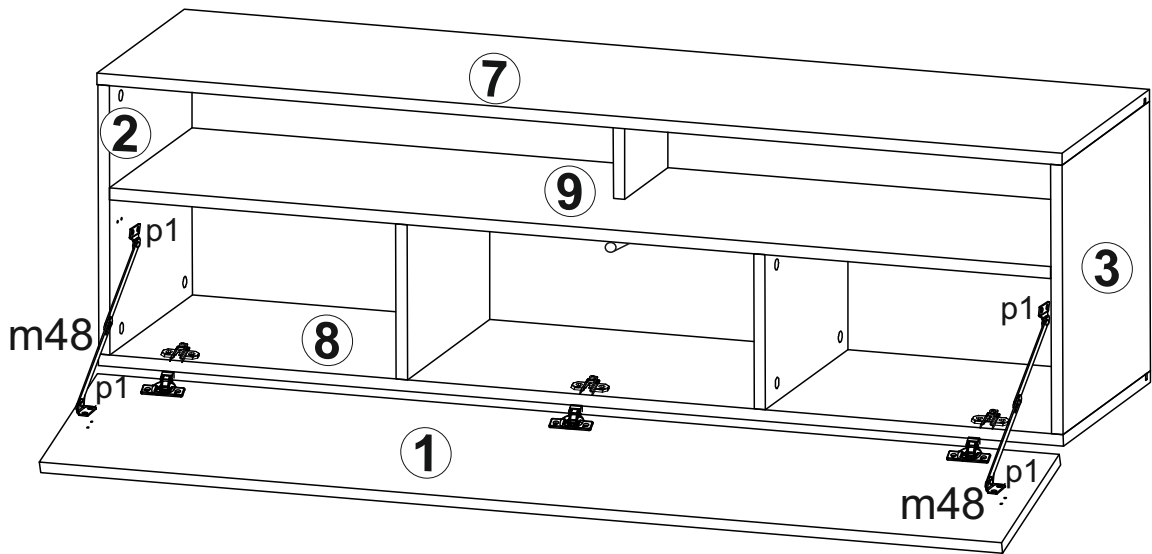
10

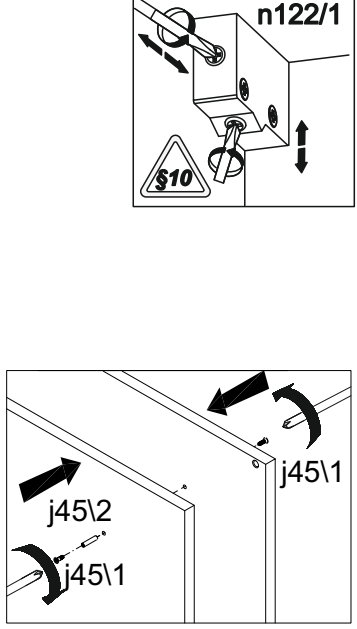
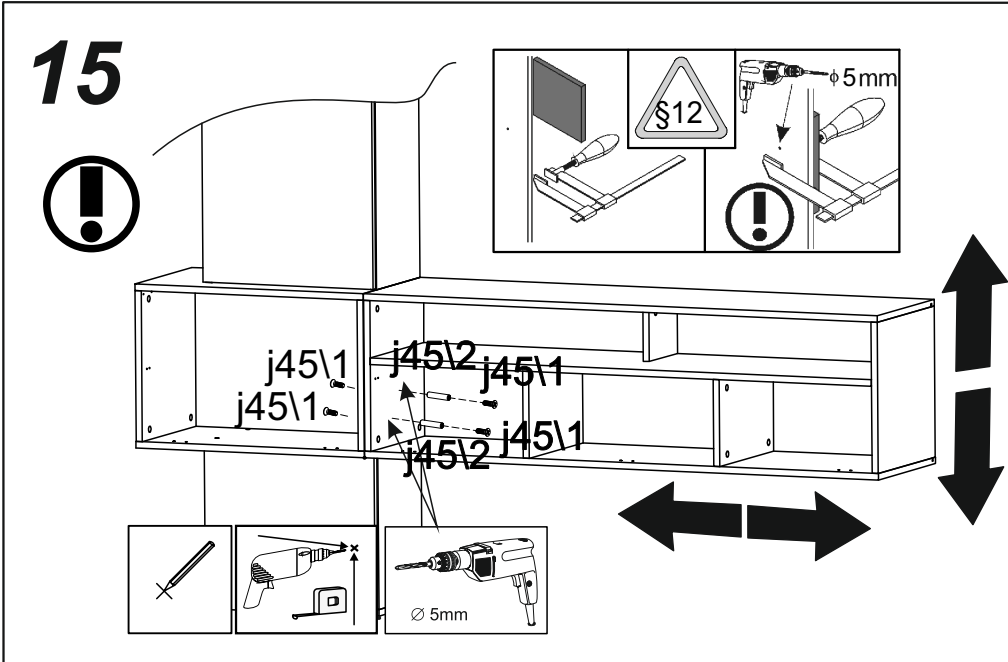
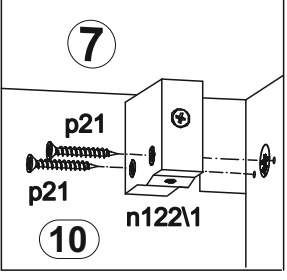
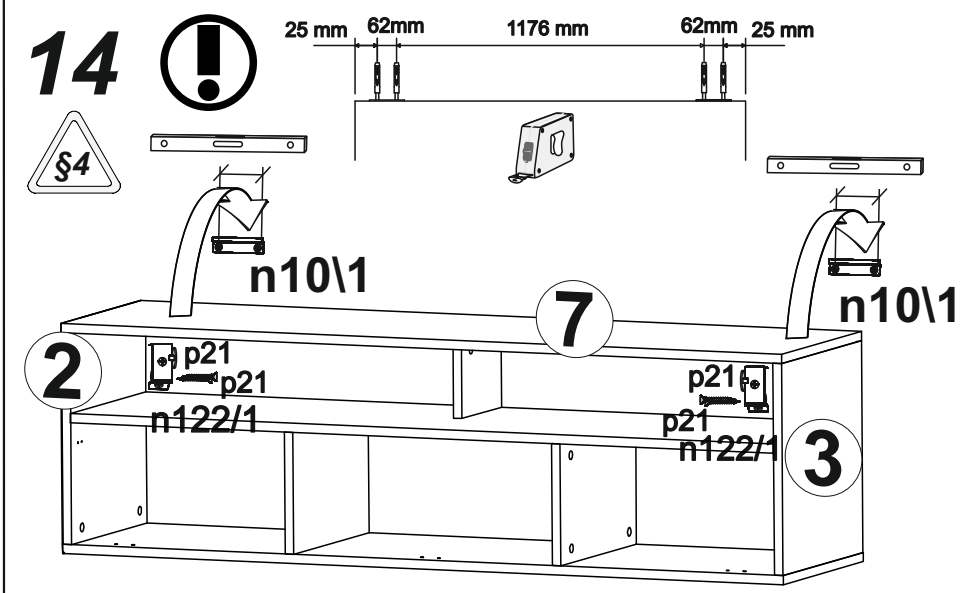
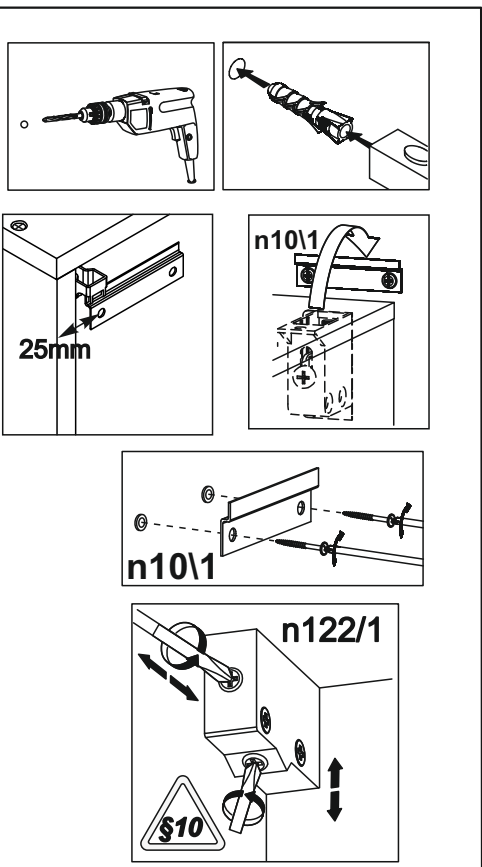
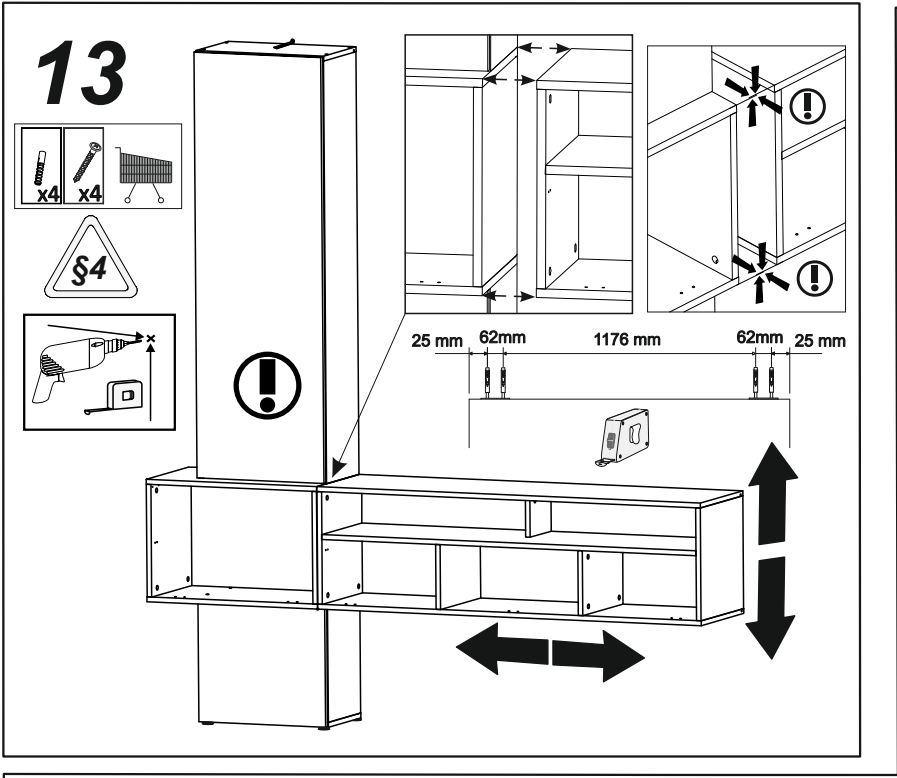


11



12







A	B	C	D
1	FR1-305	1298	200
2	FR1-402	1300	180

