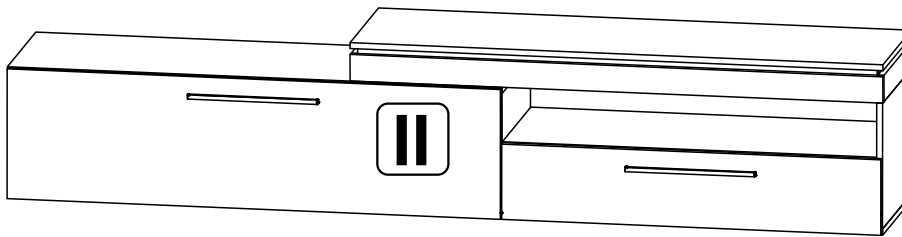
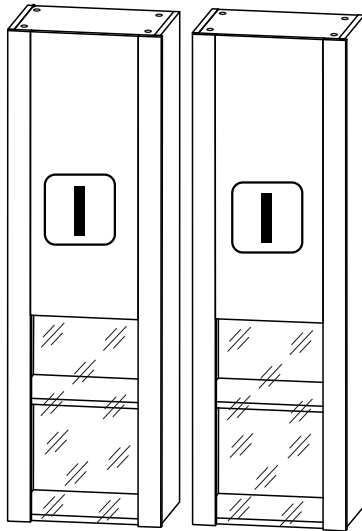
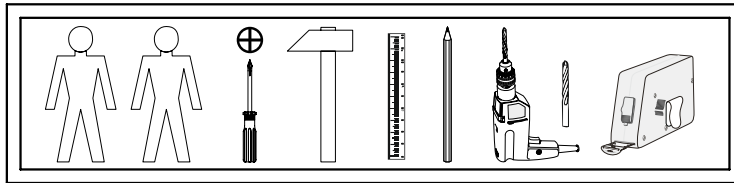
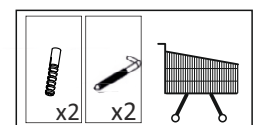
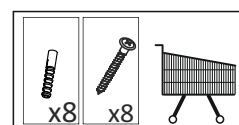


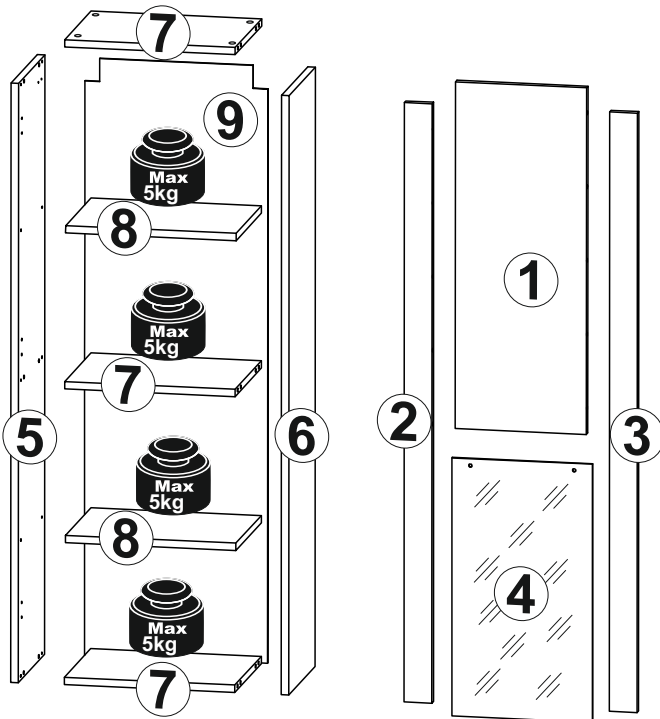
MONTÁŽNÍ/MONTÁŽNY NÁVOD LICHÍ



9x K0 a44	6x b35	3x D5 b19	97x r1 φ15x12mm #16	73x r16 20/9	62x f1 φ8x30 mm
130x l1	2x e2 φ6,3x13 mm	1x z1	10x p38 φ3,5x16 mm	2x g2	4x e4 φ5x11 mm
18x p51 φ3,5x15 mm	16x d1 φ5x17 mm	9x e22 Ø7x28mm	9x e1 φ7x50 mm	2x c520 L 340 mm	6x p9 φ4x30 mm
4x w208/1 400	4x w208/2 400	8x e32 φ5x50 mm	12x e3 φ6x13 mm	12x p140 Ø3,5x12 mm	2x m48 L-230
8x p1 φ3,5x13 mm	73x s2 φ16	12x r10	10x f6 φ8x50 mm	4x n122/1	8x p21 φ4x30 mm
8x k55 60x60/25 mm	16x p6 φ4x35 mm	8x l3 3 mm	8x p52 φ3x16 mm	4x o1	4x n10



I

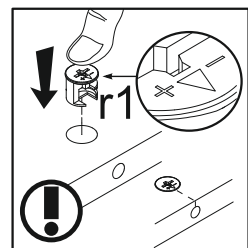
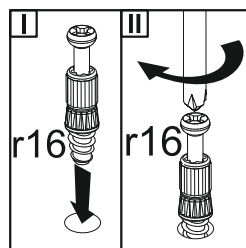
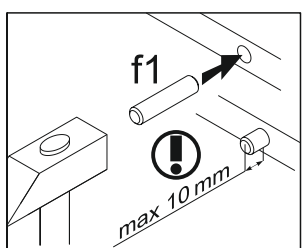
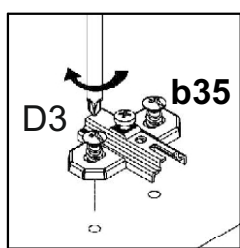
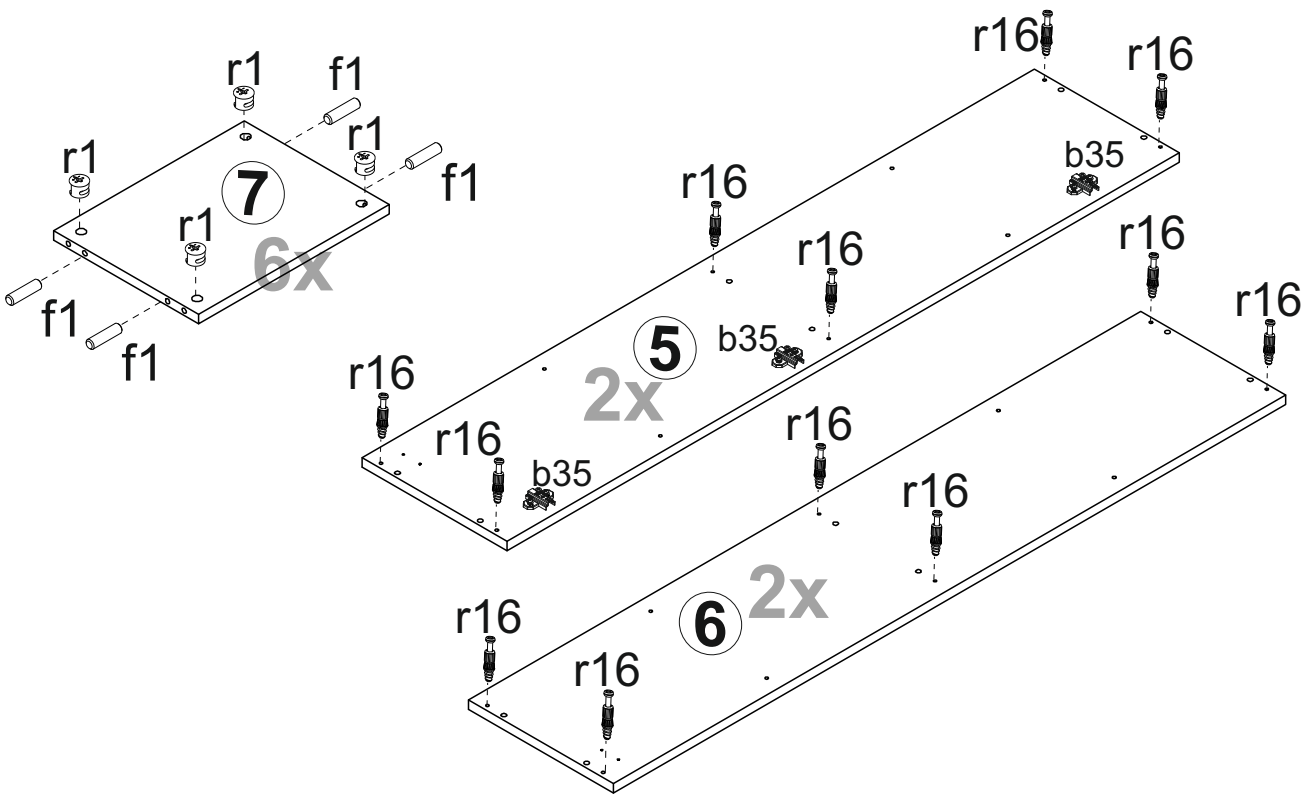
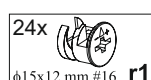
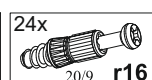
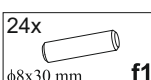


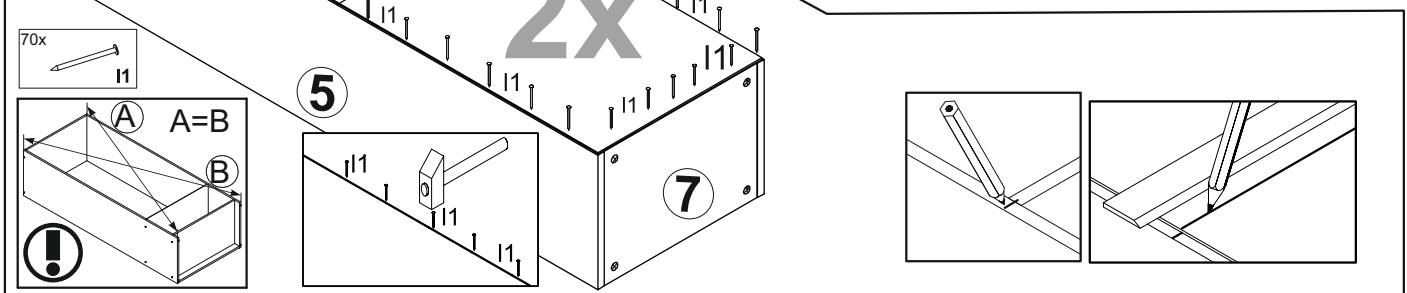
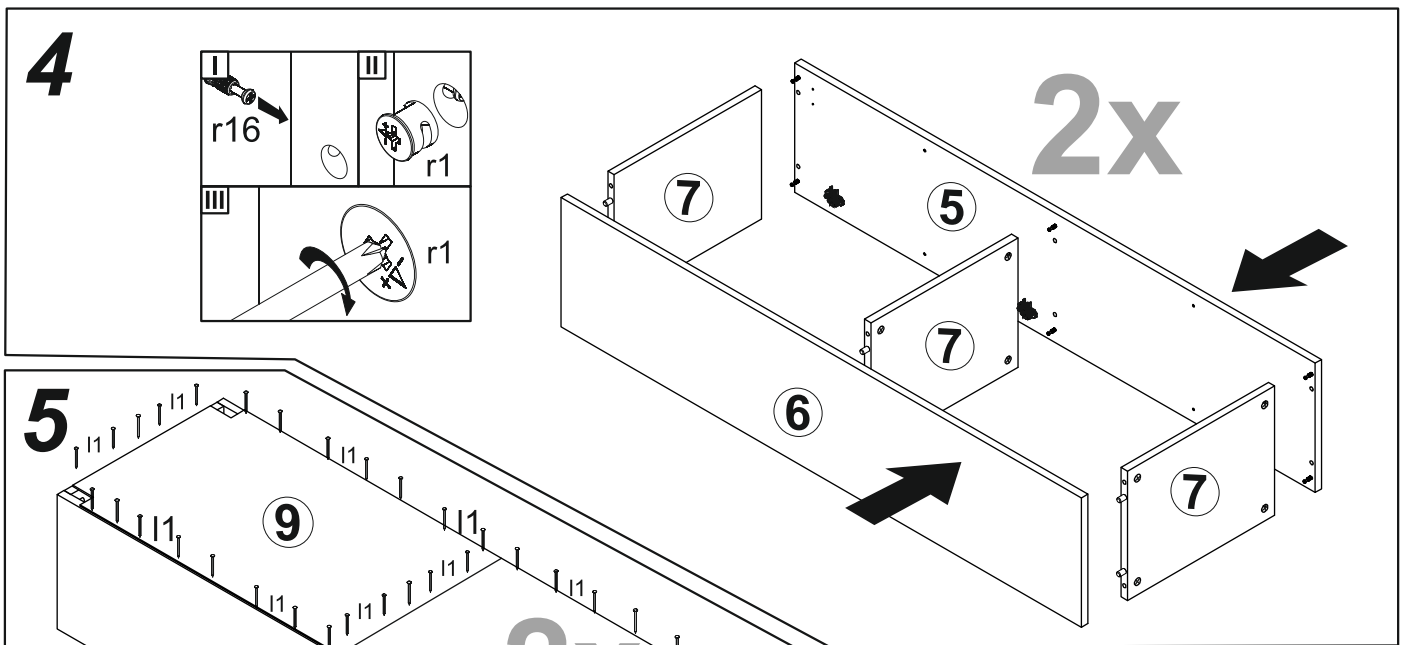
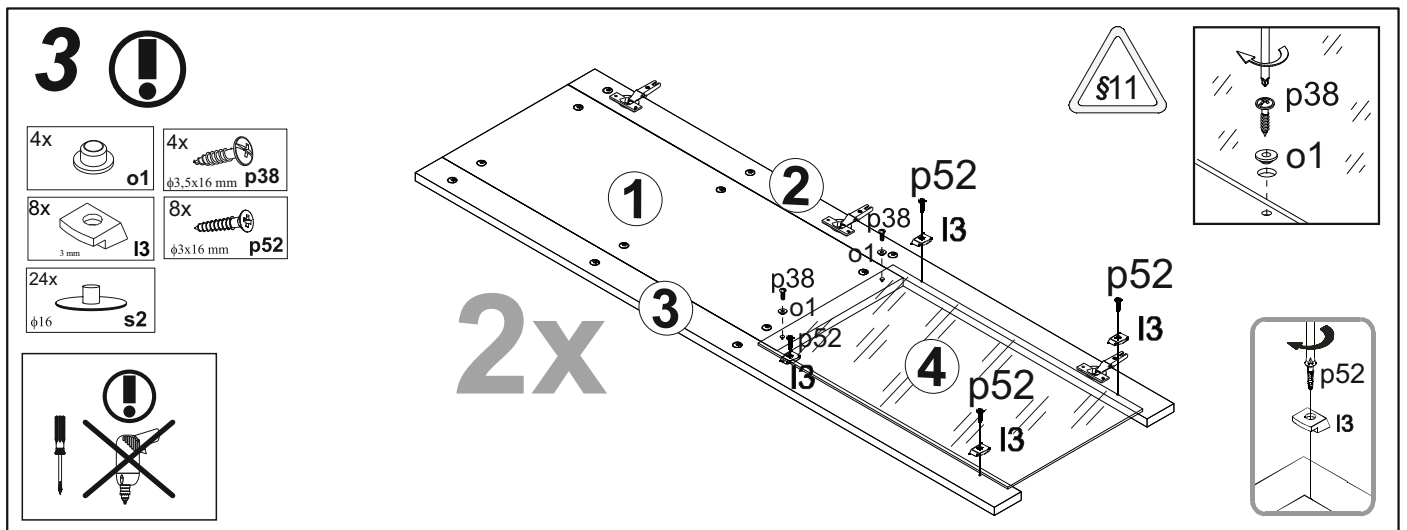
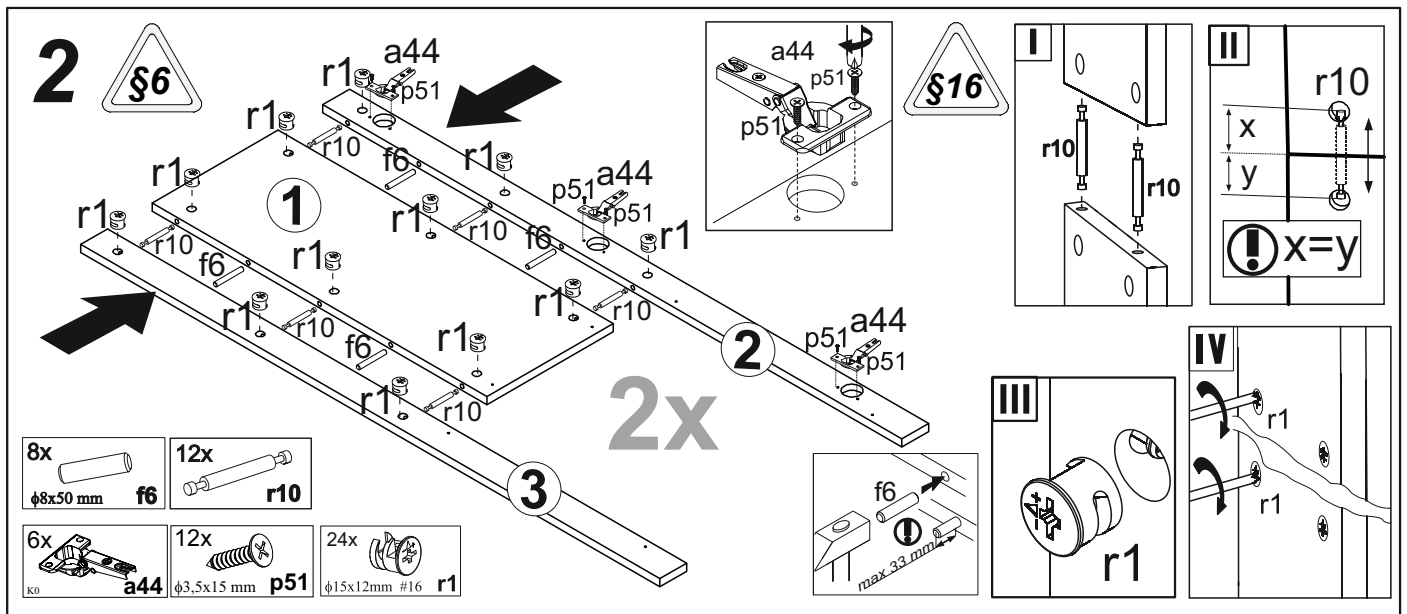
A	B	C	D	
1	SW1-003	752	283	3/3
2	SW1-404	1300	60	3/3
3	SW1-410	1300	60	3/3
4	SW1-504	560	303	2/3
5	SW1-105	1300	280	2/3
6	SW1-106	1300	280	2/3
7	SW1-302	368	280	1/3
8	SW1-304	368	270	1/3
9	SW1-904	1295	395	2/3



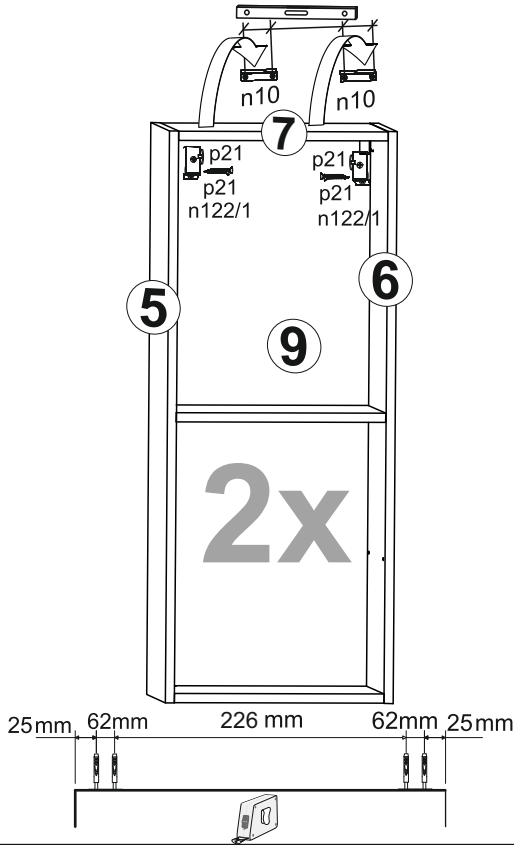
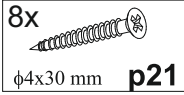
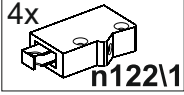
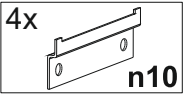
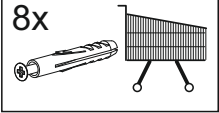
2x

1

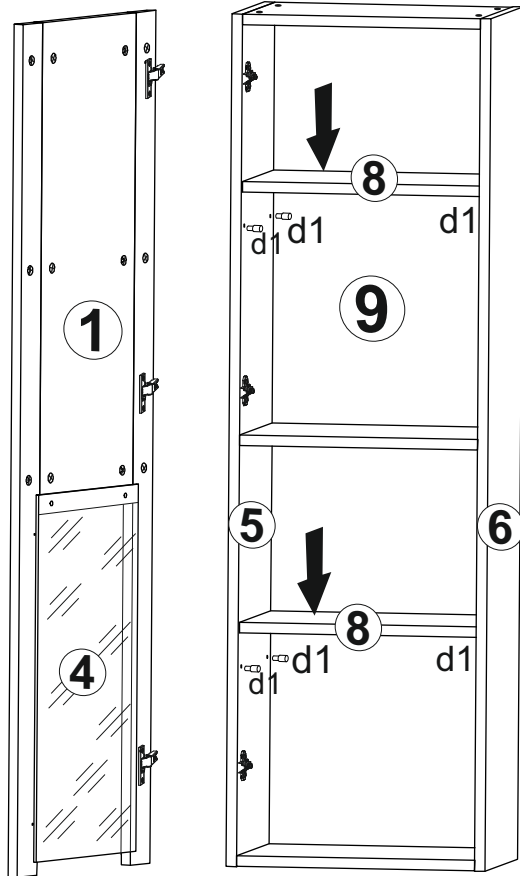
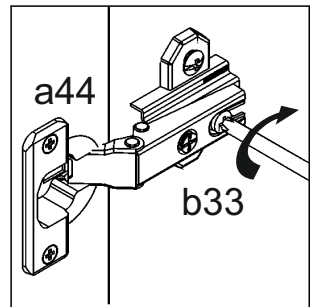
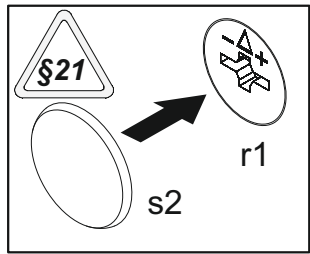
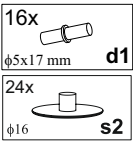




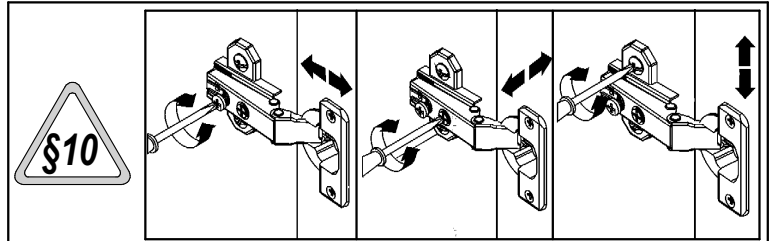
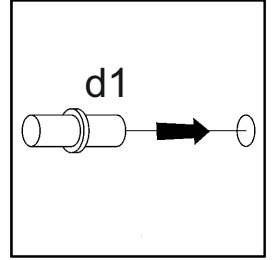
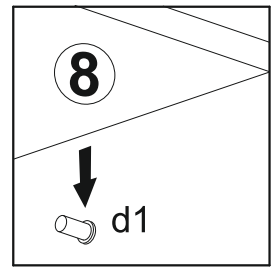
6



7

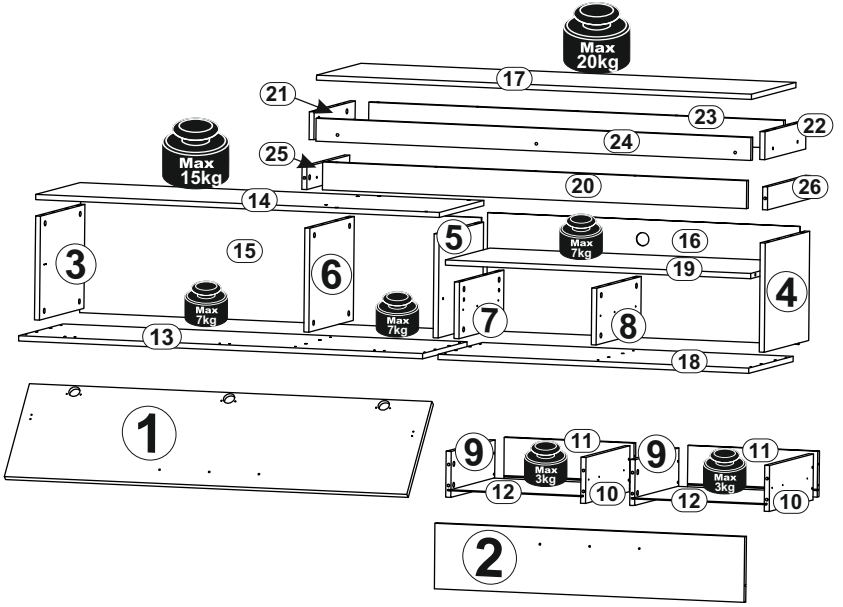


2x



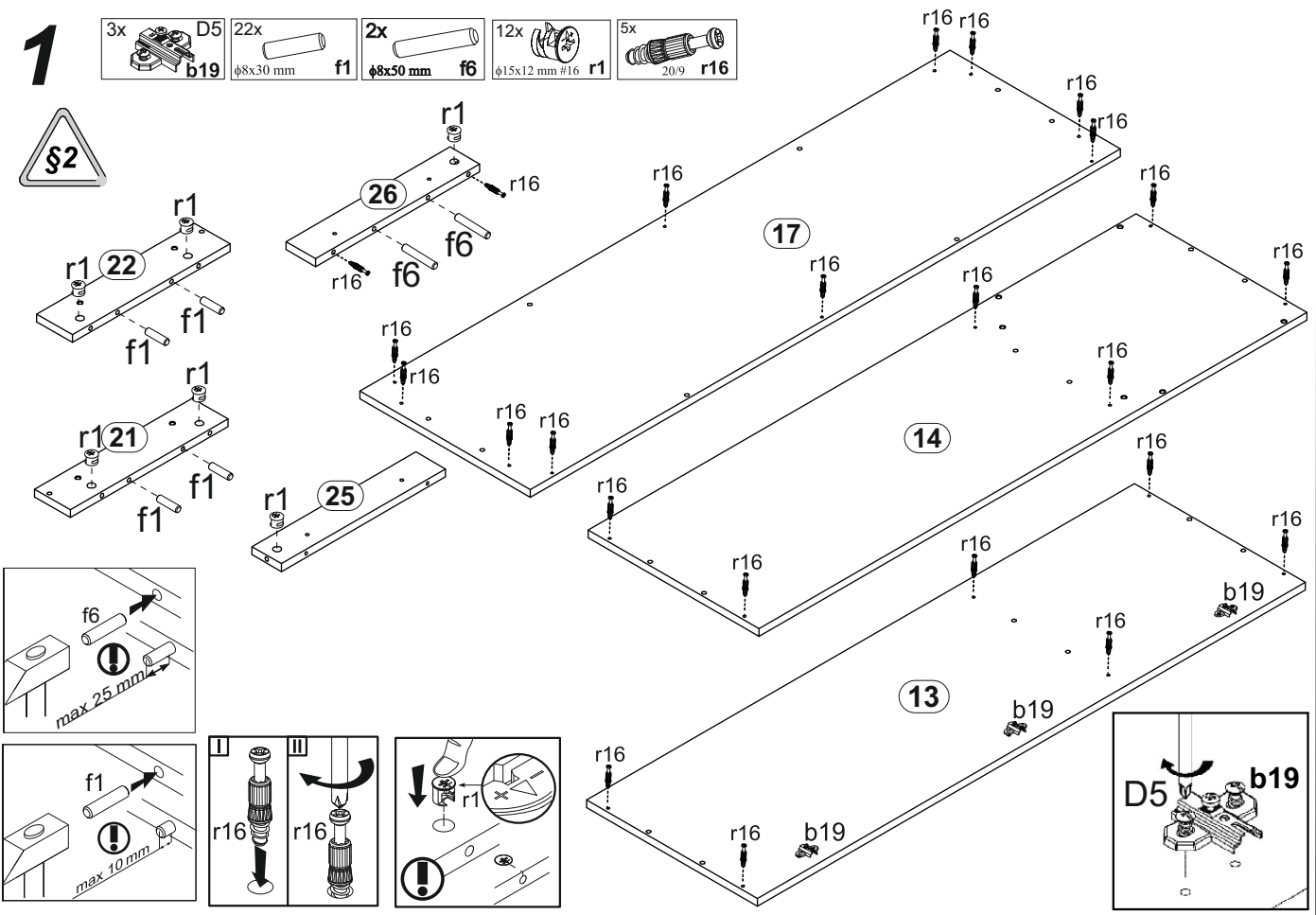


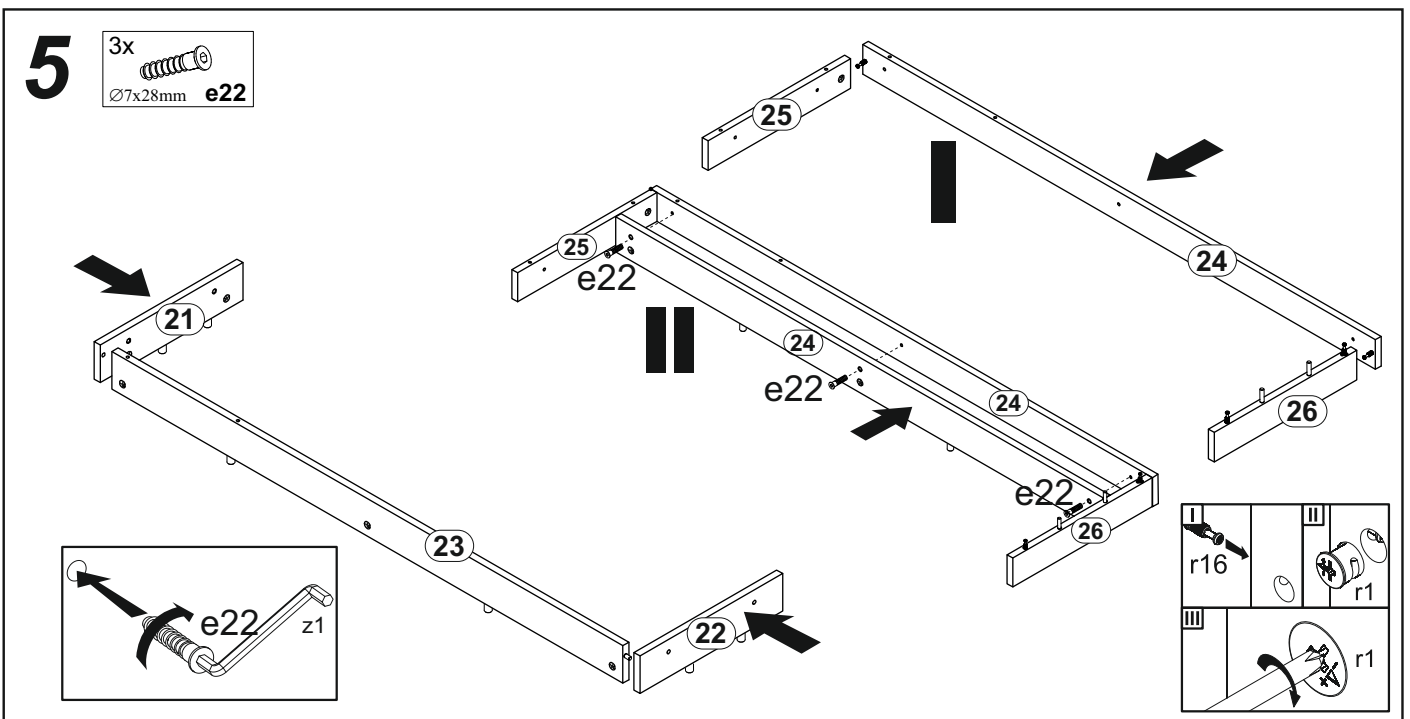
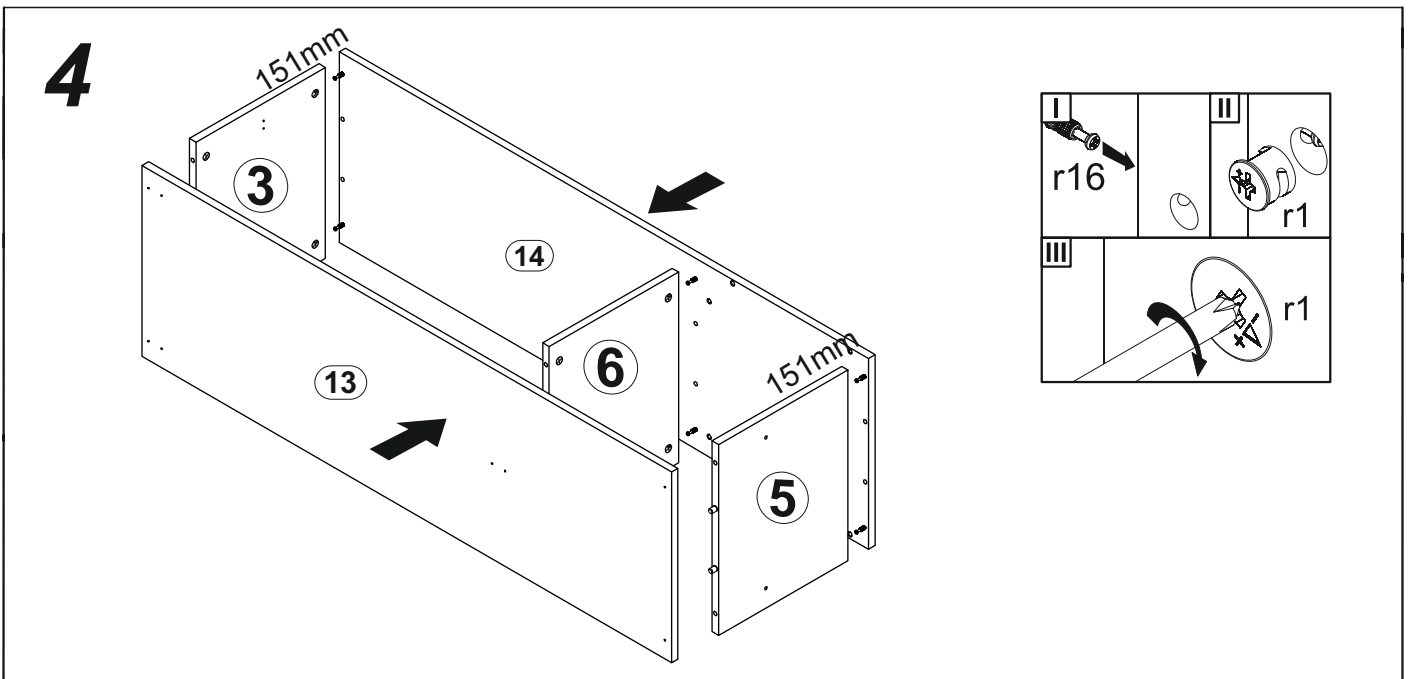
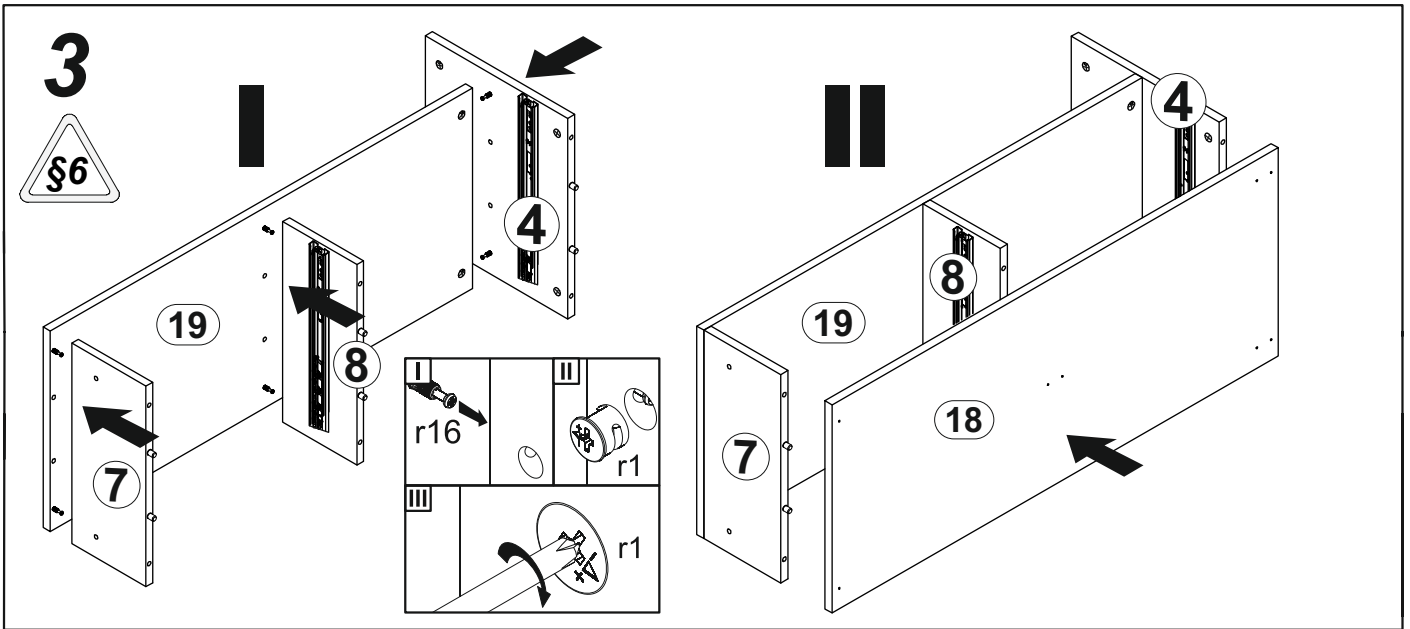
A	B	C		D
1	SW1-001	1296	344	2/3
2	SW1-002	997	200	3/3
3	SW1-101	317	405	1/3
4	SW1-102	333	405	1/3
5	SW1-103	317	405	1/3
6	SW1-104	317	405	1/3
7	SW1-107	173	405	1/3
8	SW1-108	173	405	1/3
9	SW1-501	400	140	1/3
10	SW1-502	400	140	1/3
11	SW1-503	417	140	1/3
12	SW1-903	433	399	2/3
13	SW1-201	1300	405	2/3
14	SW1-202	1300	405	2/3
15	SW1-901	1290	344	2/3
16	SW1-902	1005	360	2/3
17	SW1-203	1400	405	3/3
18	SW1-204	1000	405	3/3
19	SW1-301	983	405	3/3
20	SW1-401	1400	70	3/3
21	SW1-413	373	85	3/3
22	SW1-414	373	85	3/3
23	SW1-415	1335	85	3/3
24	SW1-412	1365	85	3/3
25	SW1-402	389	70	3/3
26	SW1-403	389	70	3/3

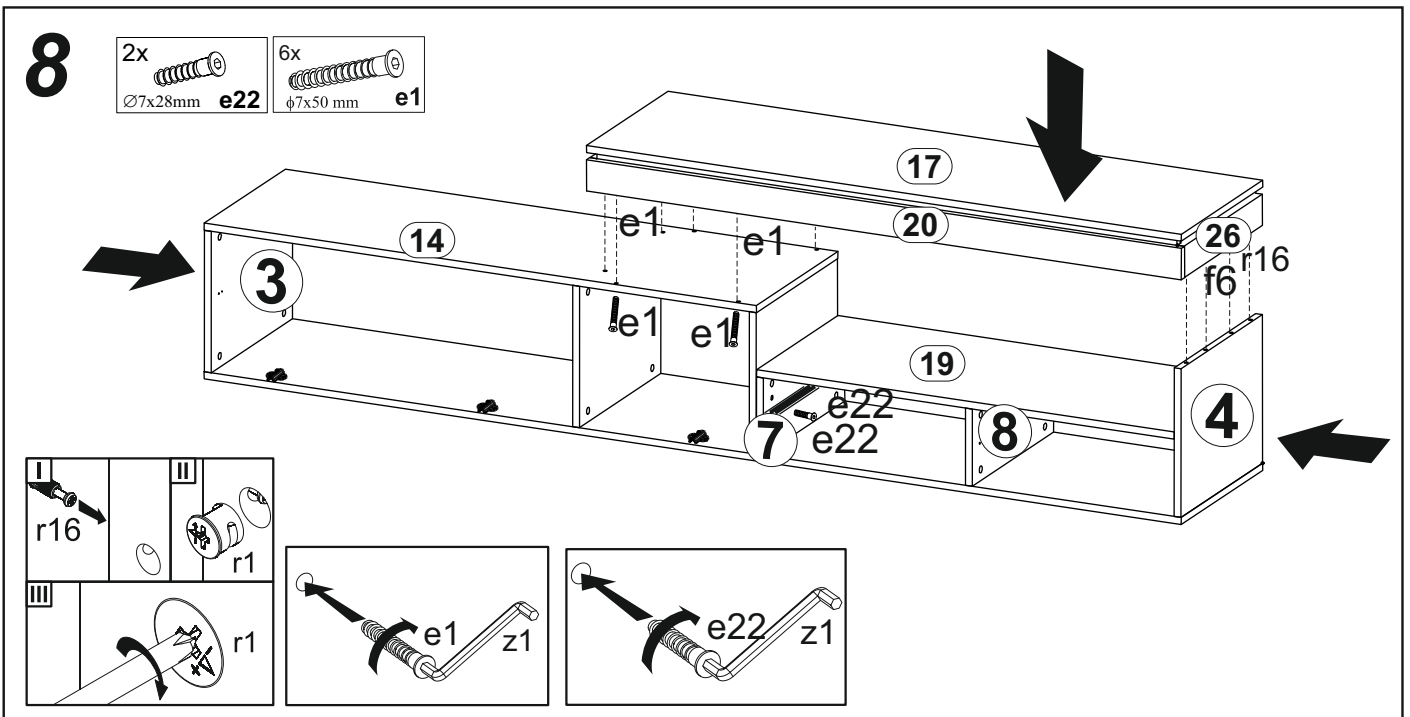
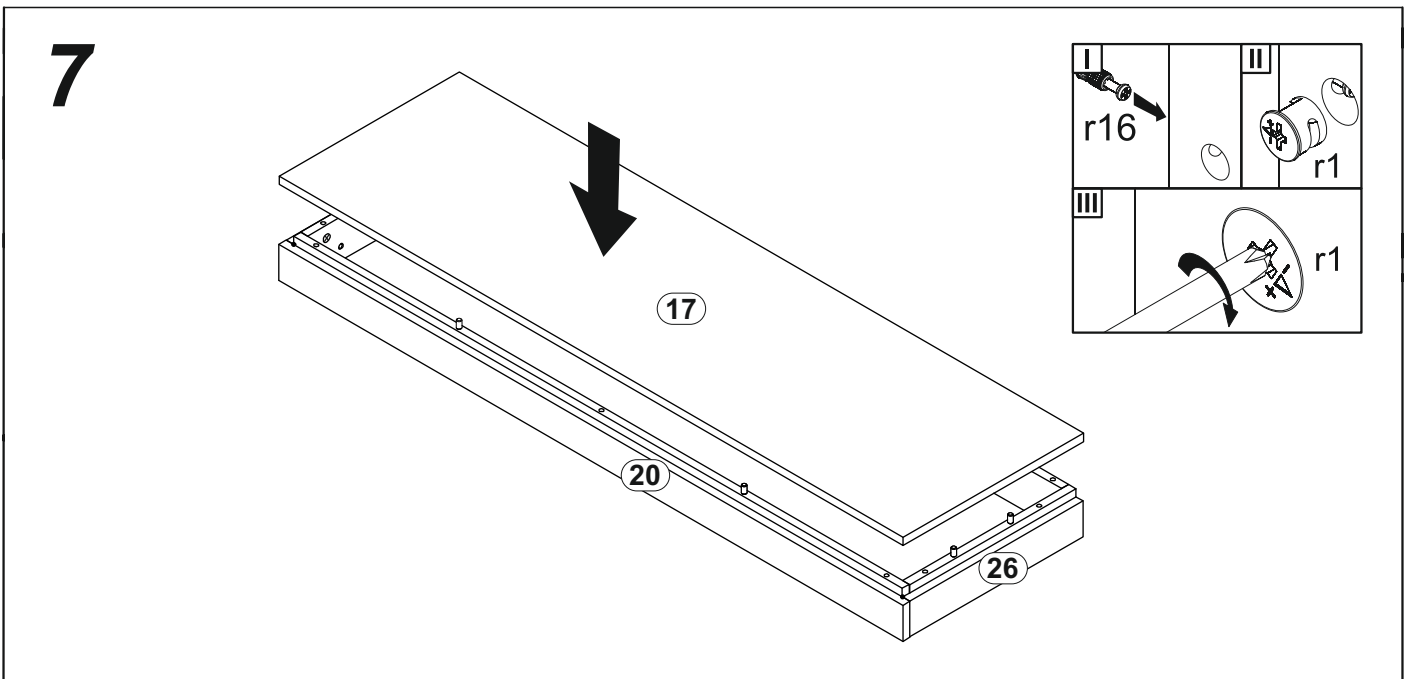
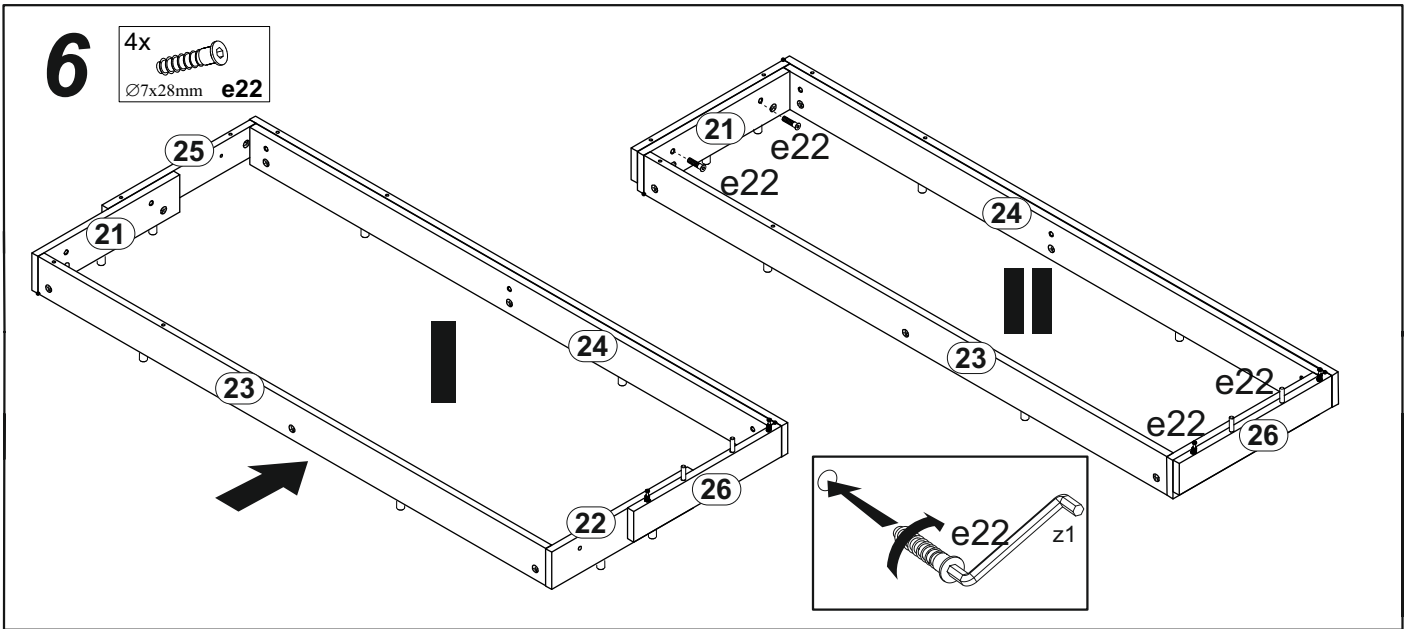


1

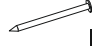

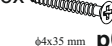

- 3x D5 **b19**
- 22x $\phi 8 \times 30$ mm **f1**
- 2x $\phi 8 \times 50$ mm **f6**
- 12x $\phi 15 \times 12$ mm #16 **r1**
- 5x 20/9 **r16**

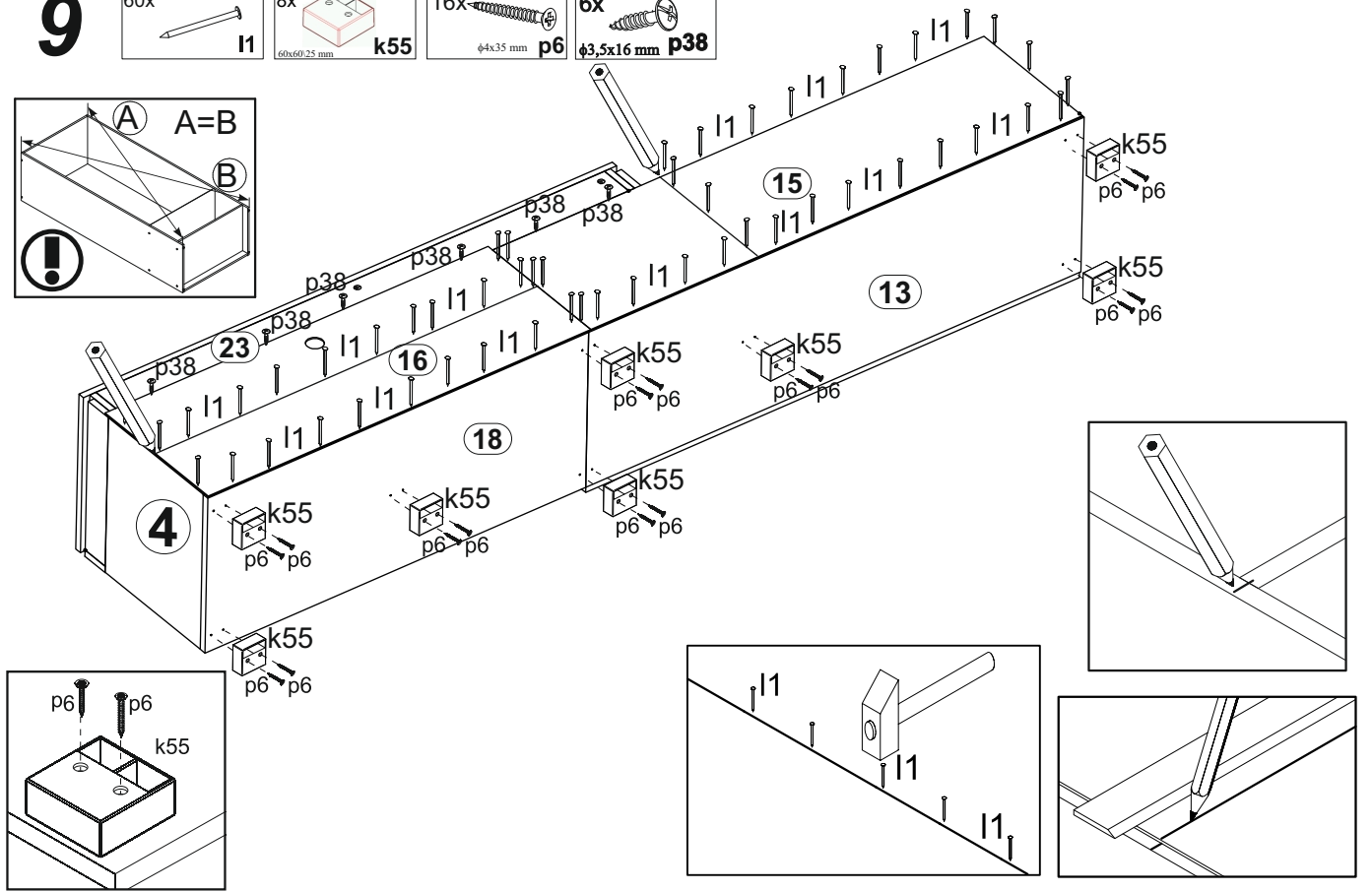
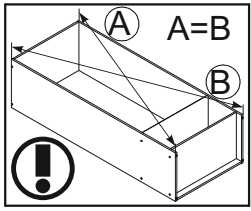





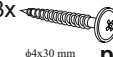








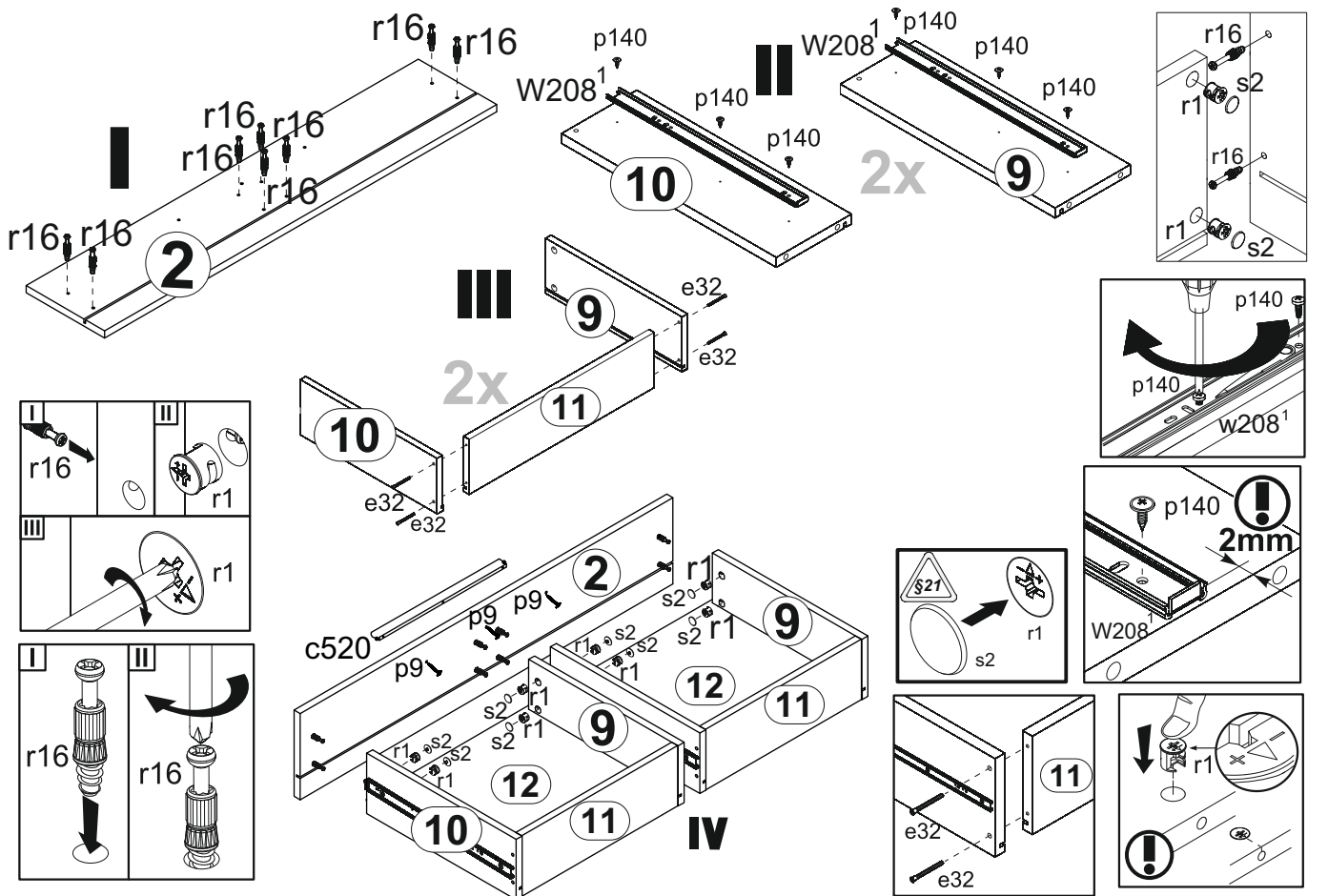
9

- 60x  I1
- 8x  k55
60x60.25 mm
- 16x  p6
φ4x35 mm
- 6x  p38
φ3.5x16 mm

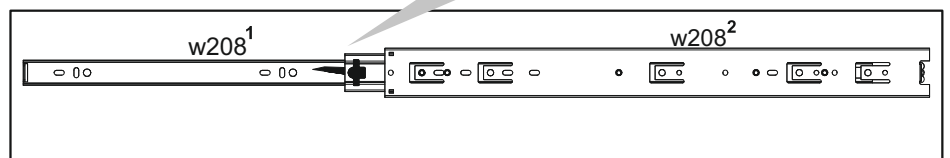
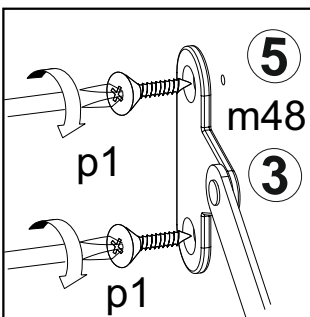
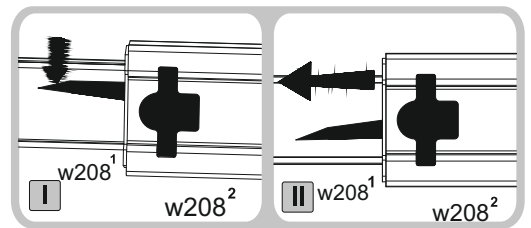
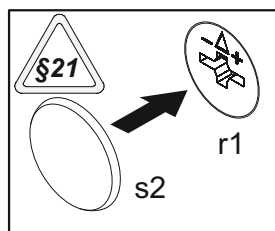
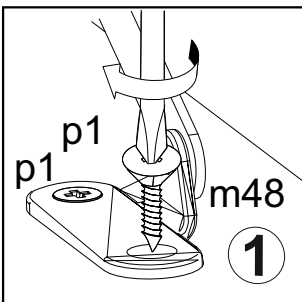
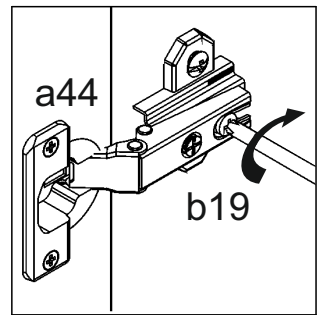
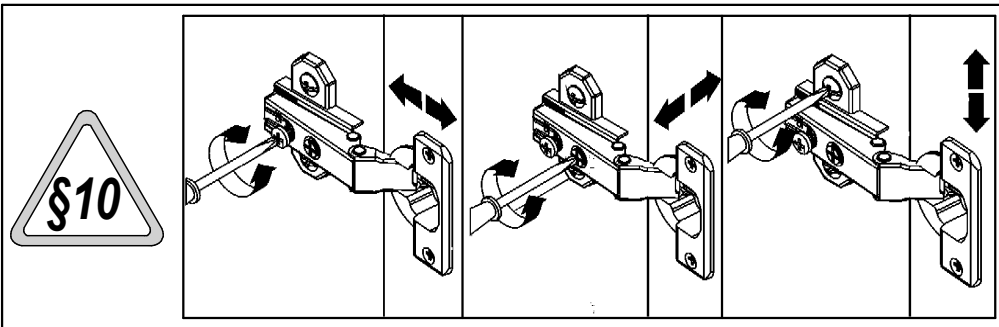
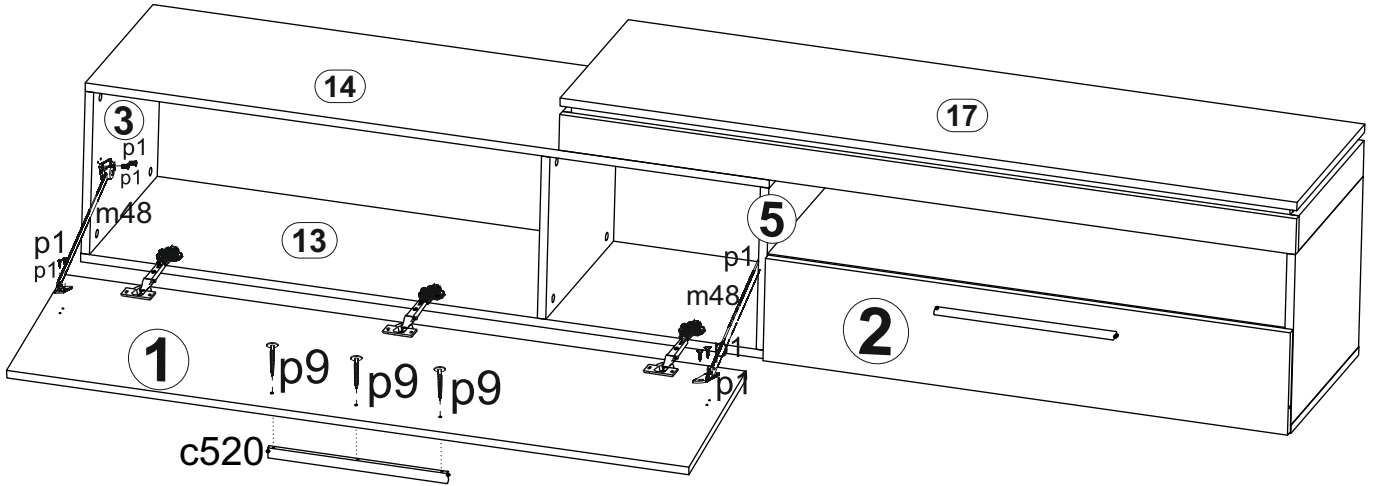
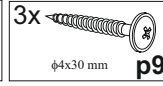
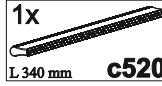
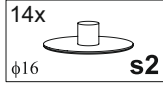
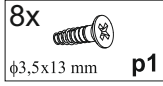
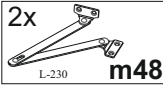


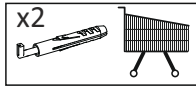
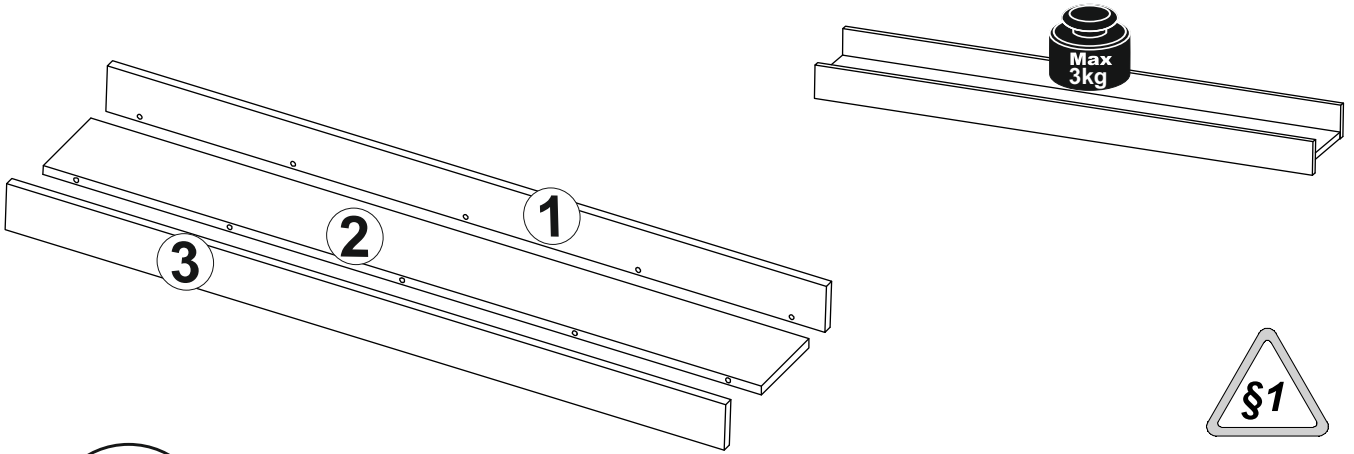
10

- 1x  c520
L 340 mm
- 3x  p9
φ4x30 mm
- 4x  w208/1
400
- 8x  e32
φ5x50 mm
- 12x  p140
φ3.5x12 mm
- 8x  s2
φ16
- 8x  r16
20/9
- 8x  r1
φ15x12mm #16



11





A	B	C	D	
1	SW1-405	1200	80	3/3
2	SW1-303	1199	150	3/3
3	SW1-406	1200	80	3/3

1

