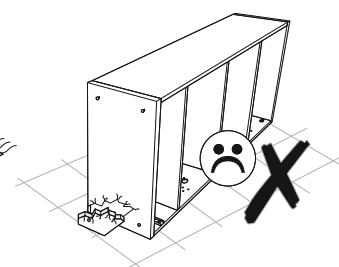
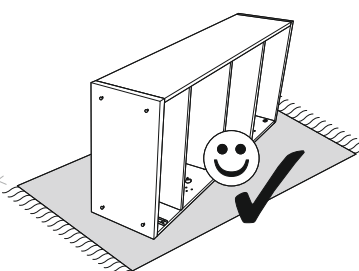
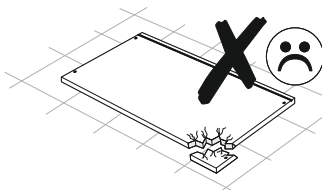
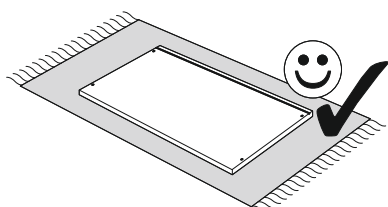
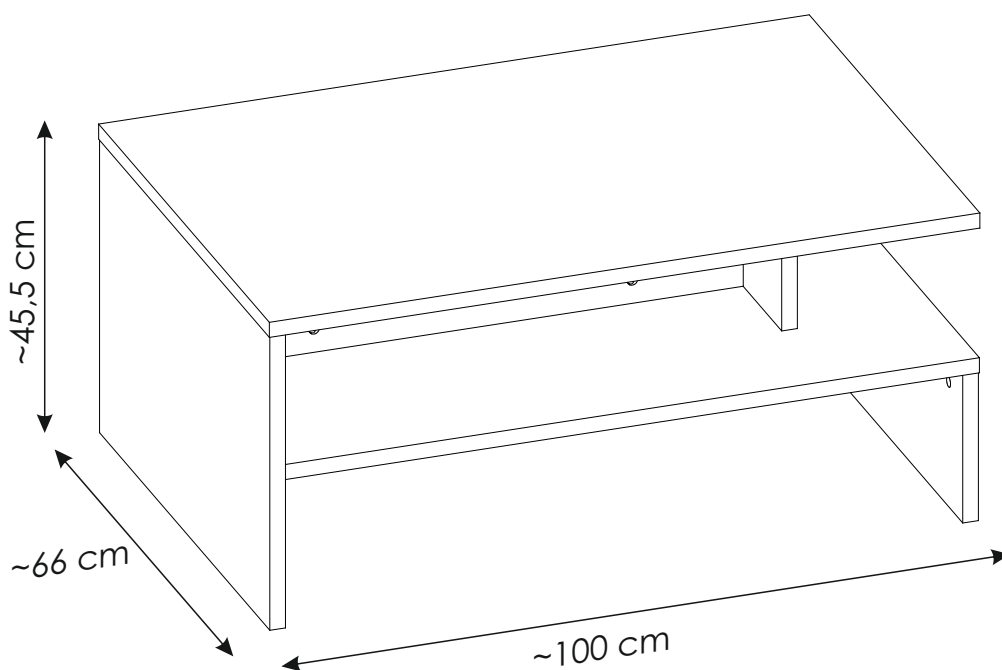
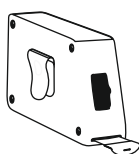
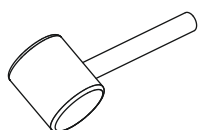
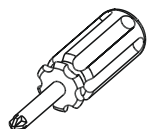
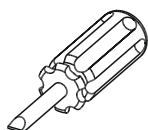
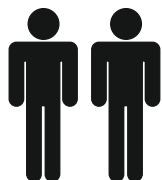
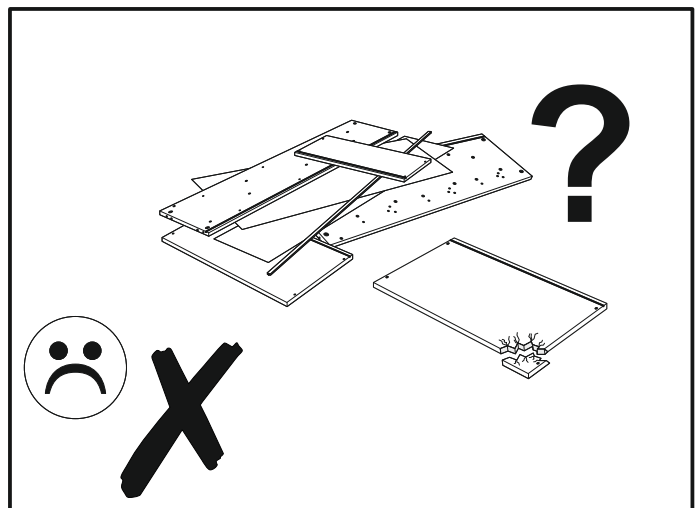
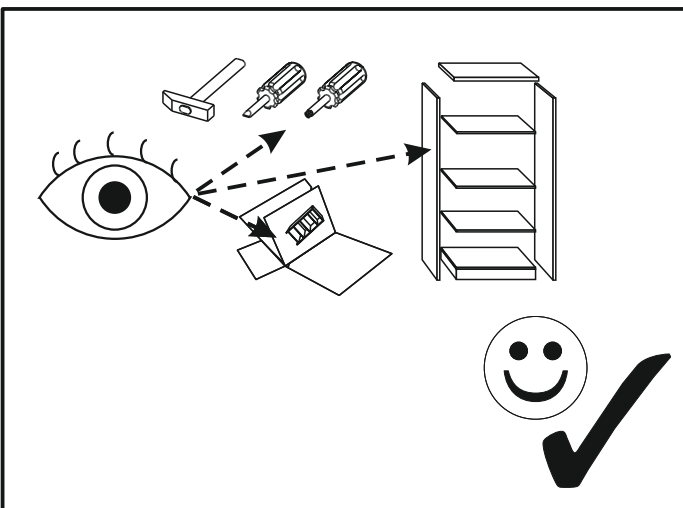
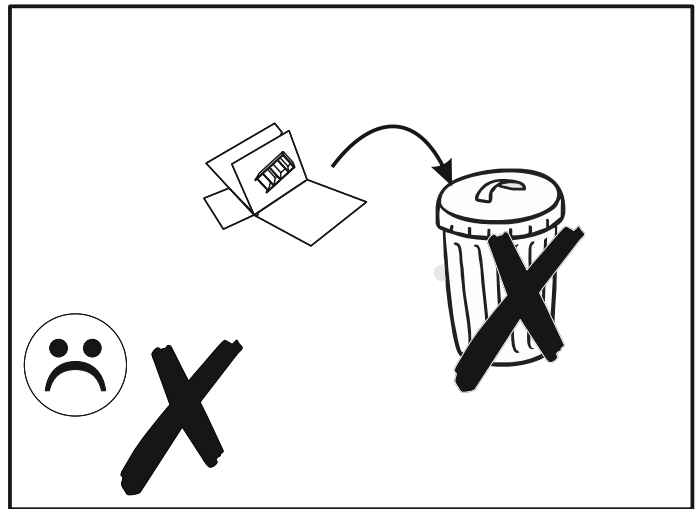
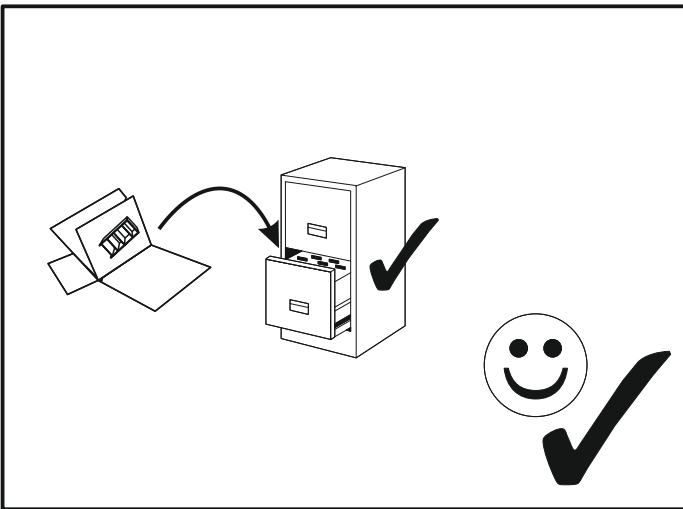
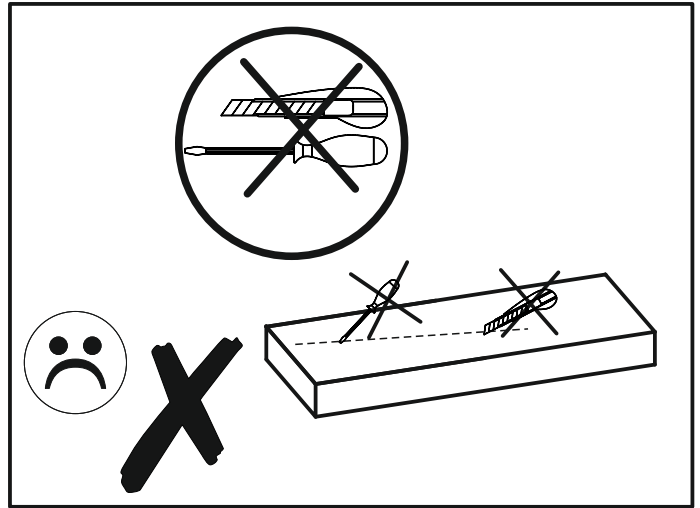
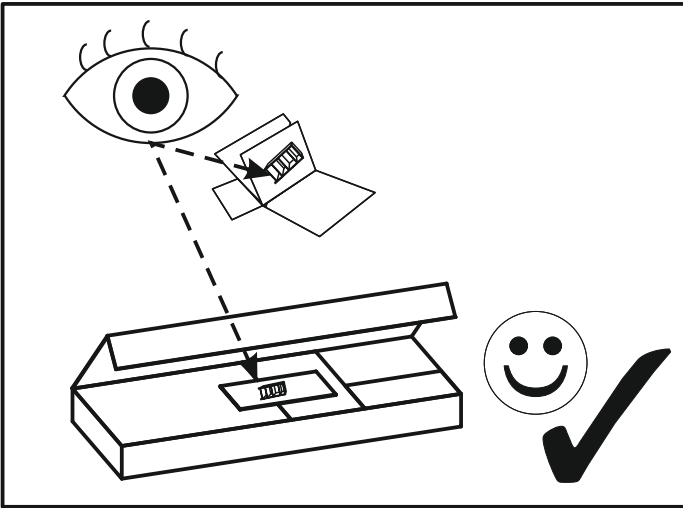


# MONTÁŽNÍ/MONTÁŽNY NÁVOD SAMM

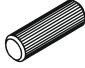


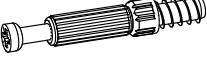

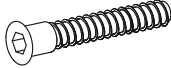
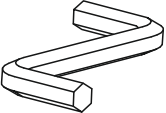
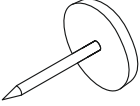


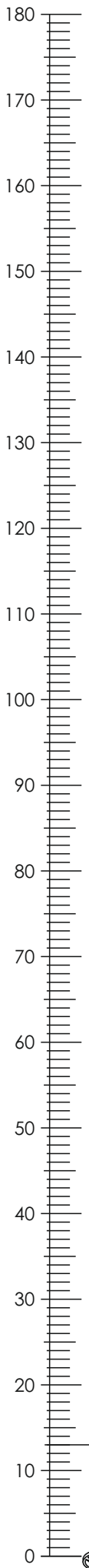
50 min



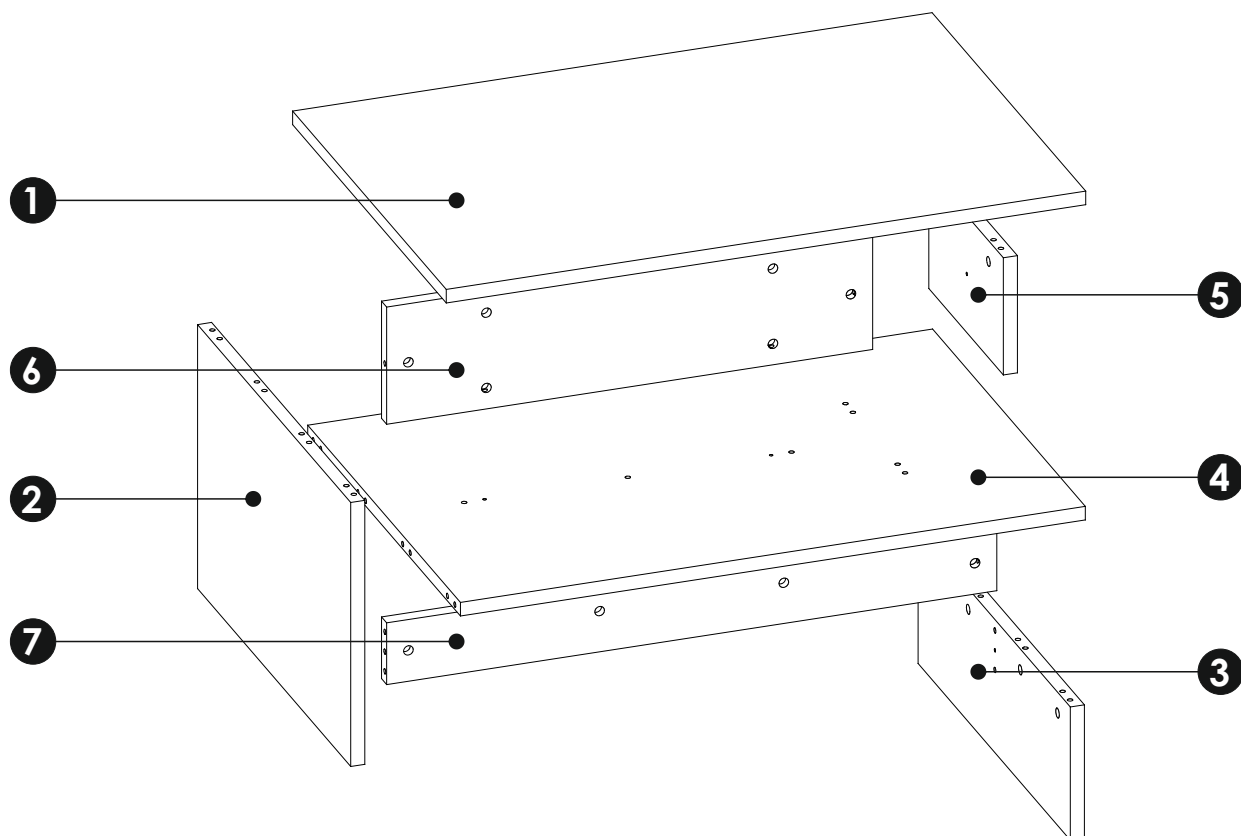
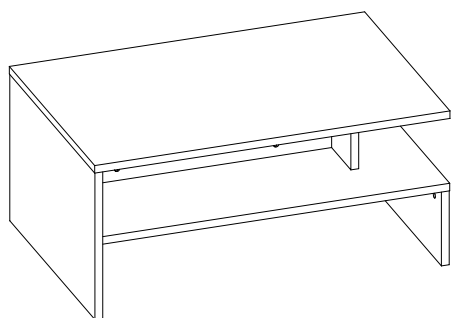


# MONTÁŽNÍ/MONTÁŽNY NÁVOD SAMM

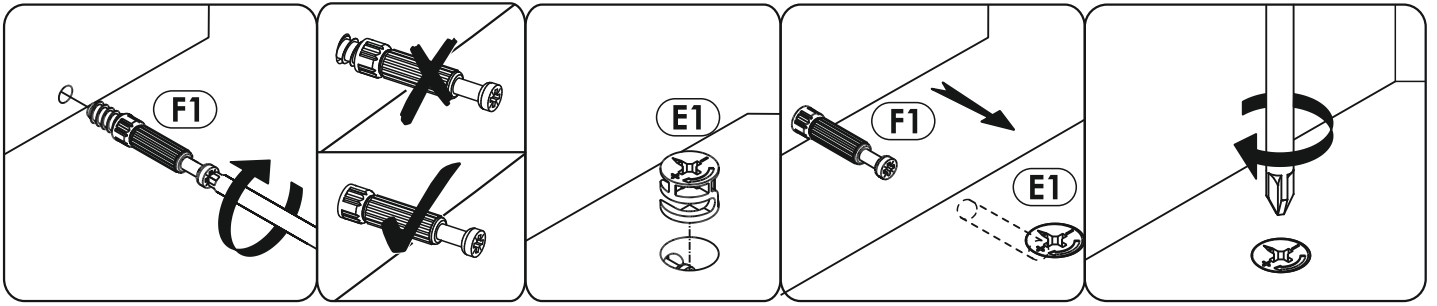
<b>A1</b> 8 x 35 mm x28 	<b>E0</b> Ø16 x24 	<b>E1</b> 15 x 12 mm x24 
<b>F1</b> 6 x 34 mm x24 	<b>G0</b> x2 	<b>G1</b> 7 x 50 mm x2 
<b>M</b> x1 	<b>O2</b> x6 	



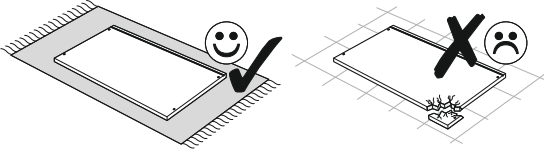
# MONTÁŽNÍ/MONTÁŽNY NÁVOD SAMM



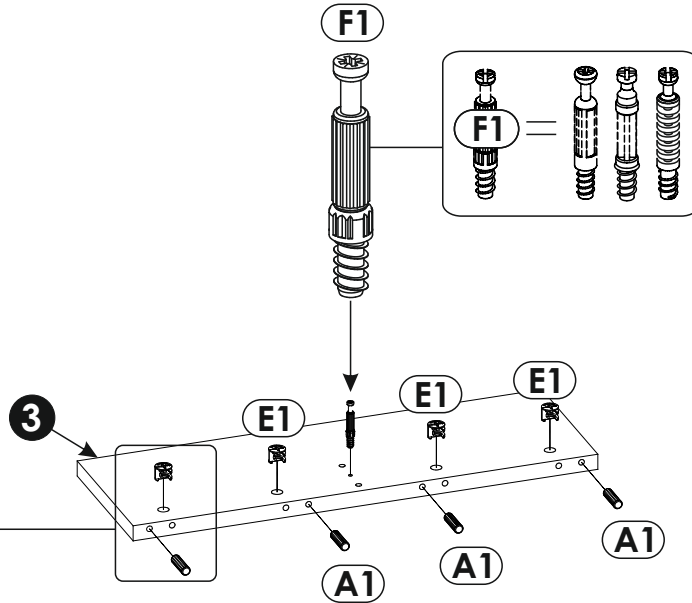
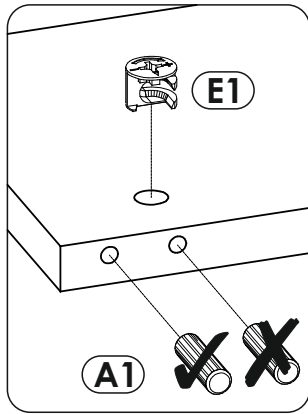
<b>1</b>	660	1000	22	x1	1/1
<b>2</b>	658	428	22	x1	1/1
<b>3</b>	654	216	22	x1	1/1
<b>4</b>	977	656	22	x1	1/1
<b>5</b>	320	190	22	x1	1/1
<b>6</b>	760	190	22	x1	1/1
<b>7</b>	954	100	22	x1	1/1



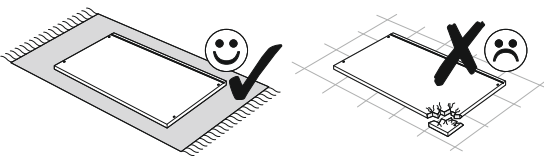
1 ▶



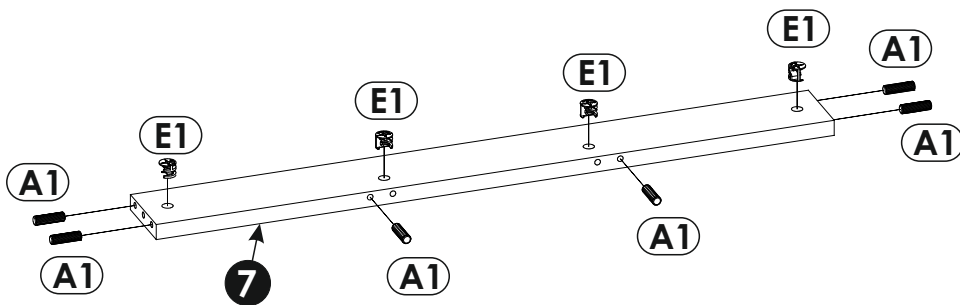
<b>A1</b>	x4	<b>E1</b>	x4	<b>F1</b>	x1
8 x 35 mm		15 x 12 mm		6 x 34 mm	

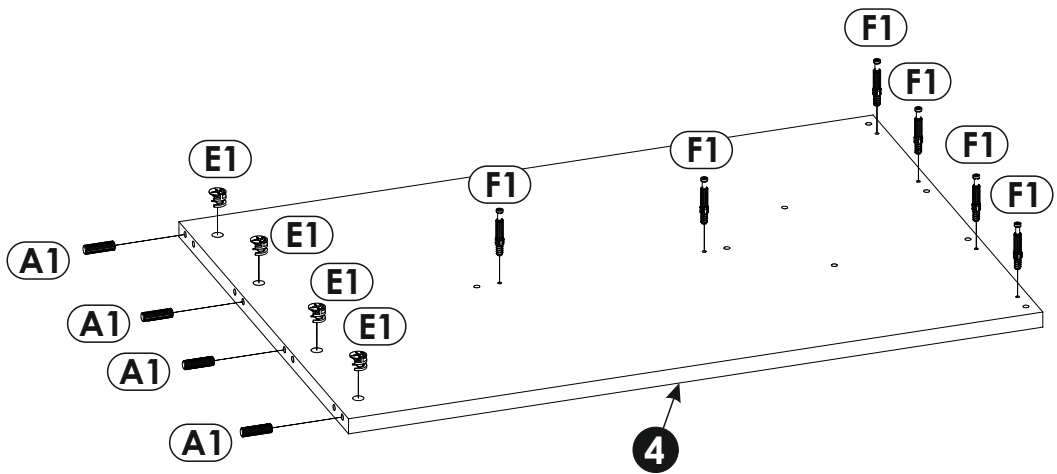
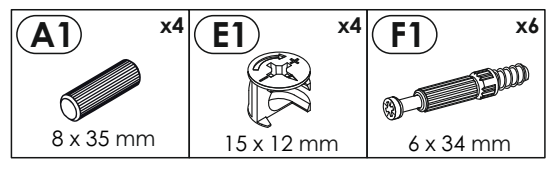
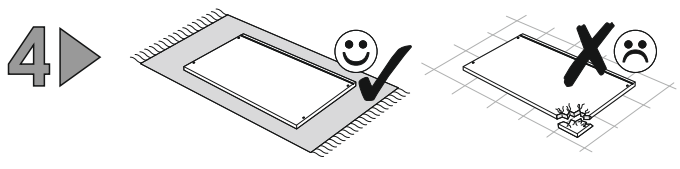
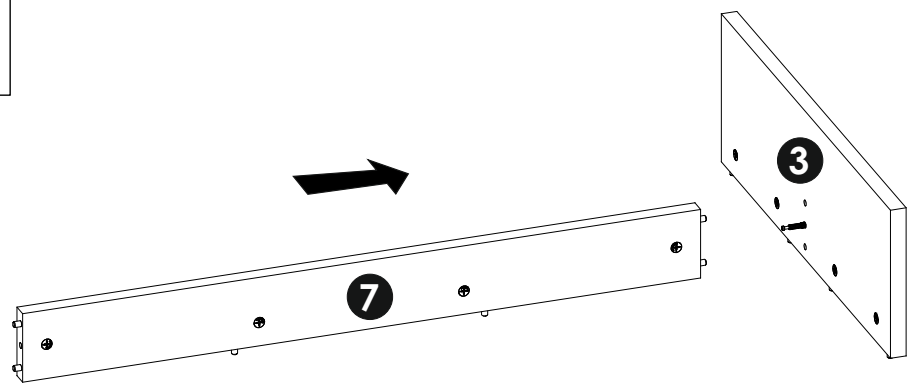
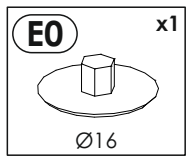
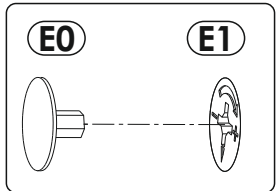
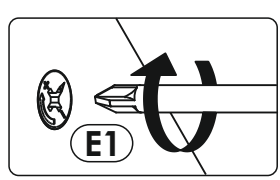
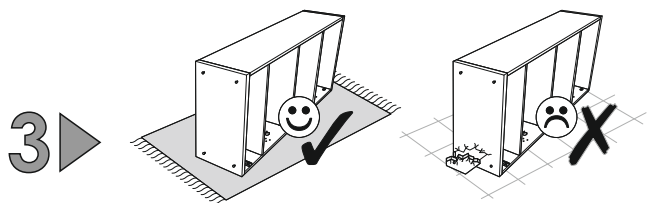


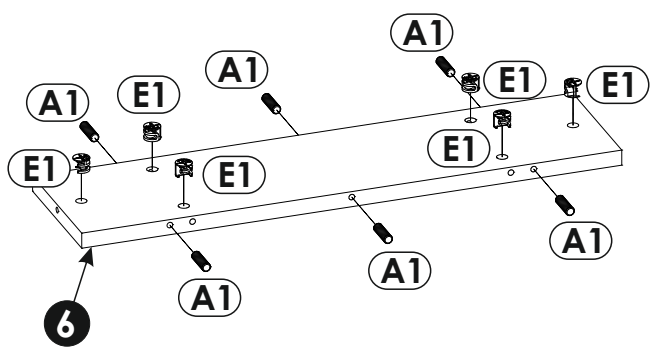
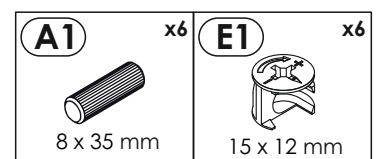
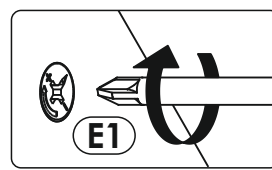
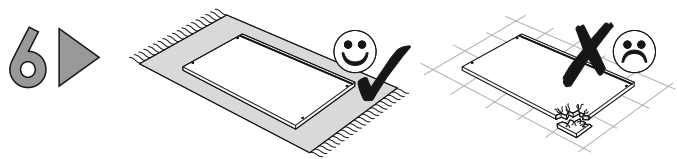
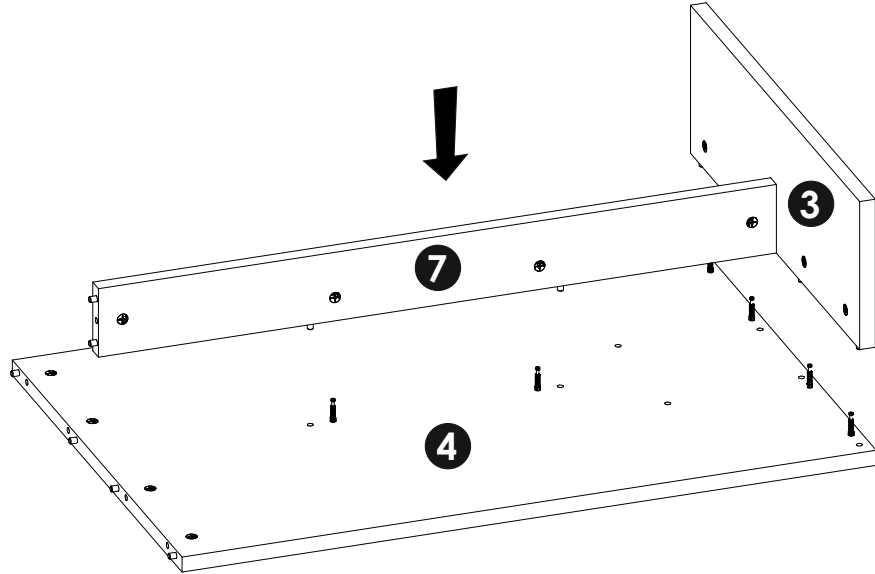
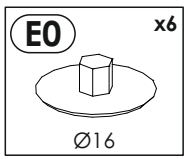
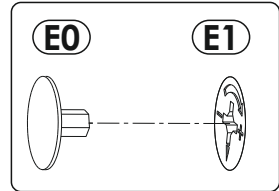
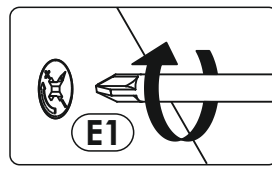
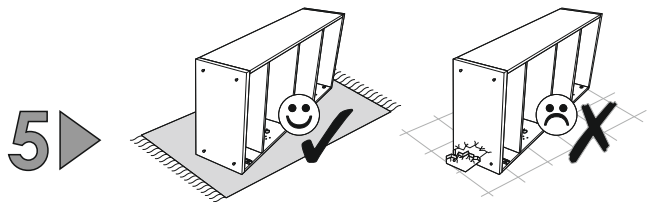
2 ▶

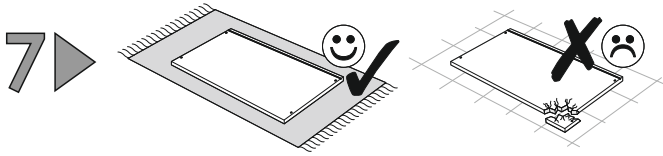


<b>A1</b>	x6	<b>E1</b>	x4
8 x 35 mm		15 x 12 mm	

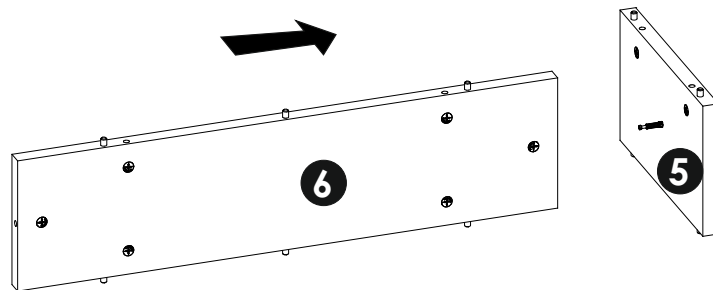
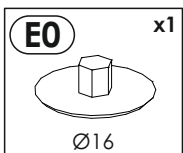
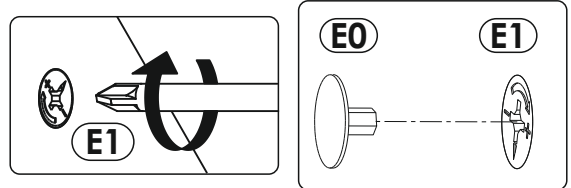
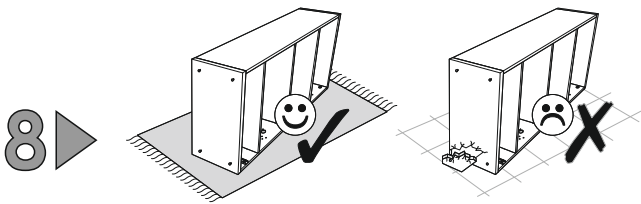
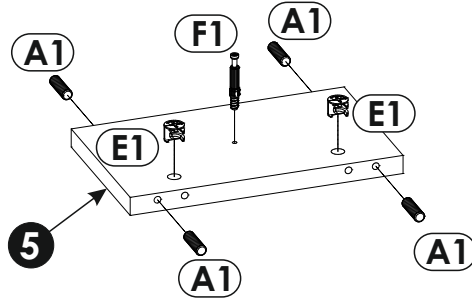


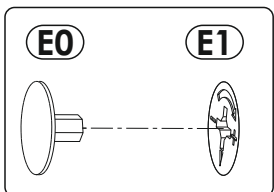
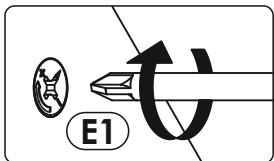
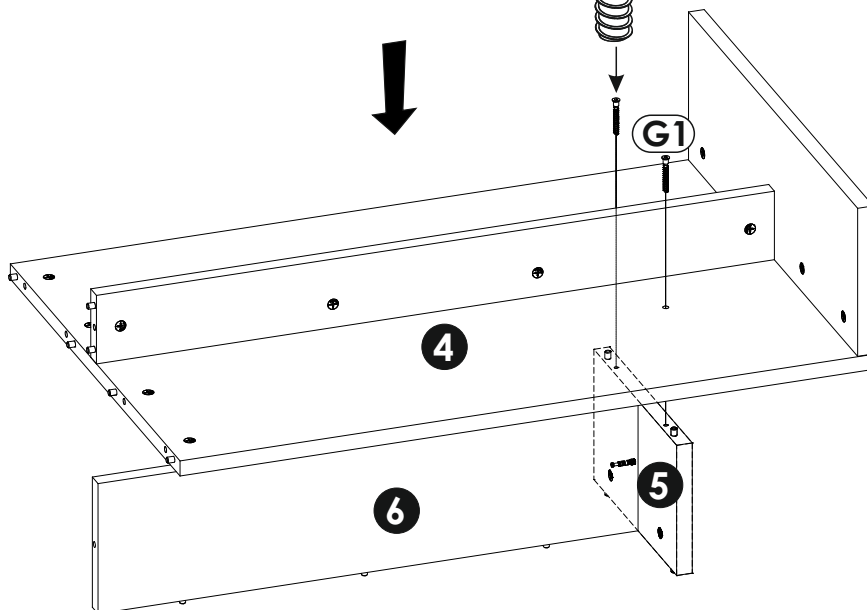
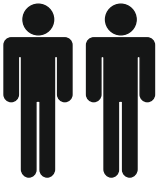
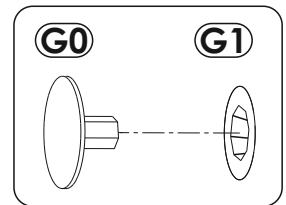
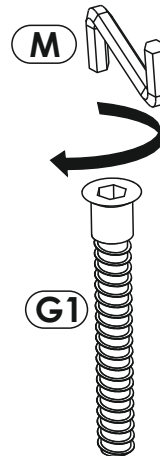
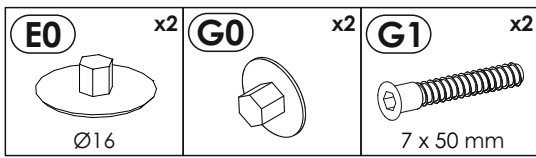
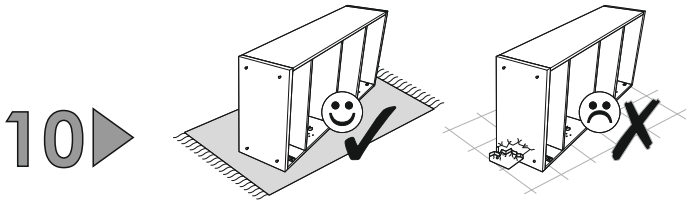
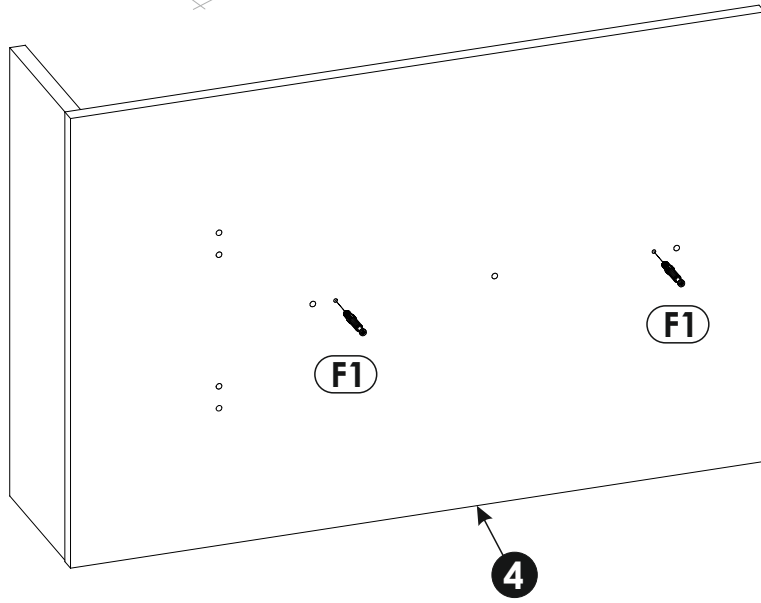
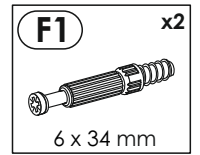
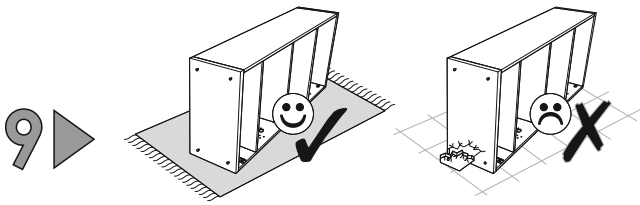




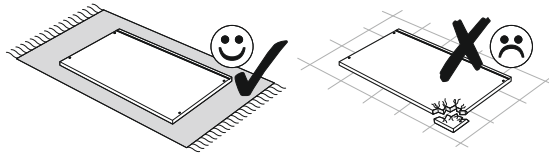


<b>A1</b>	x4	<b>E1</b>	x2	<b>F1</b>	x1
8 x 35 mm		15 x 12 mm		6 x 34 mm	

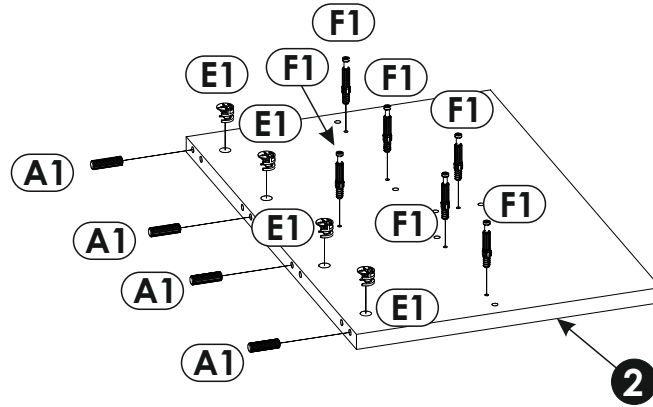




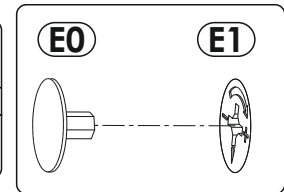
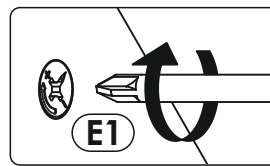
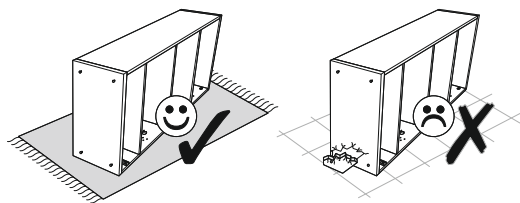
11 ▶



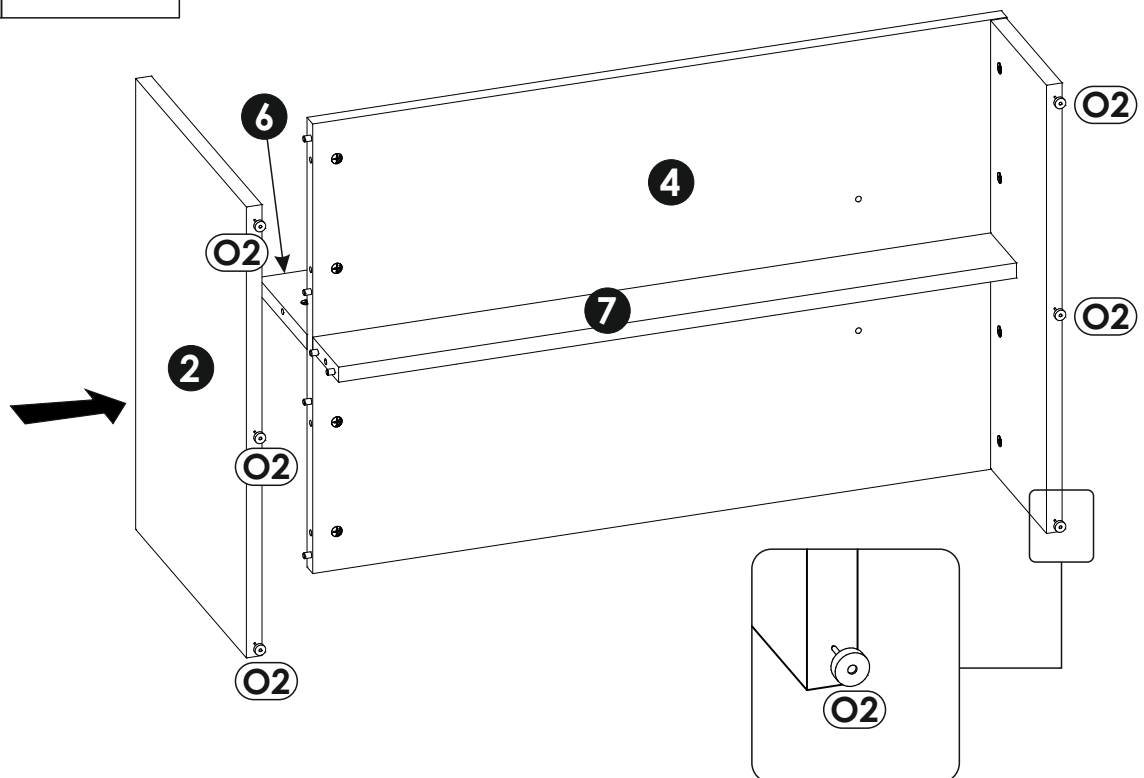
<b>A1</b>	x4	<b>E1</b>	x4	<b>F1</b>	x6
8 x 35 mm		15 x 12 mm		6 x 34 mm	



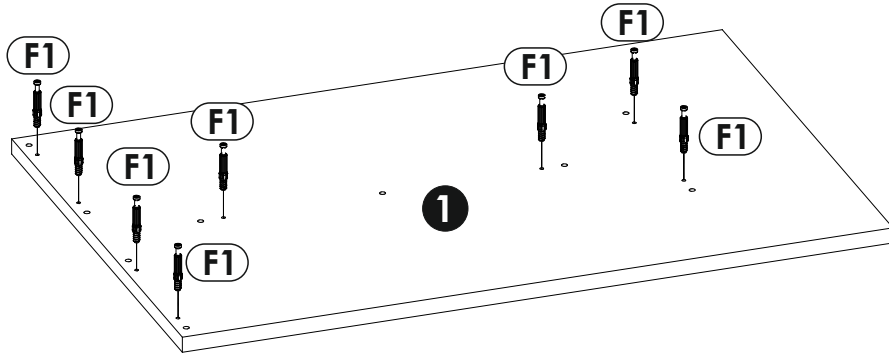
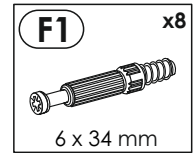
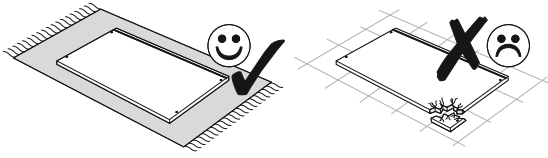
12 ▶



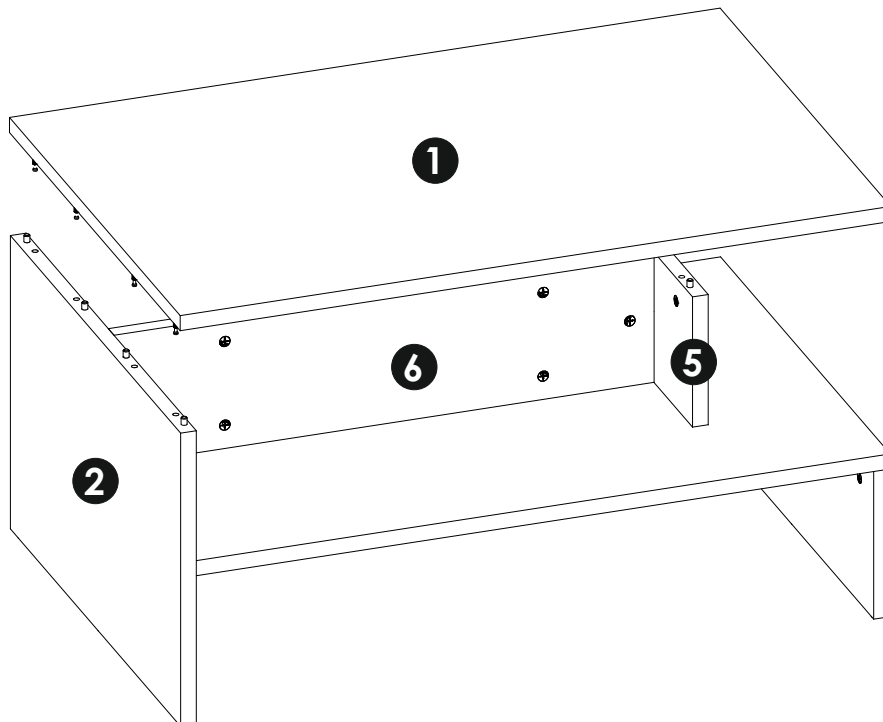
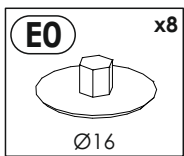
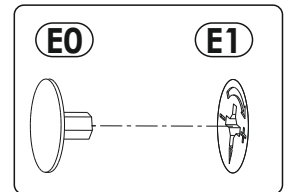
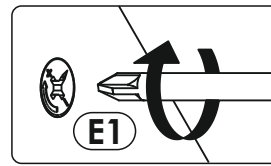
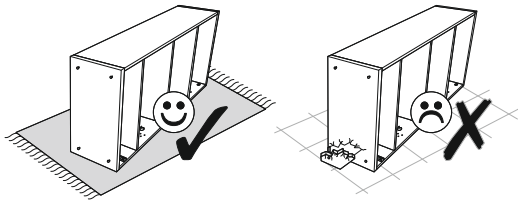
<b>E0</b>	x6	<b>O2</b>	x6
Ø16			



13▶



14▶



15▶

