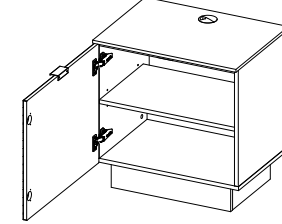
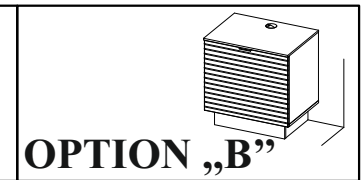
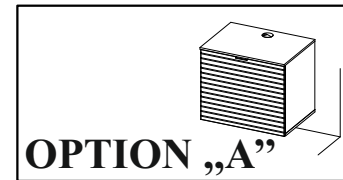
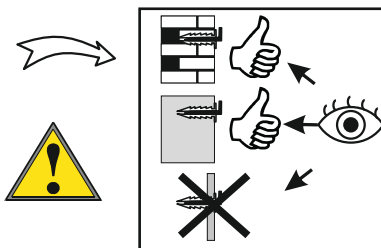
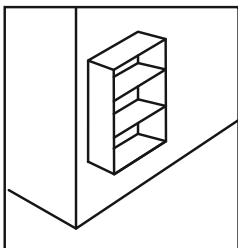
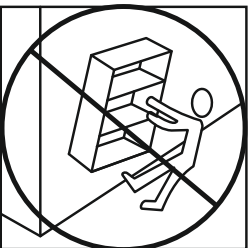
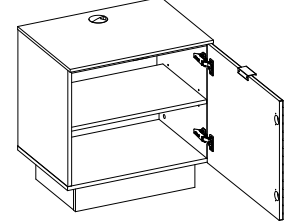
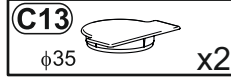
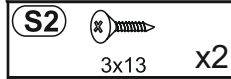
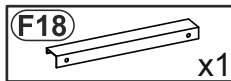
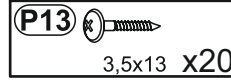
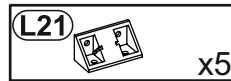
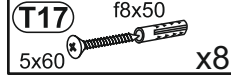
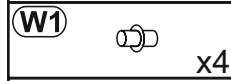
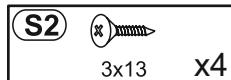
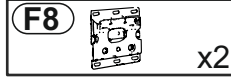
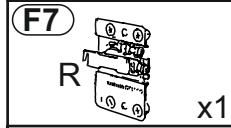
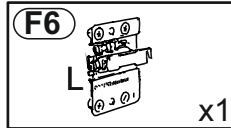
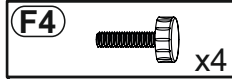
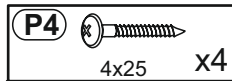
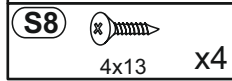
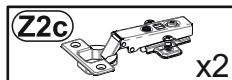
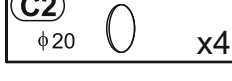
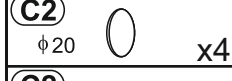
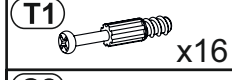
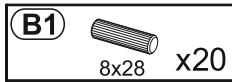


L

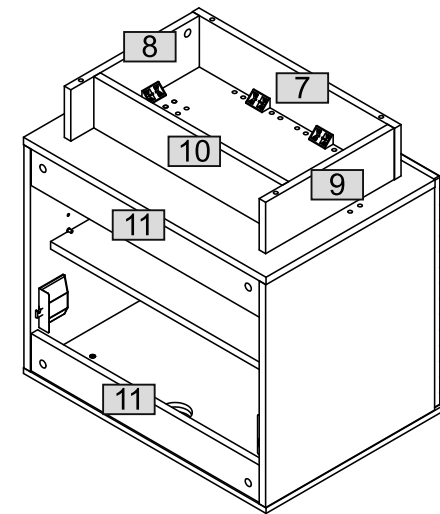
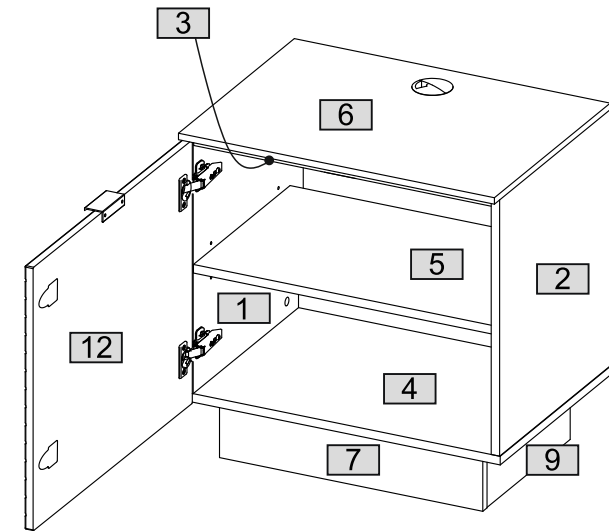


R





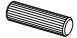

Nr	↙ ↘	↖ ↗	↗ ↘	pcs	
1	477	418	16	1	1
2	477	418	16	1	1
3	566	399	16	1	1
4	600	418	16	1	1
5	566	367	16	1	1
6	600	440	12	1	1
7	500	110	16	1	1
8	326	110	16	1	1
9	326	110	16	1	1
10	466	110	16	1	1
11	566	80	16	2	1
12	596	488	16	1	1

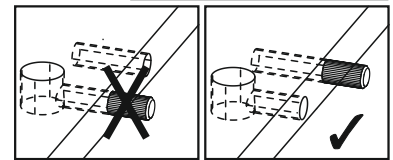
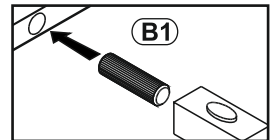
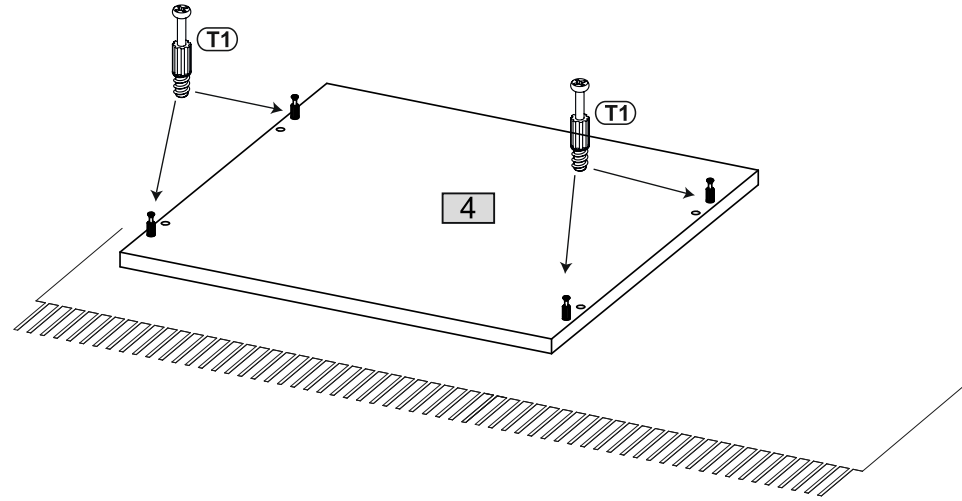
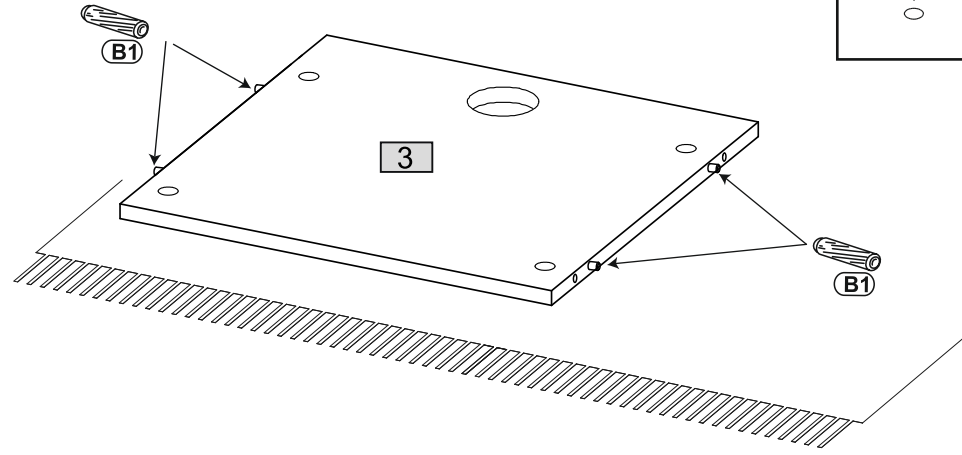
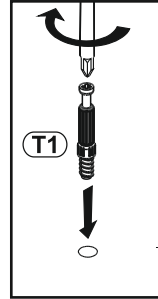
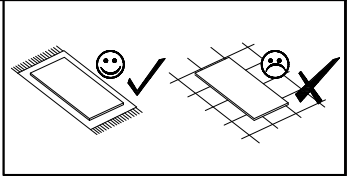


0 10 20 30 40 50 60 70 80 90 100 110 120 130 140 150 160 170 180 190 200

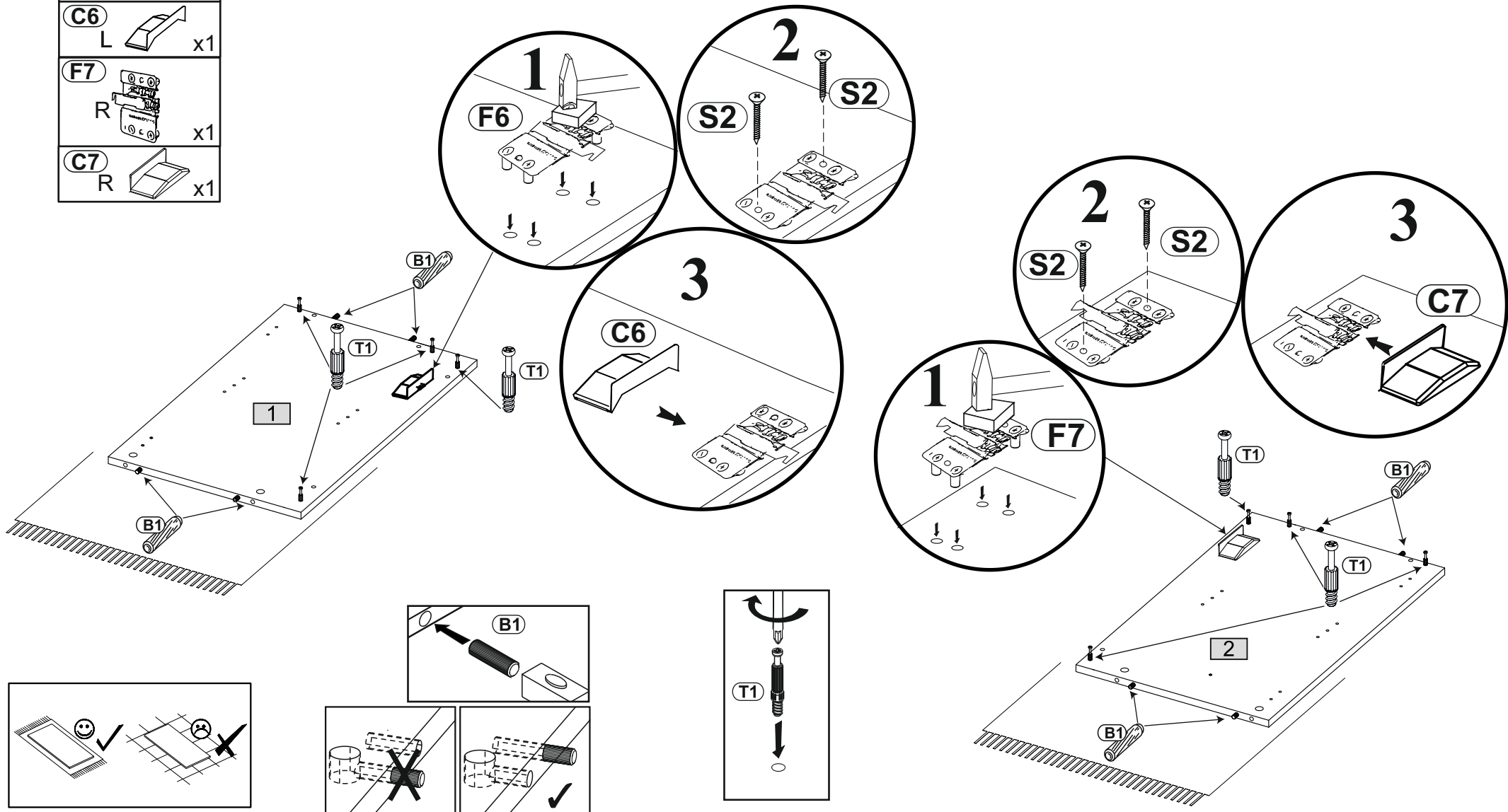
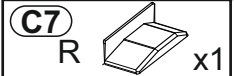
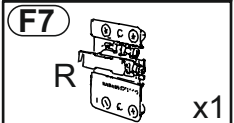
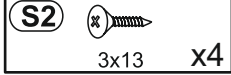
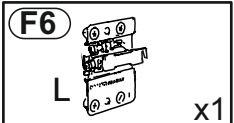
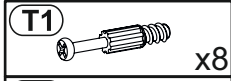
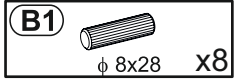


1




B1		T1	
	8x28		x4
	x4		x4

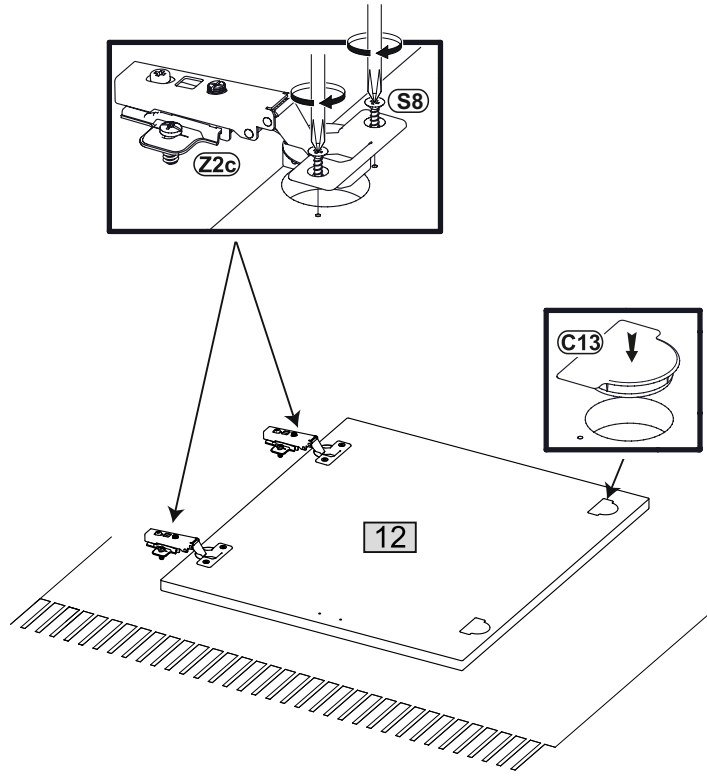


2

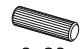


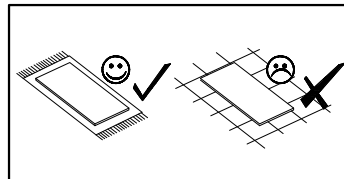
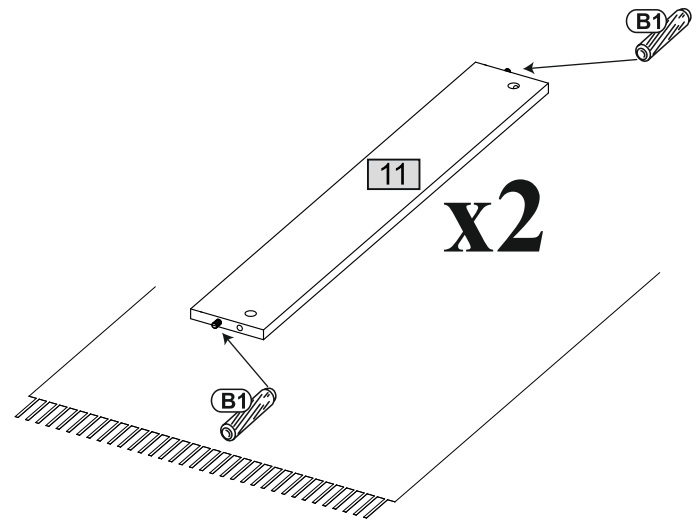
3

- Z2c**  x2
- S8**  4x13 x4
- C13**  φ35 x2



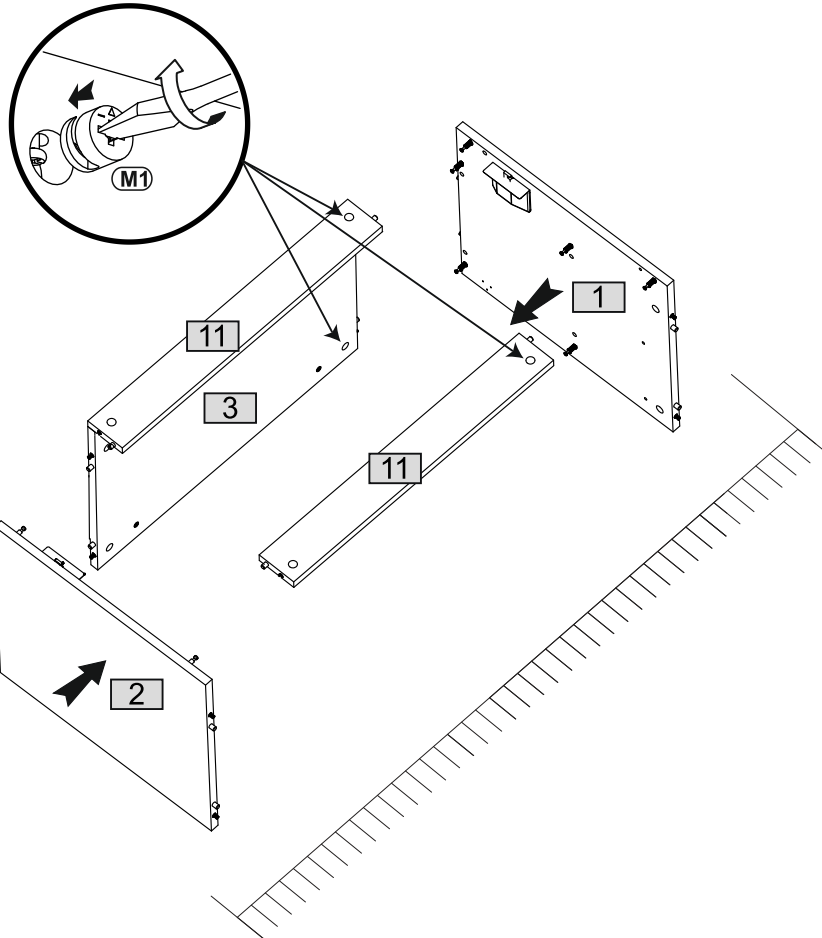
4

- B1**  8x28 x4



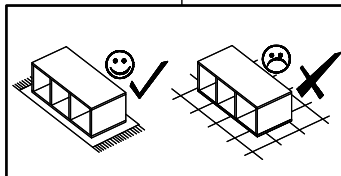
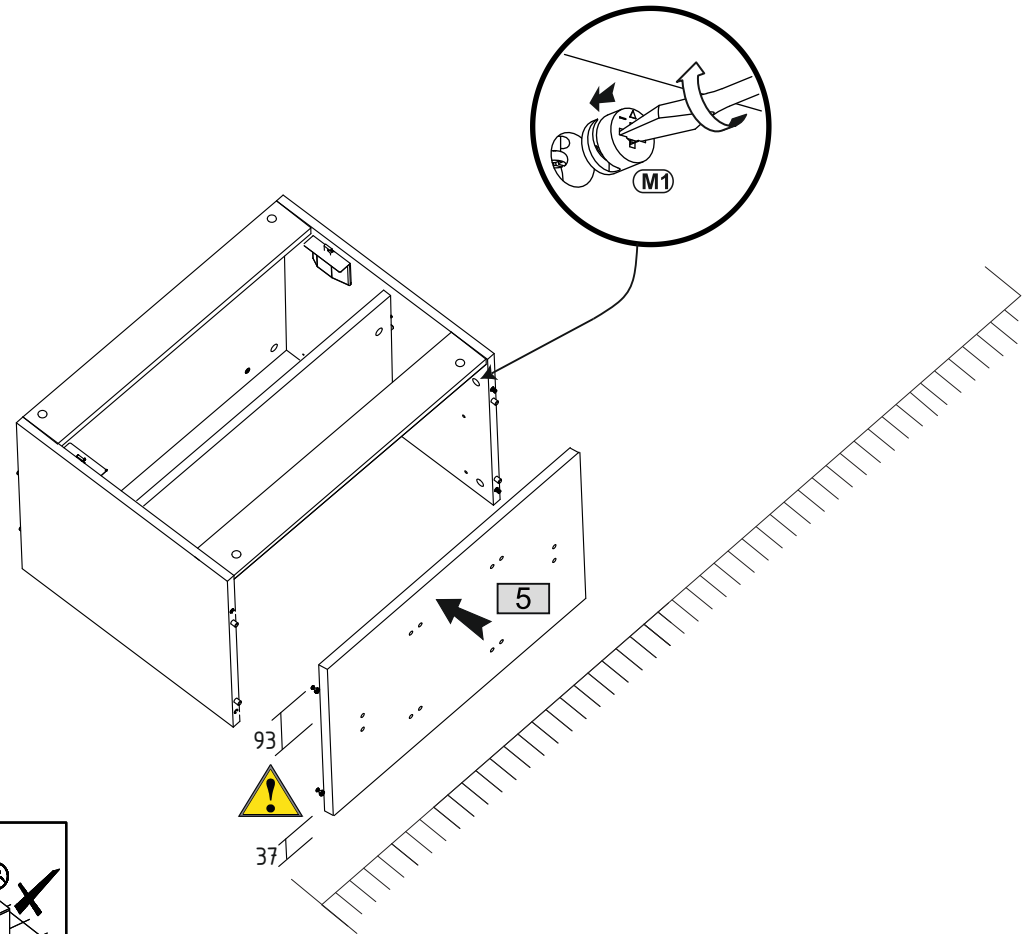
5

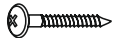
(M1)
φ15x12 x8

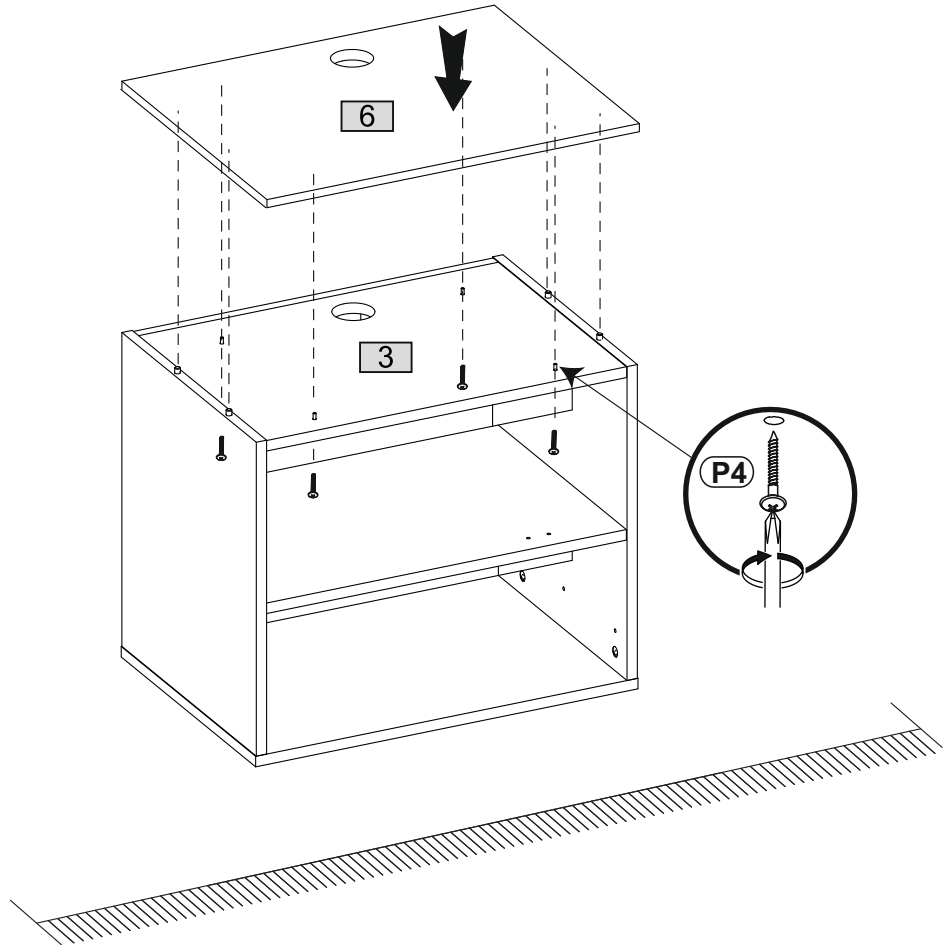


6

(M1)
φ15x12 x4

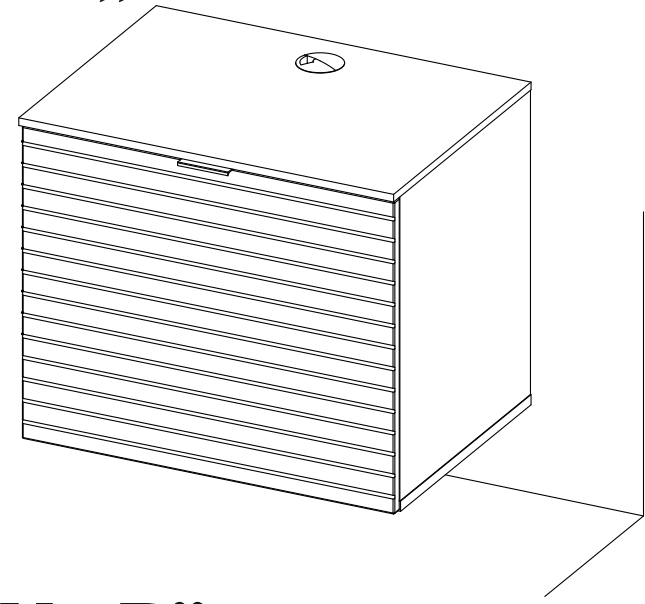


7 **P4**  4x25 x4



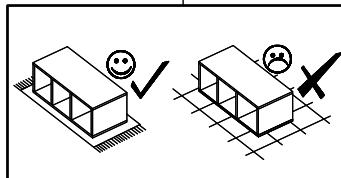
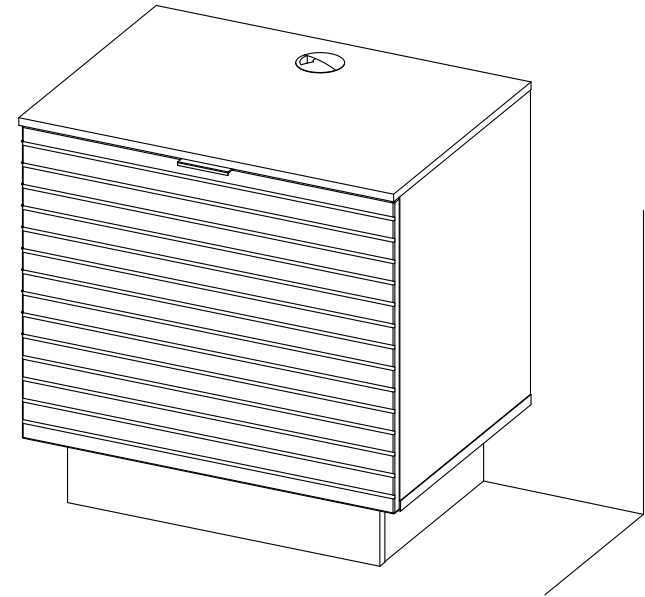
OPTION „A”

1-9



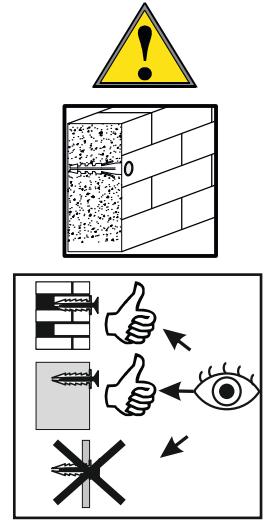
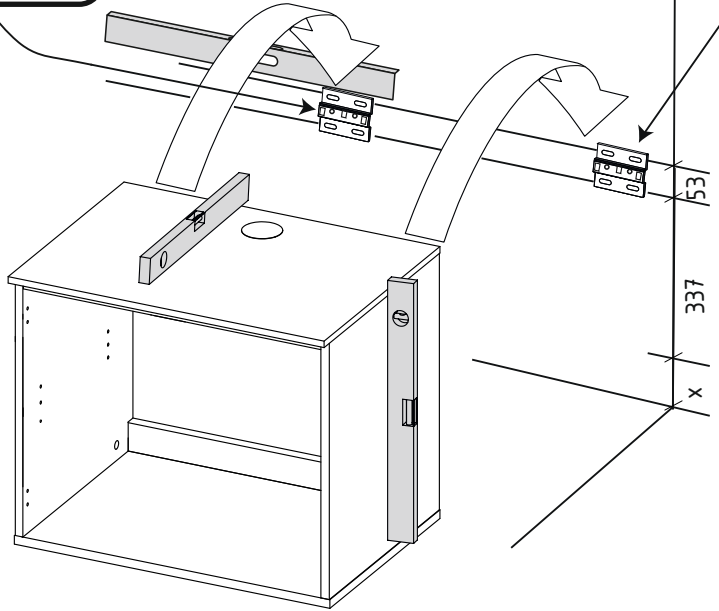
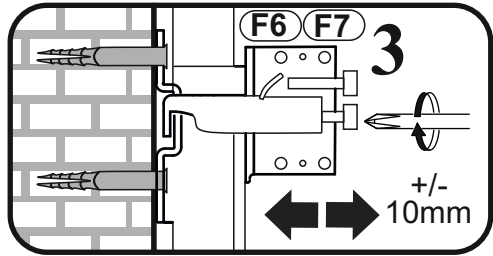
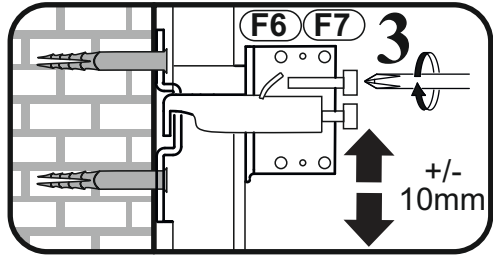
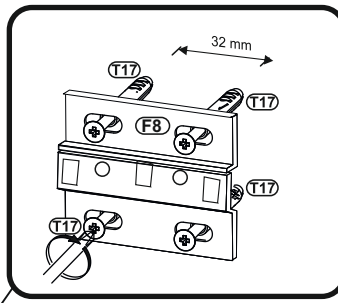
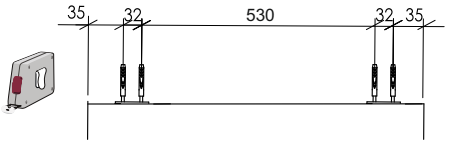
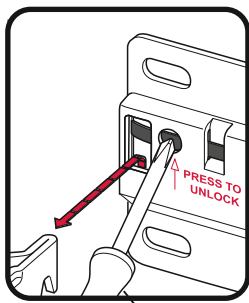
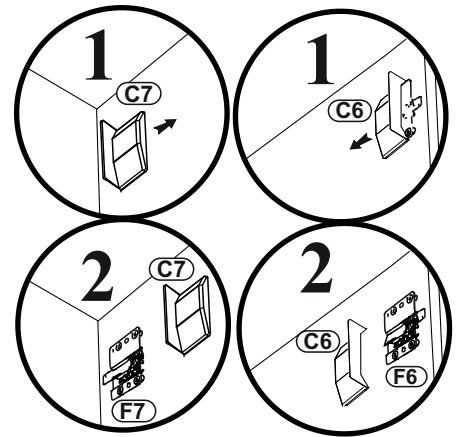
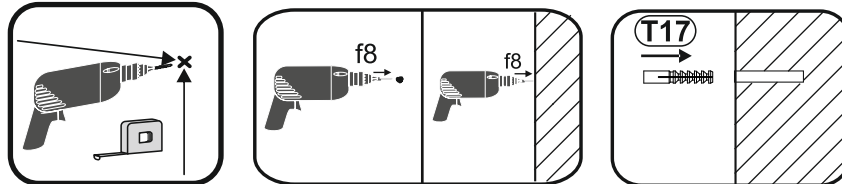
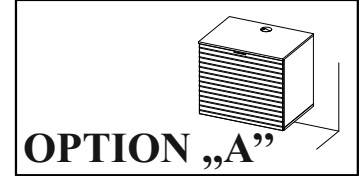
OPTION „B”

10-15

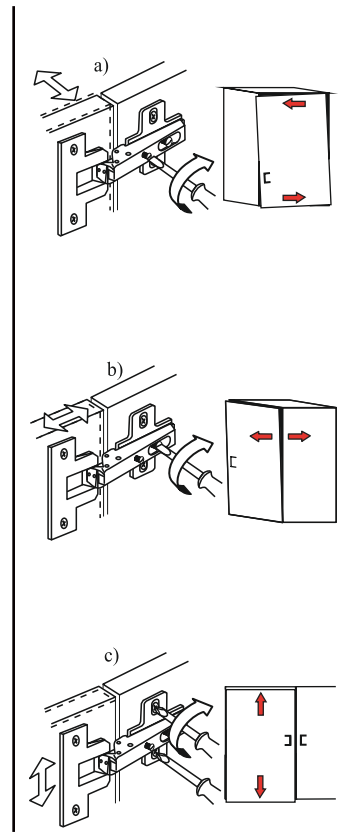
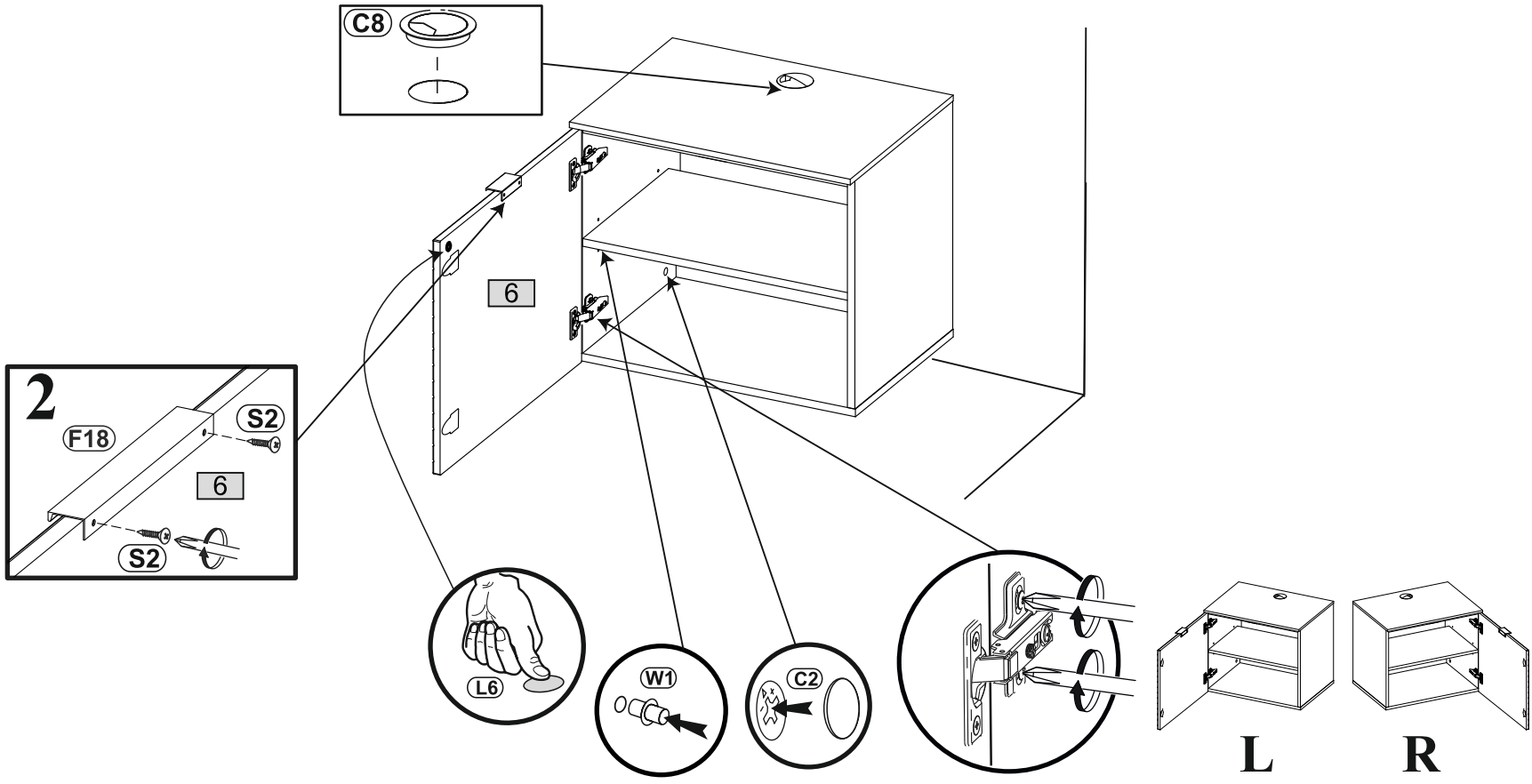
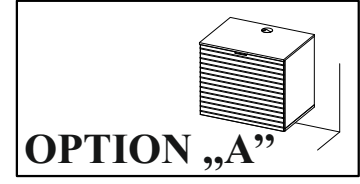
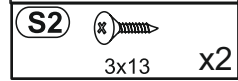
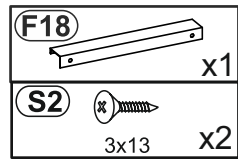
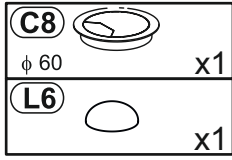
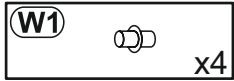
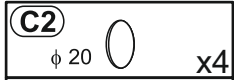


8

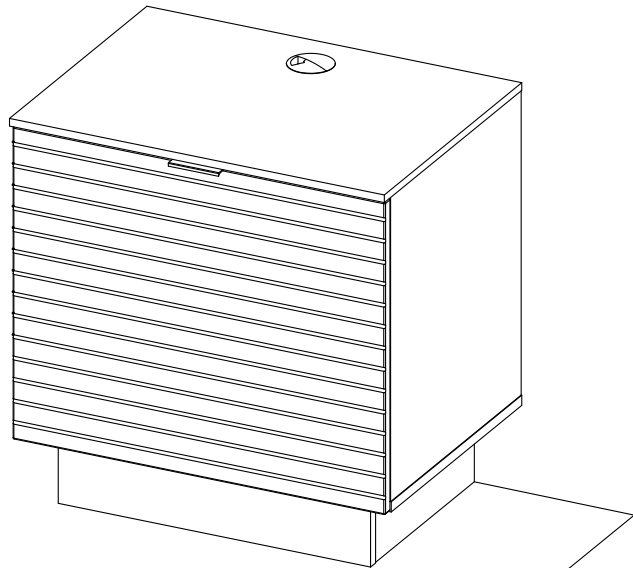
T17	φ8x50	
5x60		x8
F8		x2



9



OPTION „B”



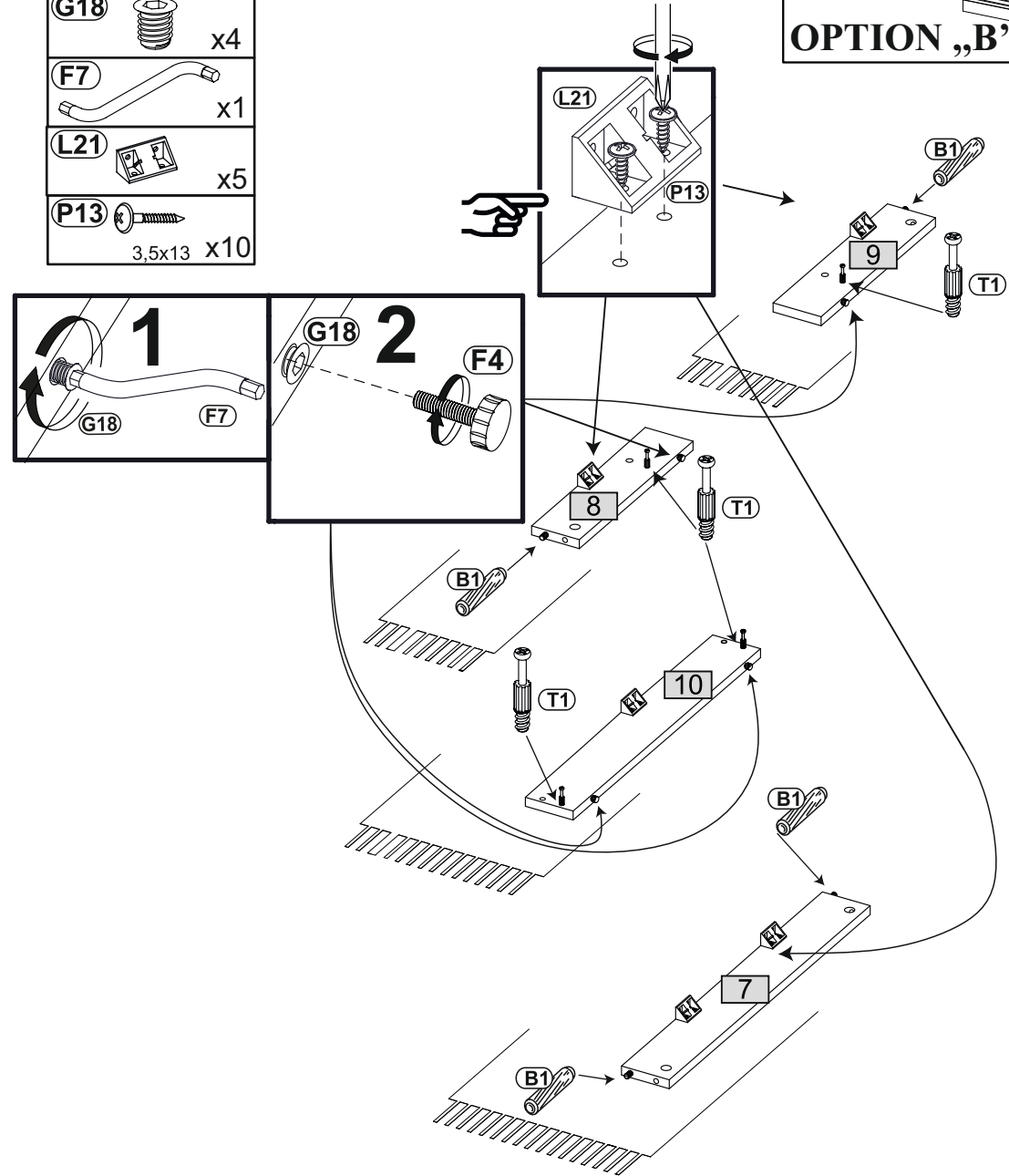
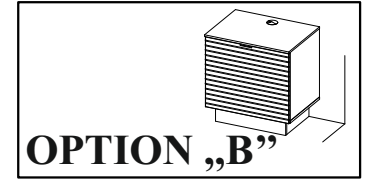
10-15

10

- F4** x4
- G18** x4
- F7** x1
- L21** x5
- P13** 3,5x13 x10

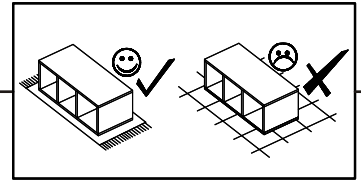
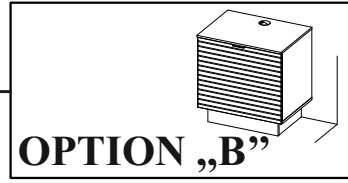
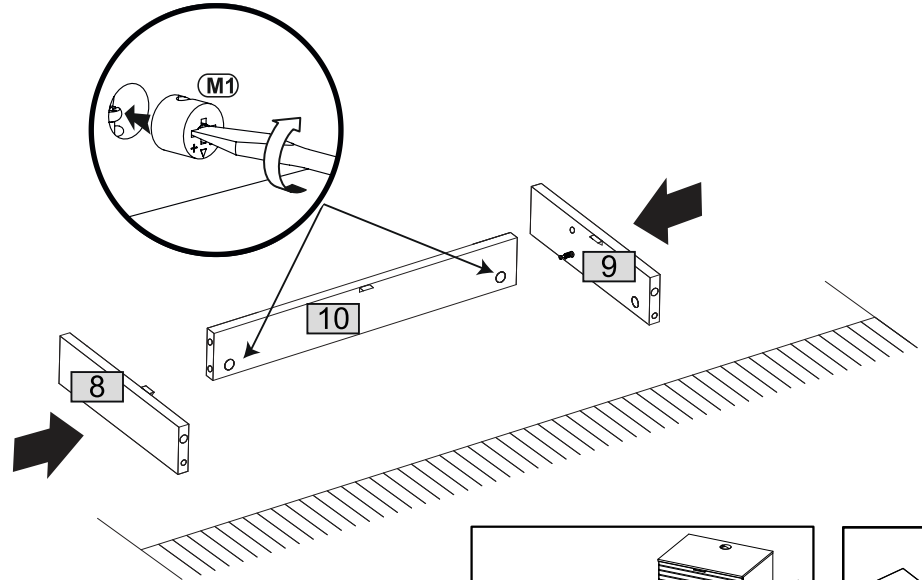
- T1** x4

- B1** ϕ 8x28 x4



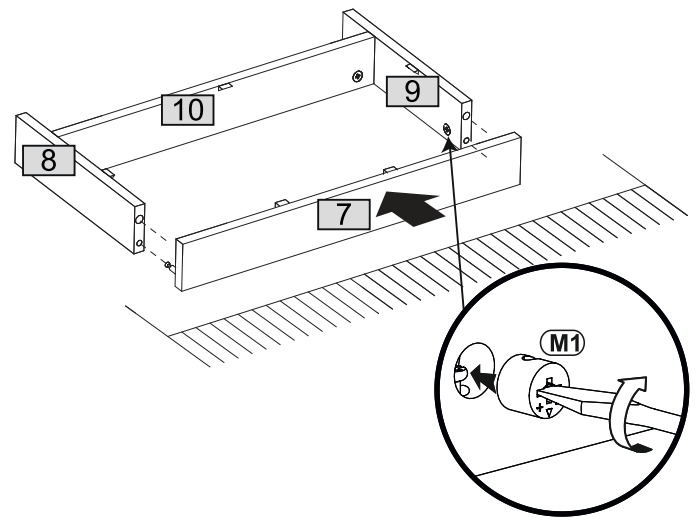
11

M1
φ15x12 x2



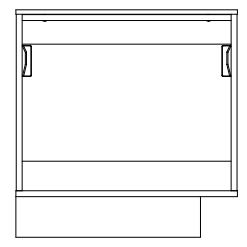
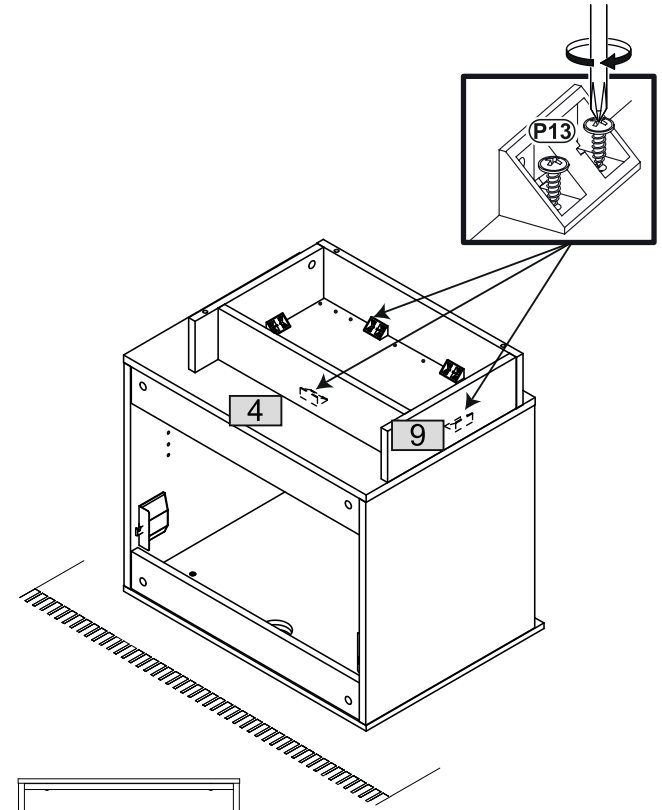
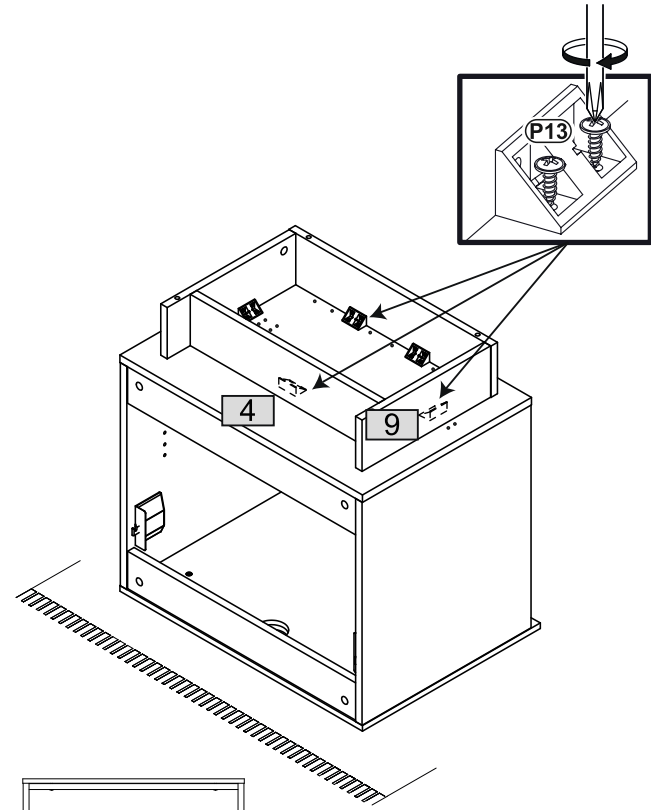
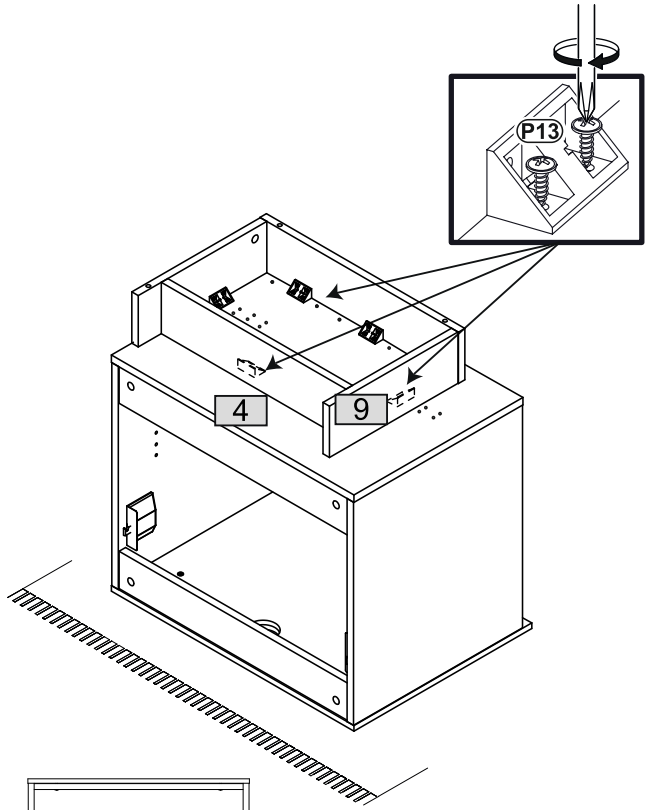
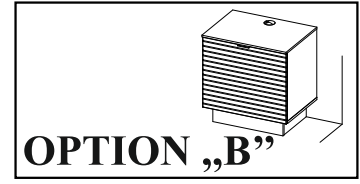
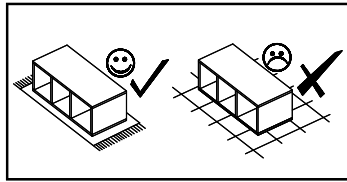
12

M1
φ15x12 x2

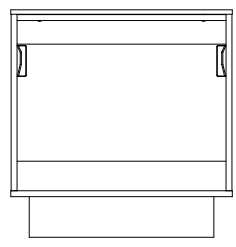
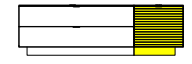
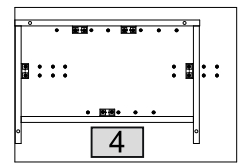


13

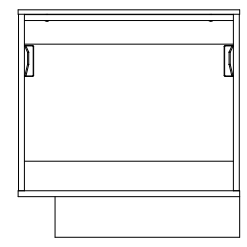
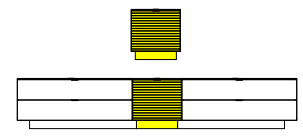
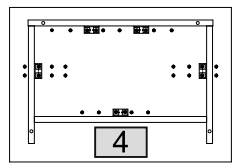
P13 3,5x13 x10



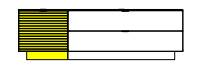
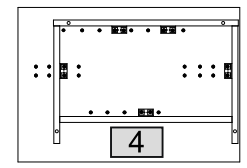
 **B1**



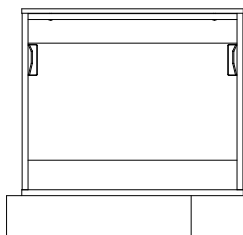
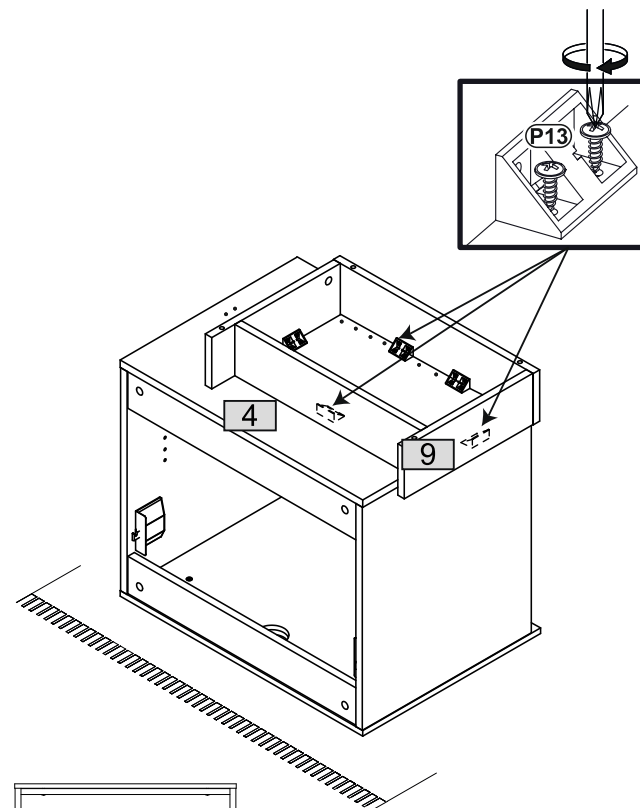
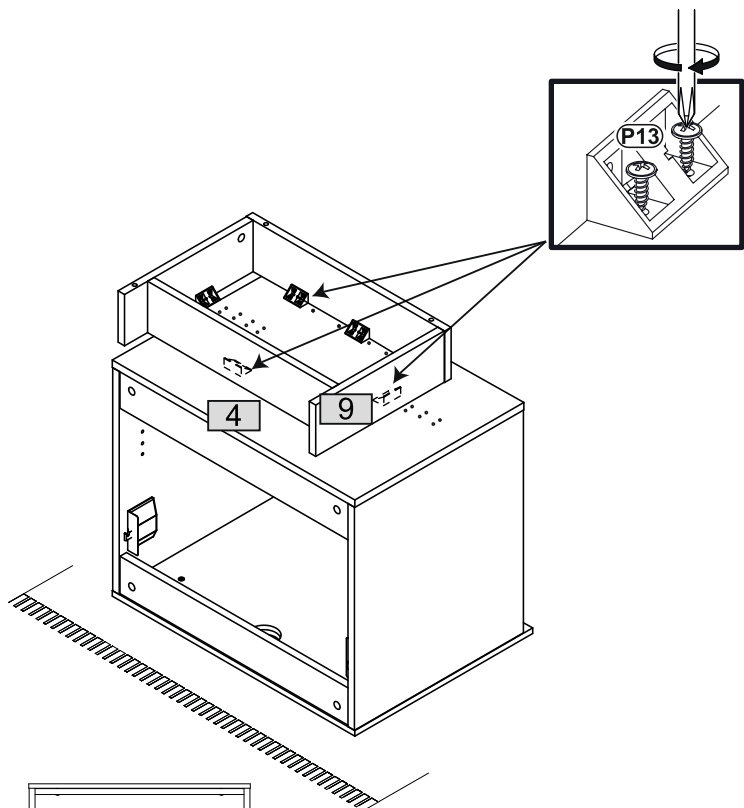
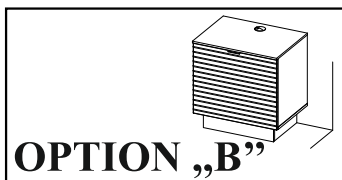
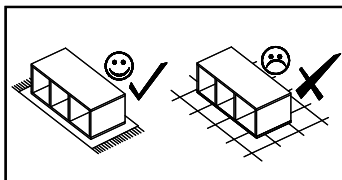
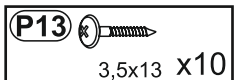
 **B2**



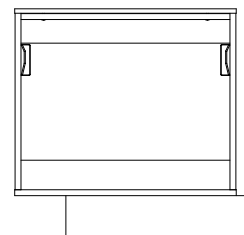
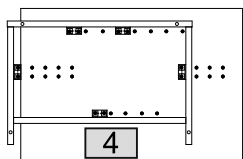
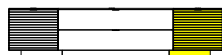
 **B3**



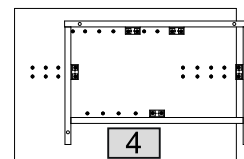
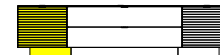
13



B4

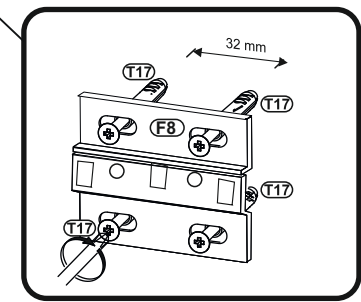
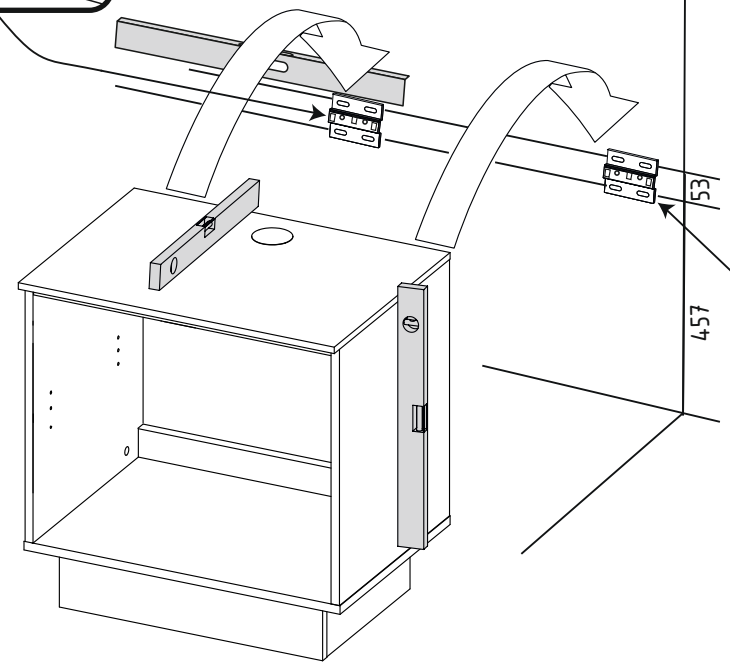
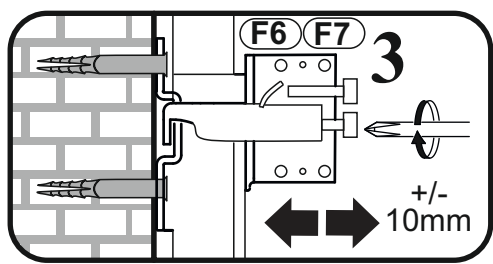
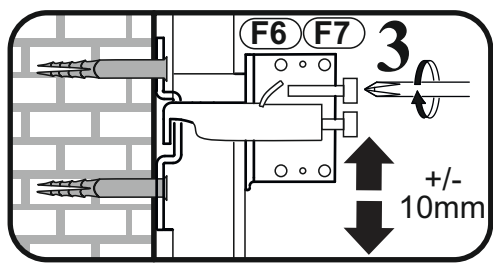
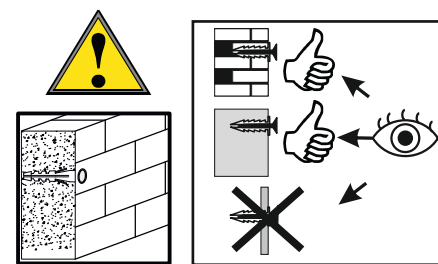
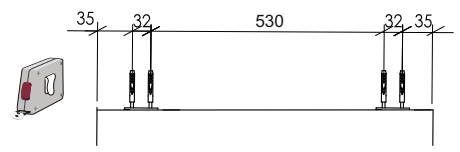
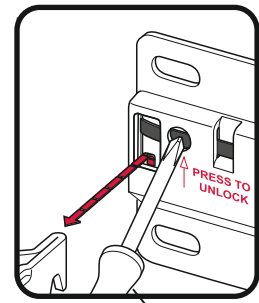
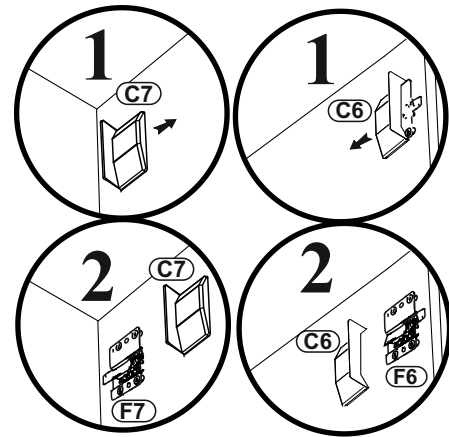
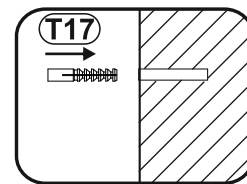
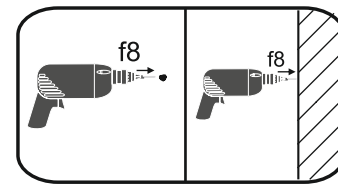
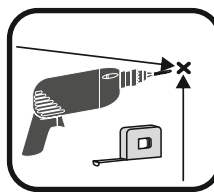
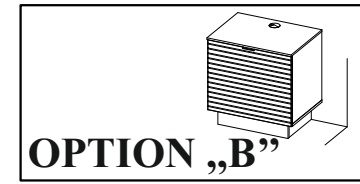


B5



14

T17	φ8x50	
5x60		x8
F8		x2



15

