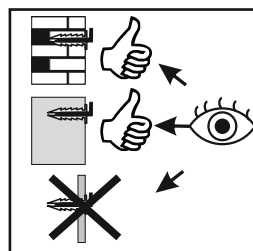
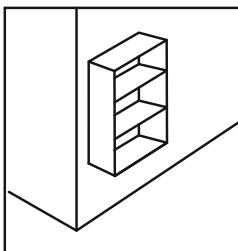
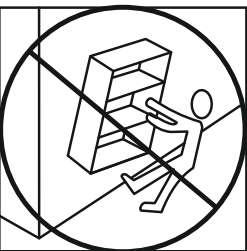
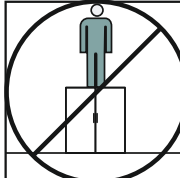
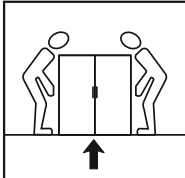
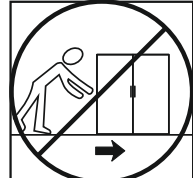
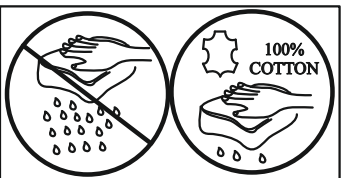
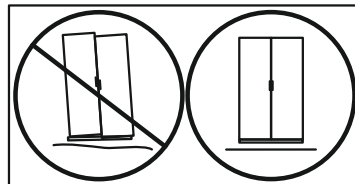
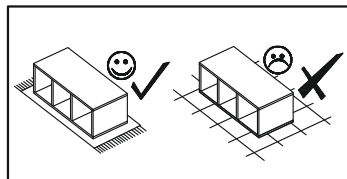
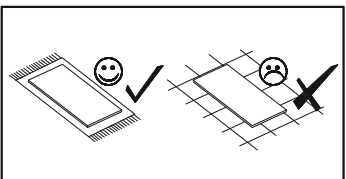
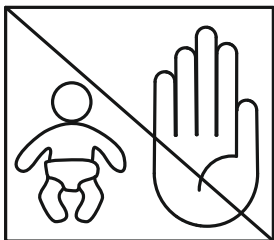
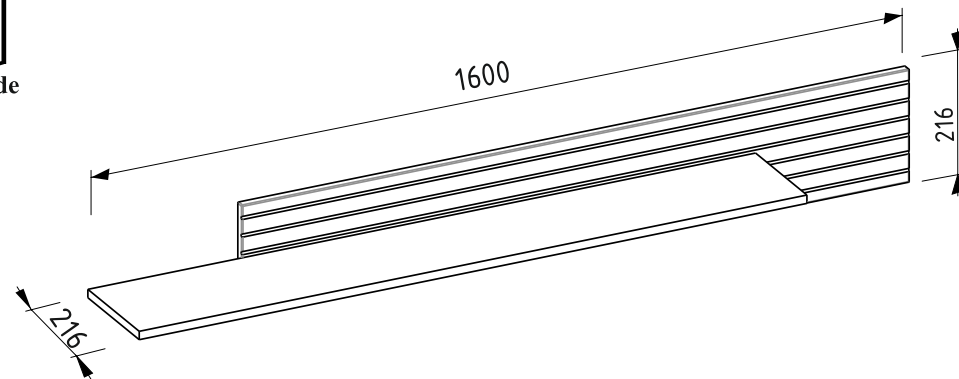
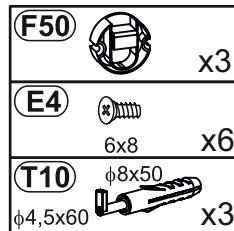
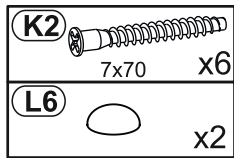
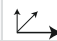





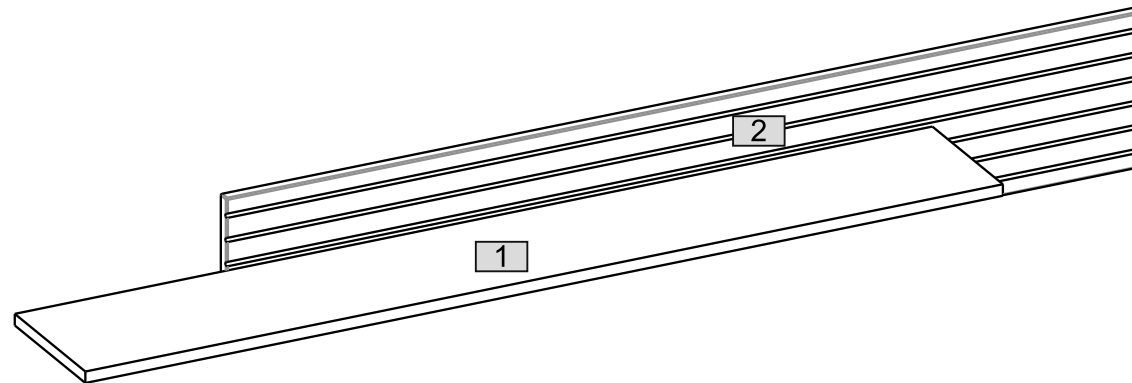
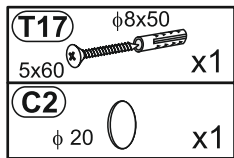
info@bega-consult.de



<https://quefairedemesdechets.fr>



Nr				pcs	
1	1300	200	16	1	1
2	1300	216	16	1	1



1

F50



x3

E4



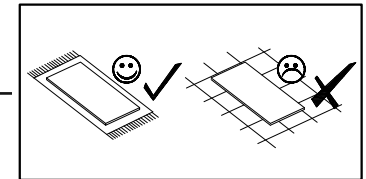
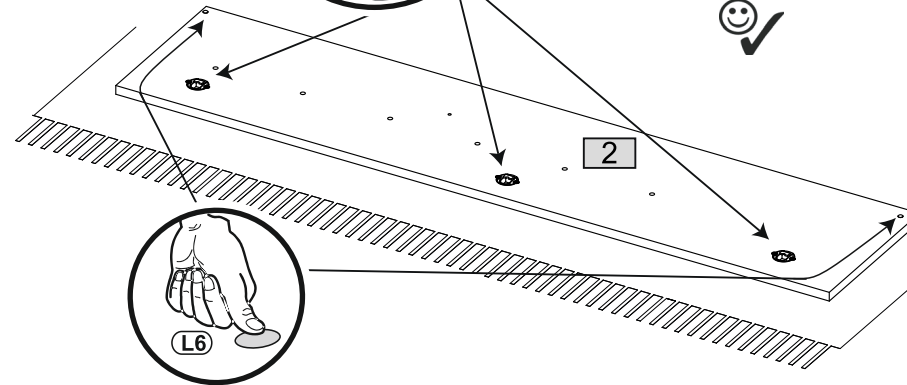
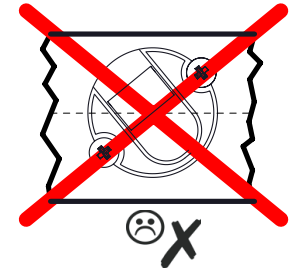
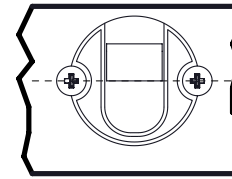
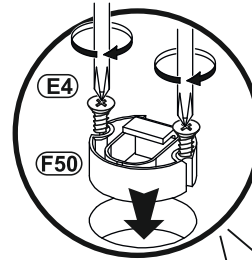
6x8

x6

L6



x2



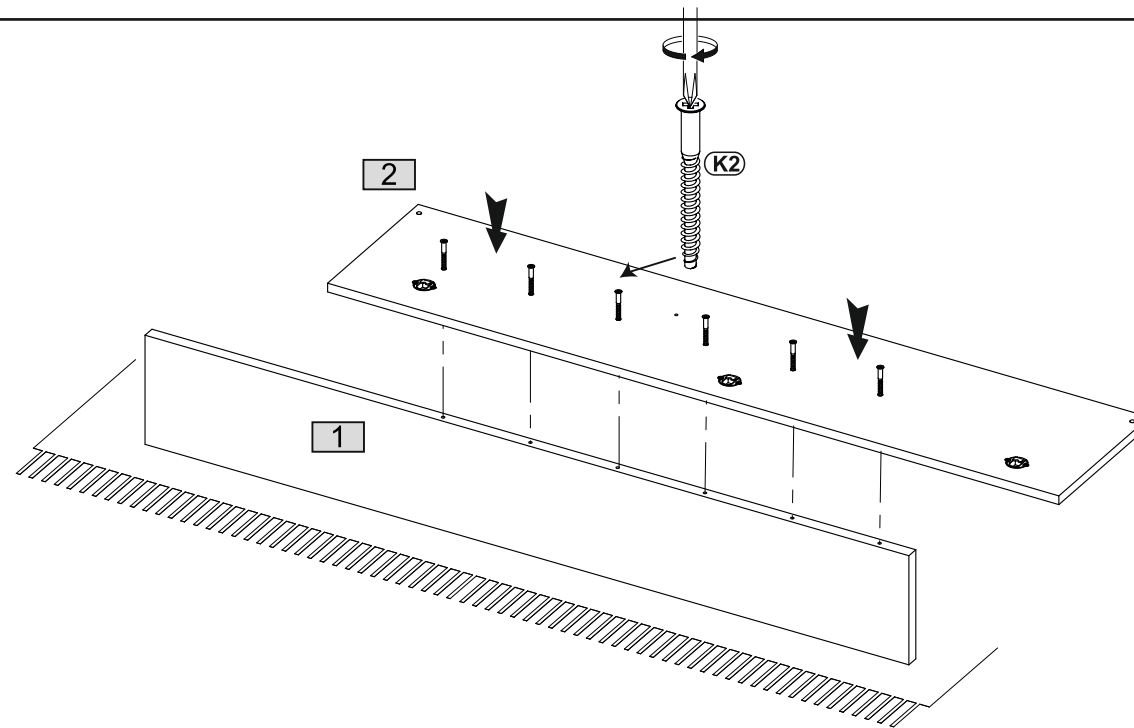
2

K2

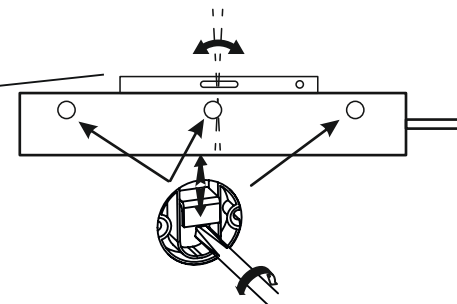
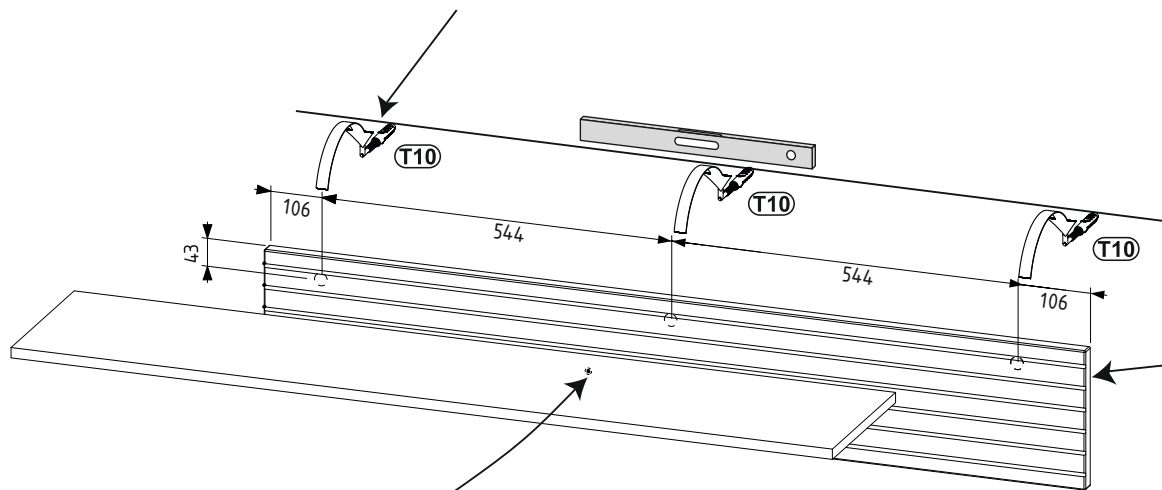
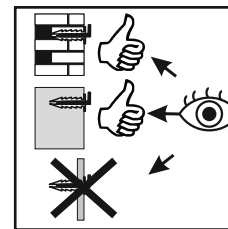
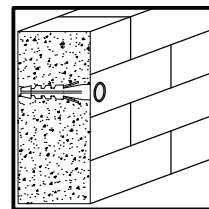
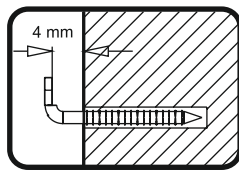
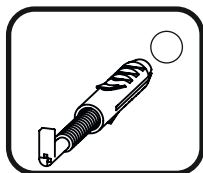
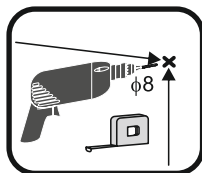
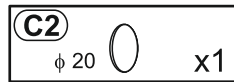
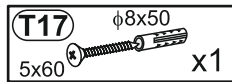
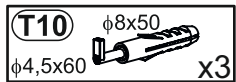


7x70

x6



3



OPTIONAL

