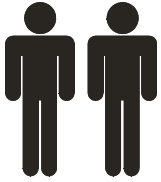


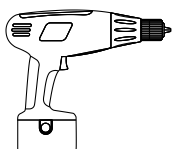
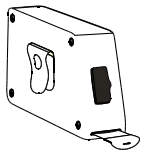
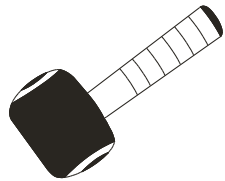
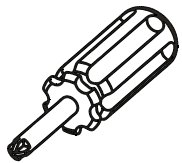
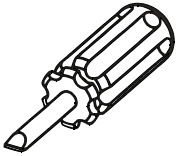
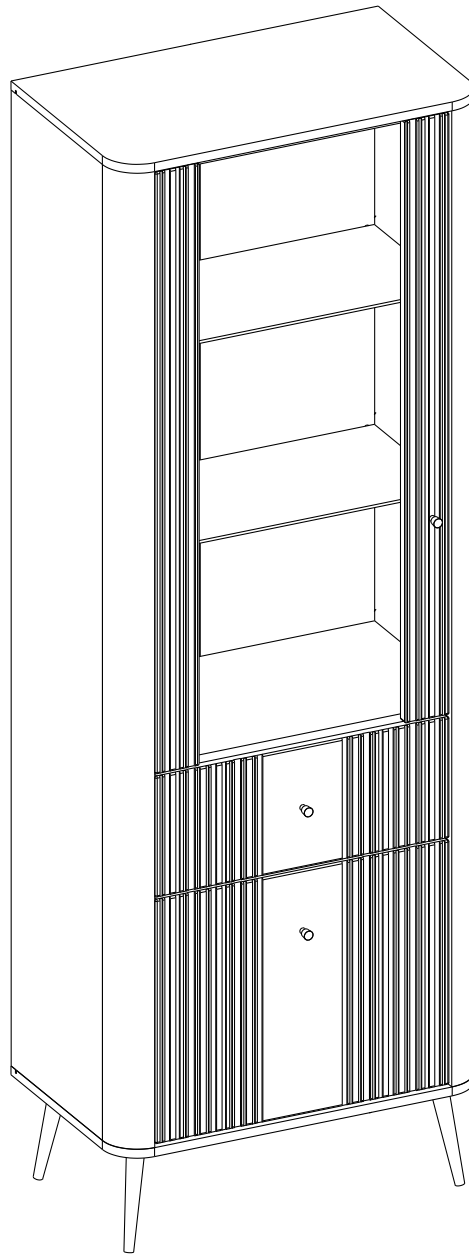
MODEL: VG08



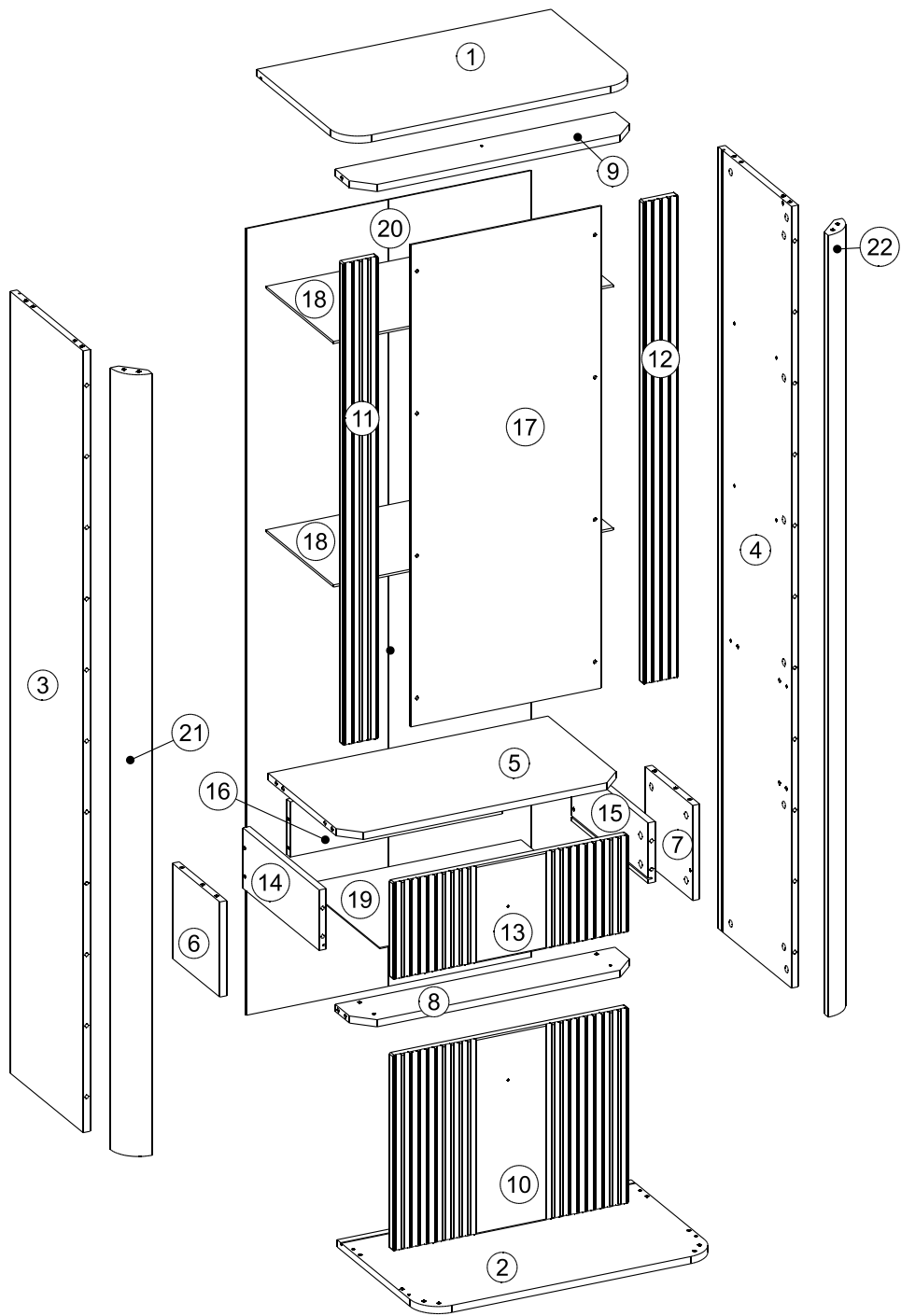
197

40

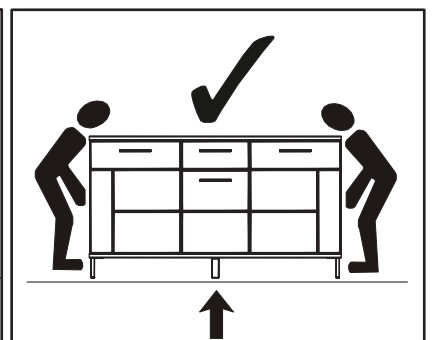
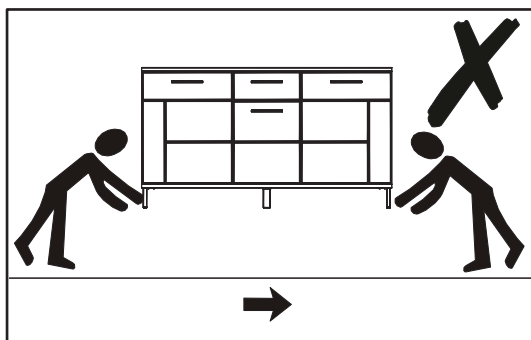
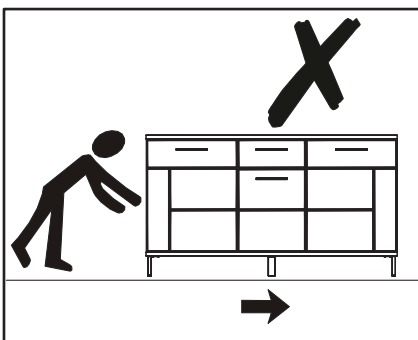
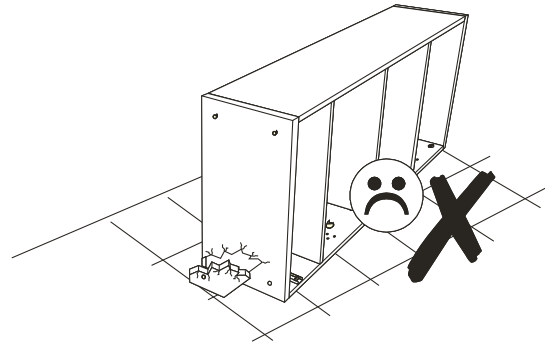
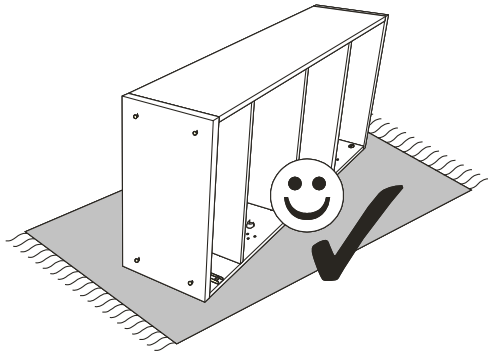
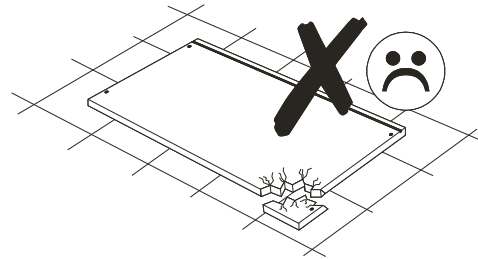
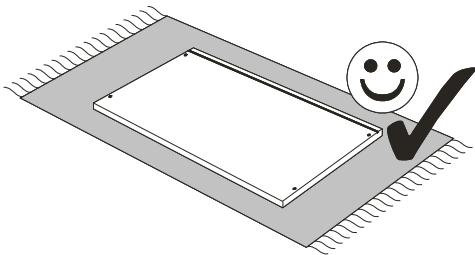
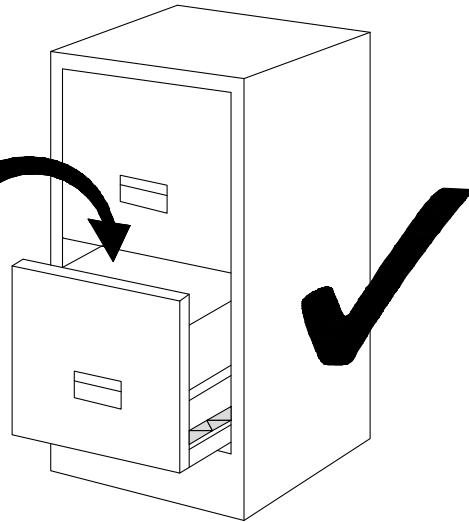
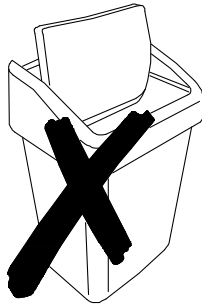
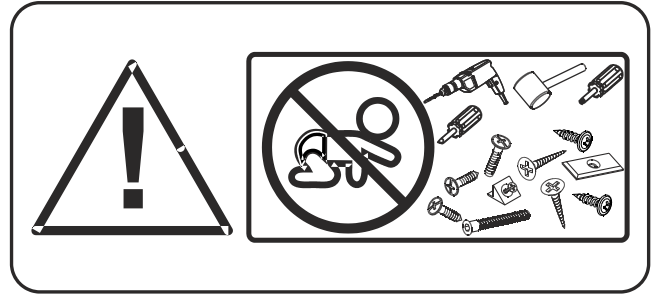
68

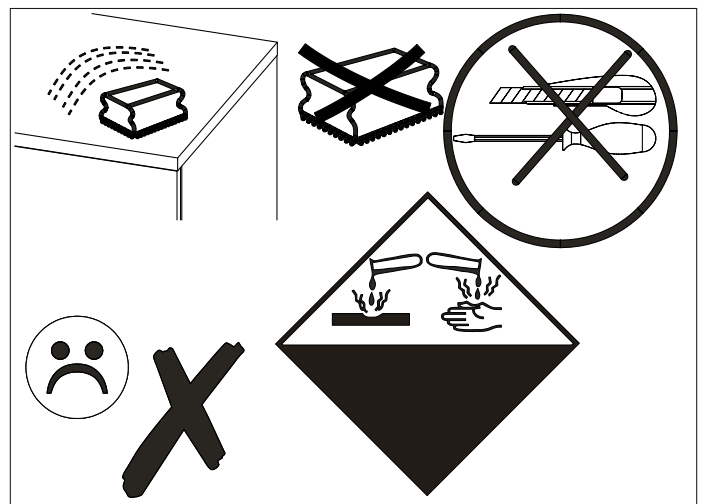
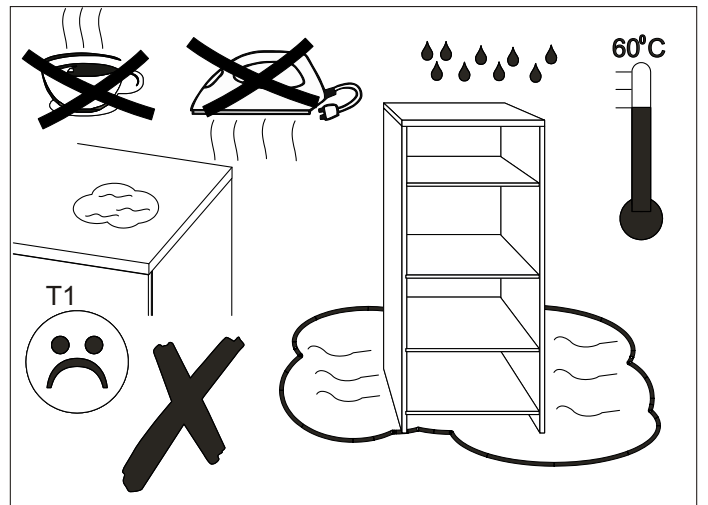
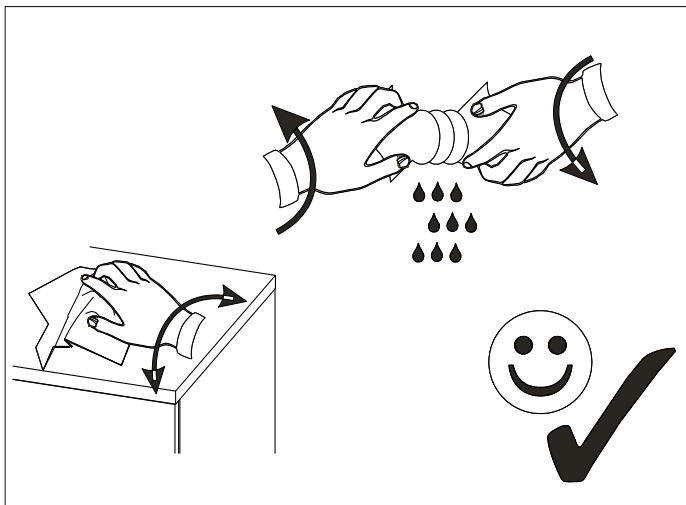
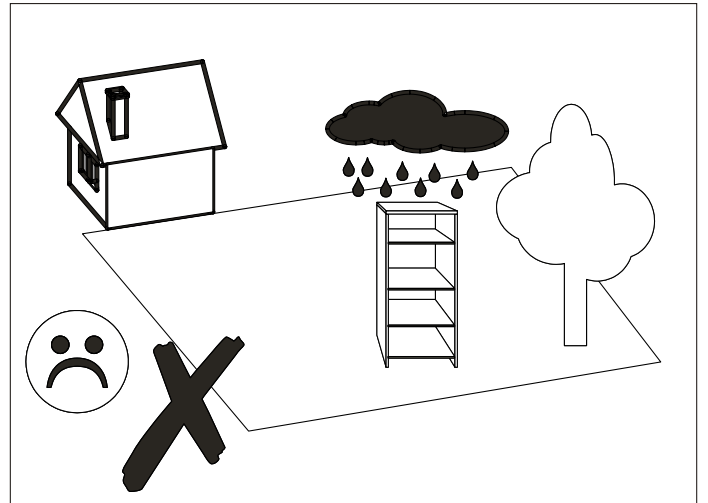
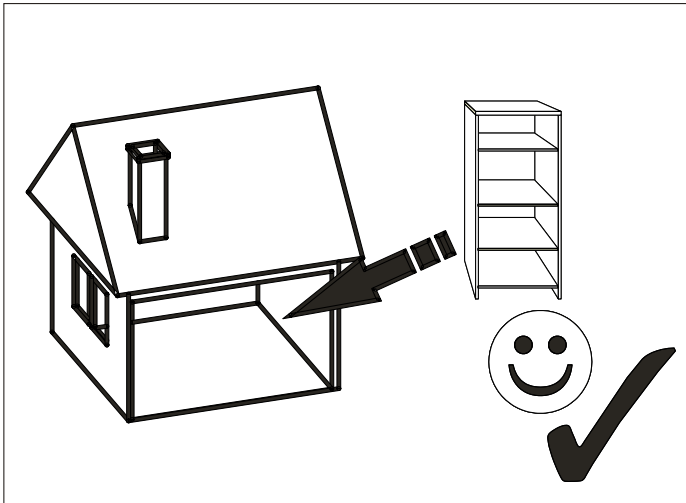


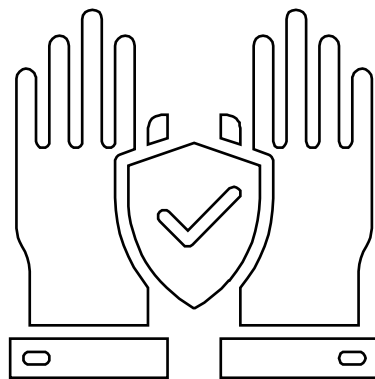
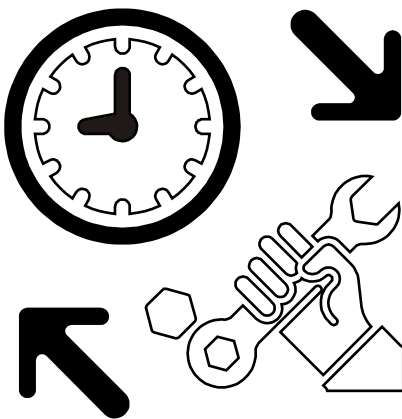
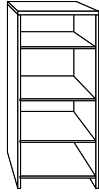
5x ZC45	12x 3.5x13 W3	8x 4x16 WP4	8x B2	8x TU1	1x 4x30 W4			
1x L1	5x 4mm O1	12x ST1	1 kpl #350L PK3	3x M4x24 S4	12x 3x20 W9	4x N1	1x #14/042 ZN1	24x #20/042 ZN1
4x 6.4x50 K5	36x 8x30 K1	3x U1	1x K20	34x #15/15 M1	34x DU232T T1	16x 4.5x16 W7	9x 2x20 G1	8x 5x11 E1



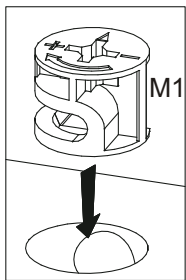
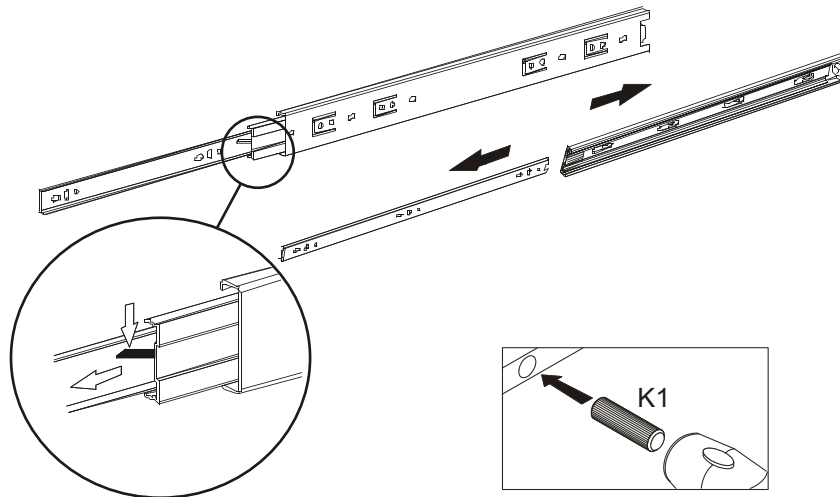
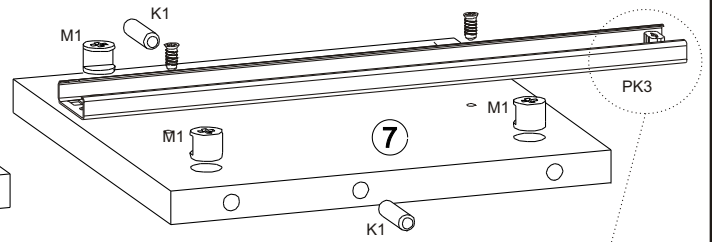
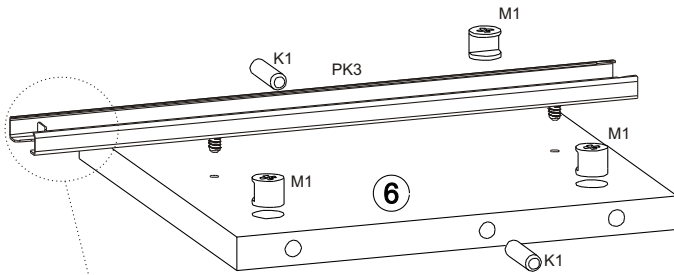
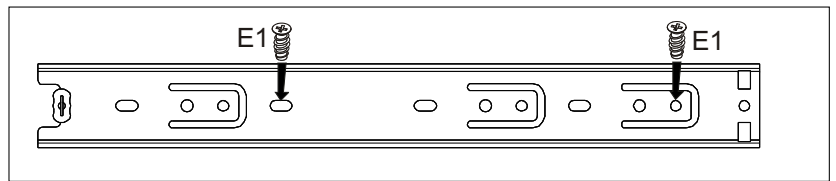
11	1084x81	3/4	22	1758x90.5	2/4
10	540x440	3/4	21	1758x90.5	2/4
9	642x108	2/4	20	1769x653	2/4
8	642x108	2/4	19	336x485	2/4
7	214x218	2/4	18	641x290	1/4
6	214x218	2/4	17	1084x438	2/4
5	642x354	2/4	16	470x124	2/4
4	1758x335.5	2/4	15	330x136	2/4
3	1758x335.5	2/4	14	330x136	2/4
2	675x400	1/4	13	540x218	3/4
1	675x400	1/4	12	1084x81	3/4



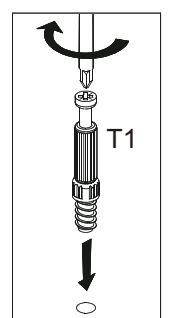
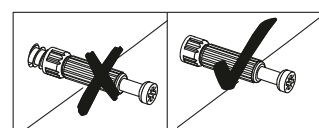
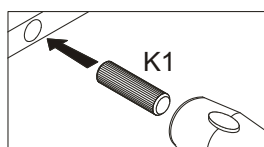
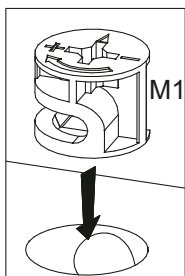
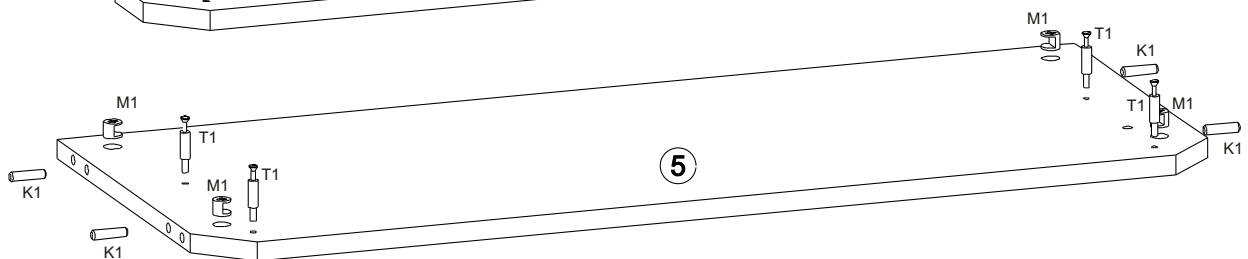
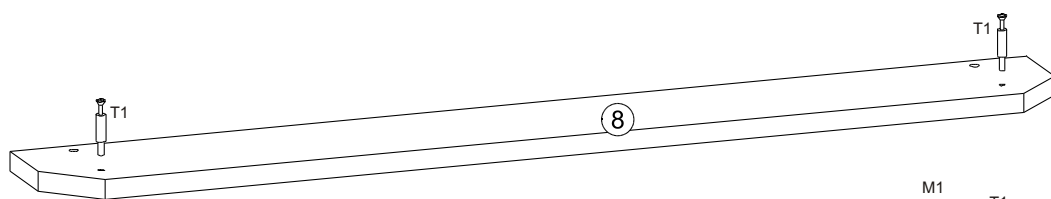




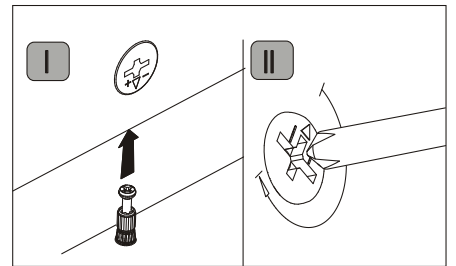
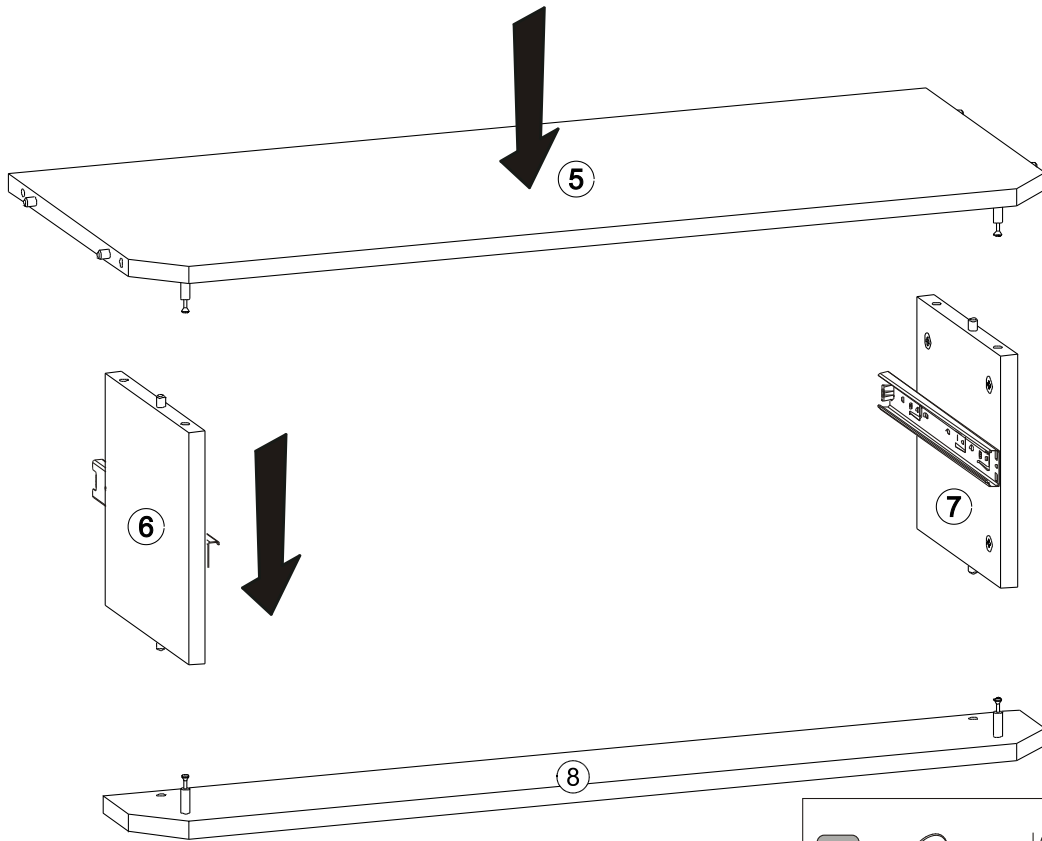
1



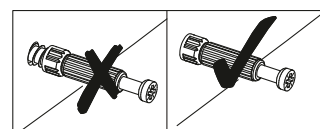
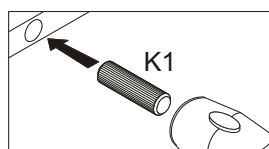
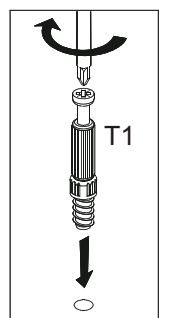
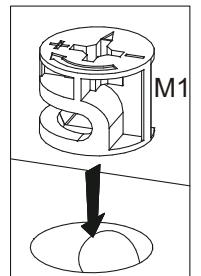
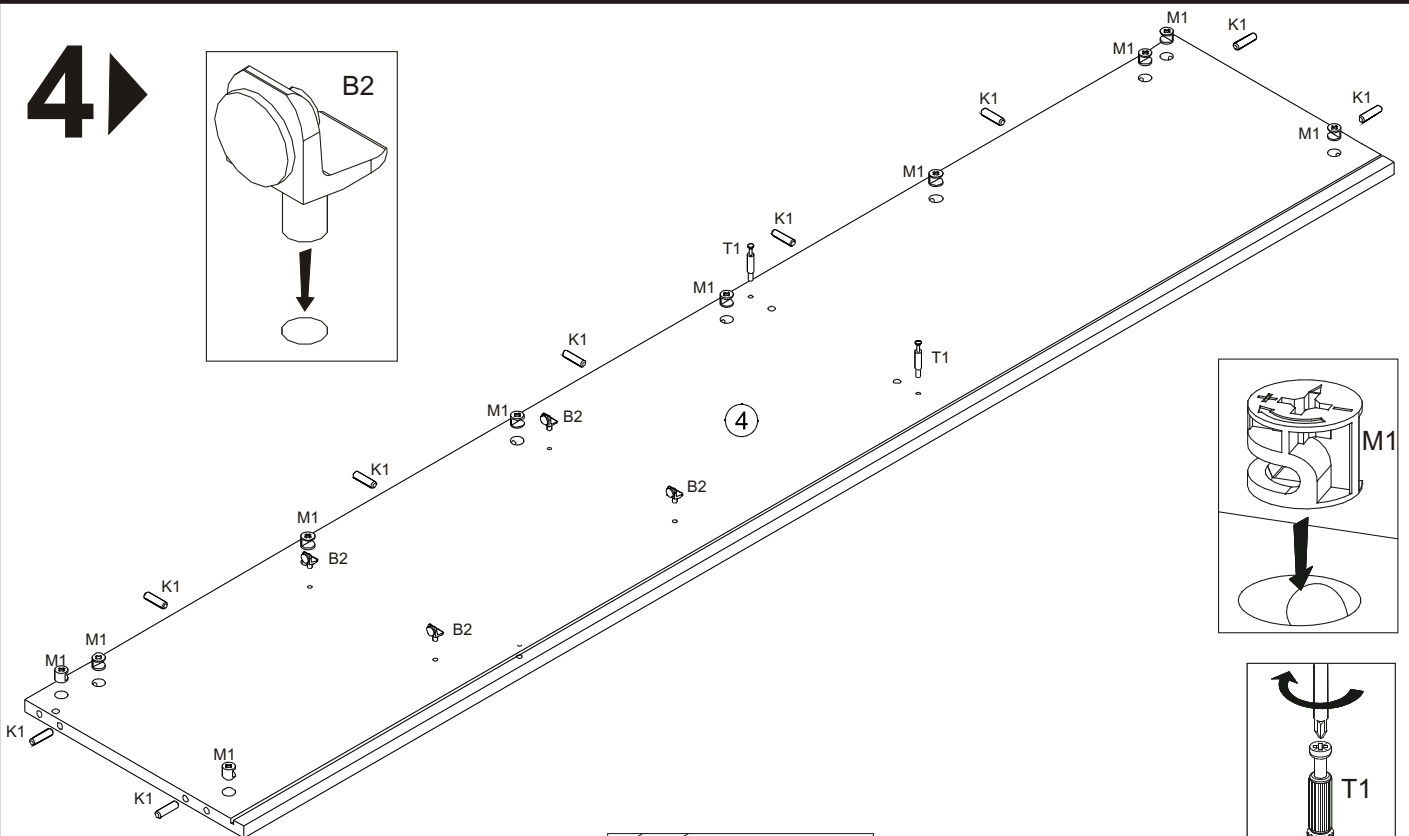
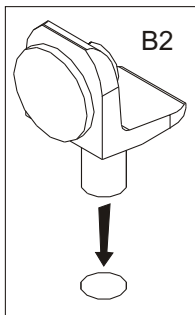
2



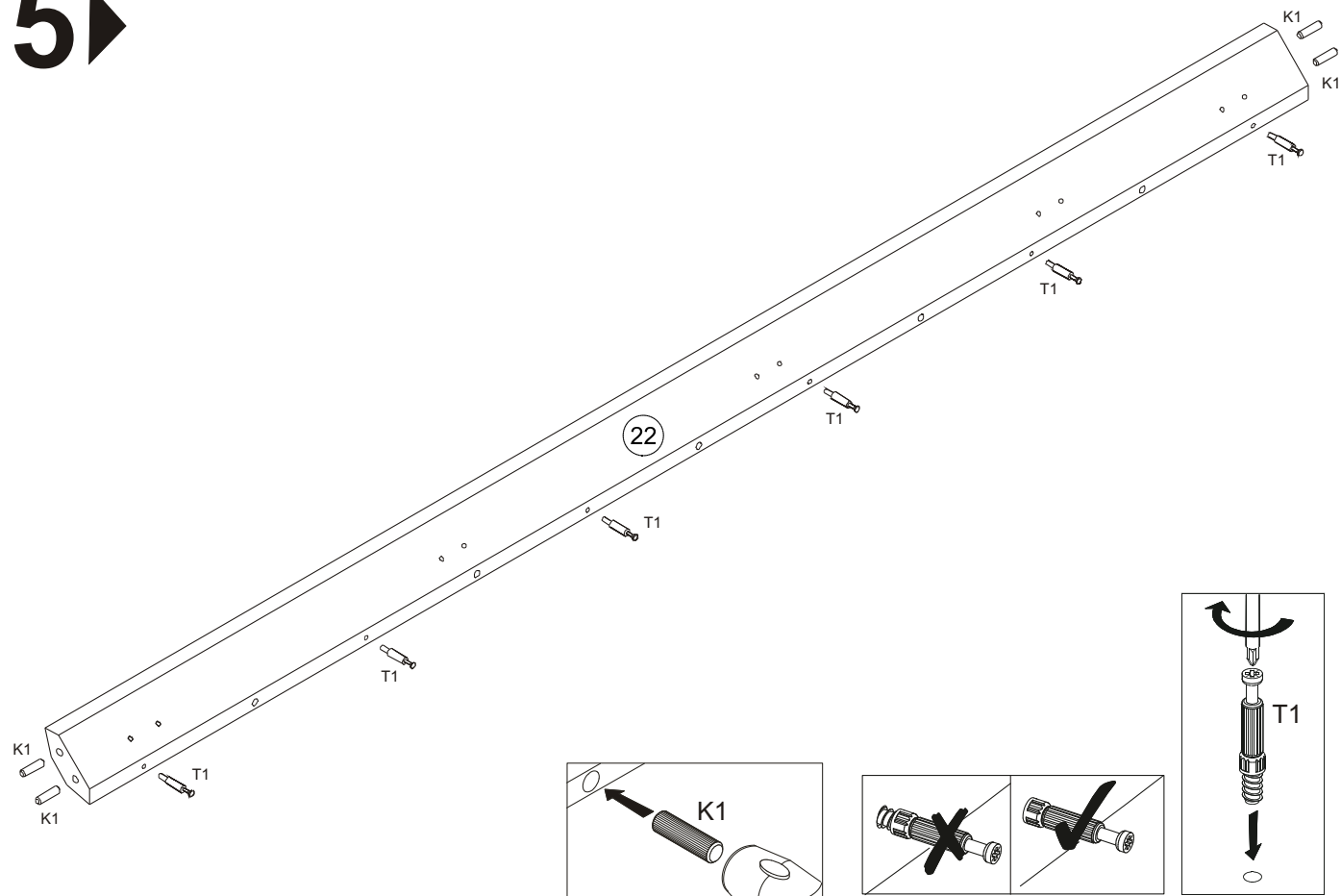
3 ▶



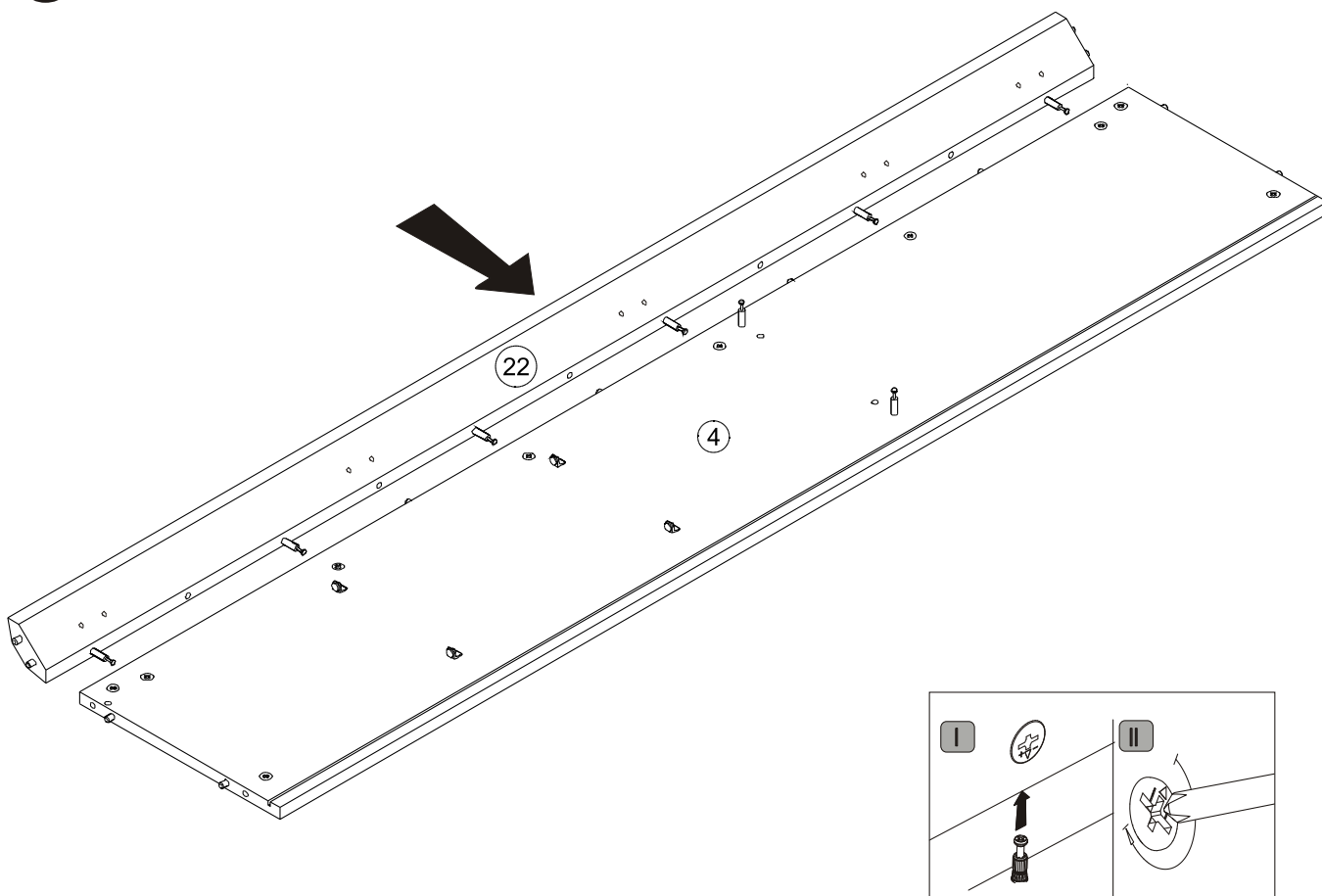
4 ▶



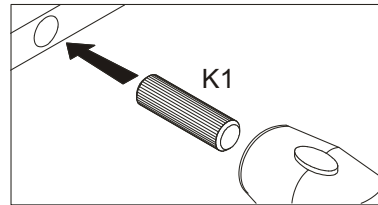
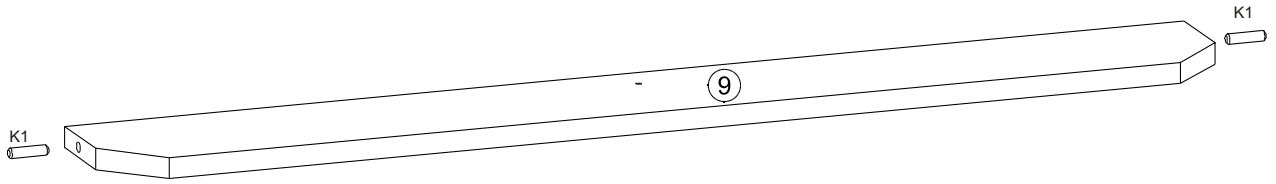
5 ▶



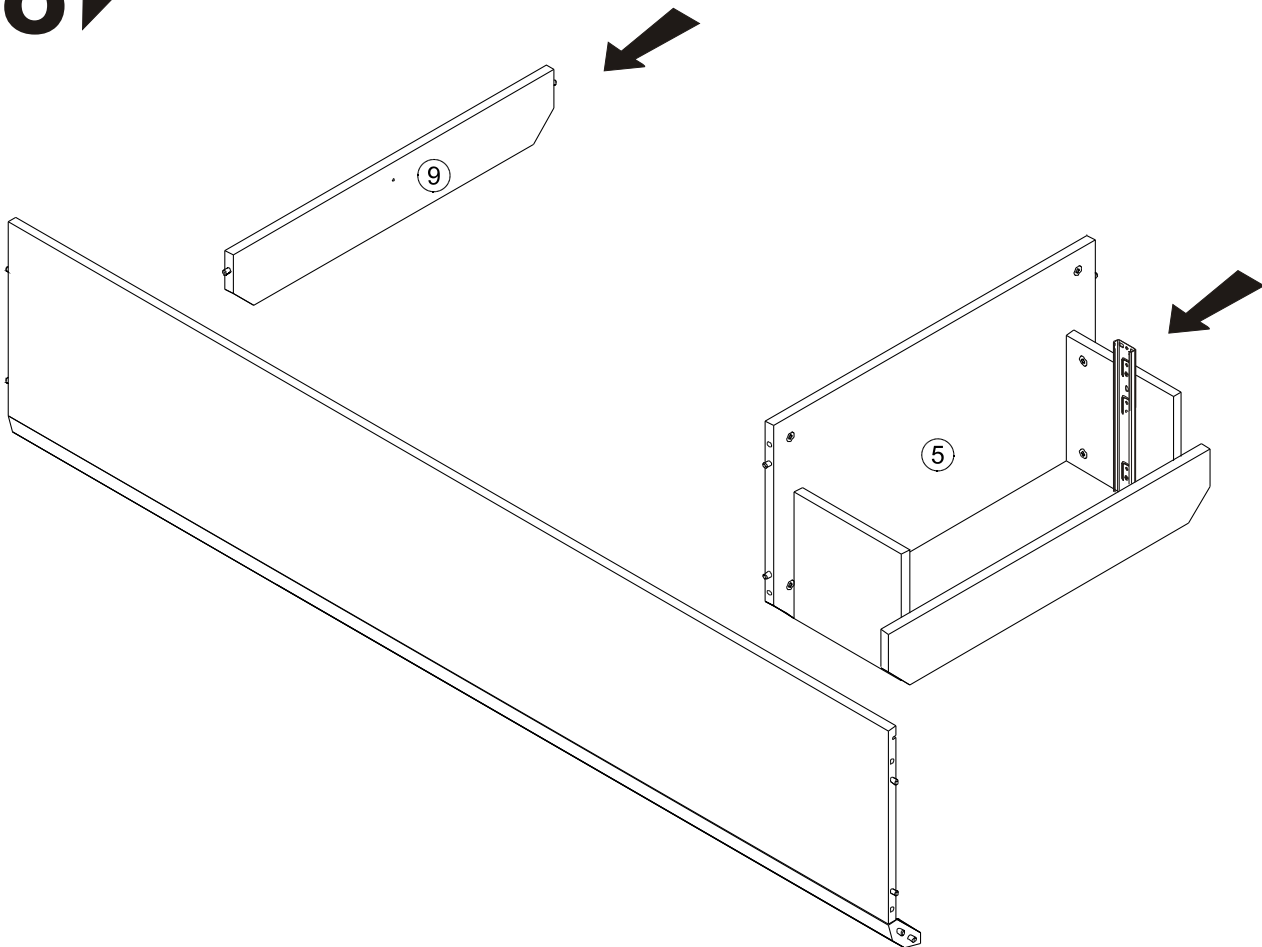
6 ▶



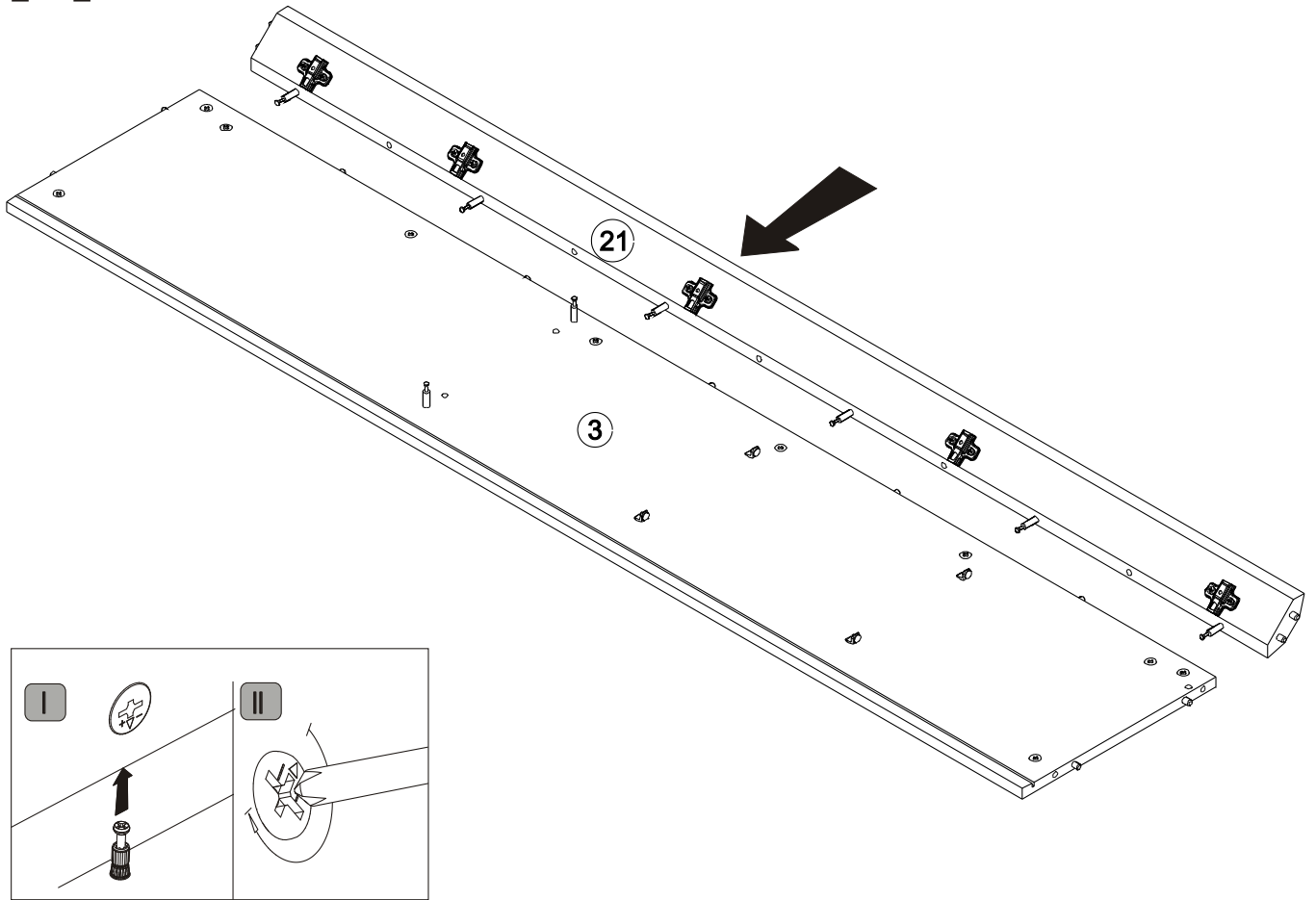
7 ▶



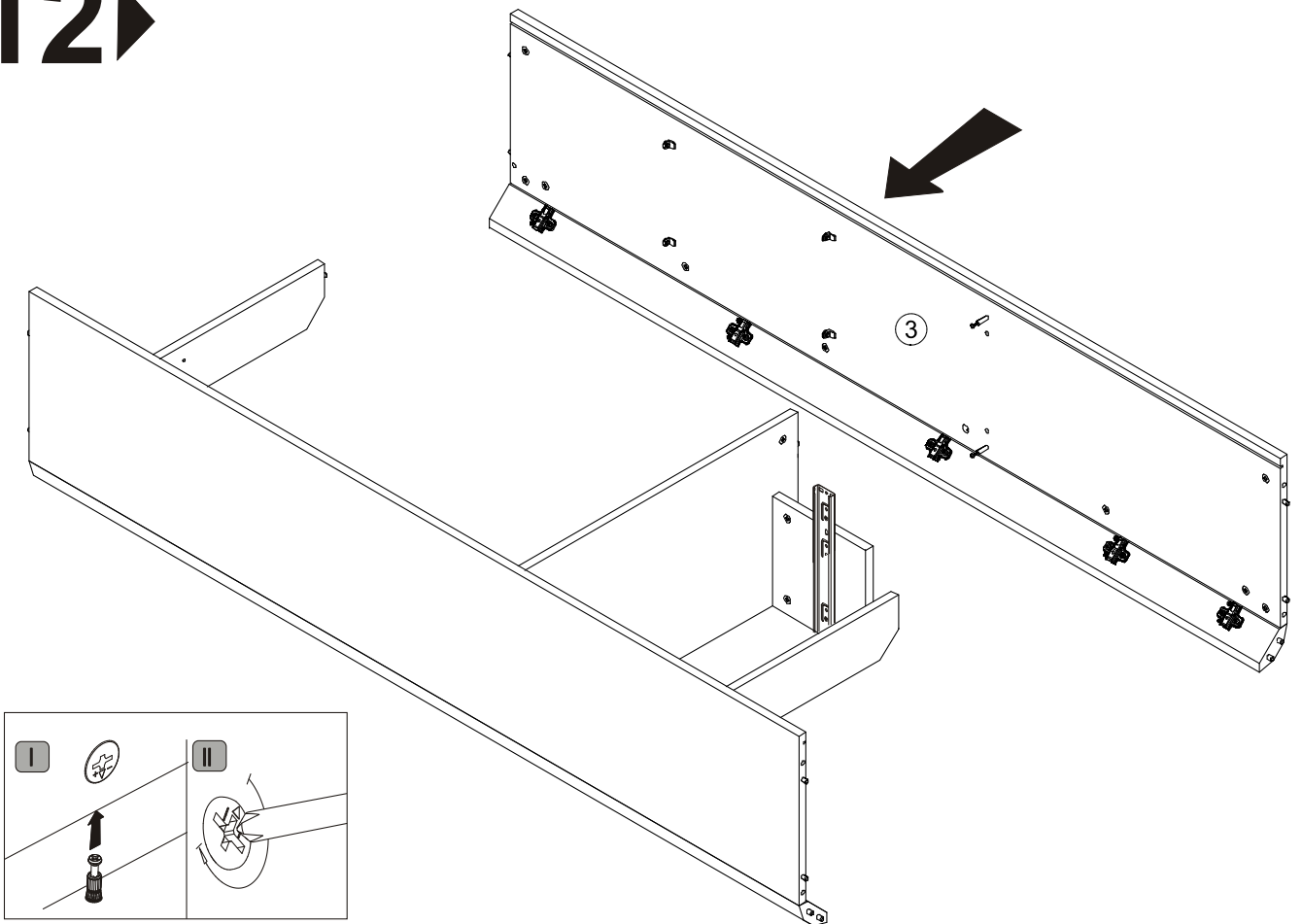
8 ▶



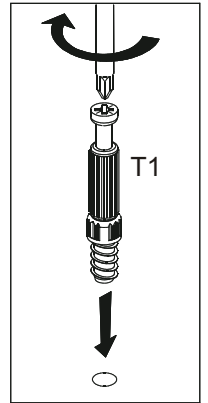
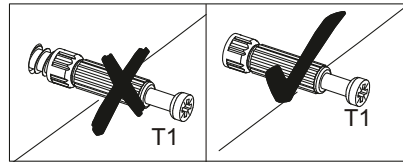
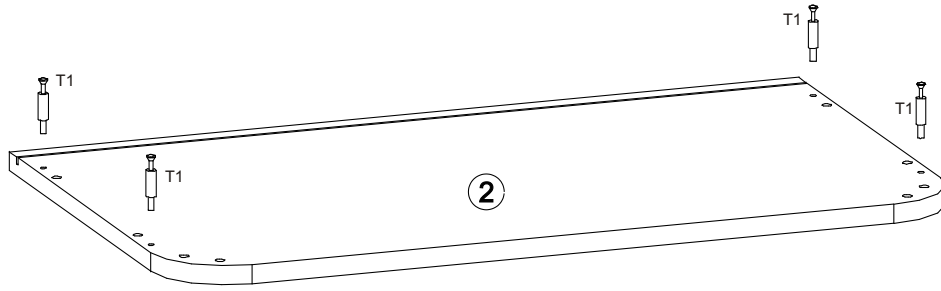
11▶



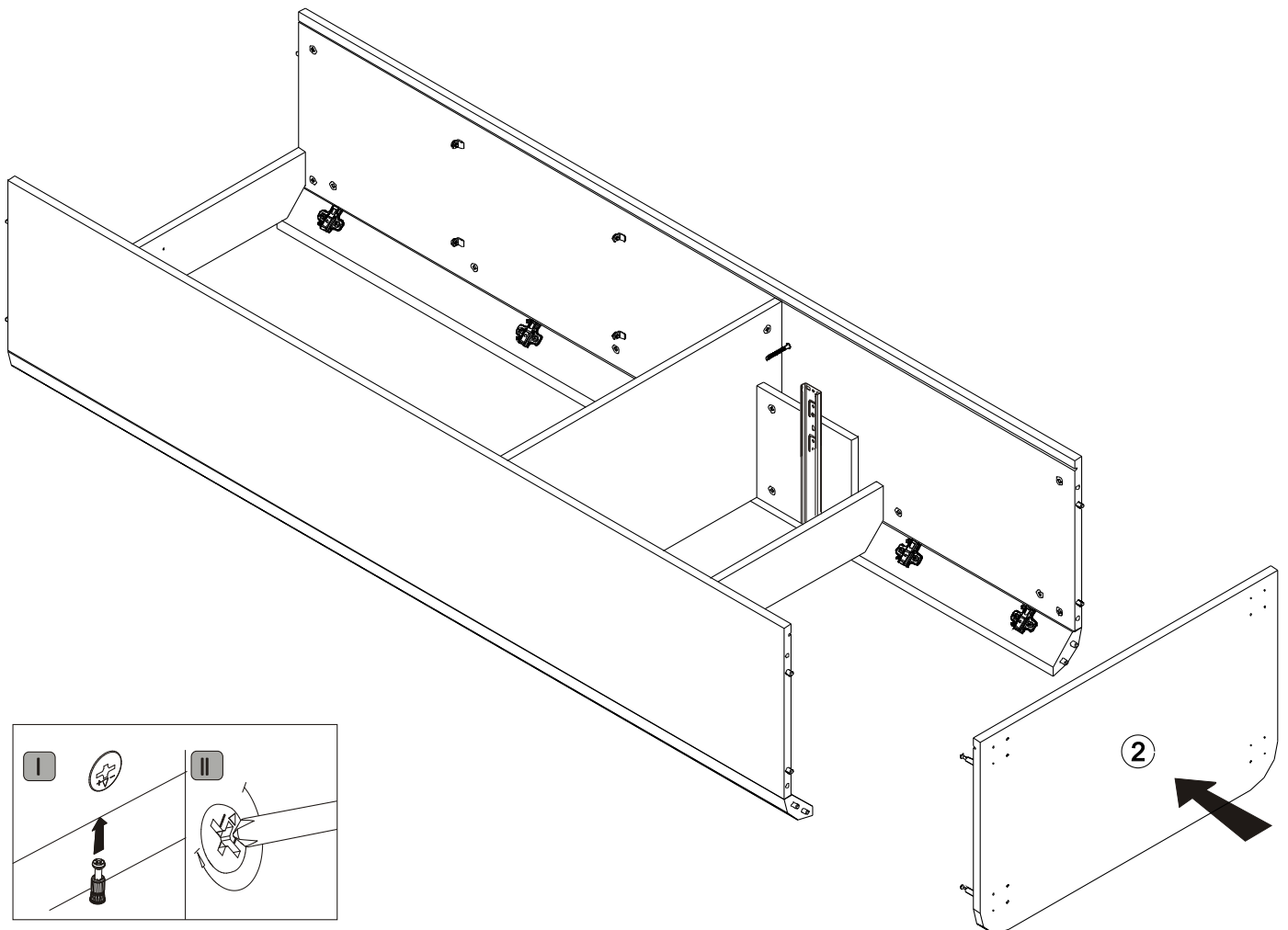
12▶



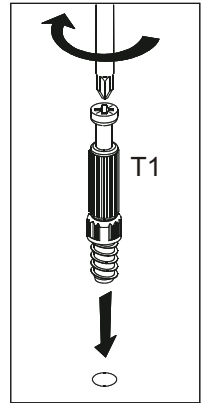
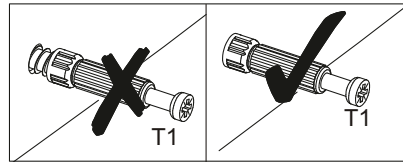
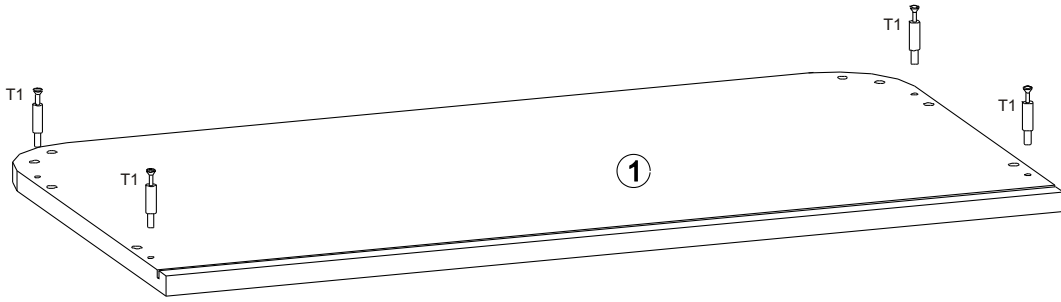
13▶



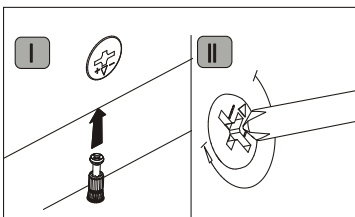
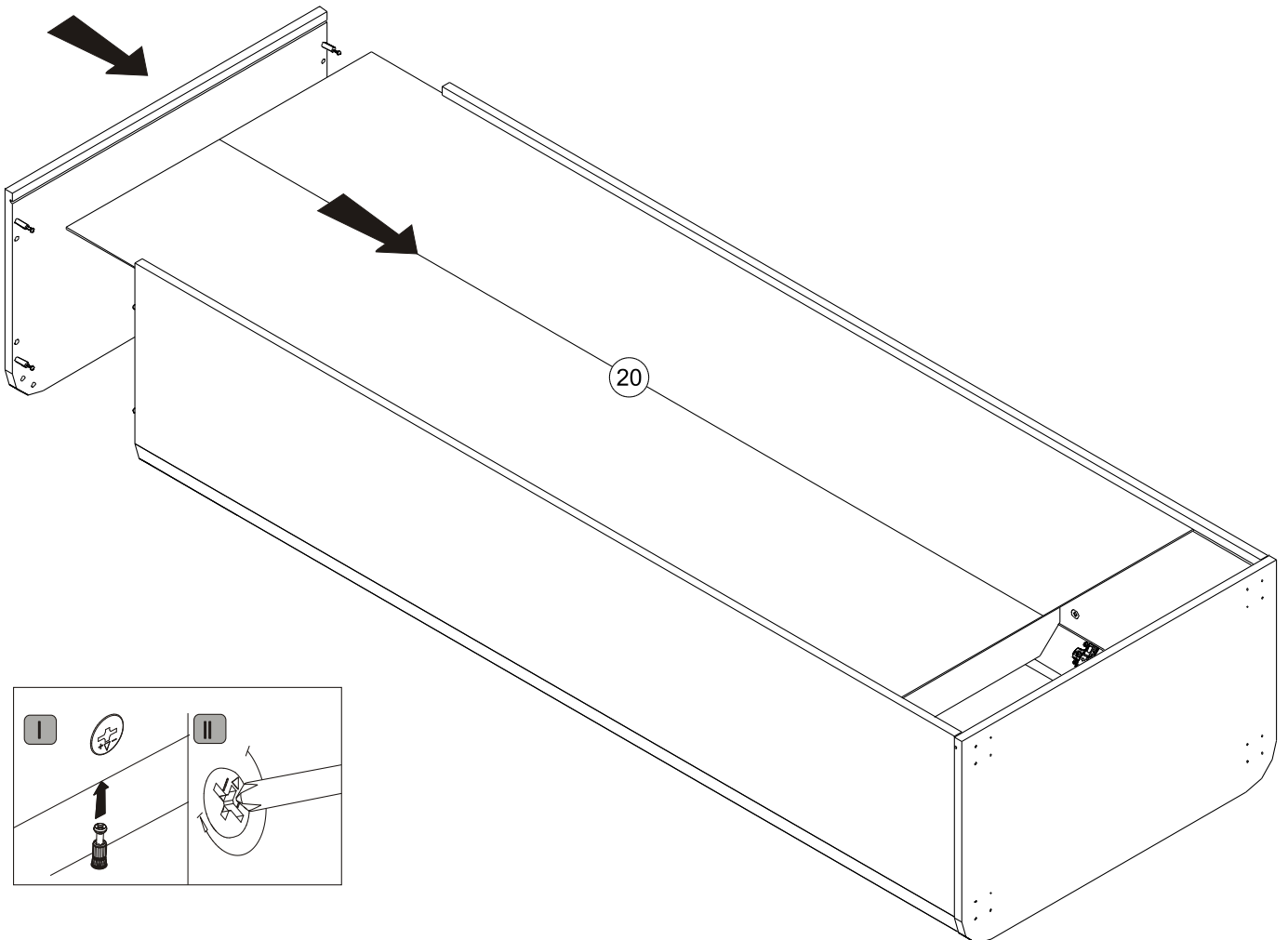
14▶



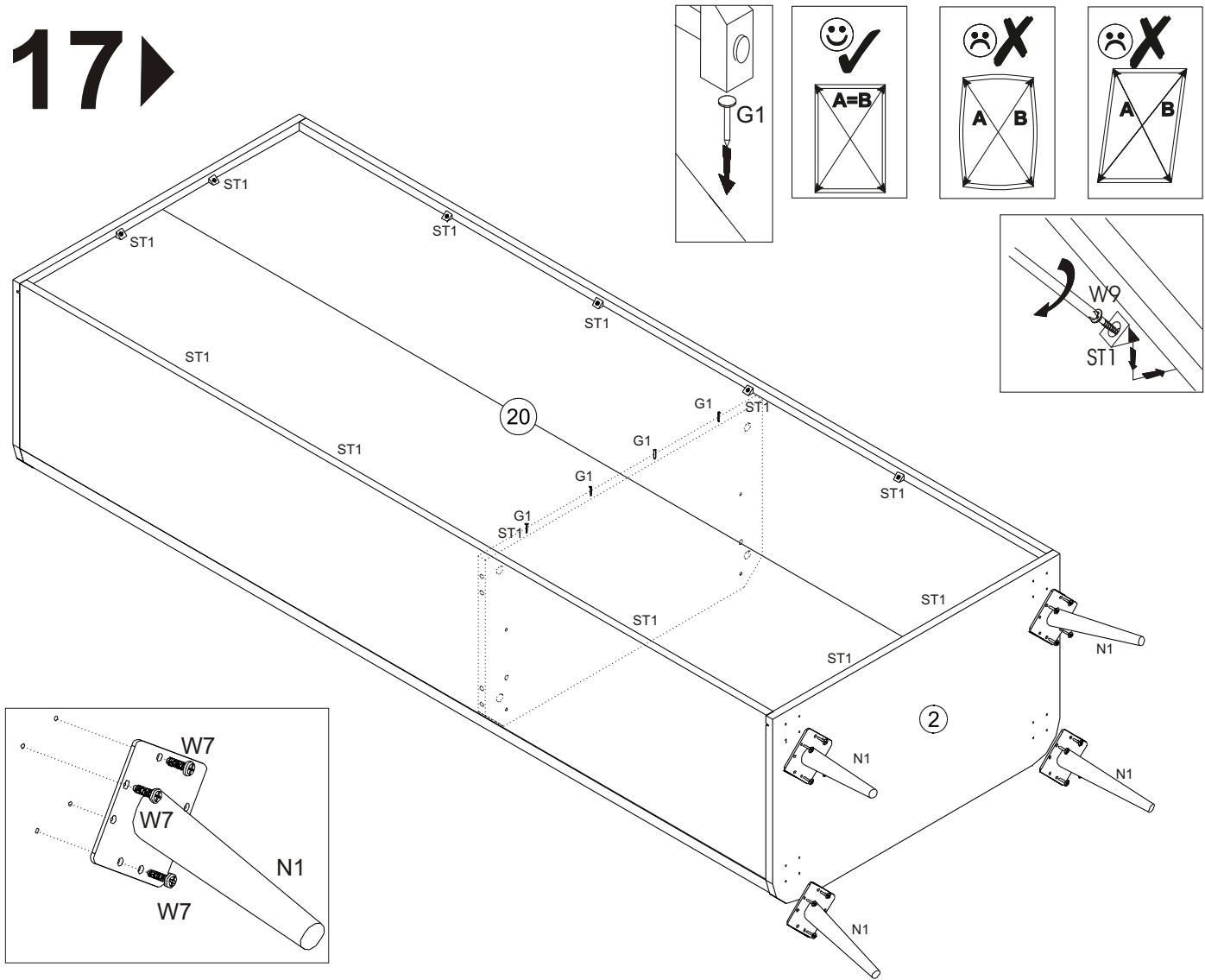
15 ▶



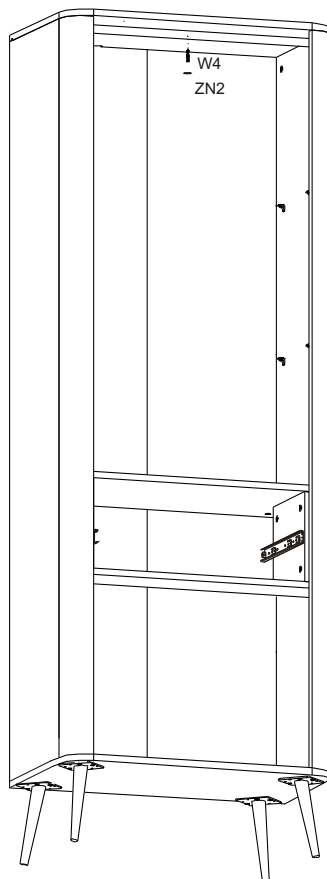
16 ▶



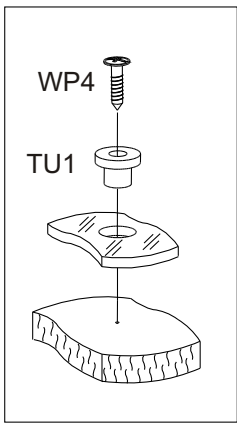
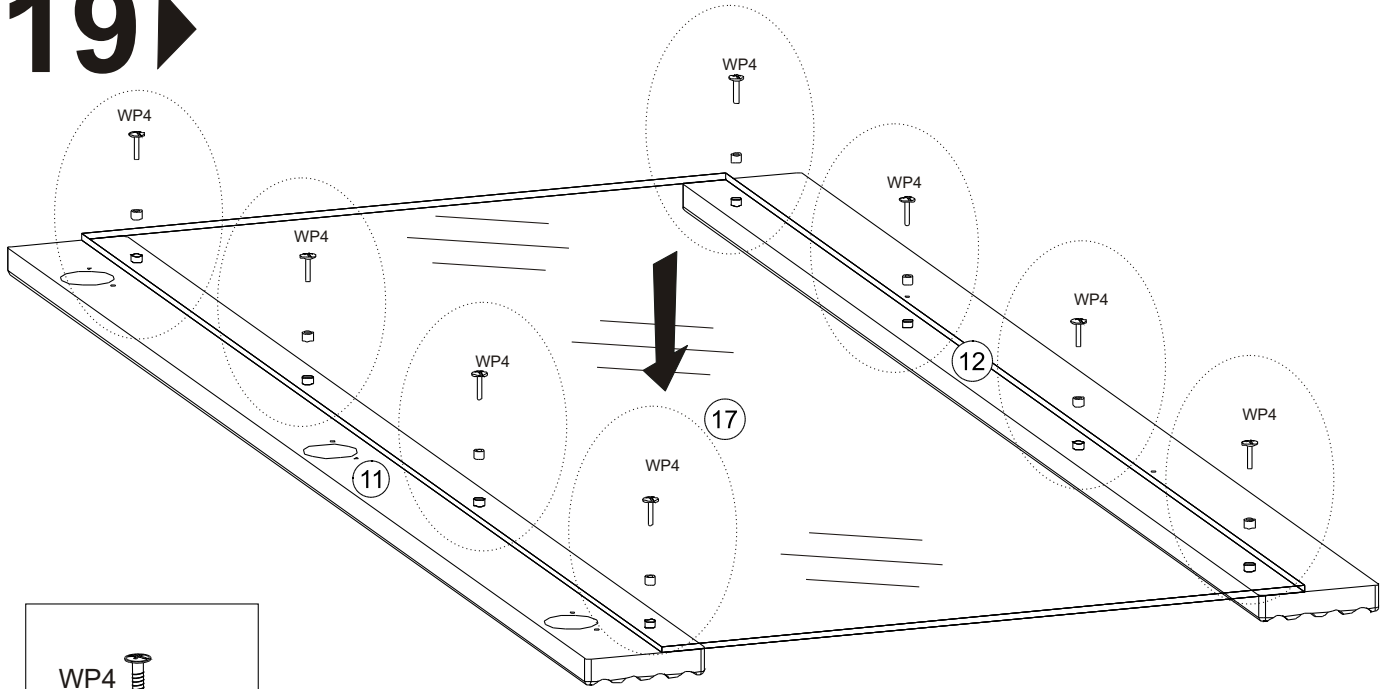
17 ▶



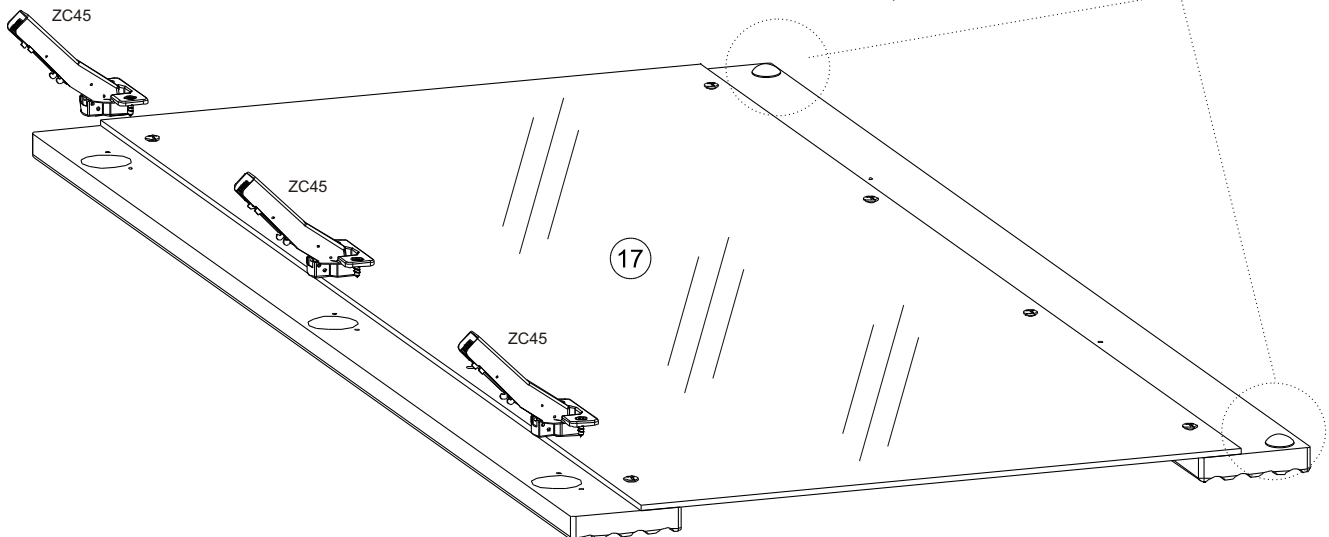
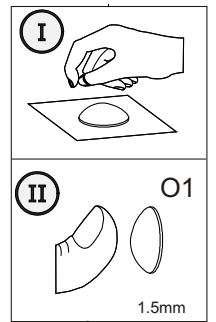
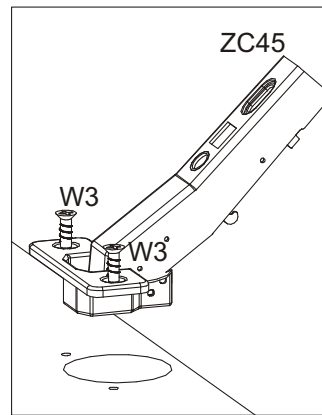
18 ▶



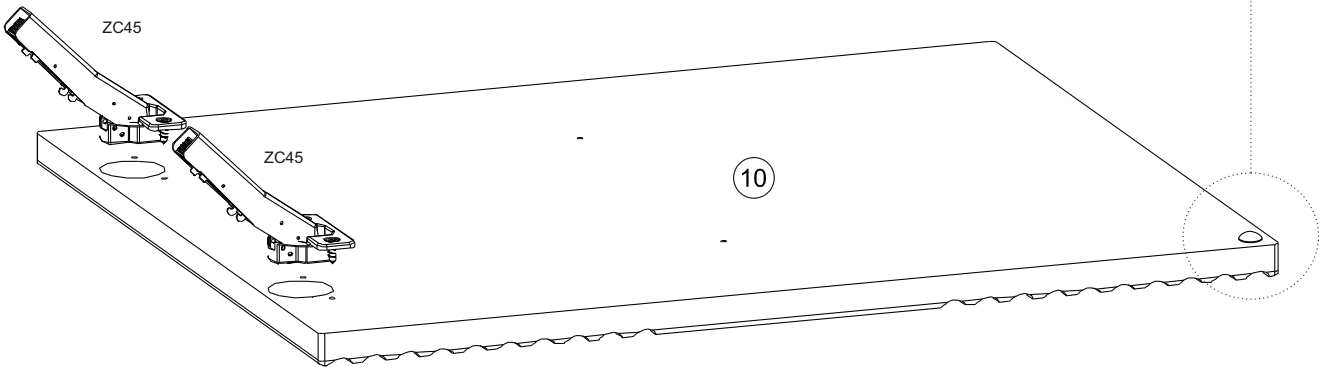
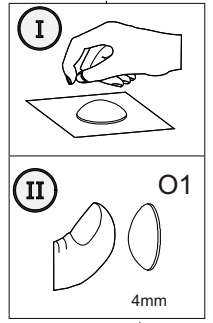
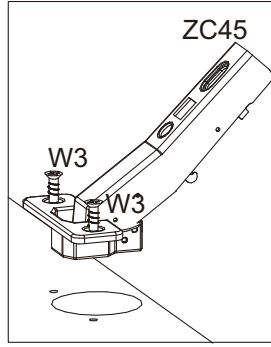
19 ▶



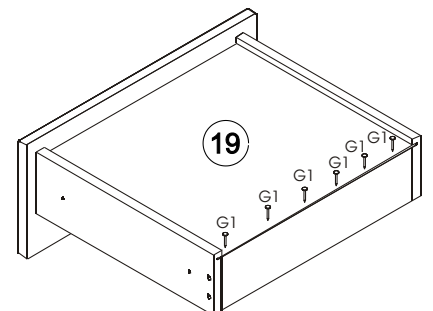
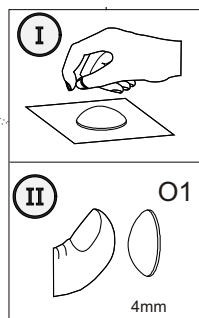
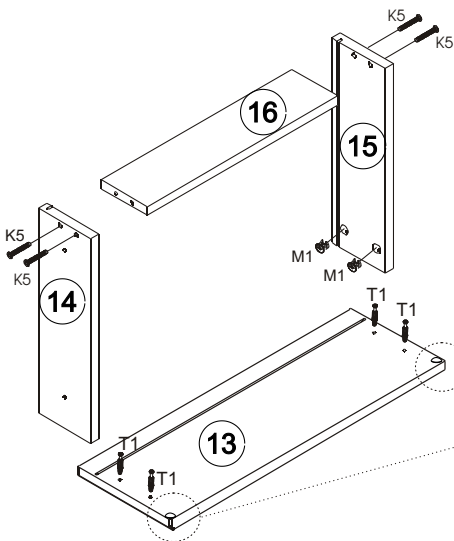
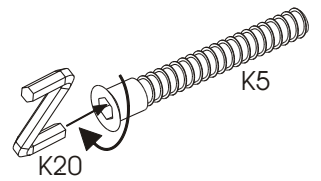
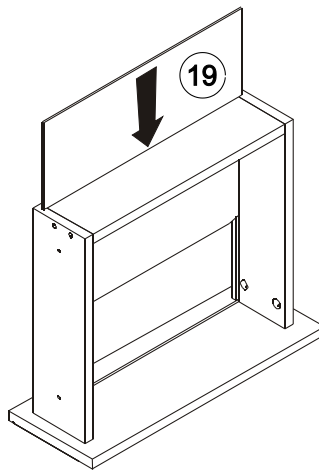
20 ▶



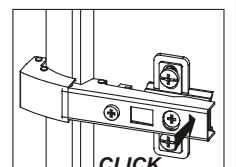
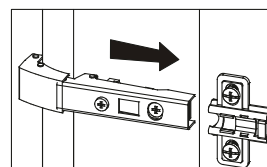
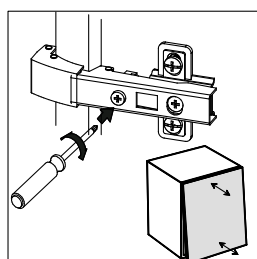
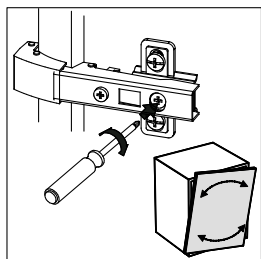
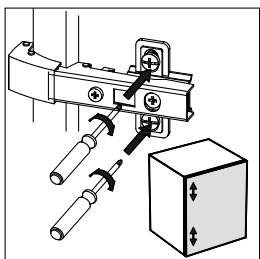
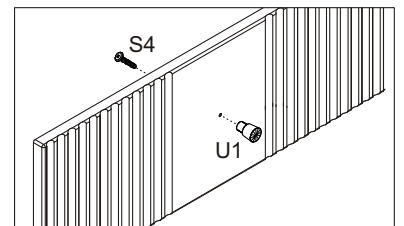
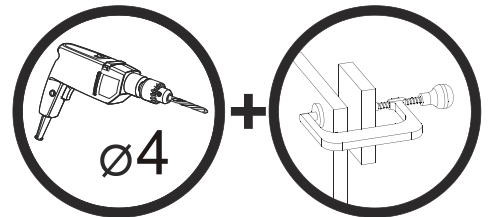
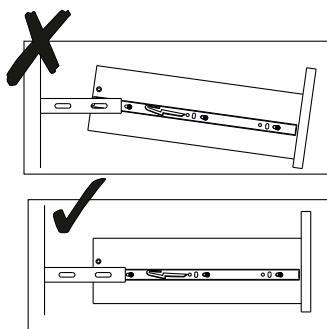
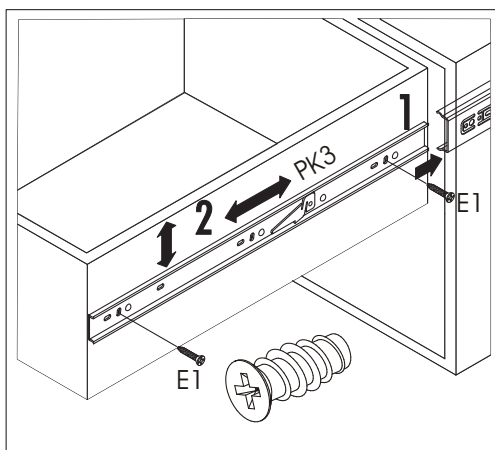
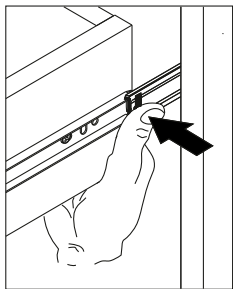
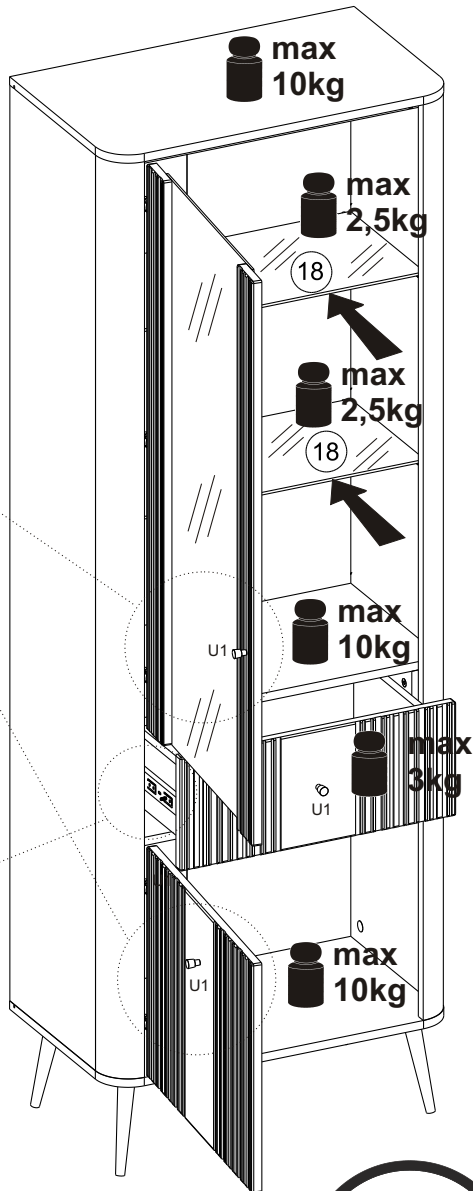
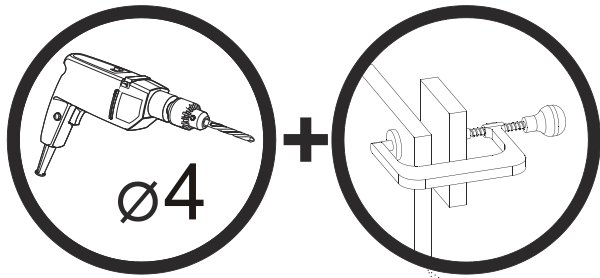
21▶



22▶



23 ▶



24

