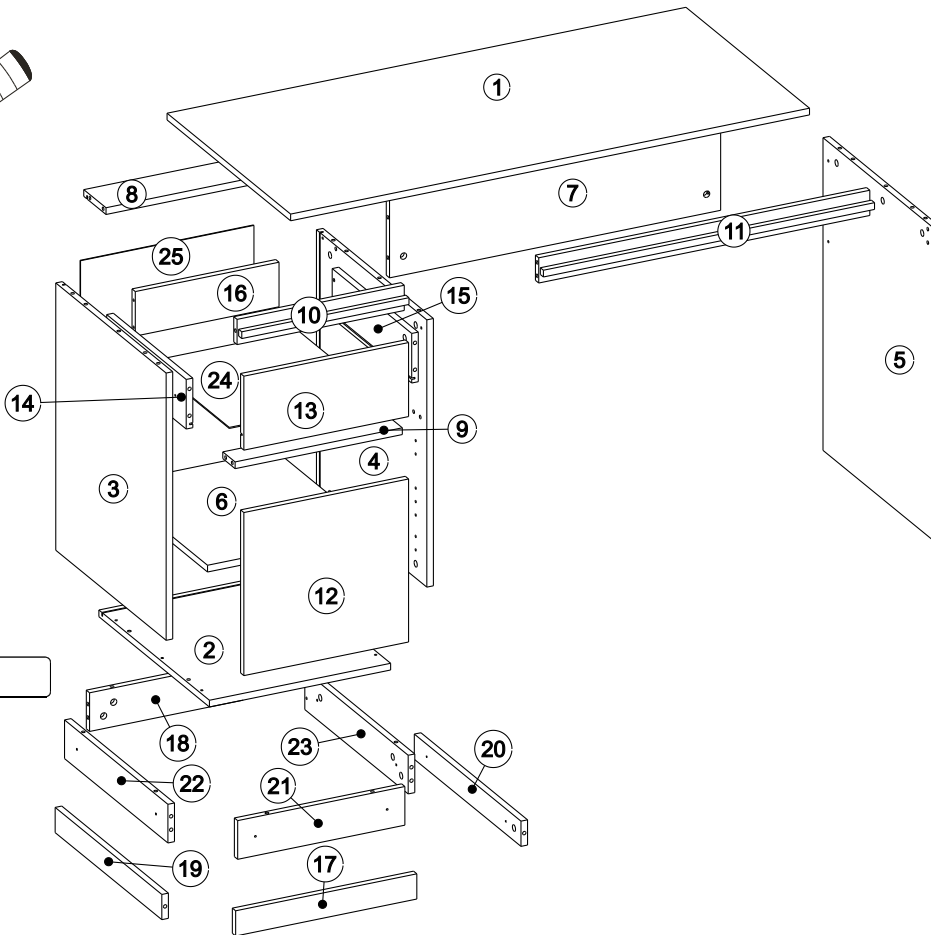
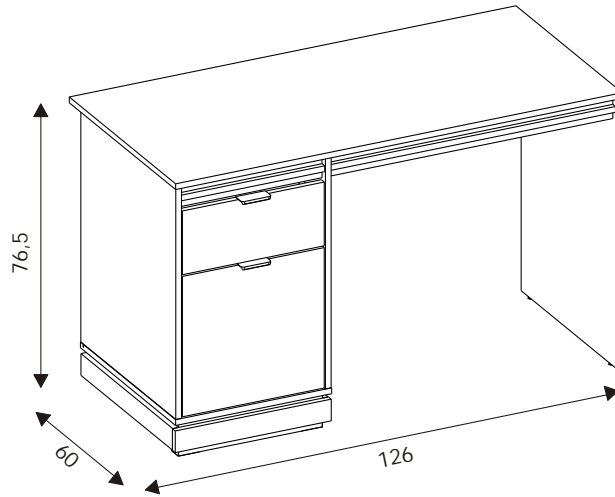
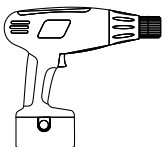
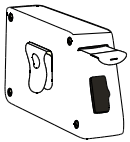
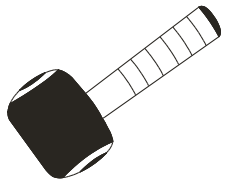
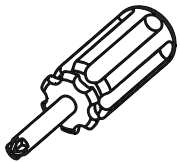
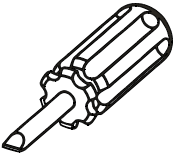
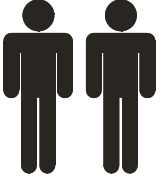
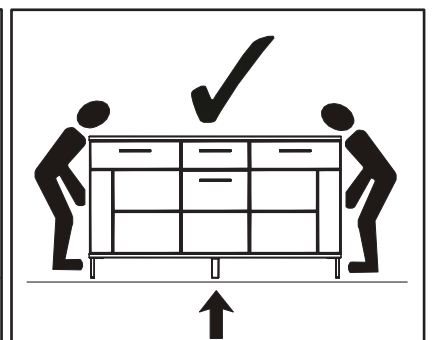
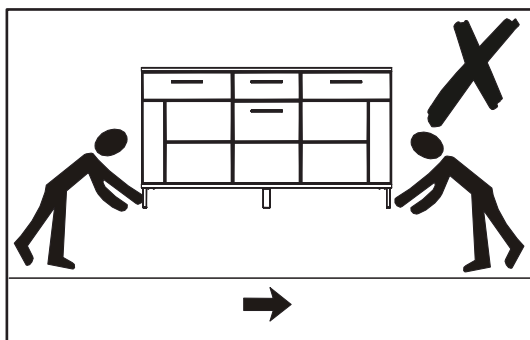
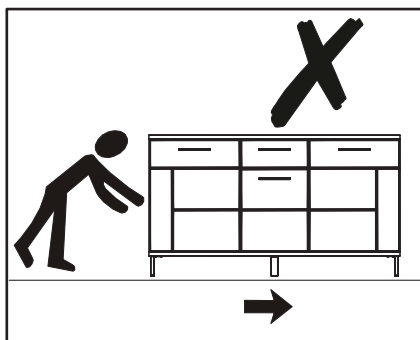
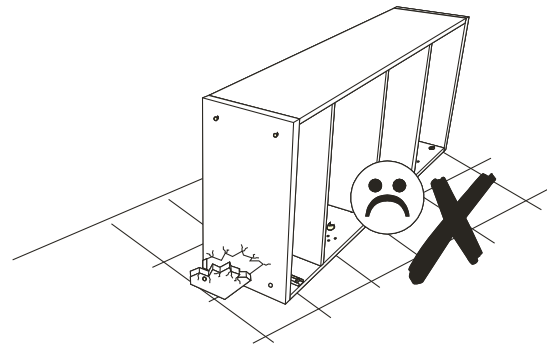
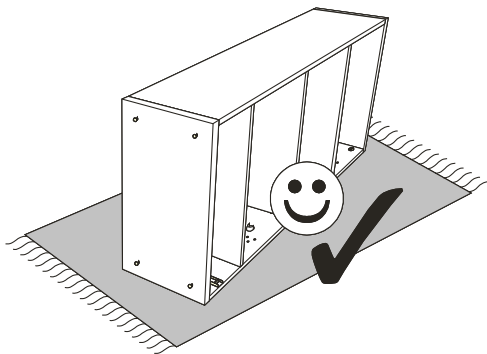
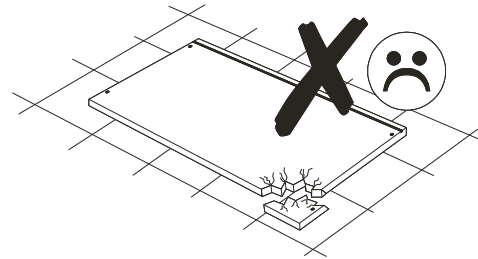
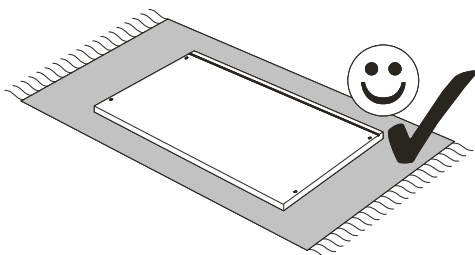
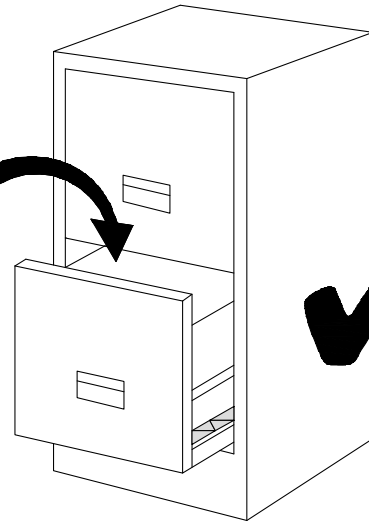
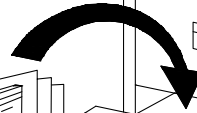
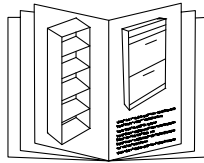
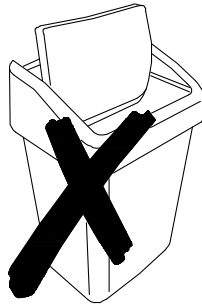
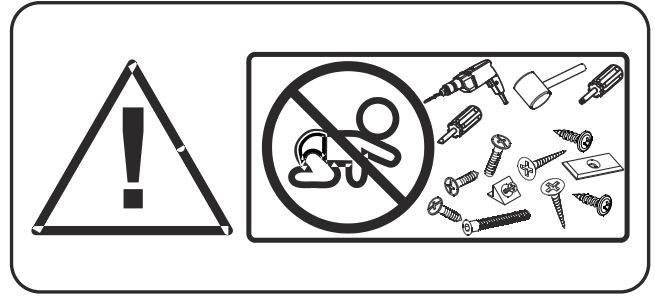


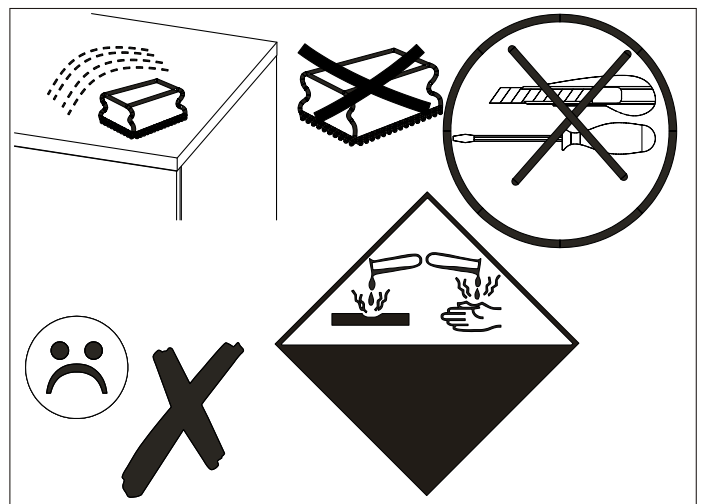
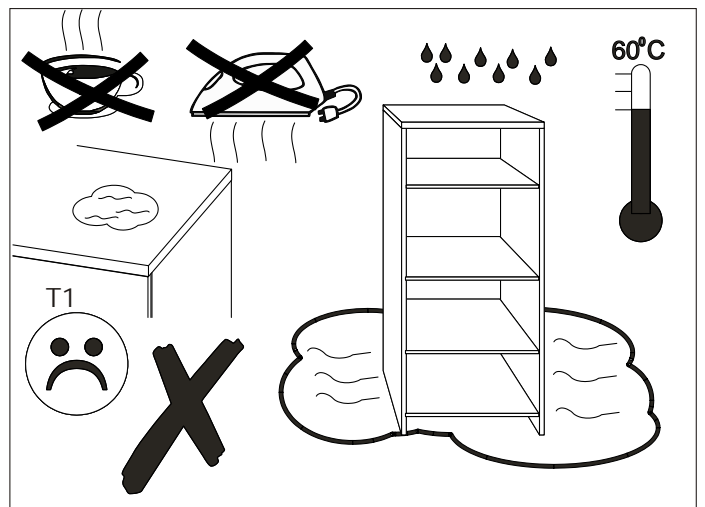
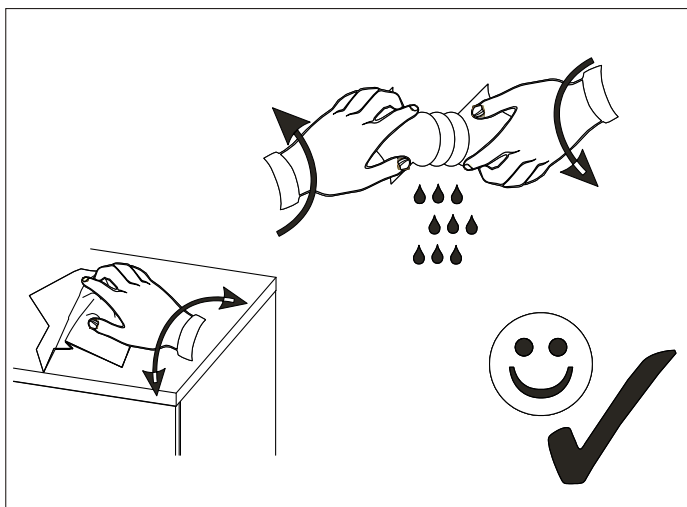
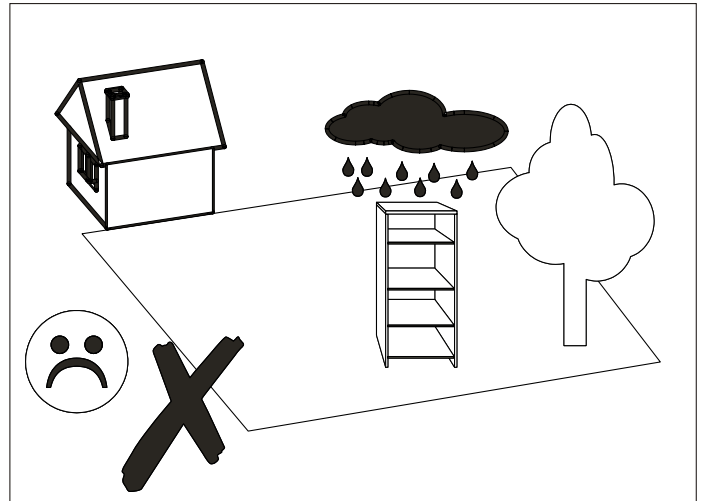
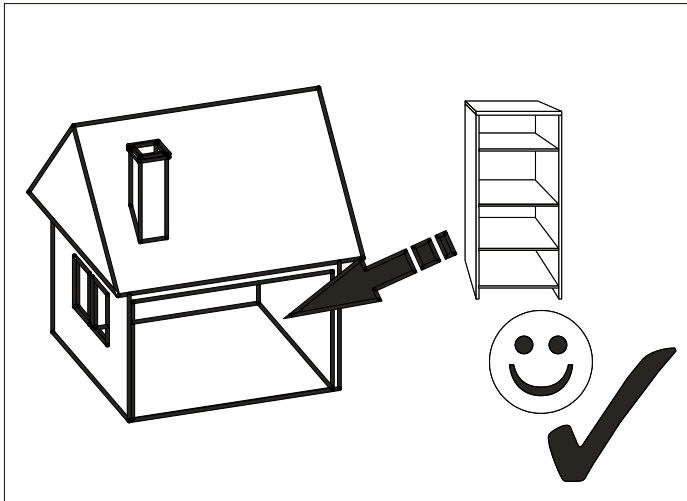
# MODEL: FE17

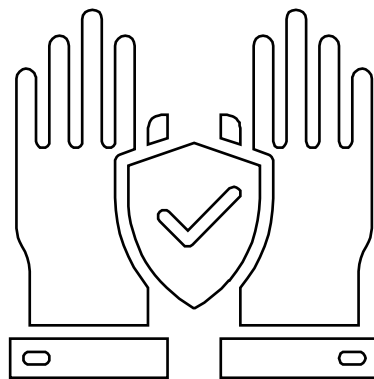
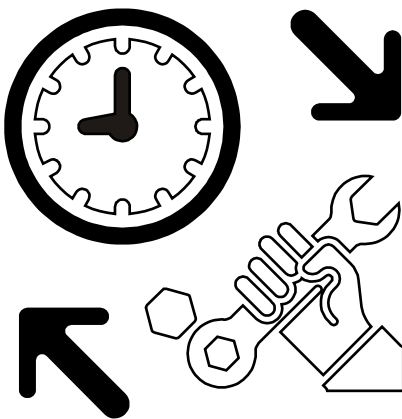
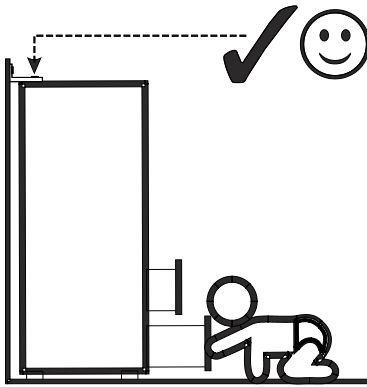
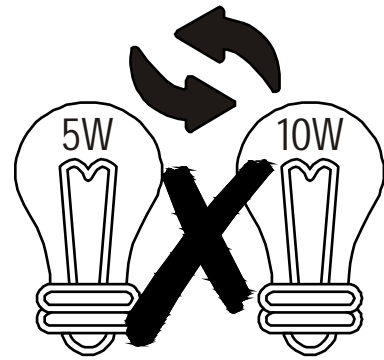
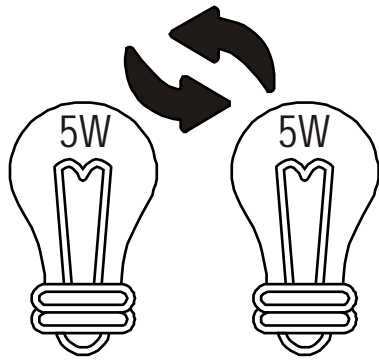
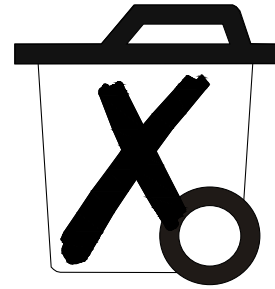
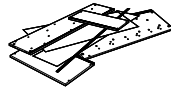
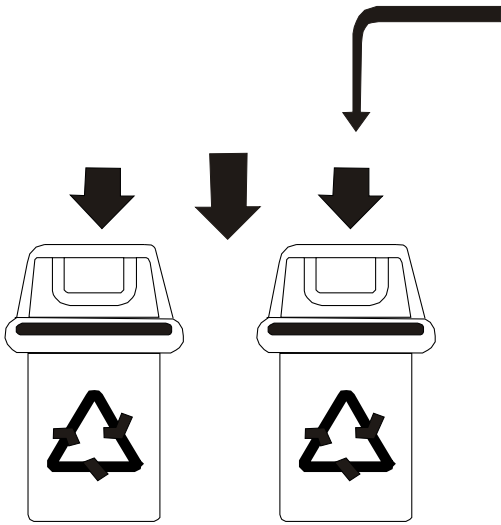
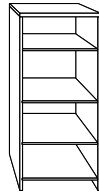


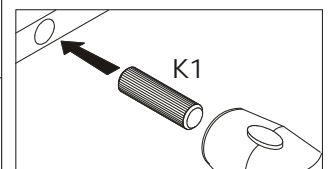
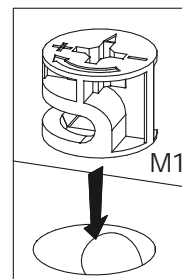
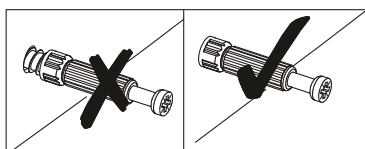
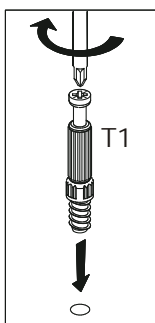
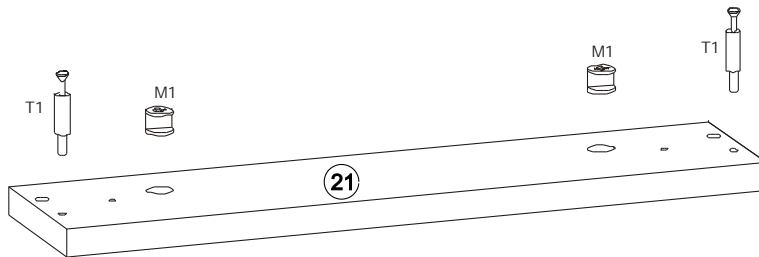
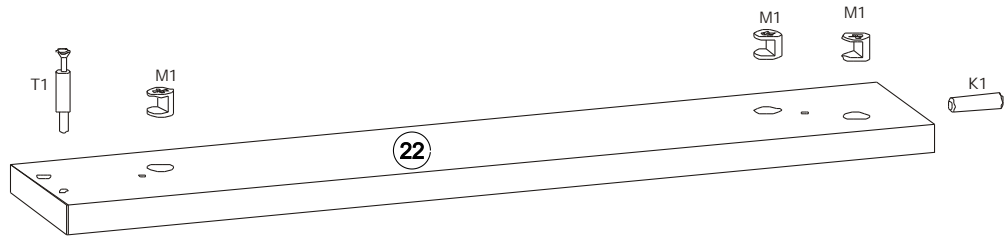
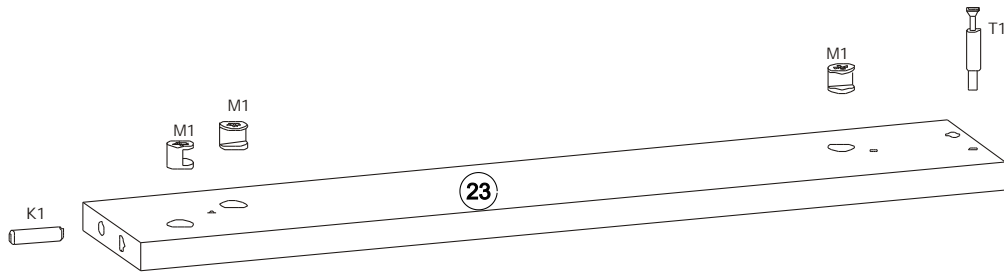
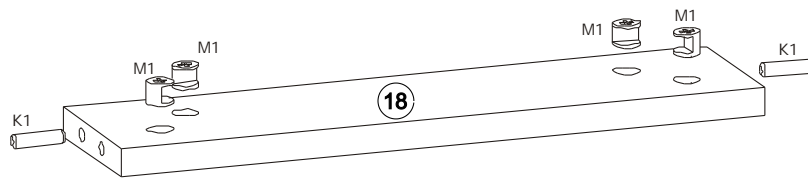
25	634x421	2/2
24	392x364	2/2
23	502x92	2/2
22	502x92	2/2
21	406x92	2/2
20	518x60	2/2
19	518x60	2/2
18	373x92	2/2
17	440x60	2/2
16	349x106	1/2
15	386x118	1/2
14	386x118	1/2
13	176x400	1/2
12	388x400	1/2
11	804x60	1/2
10	406x60	1/2
9	406x60	2/2
8	406x108	1/2
7	804x282	1/2
6	405x480	1/2
5	744x536	1/2
4	636x536	1/2
3	636x536	1/2
2	440x537	1/2
1	1260x600	1/2

17x #20/863 ZN1	4x 3.5x16 W3	6x ST1	4x 6.4x50 K5	4x B1	6x 3x20 W9	2x ZC90	1 kpl. #350 PK3	
6x 4x30 W4	26x 8x30 K1	1x K20	6x N1	41x #15/15 M1	41x DU232T T1	8x 5x11 E1	4x 2x20 G1	2x U 1

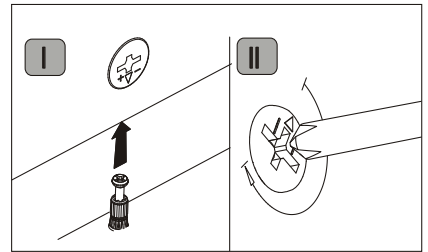
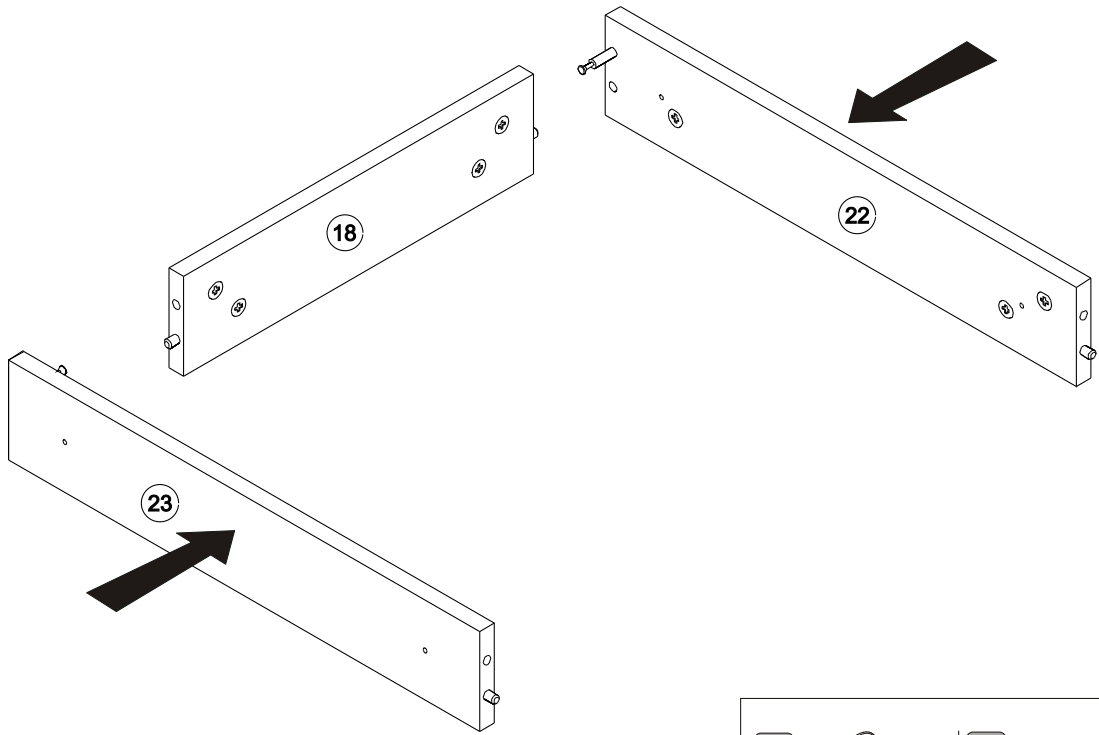




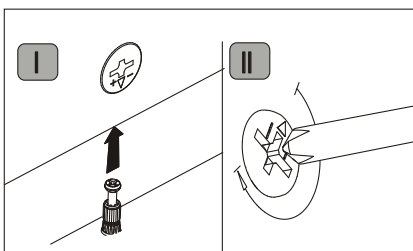
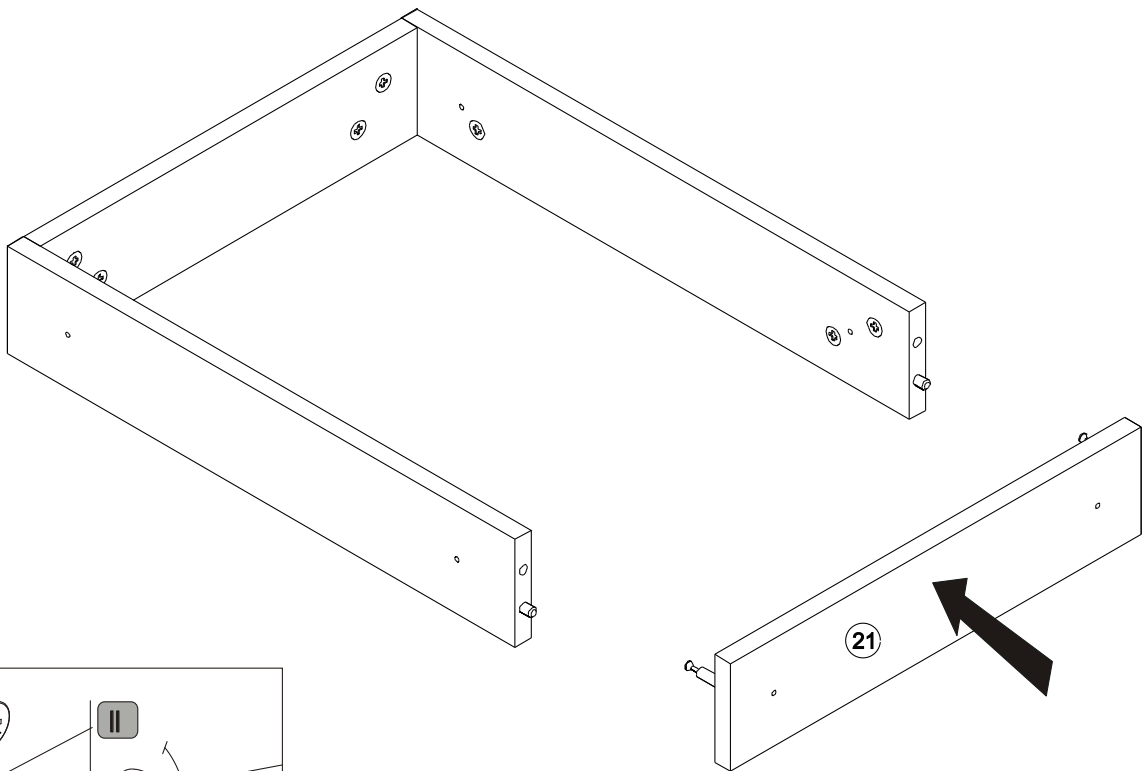




2 ▶

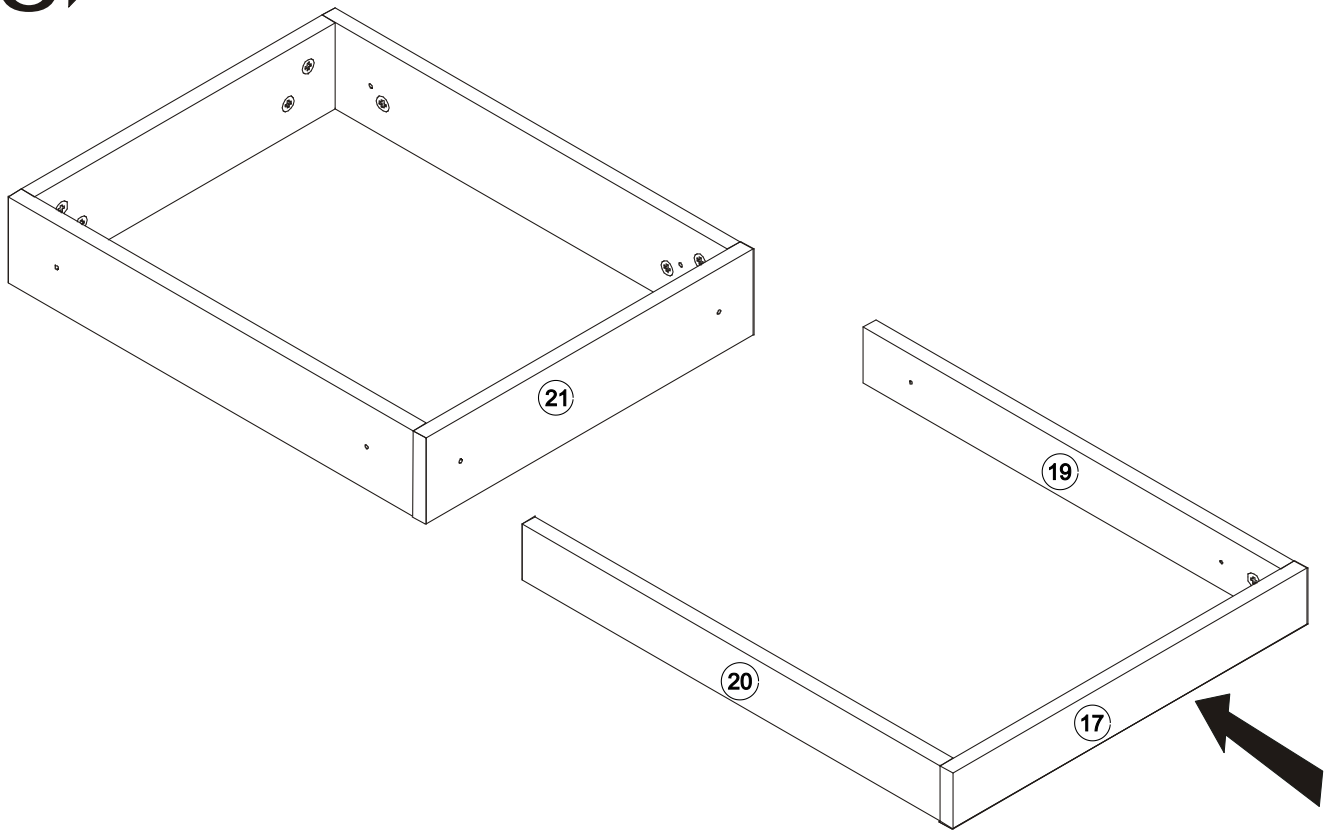


3 ▶

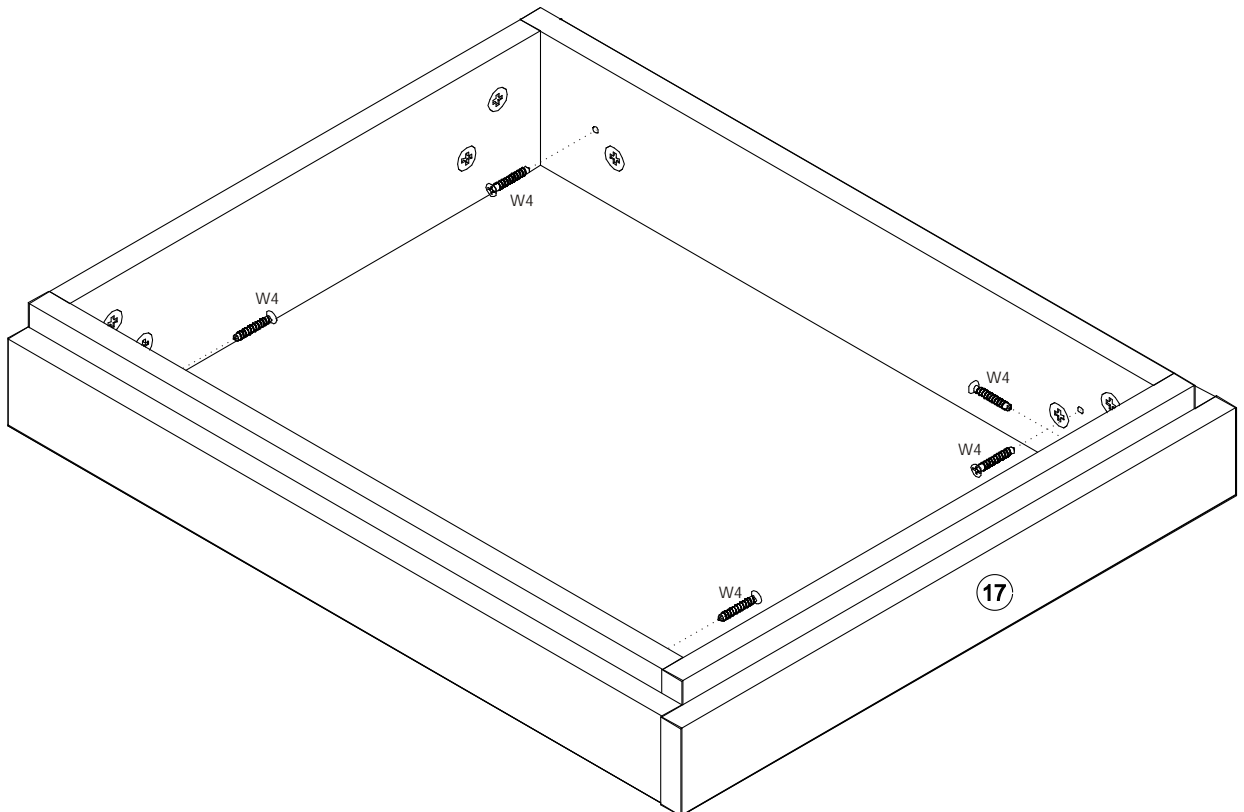




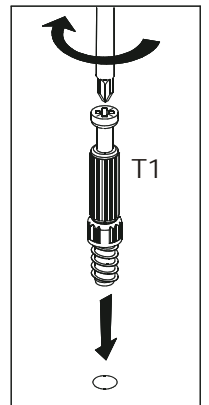
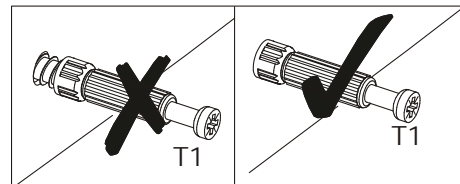
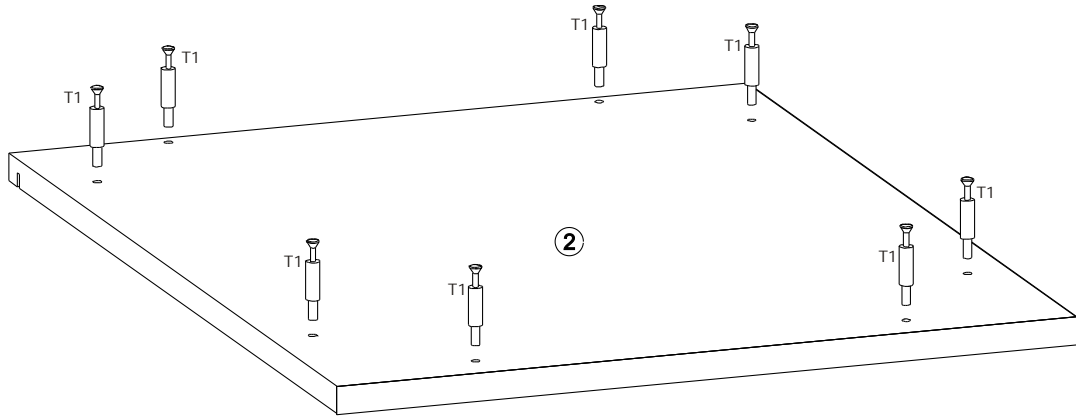
8 ▶



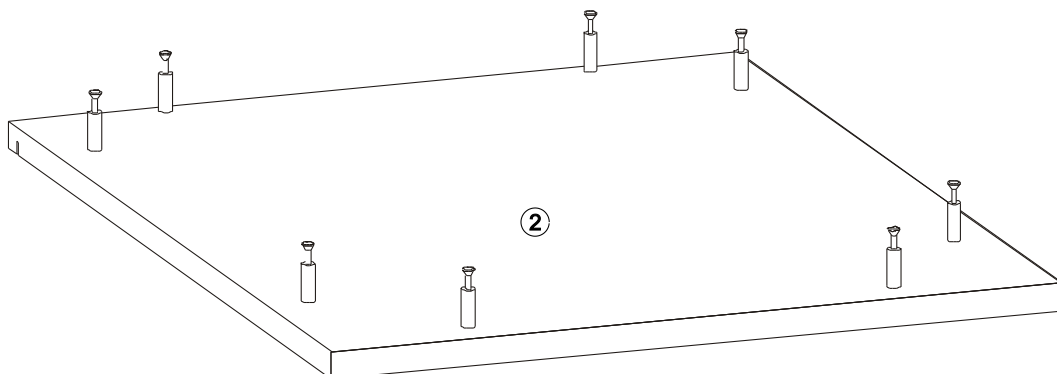
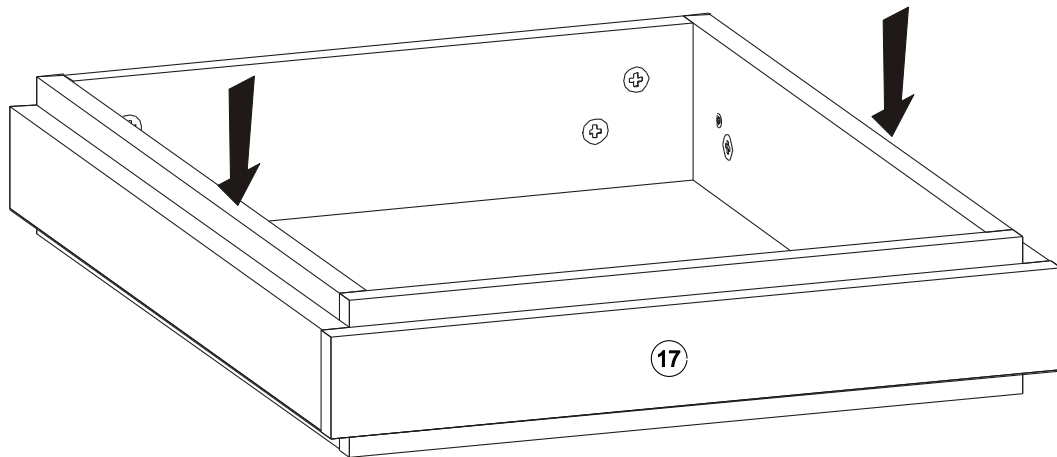
9 ▶



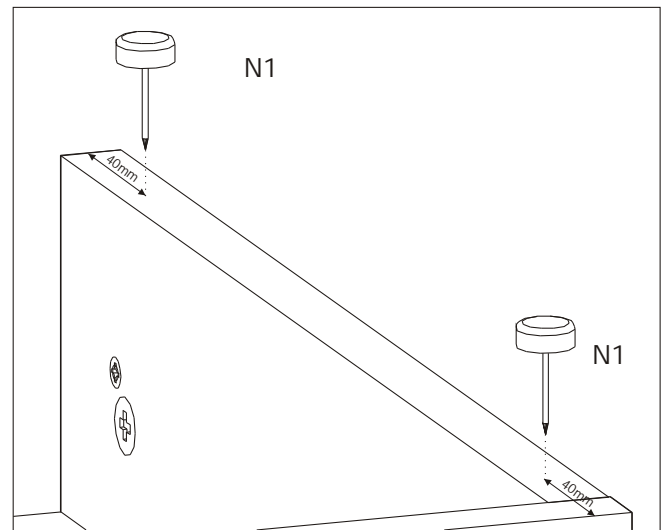
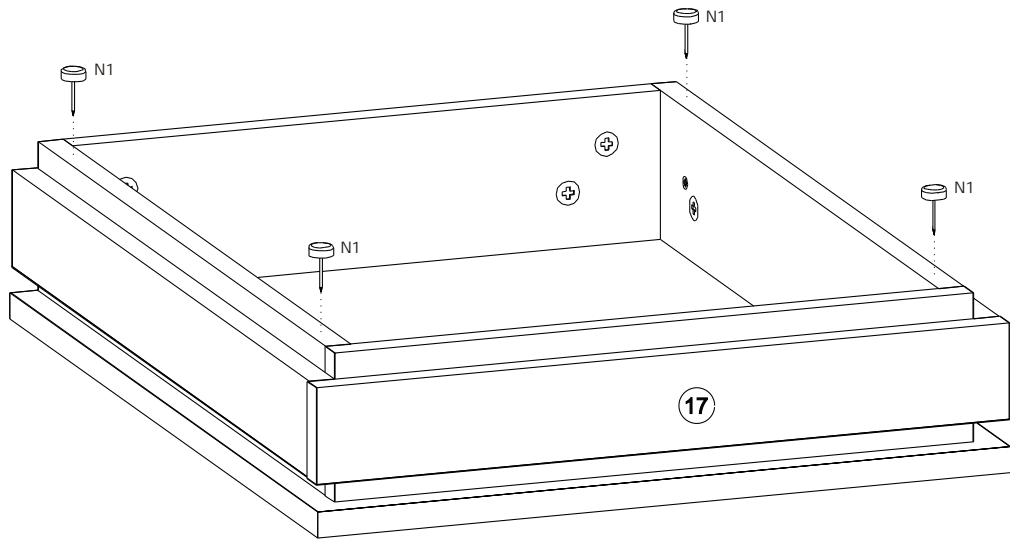
# 10▶



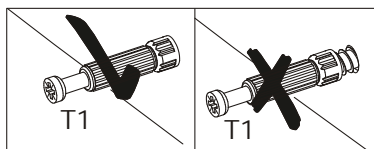
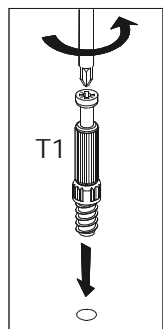
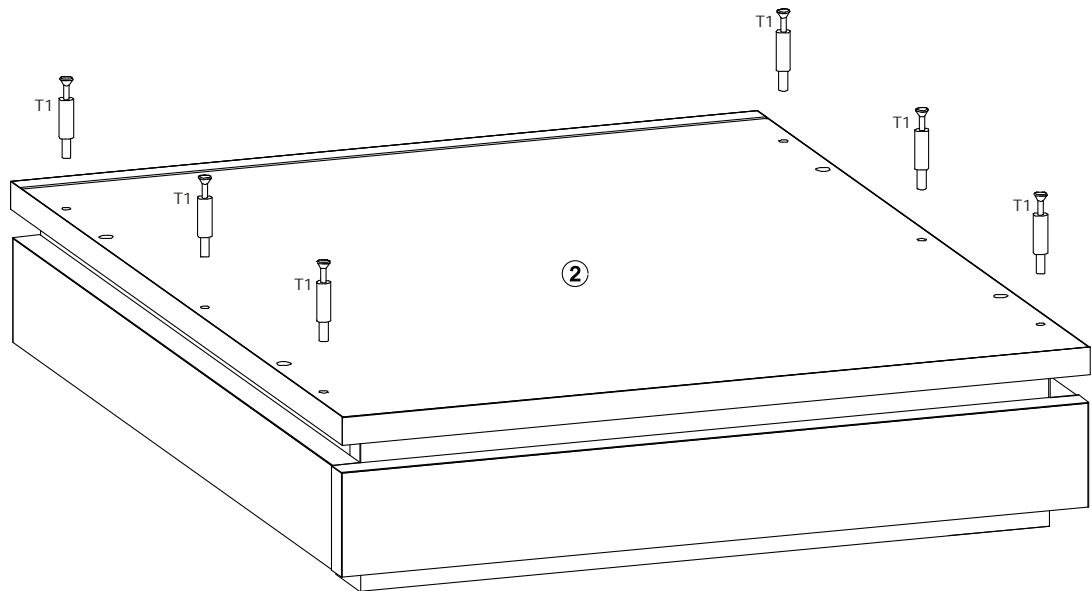
# 11▶



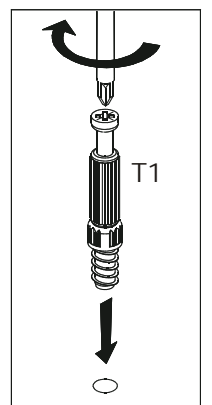
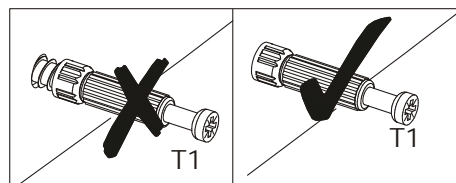
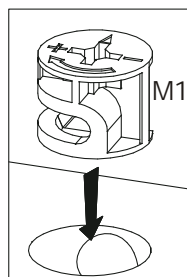
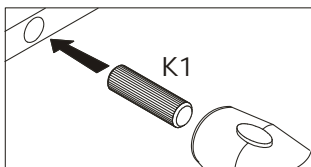
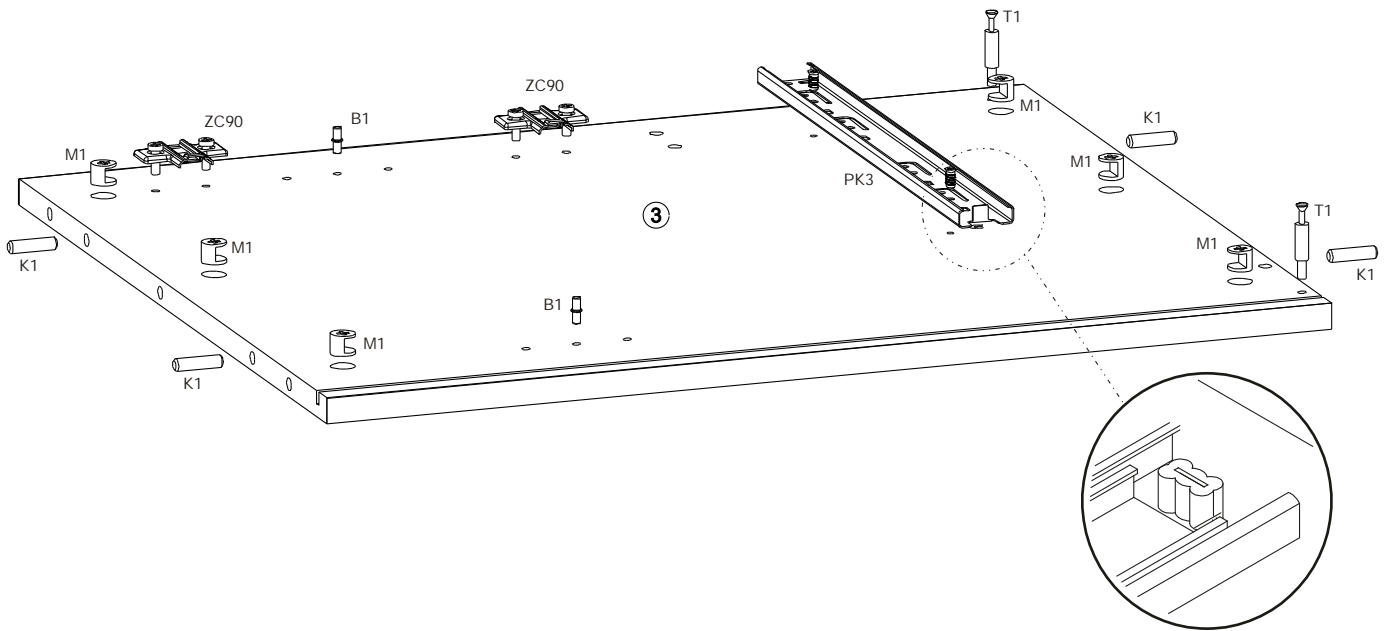
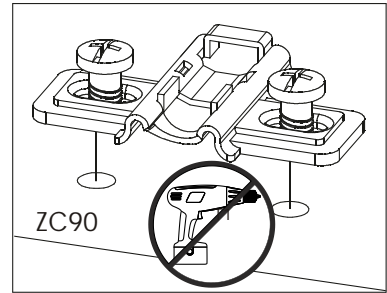
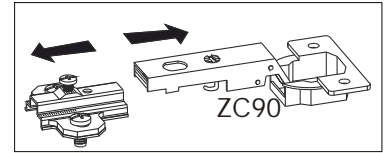
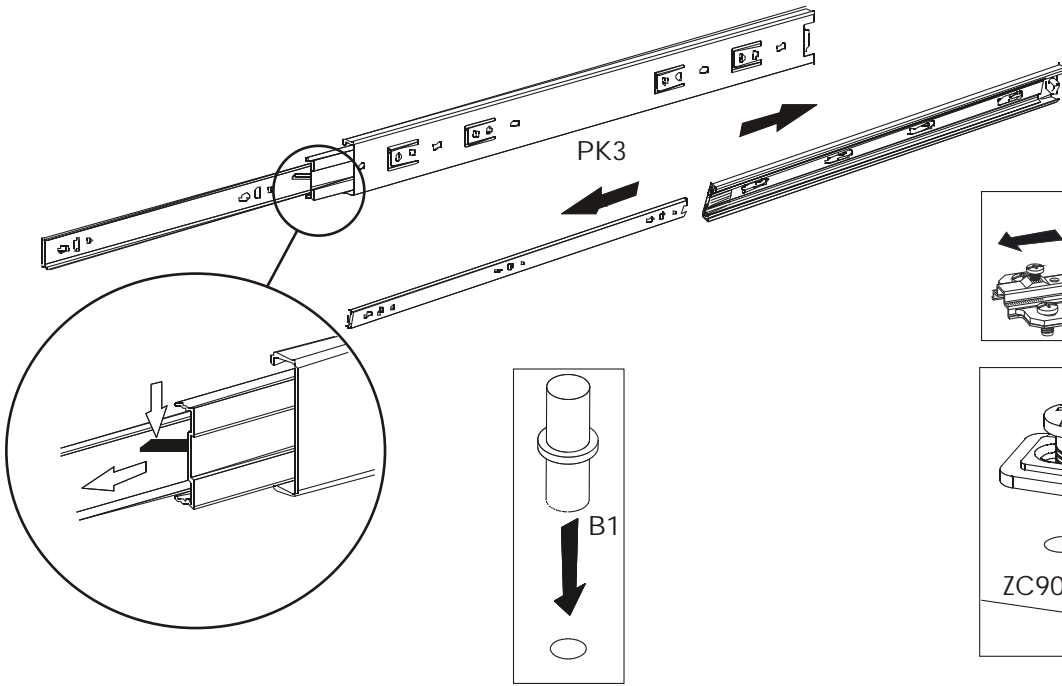
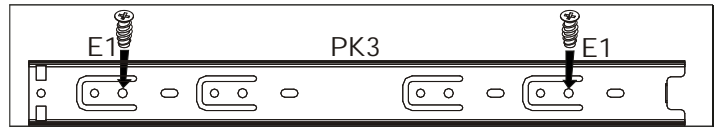
12▶



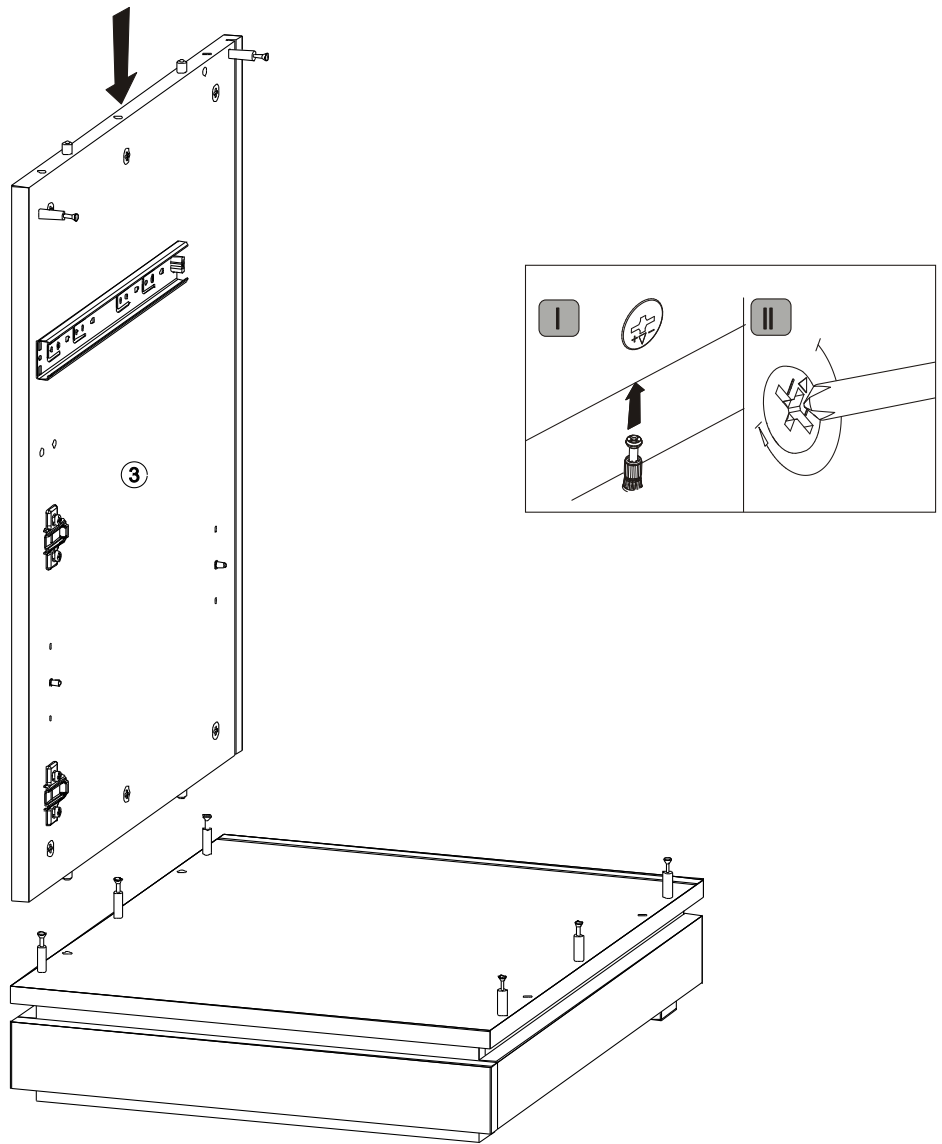
13▶



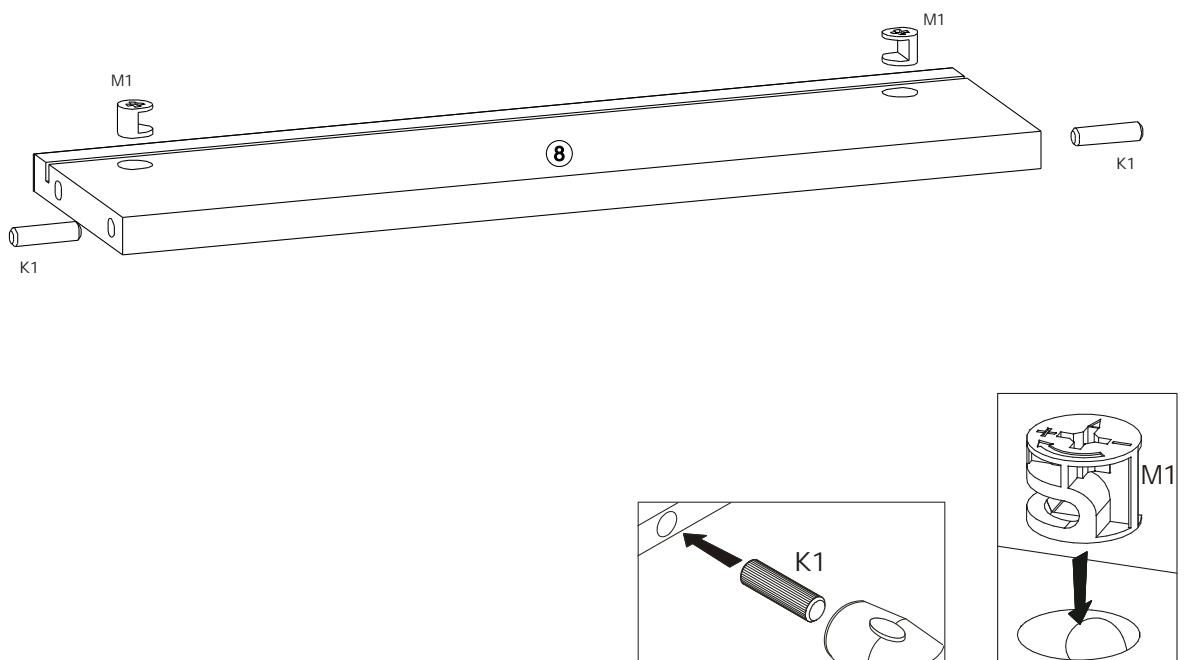
# 14



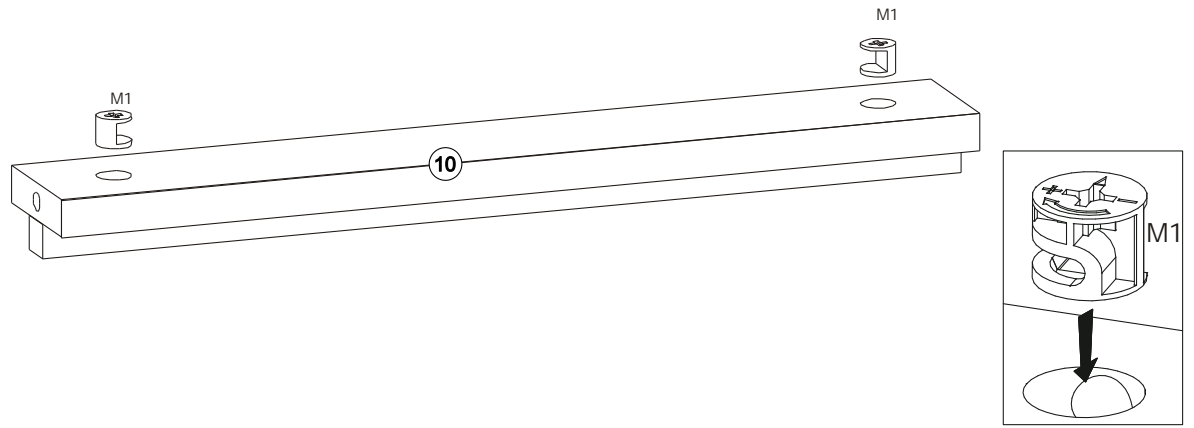
15▶



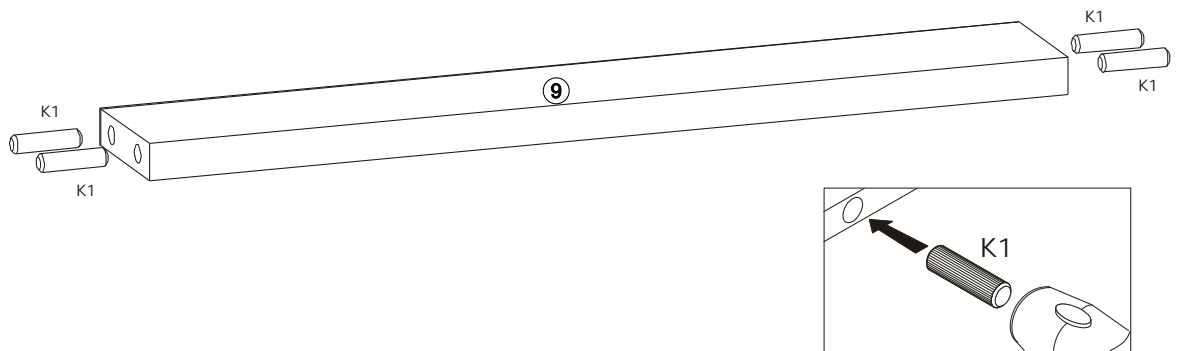
16▶



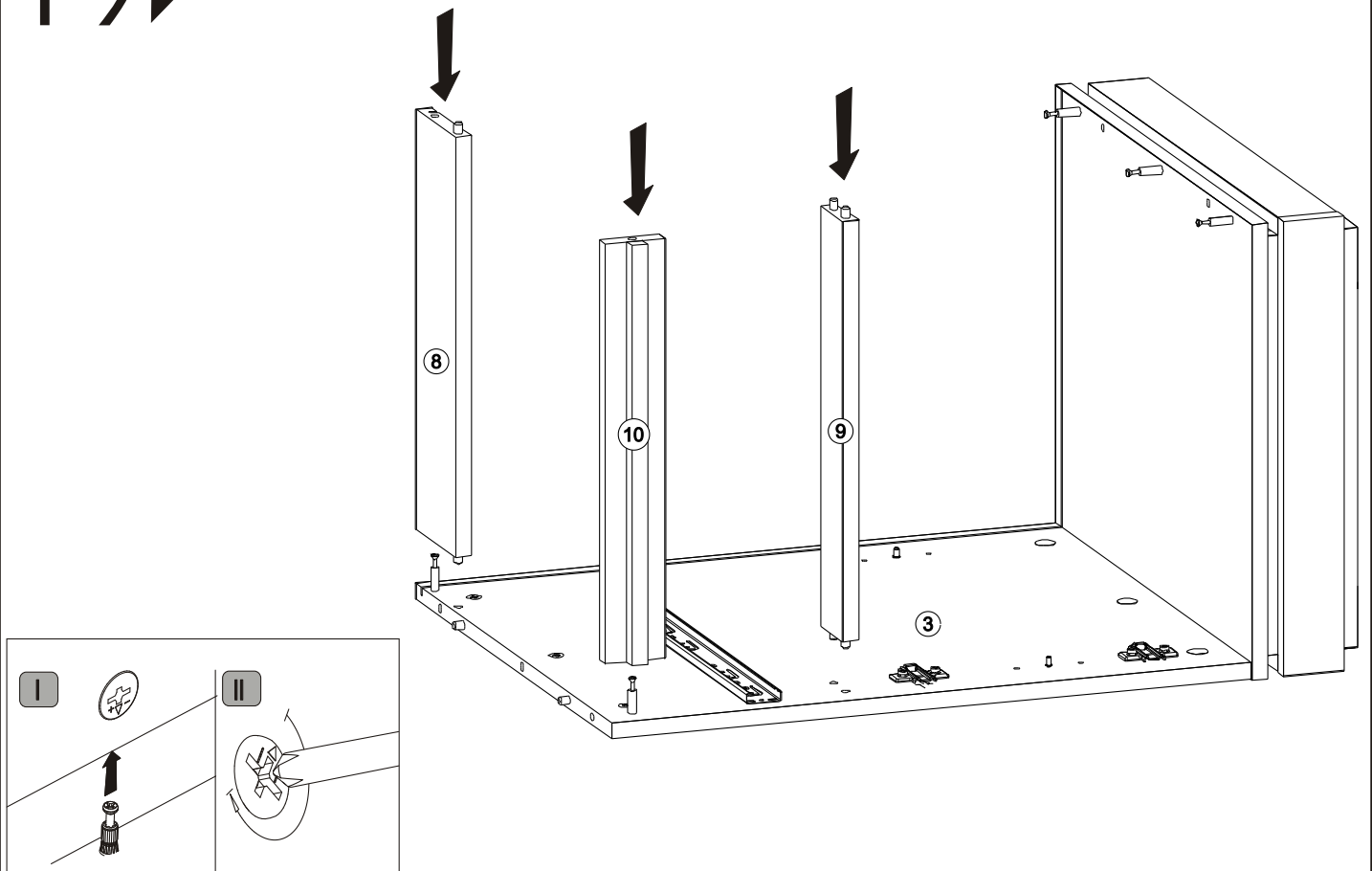
# 17▶



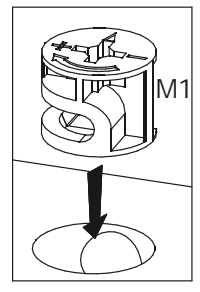
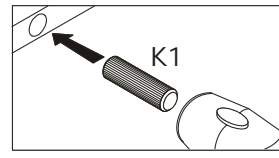
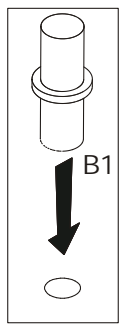
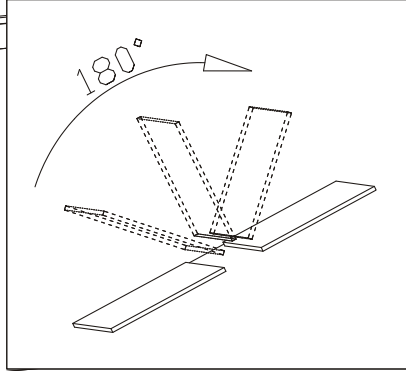
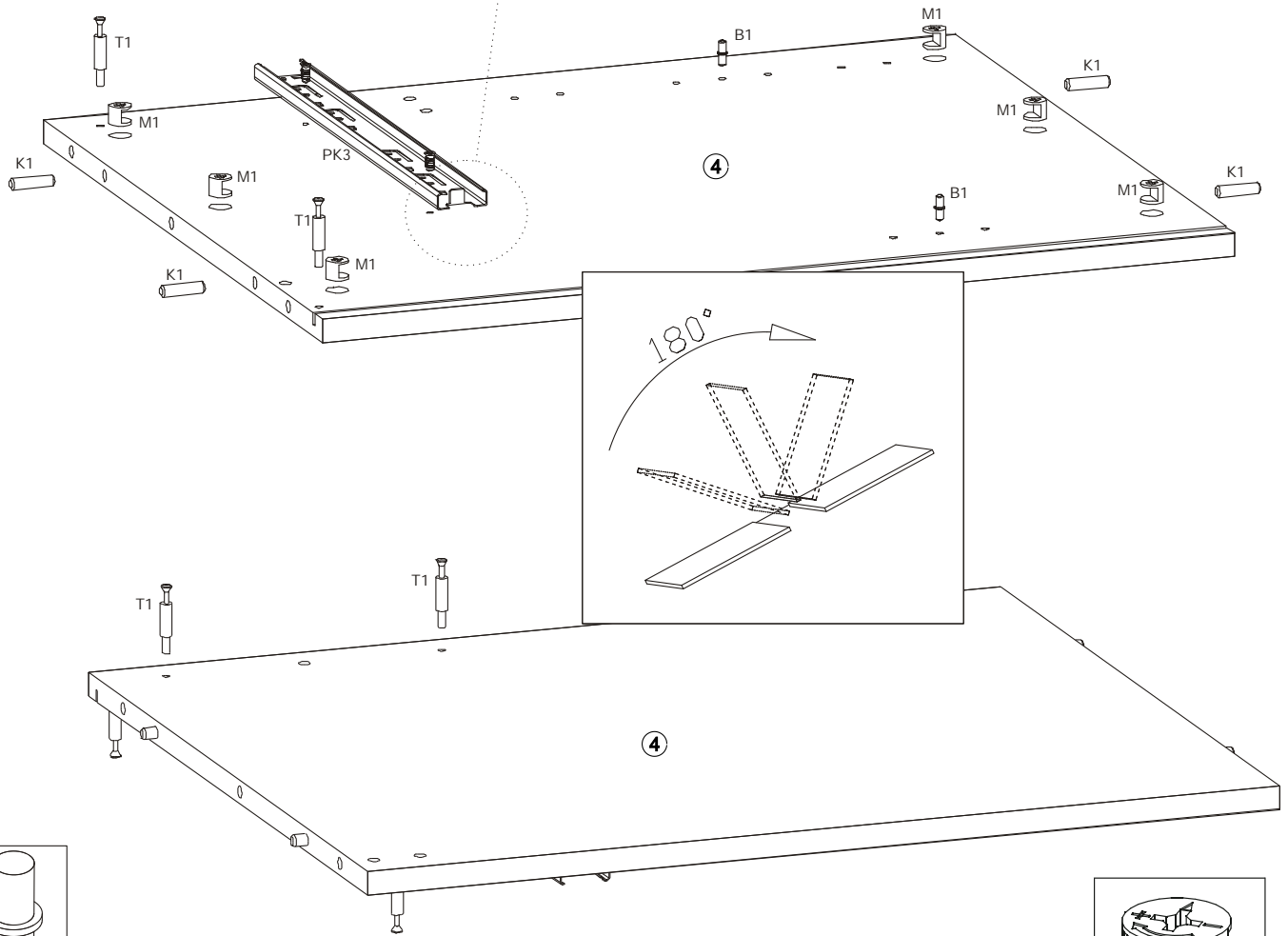
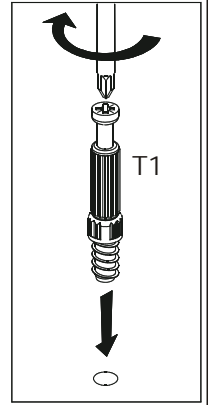
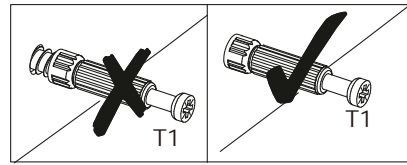
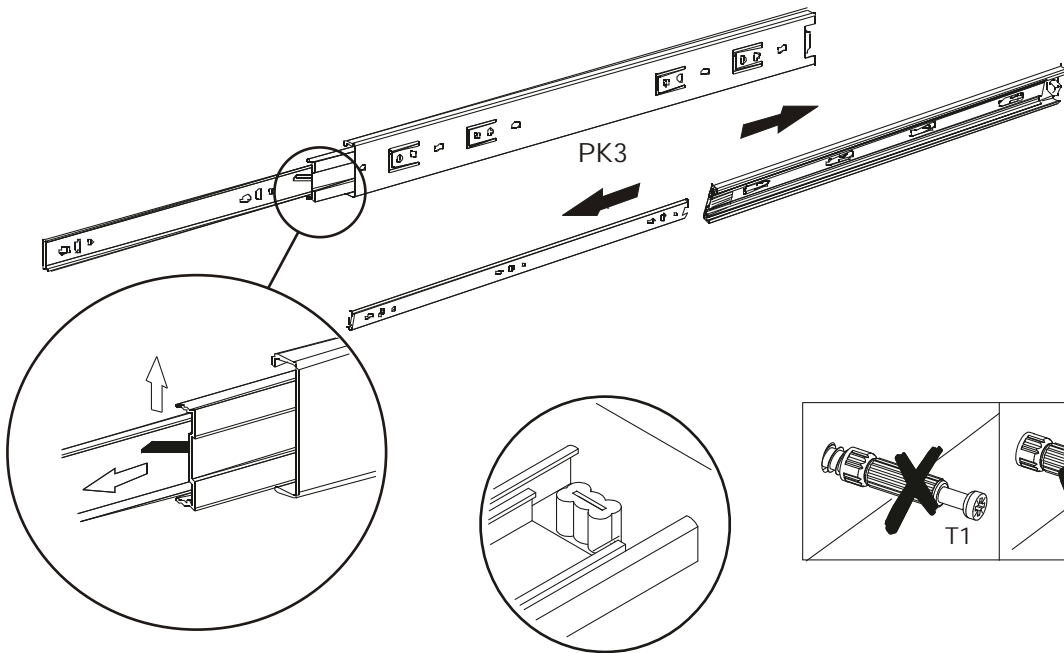
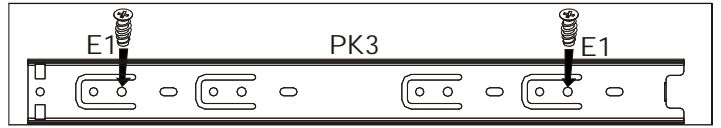
# 18▶



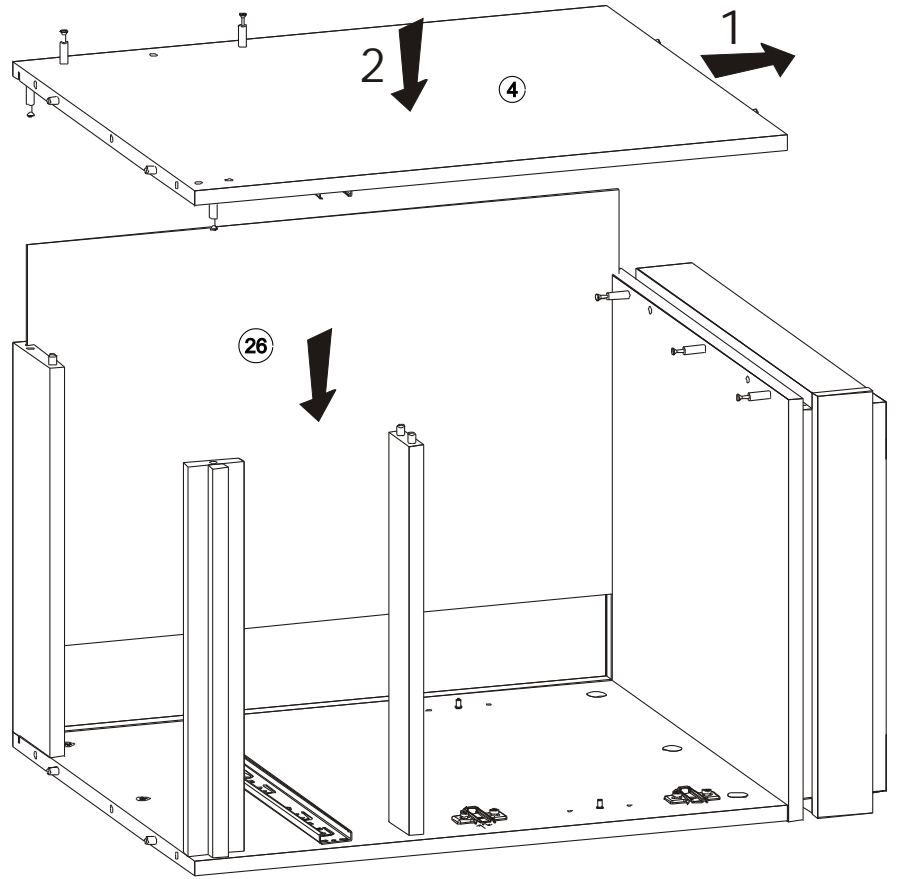
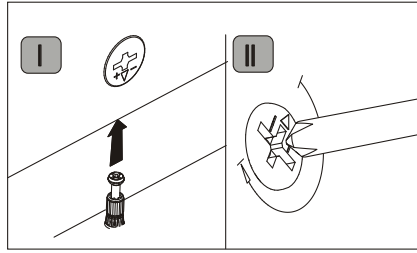
# 19▶



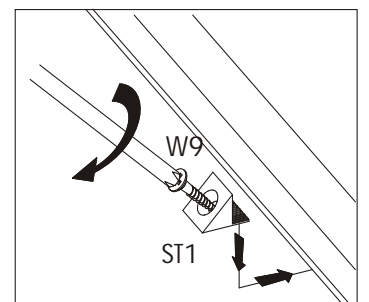
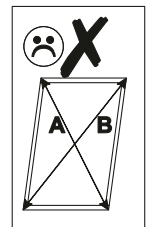
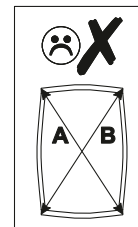
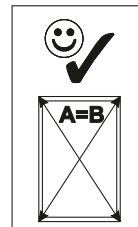
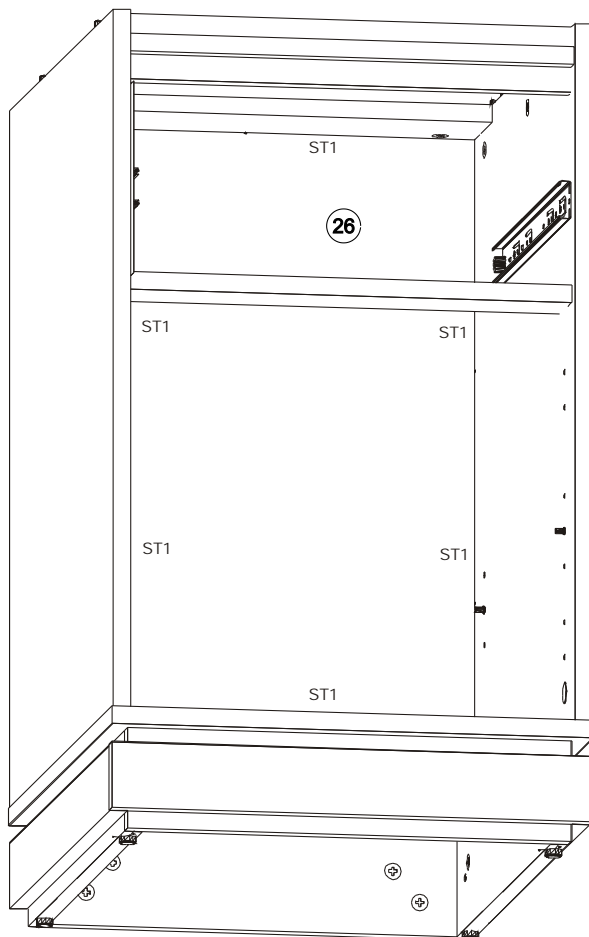
# 20 ▶



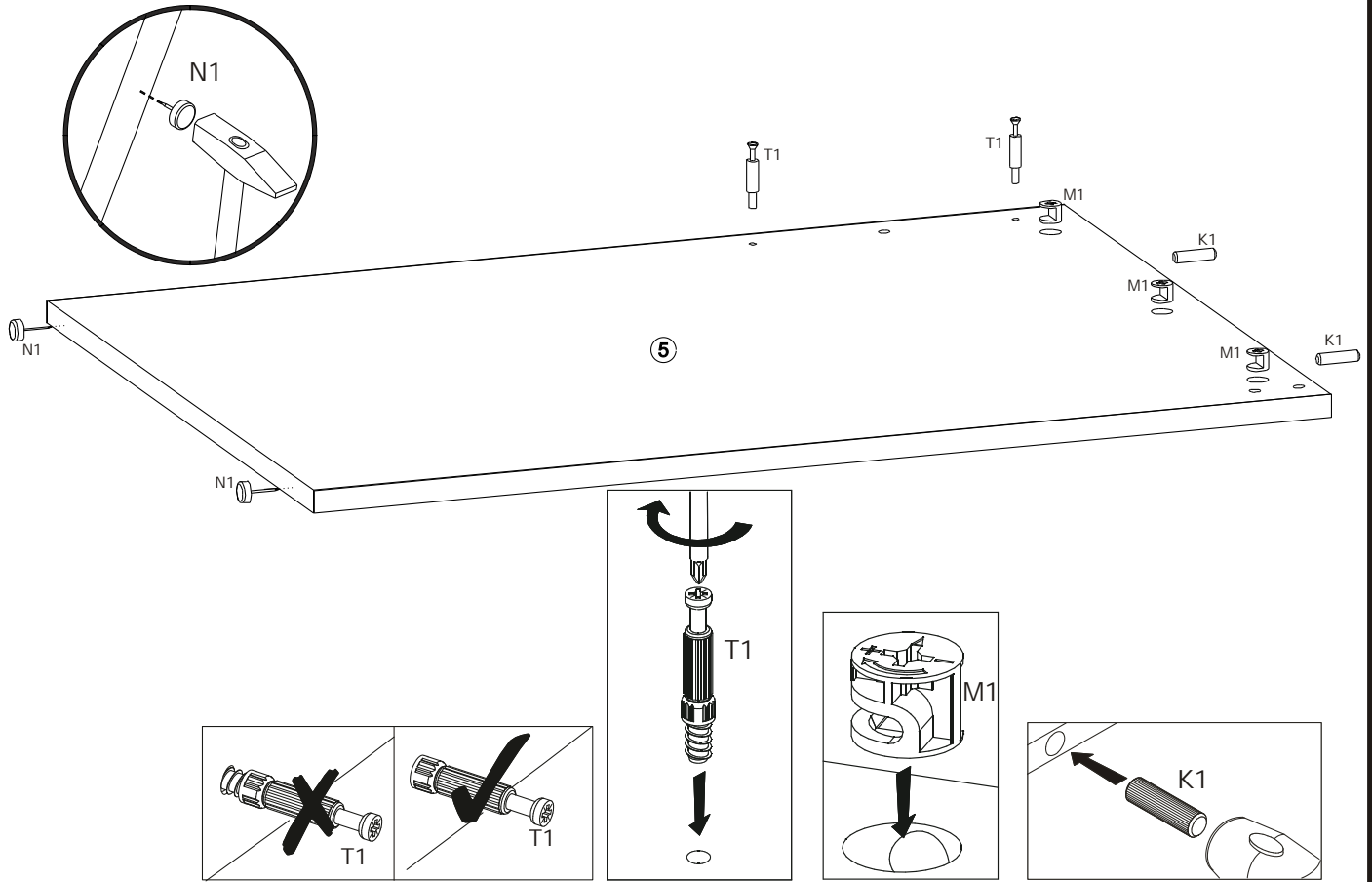
# 21 ▶



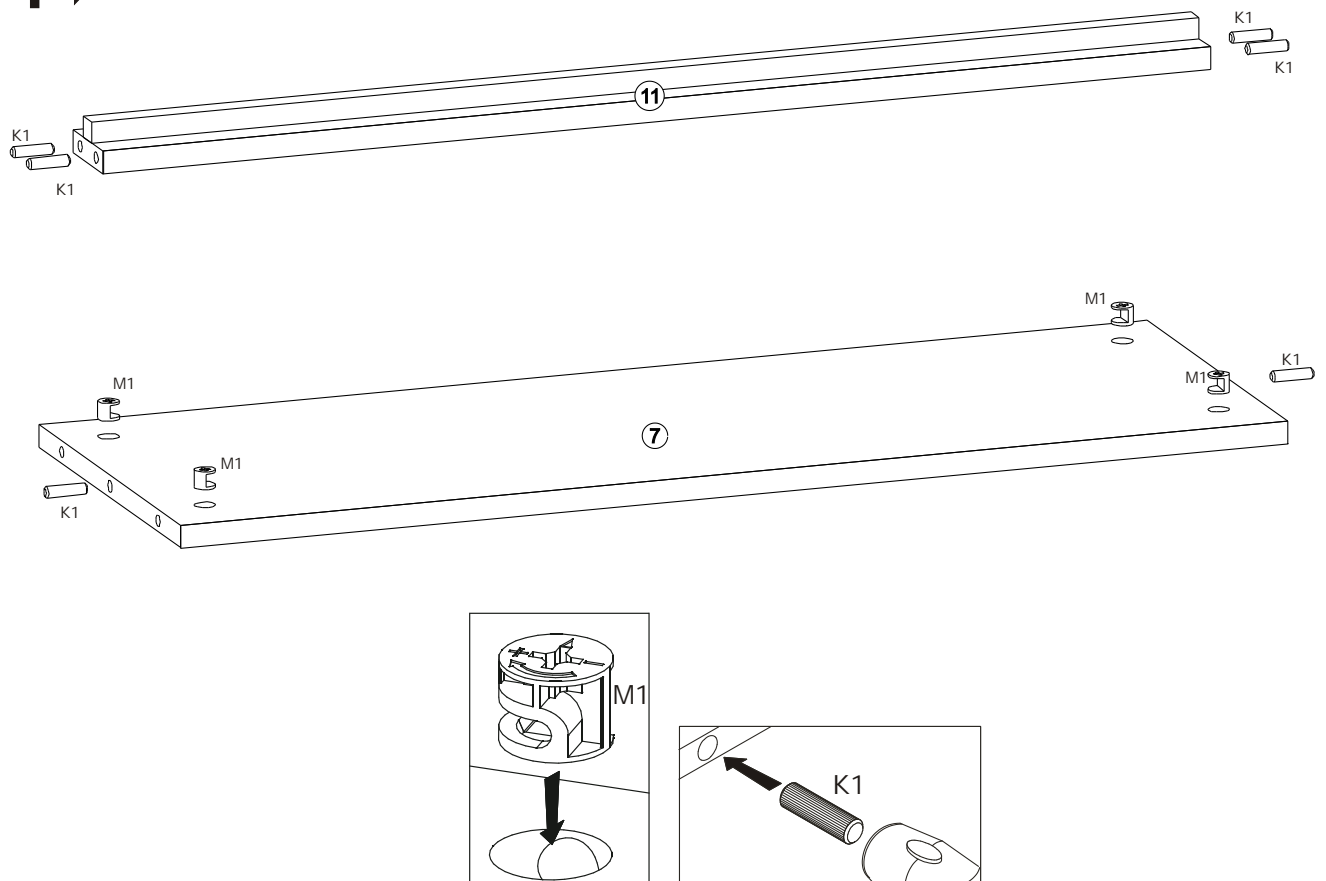
# 22 ▶



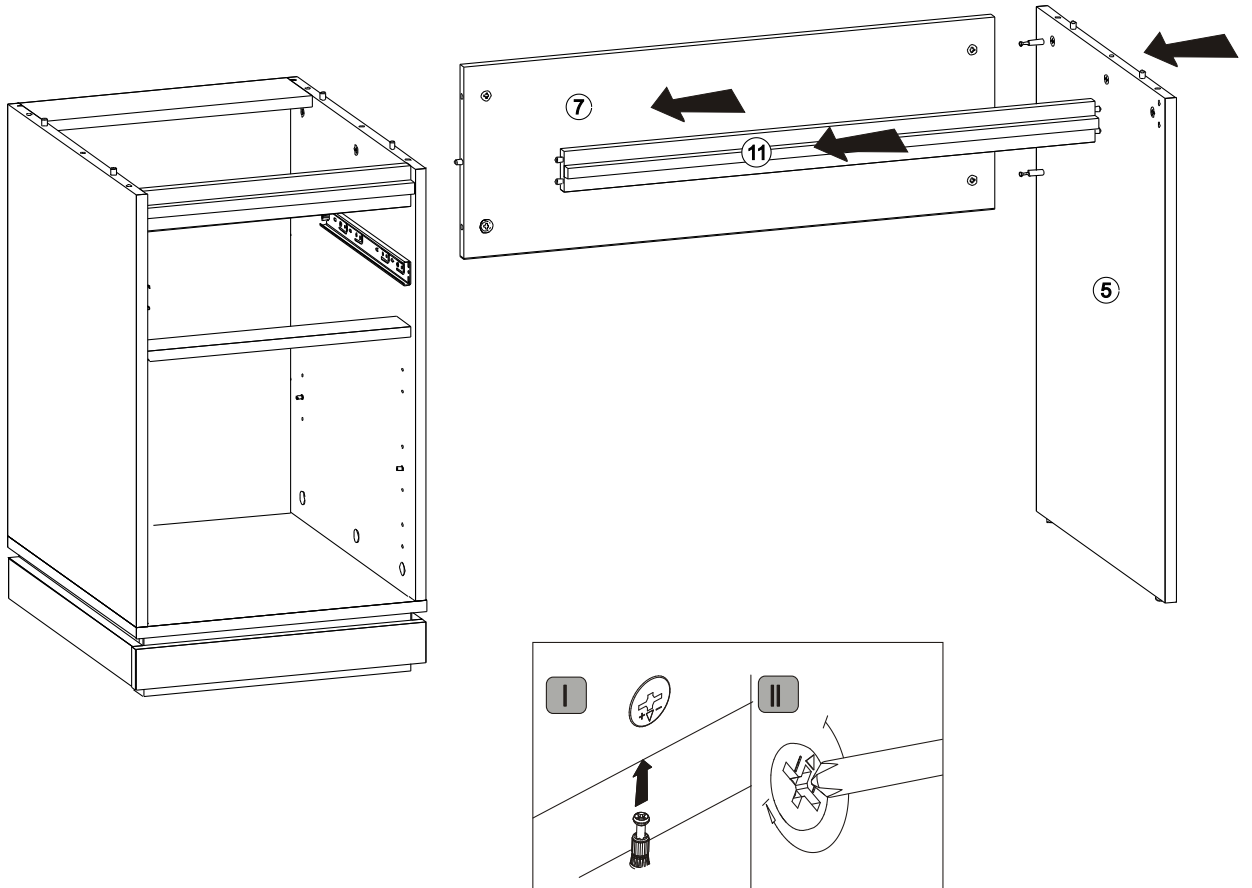
# 23 ▶



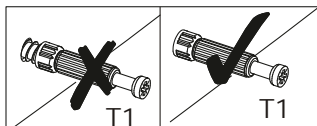
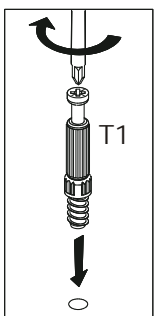
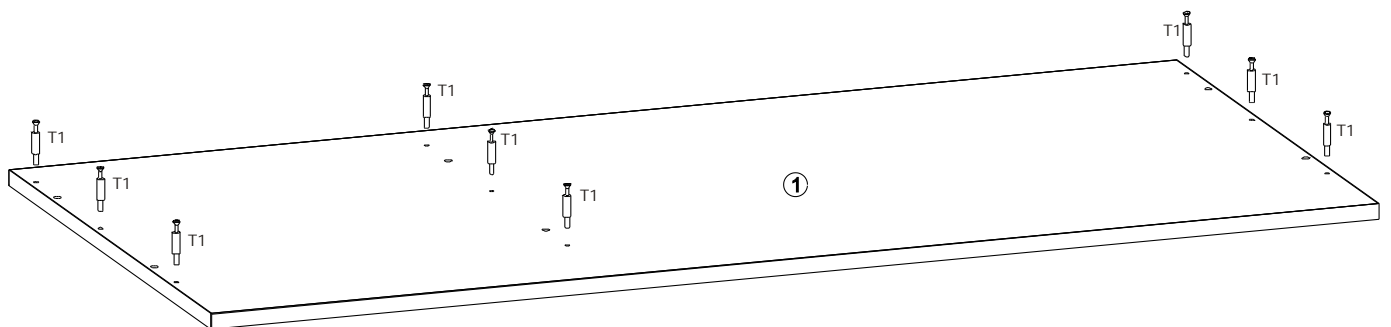
# 24 ▶



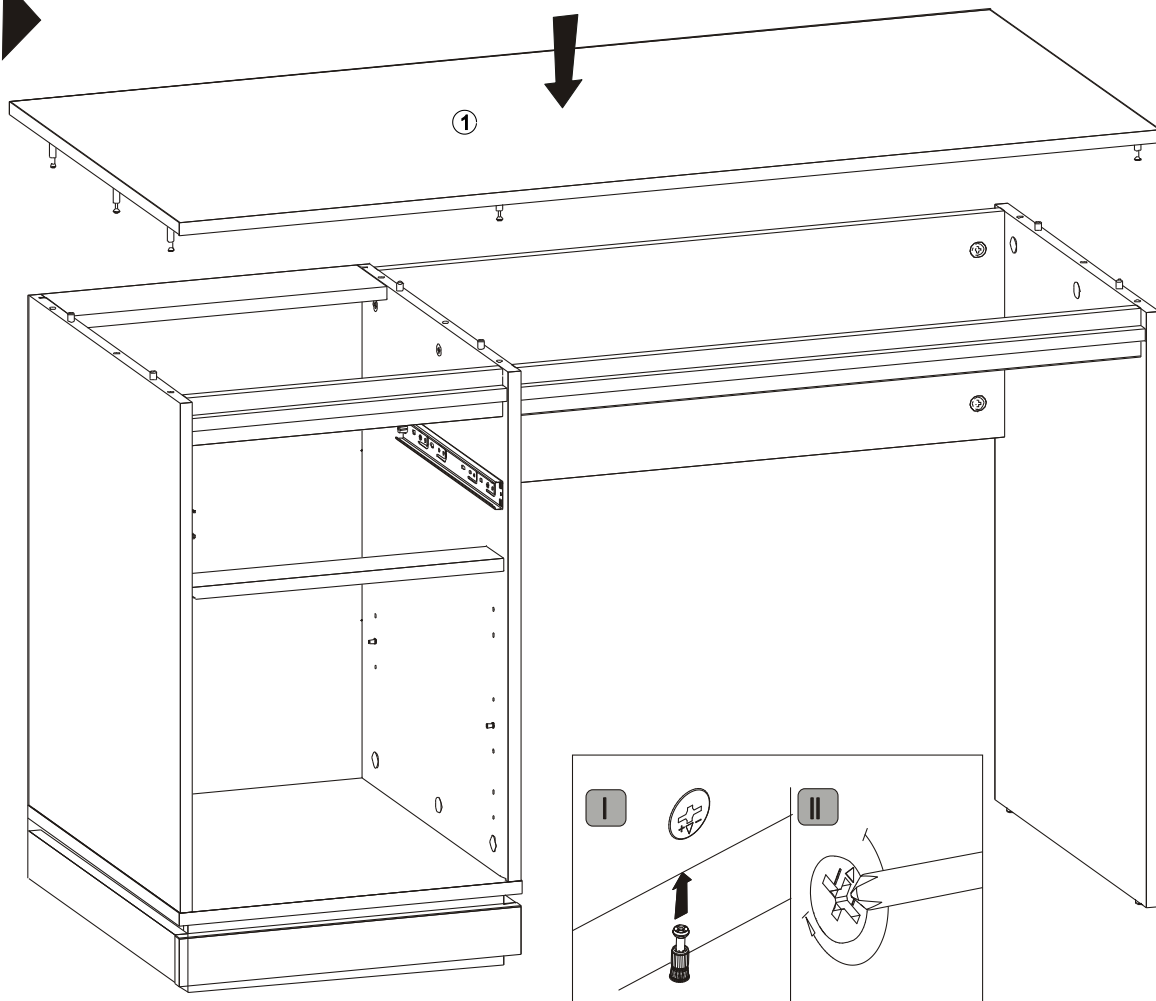
# 25 ▶



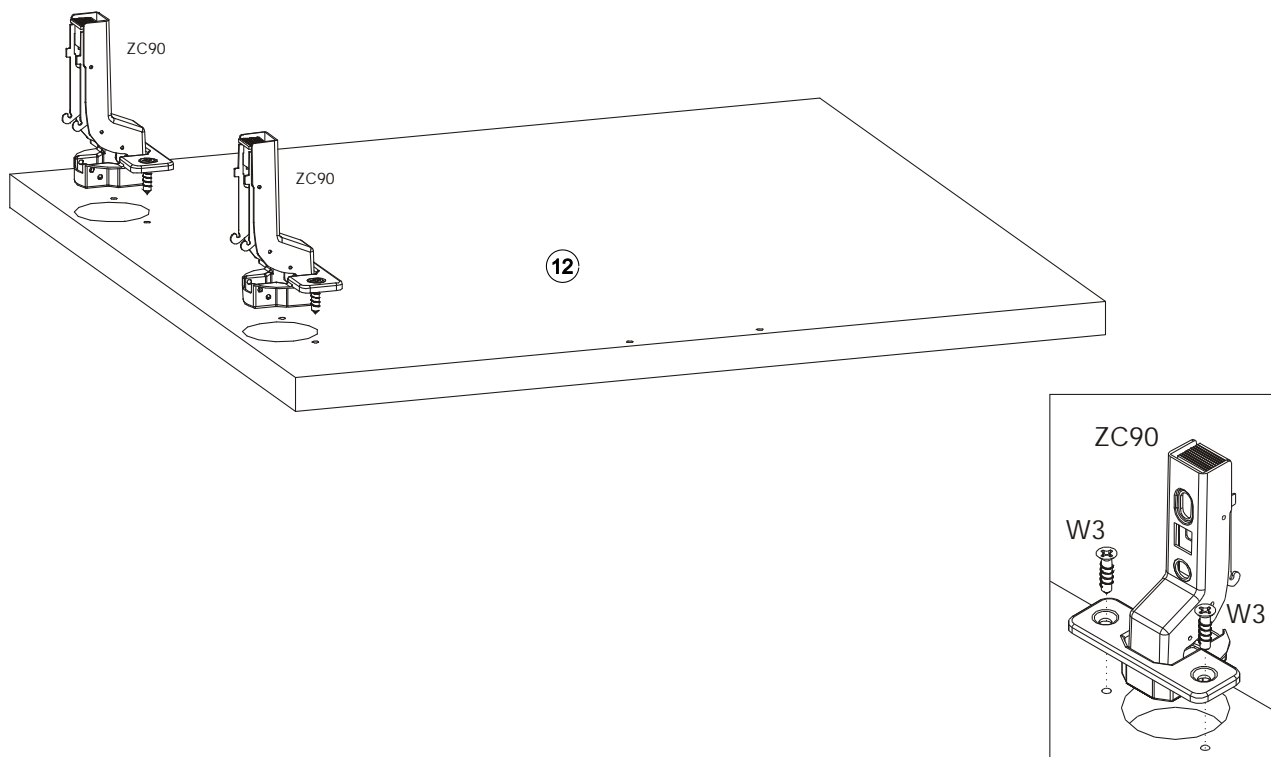
# 26 ▶



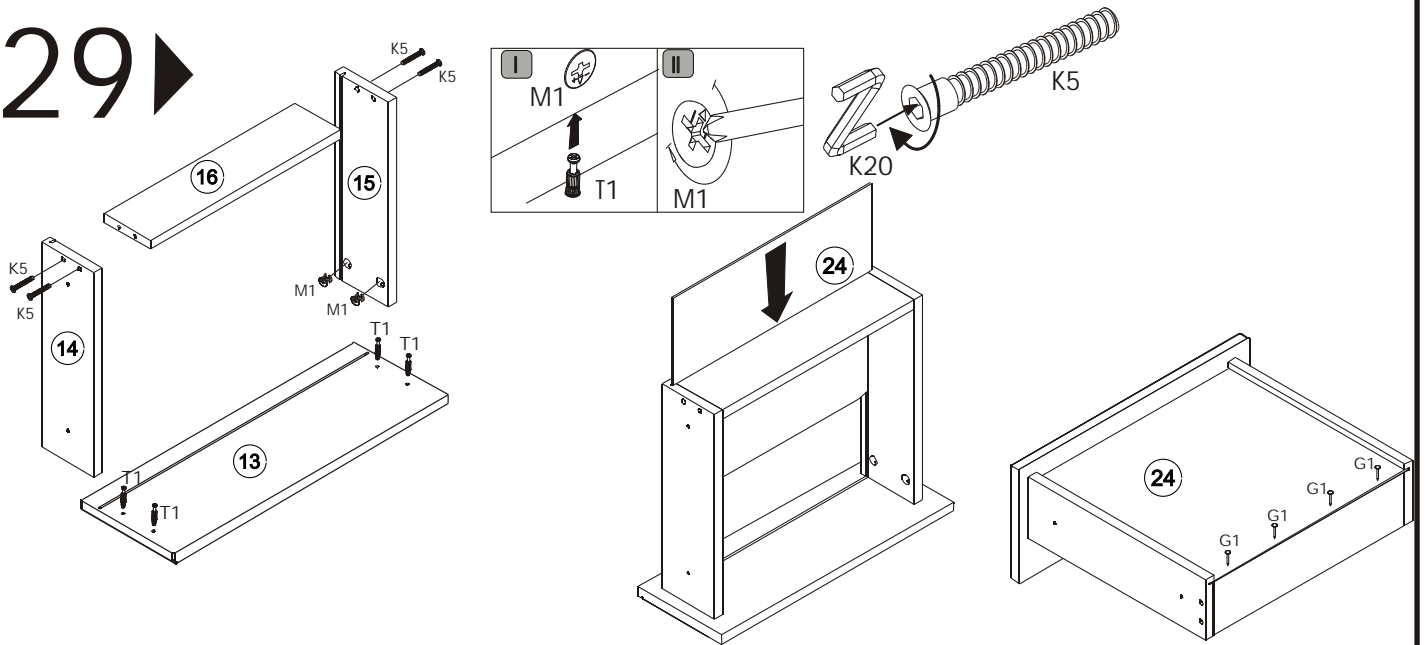
27 ▶



28 ▶



# 29 ▶



# 30 ▶

