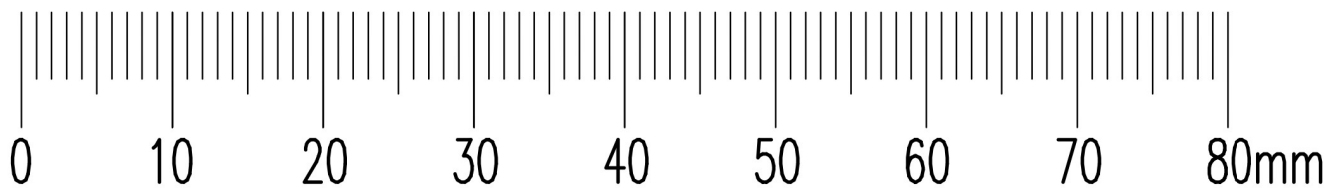
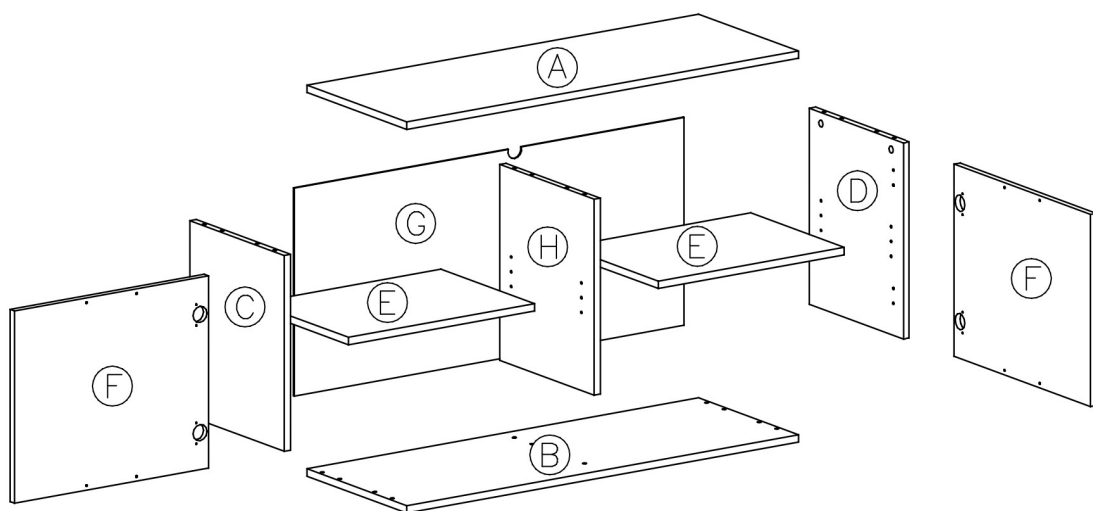
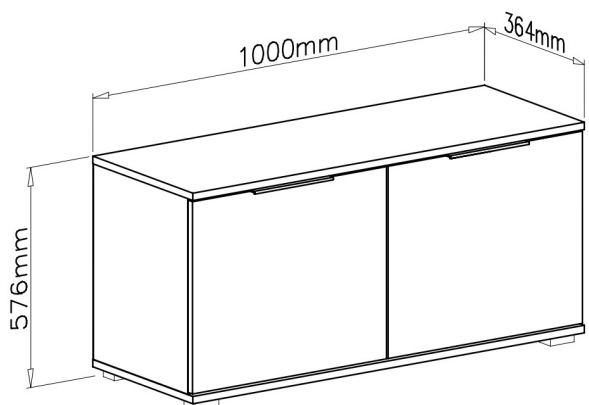

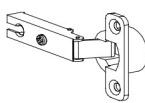
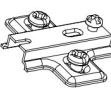
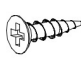

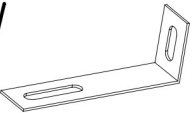



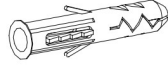
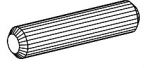
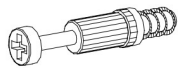

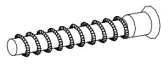
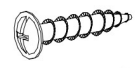
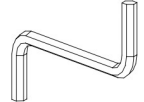


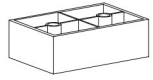



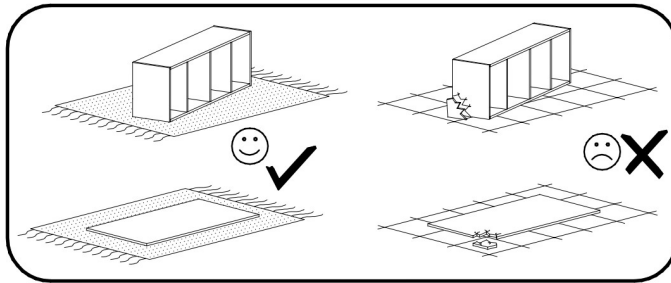
# CLIF ST-100



HALMAR Sp. z o.o., ul. Centralnego Okręgu Przemysłowego 2,  
37-450 Stalowa Wola, POLSKA / POLAND  
tel. +48 15 843 28 10, fax: +48 15 842 19 57, e-mail: office@halmar.com.pl

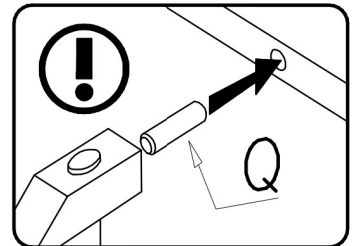
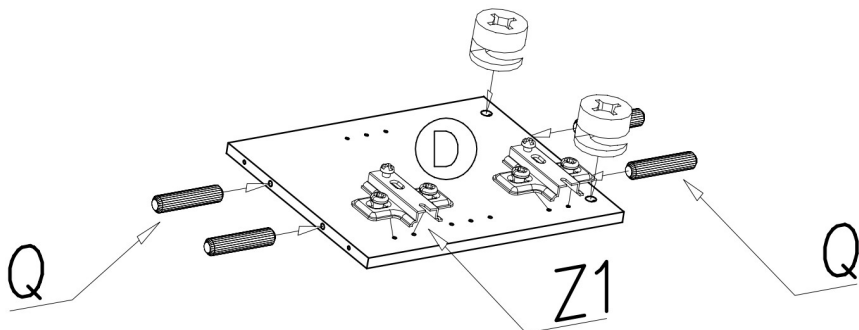
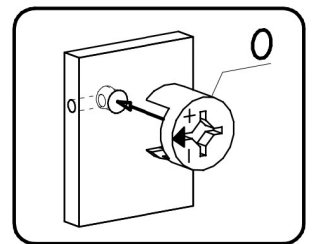
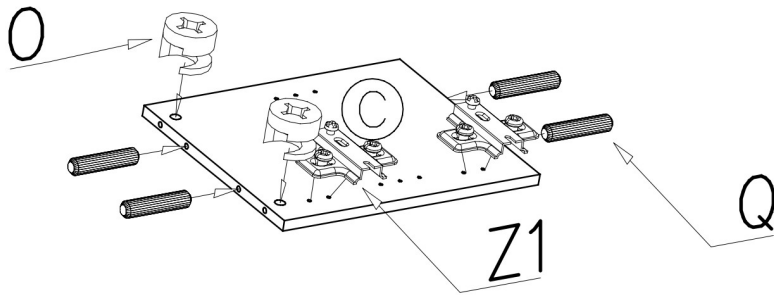
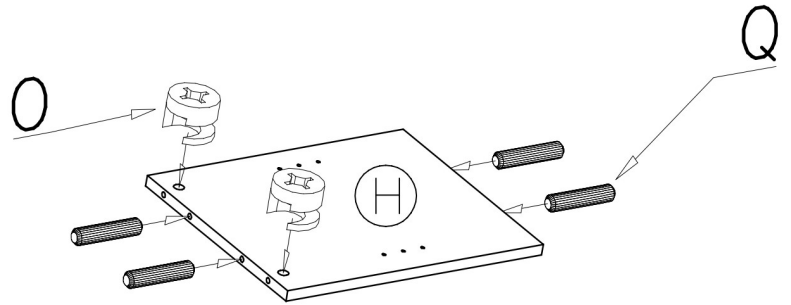
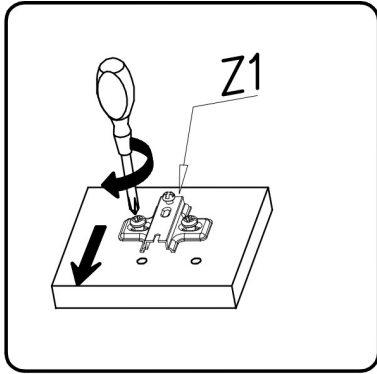
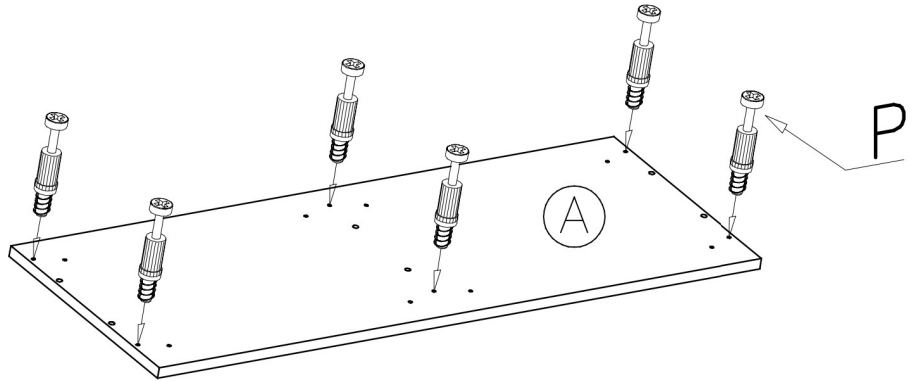
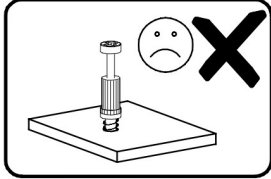
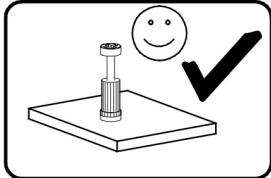


|  |  |  |  |   |
|--|--|--|--|---|
| Z3<br><br>8x          | Z2<br><br>4x          | Z1<br><br>4x            | Z<br><br>3,5x16<br>8x | Y<br><br>ø4,2x50<br>1x |
| W<br><br>1x            | U<br><br>3,5x16<br>2x | T<br><br>ø1,4x20<br>40x | S<br><br>5x13<br>4x   | R<br><br>ø8x50<br>1x   |
| Q<br><br>ø8x30<br>12x | P<br><br>6x           | O<br><br>ø15x12<br>6x   | N<br><br>ø7x50<br>6x  | M<br><br>4x20<br>10x   |
| K<br><br>1x           | L<br><br>2x           | K<br><br>4x25<br>8x     | J<br><br>5x           | I<br><br>ø16<br>6x     |


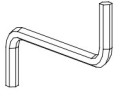


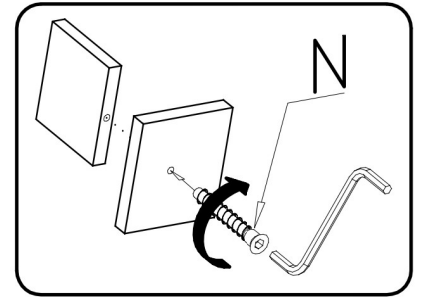
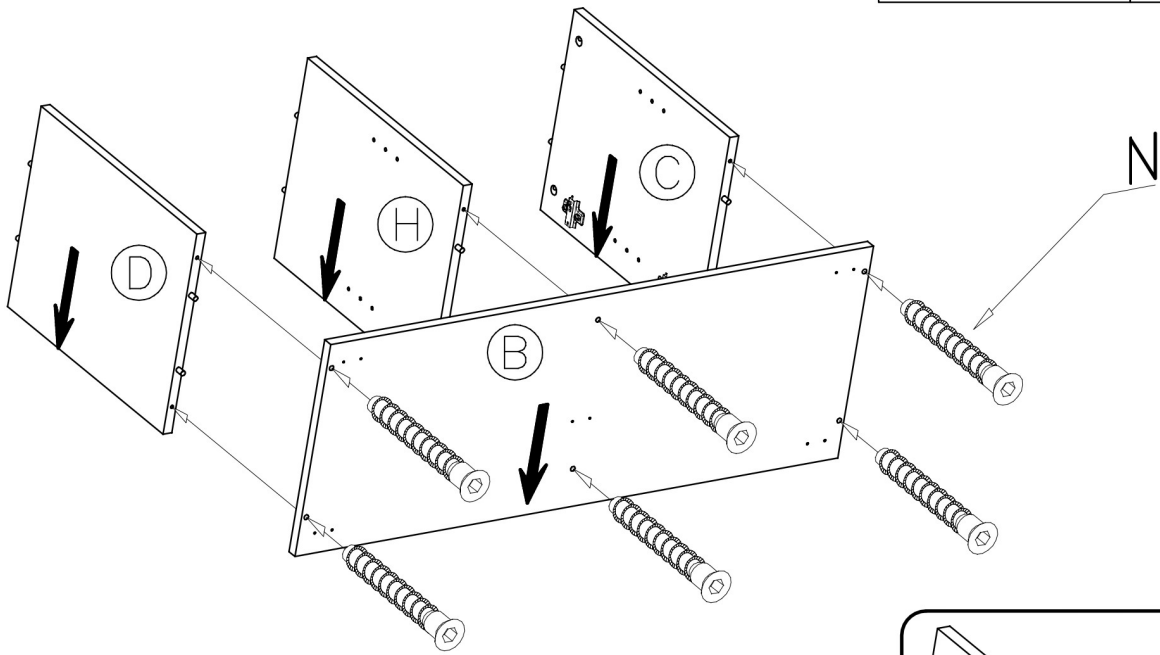
|    |  |     |
|----|--|-----|
| P  |  | 6x  |
| O  |  | 6x  |
| Q  |  | 12x |
| Z1 |  | 4x  |

1

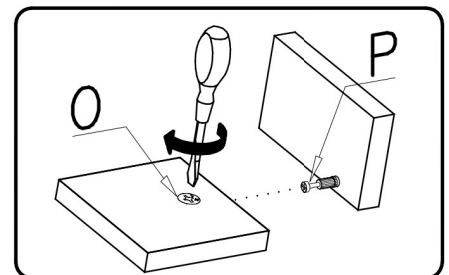
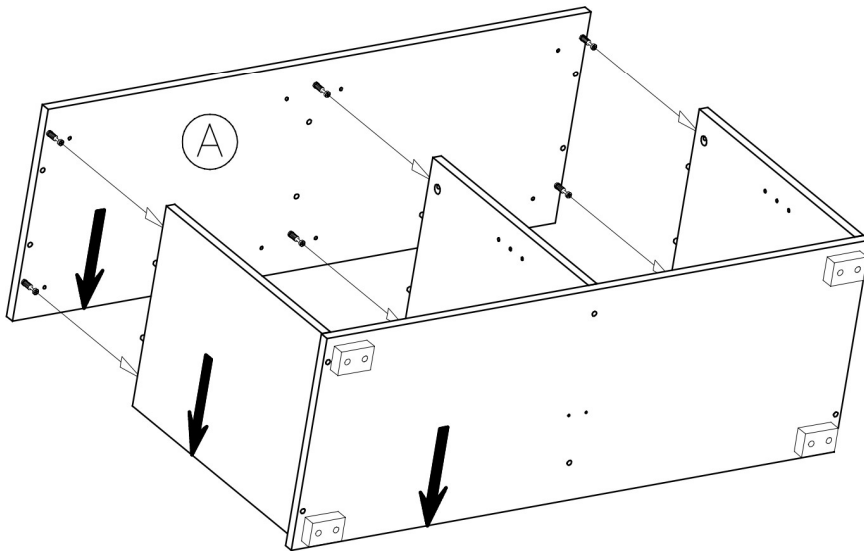


2

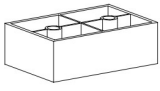

|       |  |   |  |
|-------|--|---|--|
| N     |  | L |  |
| ∅7x50 | 6x   |   | 1x   |

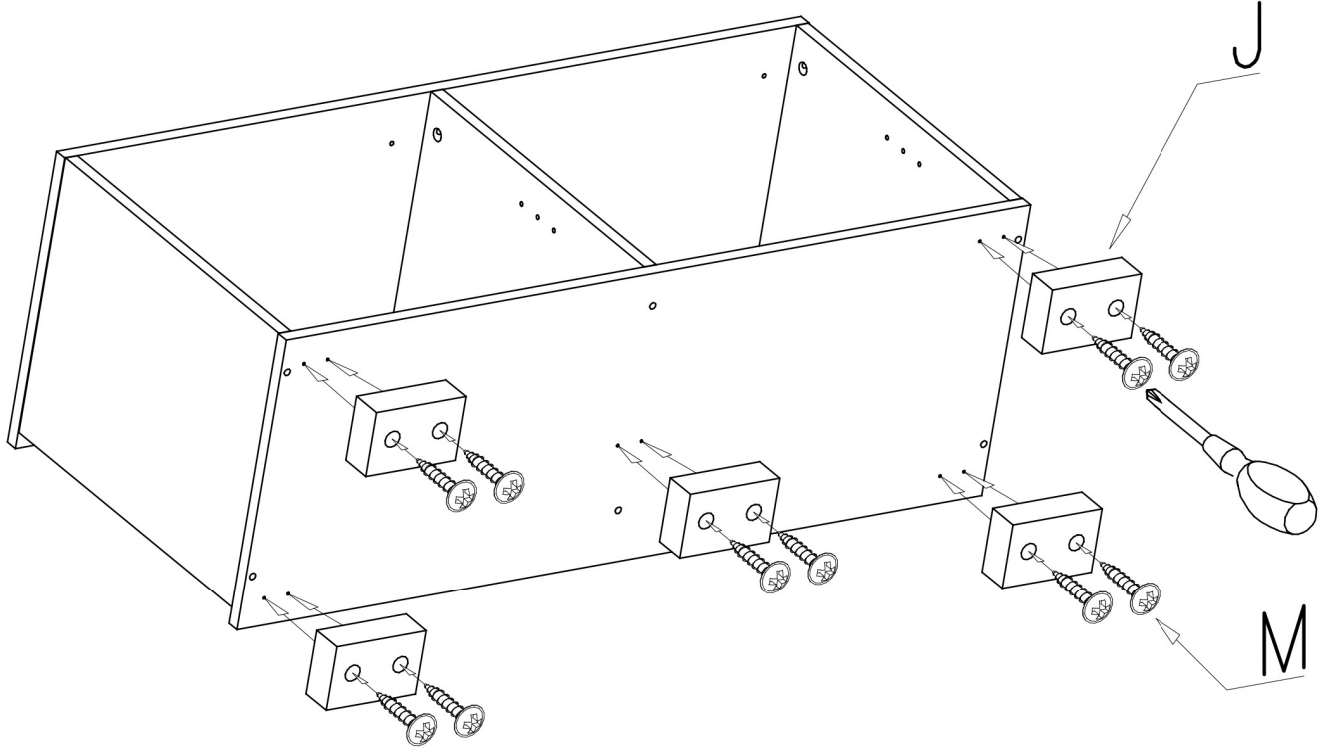


3



4

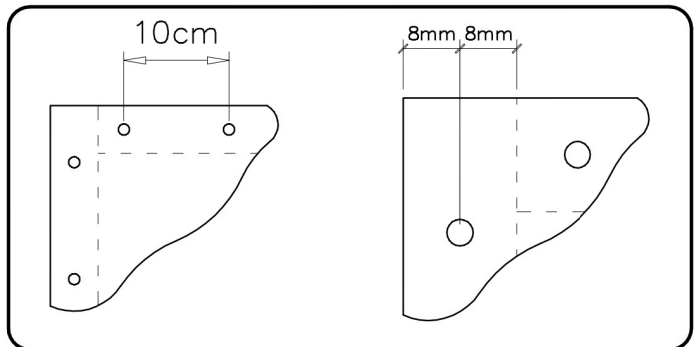
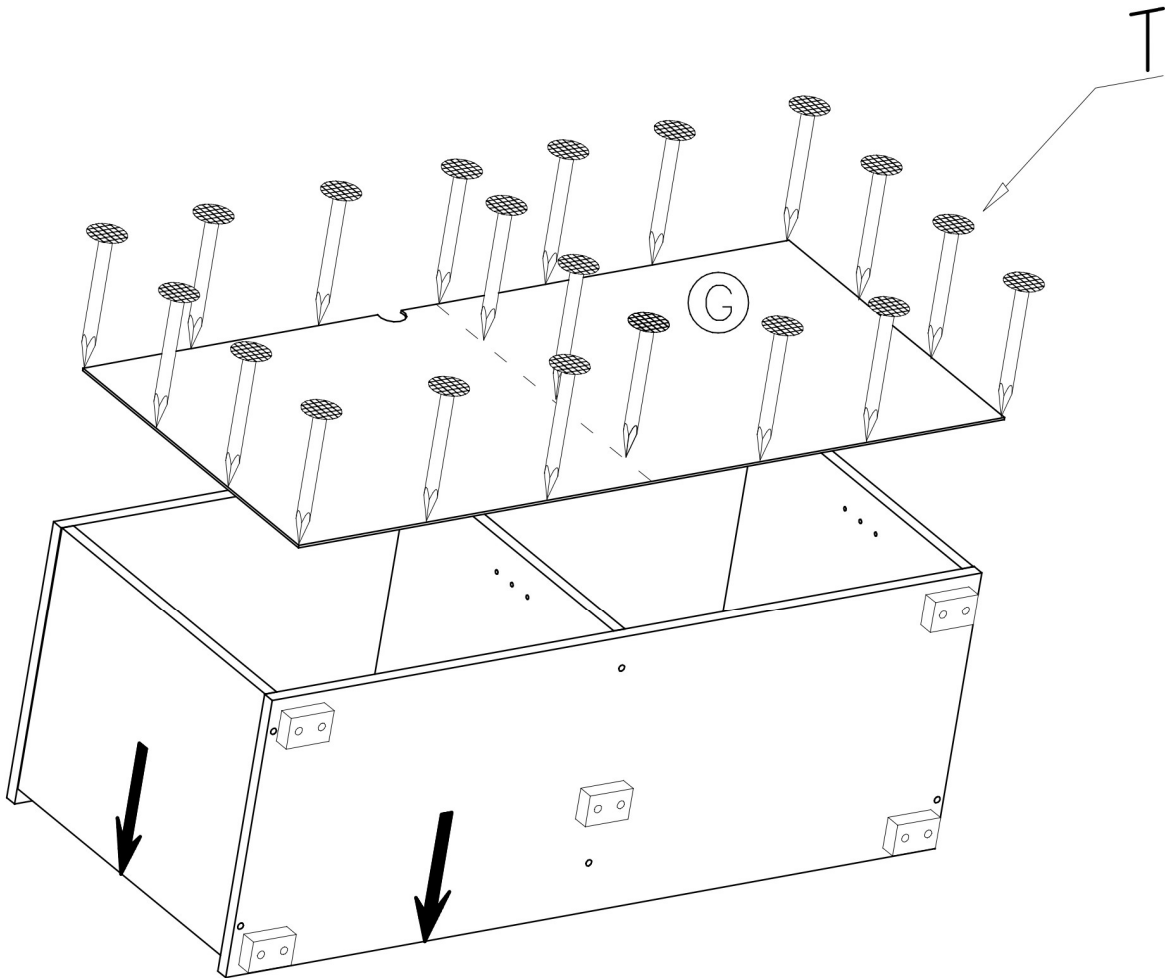
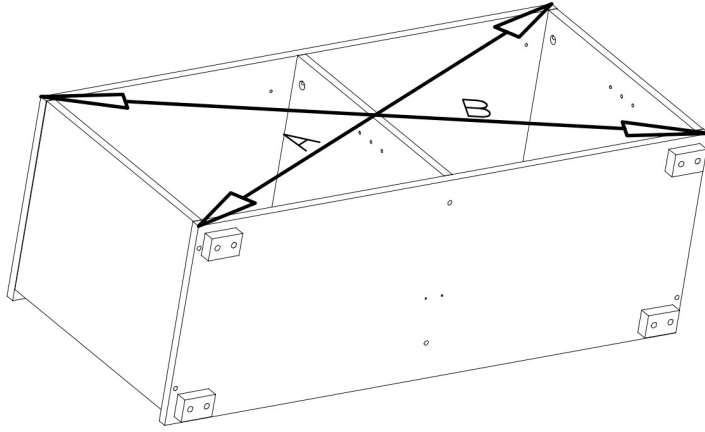
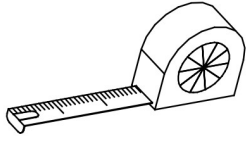
|   |   |    |   |  |     |
|---|---|----|---|--|-----|
| J |  | 5x | M |  | 10x |
|---|---|----|---|--|-----|



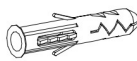


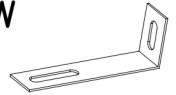
5

T  
Ø1,4x20 40x

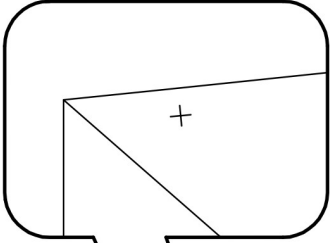
A=B



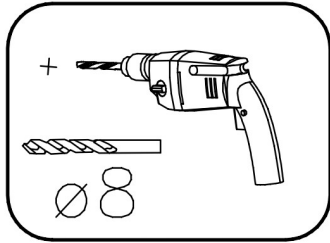
# 6

|       |  |         |   |        |  |   |  |
|-------|--|---------|---|--------|--|---|--|
| R     |  | Y       |  | U      |  | W |  |
| ∅8x50 | 1x   | ∅4,2x50 | 1x  | 3,5x16 | 2x   |   | 1x   |

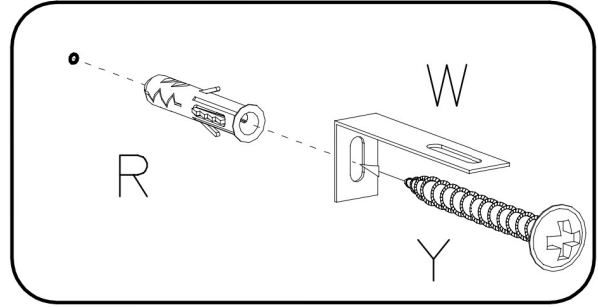
## 1



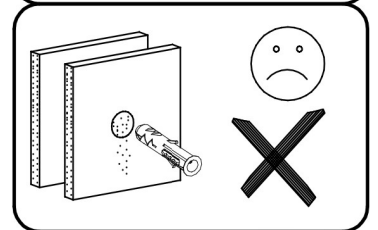
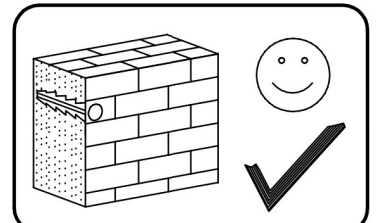
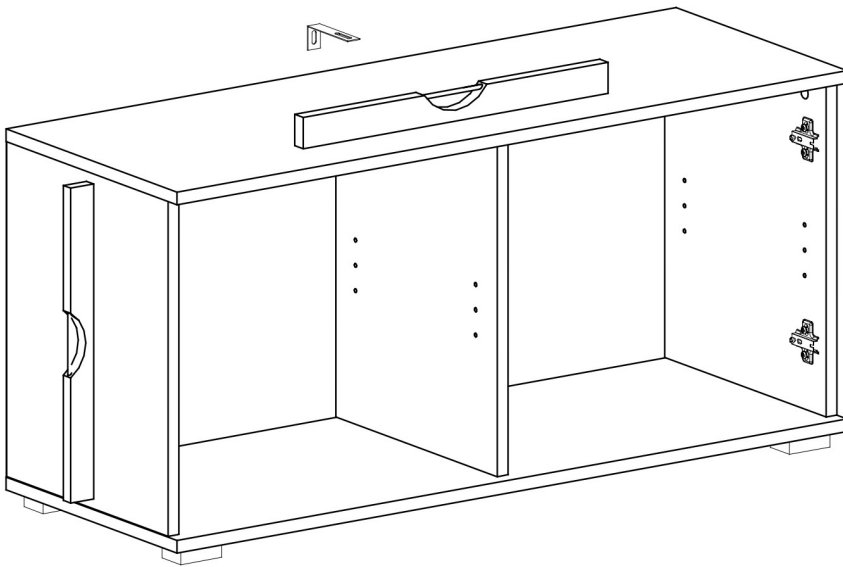
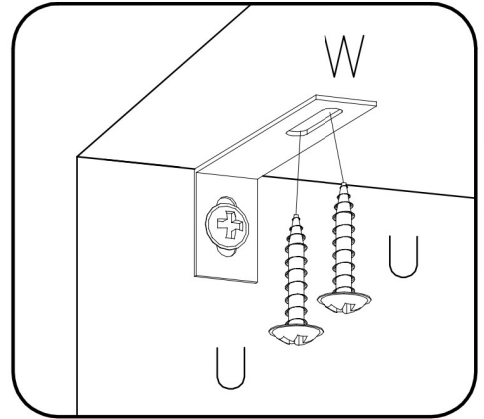
## 2



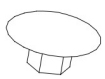
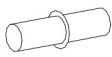
## 3

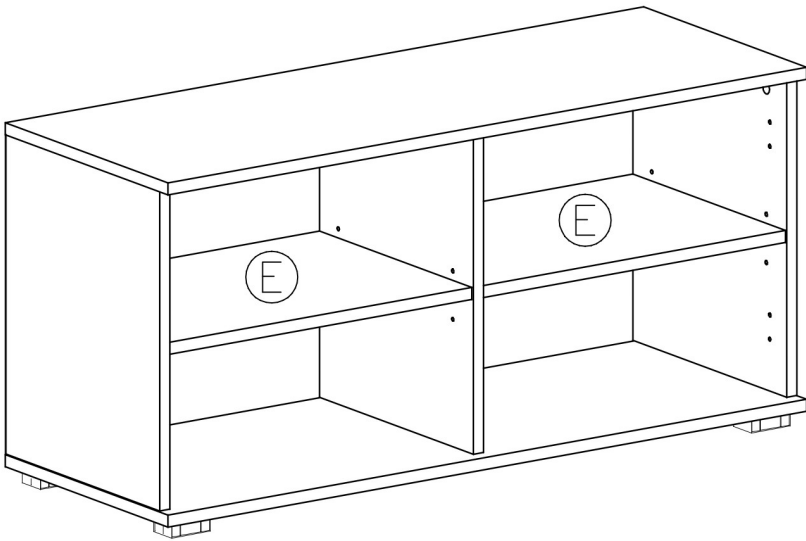


## 4

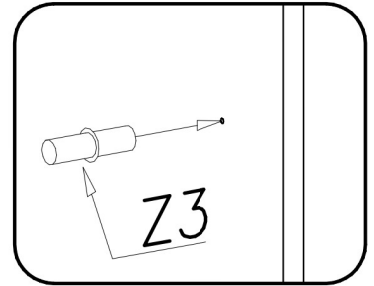


# 7

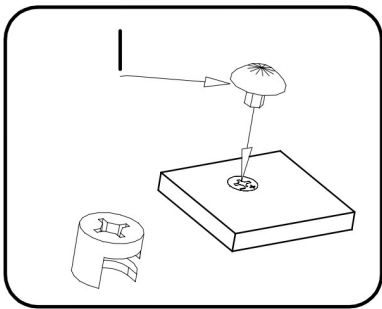
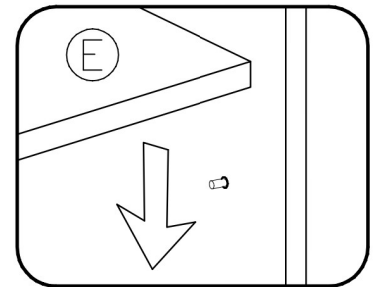
|   |  |    |    |  |    |
|---|--|----|----|--|----|
| I |  | 6x | Z3 |  | 8x |
|   | ∅16  |    |    |  |    |




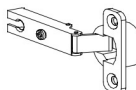
# 1

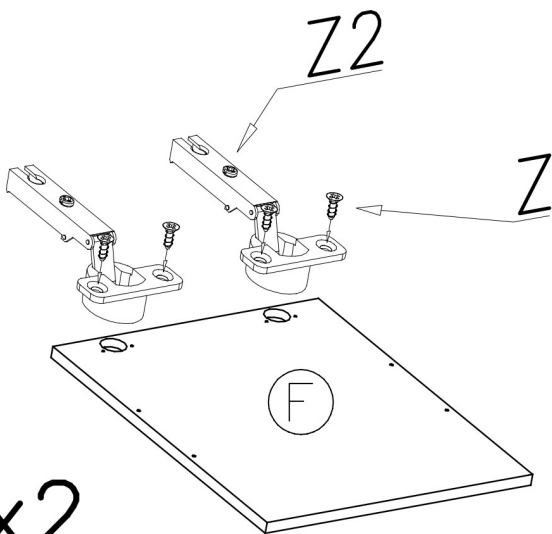


# 2

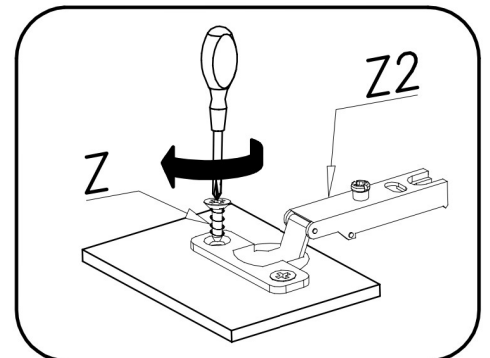


# 8



|    |   |    |
|----|---|----|
| Z  |  | 8x |
|    | 3,5x16  |    |
| Z2 |  | 4x |

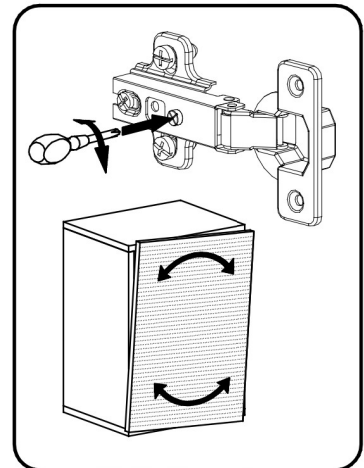
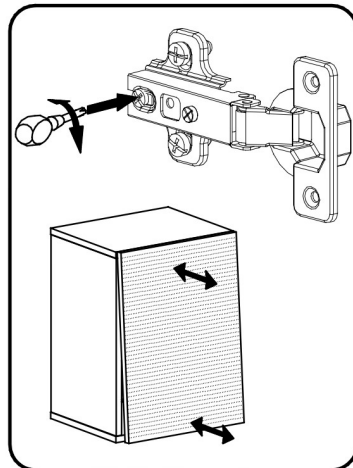
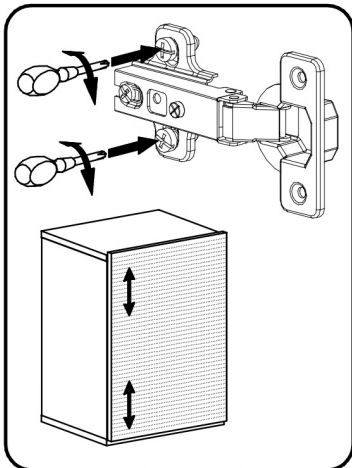
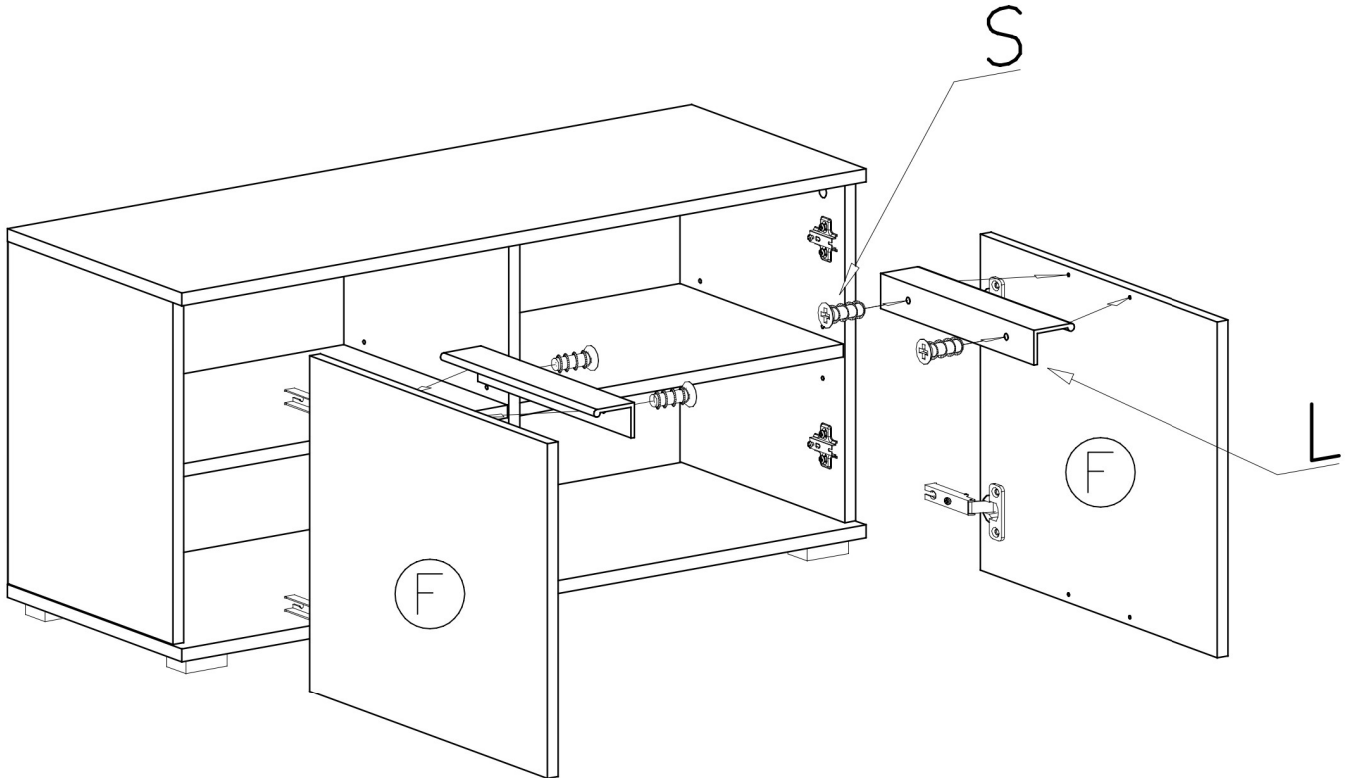
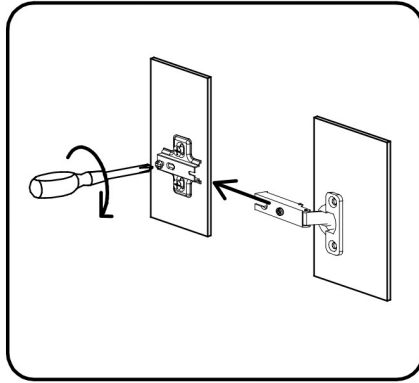


# x2



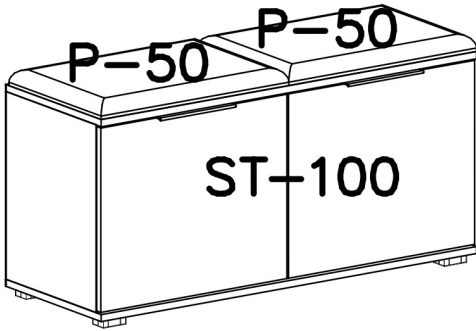
9

|      |   |    |
|------|---|----|
| S    |   | 4x |
| 5x13 |   |    |
| L    |  | 2x |

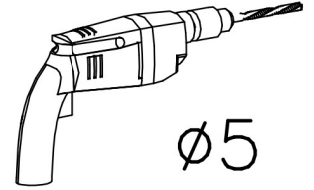


# OPTION

CLIF ST-100 + CLIF P-50x2



P-50 x2



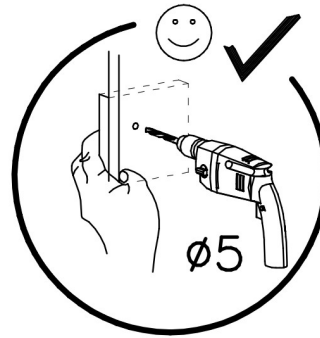
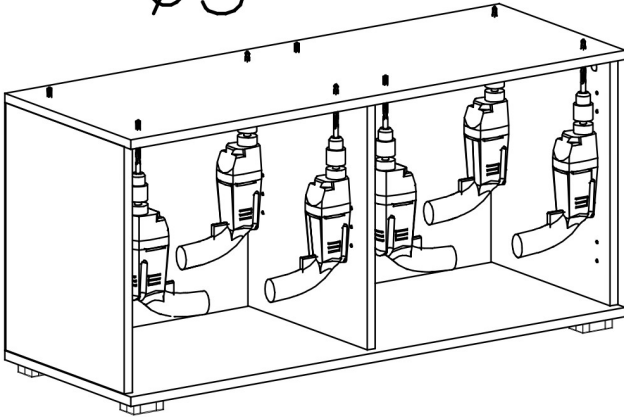
K



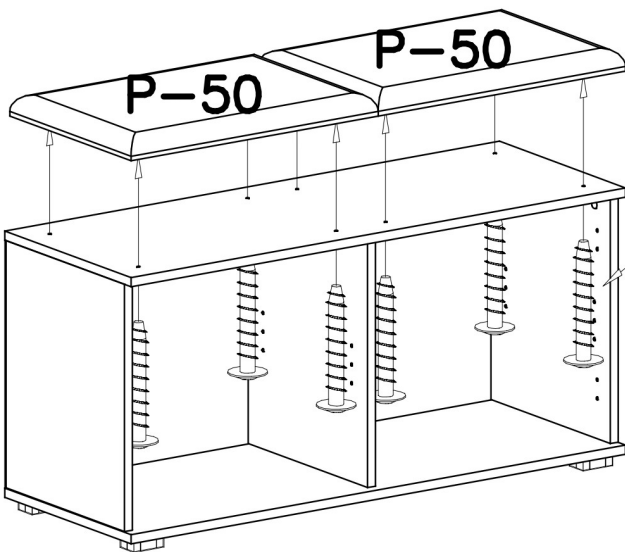
4x25

8x

1  $\phi 5$



2



K

K



4x25

8x

