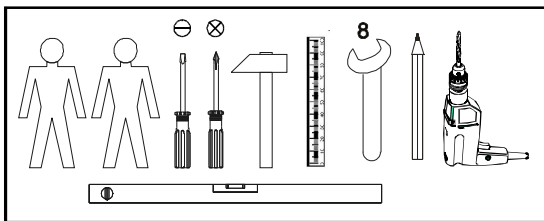
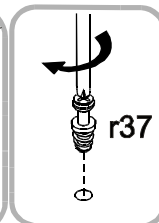
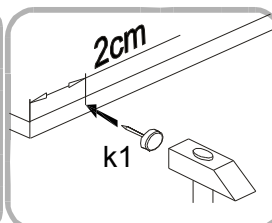
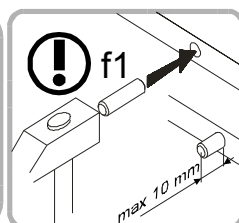
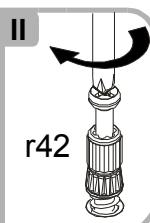
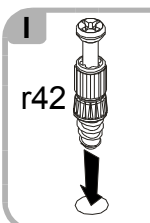
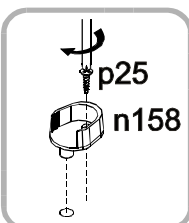
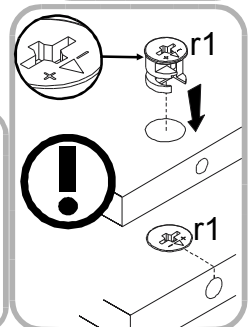
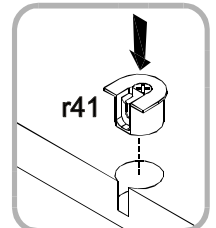
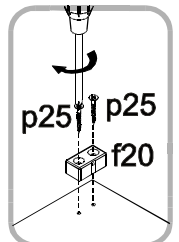
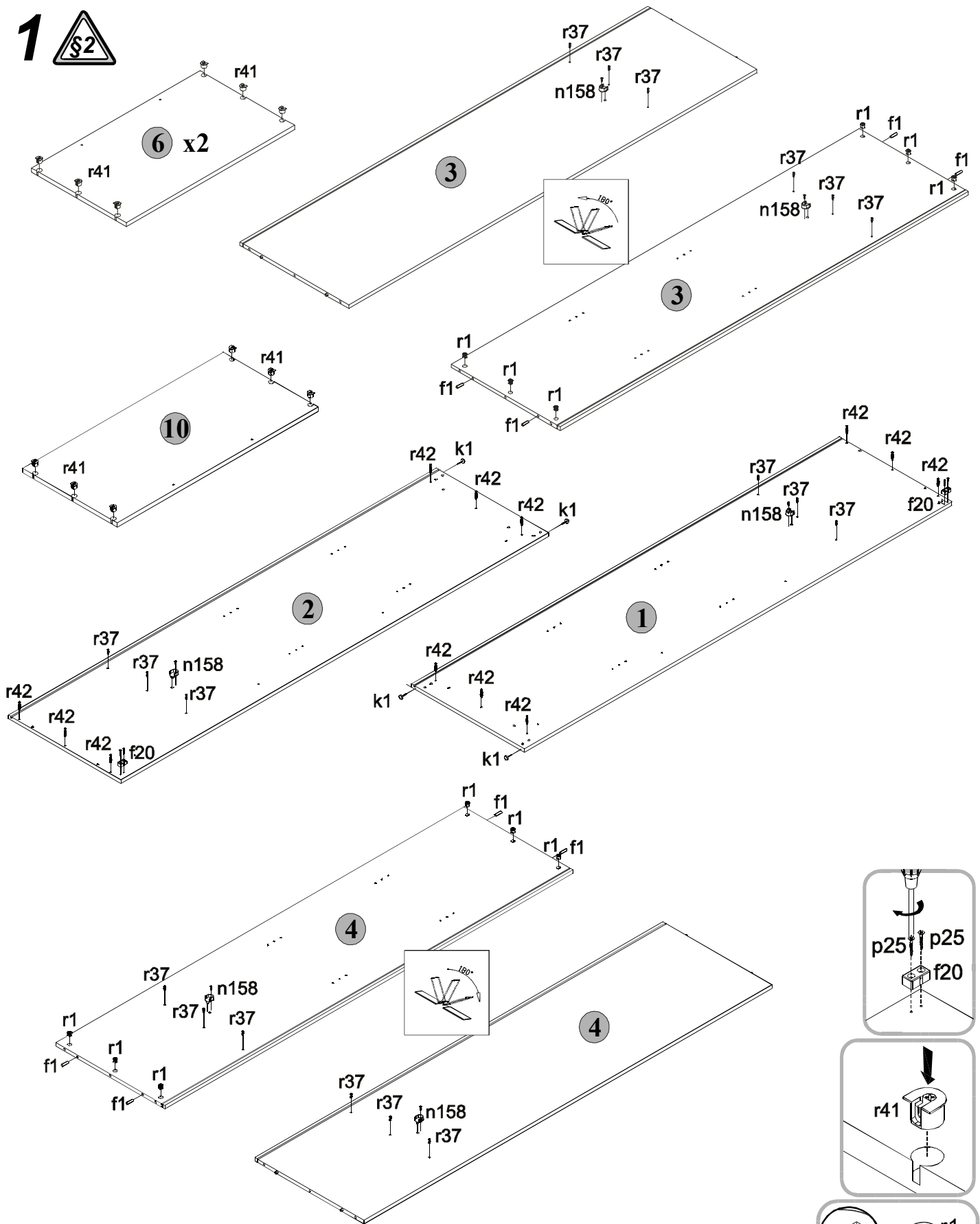


	A	B	C	D
1	F27-116	2100x551	1/7	
2	F27-111	2100x551	1/7	
3	F27-112	2003x535	2/7	
4	F27-113	2003x535	2/7	
5	F27-317	1335x535	3/7	
6	F27-322	827x465	2/7	
7	F27-319	1335x535	3/7	
8	F27-320	1335x550	3/7	
9	F27-321	1335x550	3/7	
10	F27-316	986x465	2/7	
11	F27-408	1335x66	3/7	
12	F27-409	1335x66	3/7	
13	F27-410	1335x66	3/7	
14	F27-905	2012x837	1/7	
15	F27-906	2012x995	1/7	

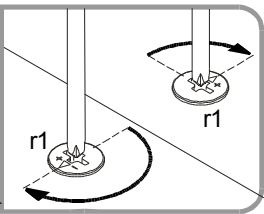
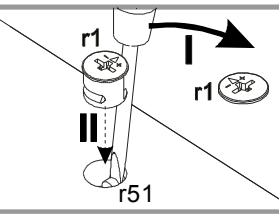
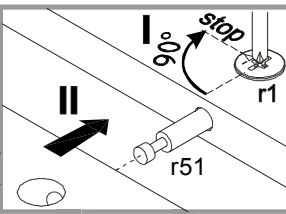
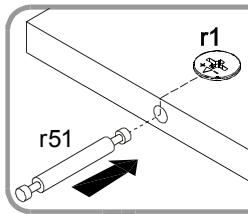
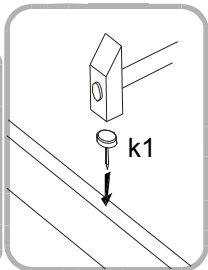
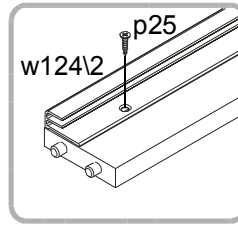
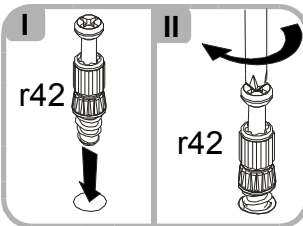
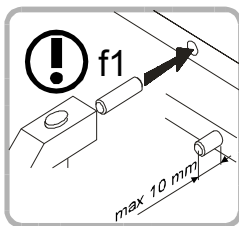
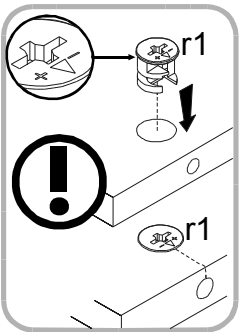
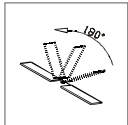
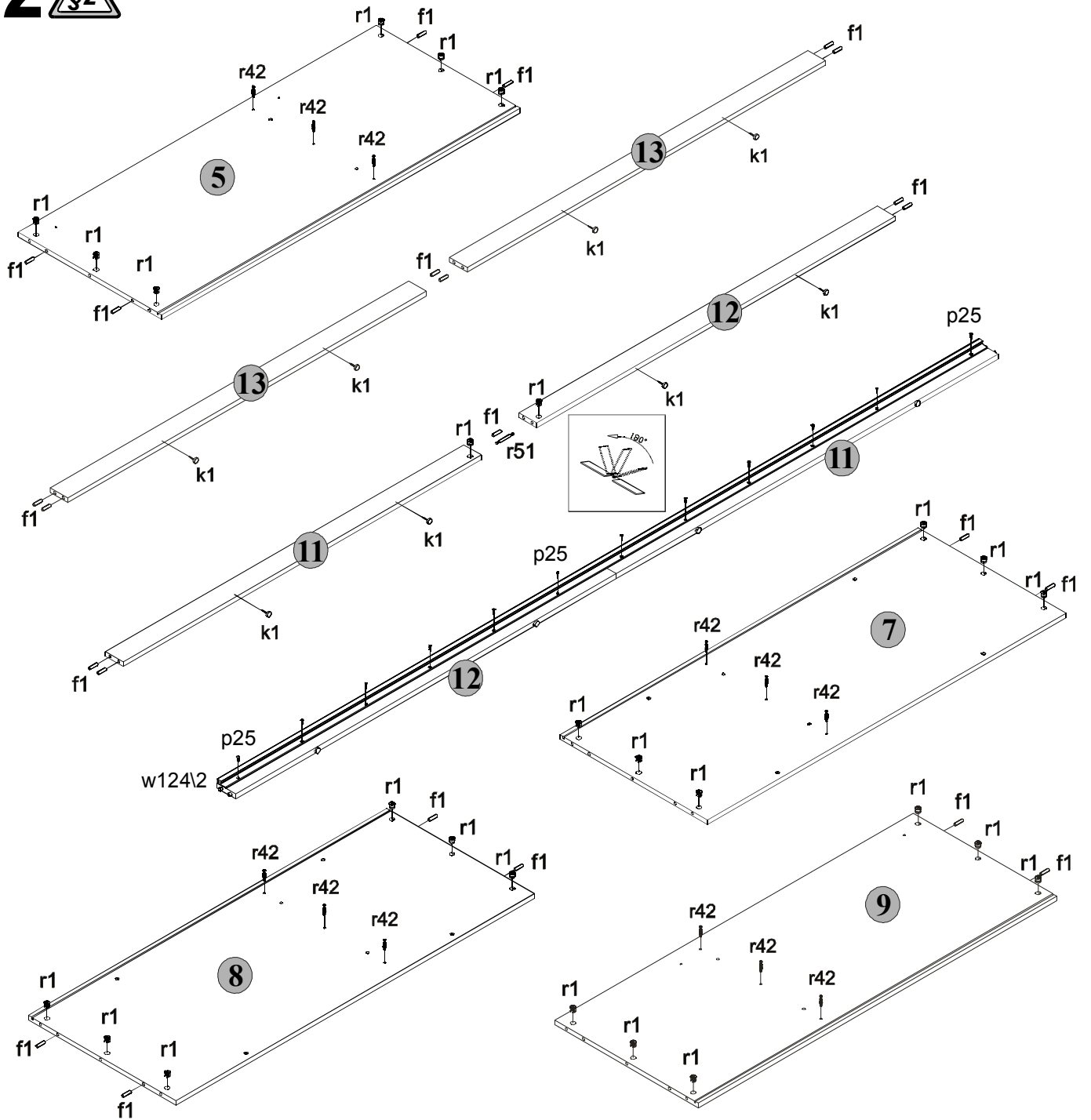


2x 15x30x821 mm dr821		1x 15x30x981 mm dr981		1x w123/1		1x w124/2		
2x 81x21x151,5mm n14	6x d20	8x $\phi 7 \times 50$ mm e1	6x $\phi 6.3 \times 10$ mm e50	31x $\phi 8 \times 30$ mm f1	2x f55	2x f20	1x f52	
2x M5 j149	2x M5x20 mm j148	36x l2	12x k1	6x n158	6x $\phi 3.5 \times 25$ mm p16	19x $\phi 3.5 \times 16$ mm p25	17x $\phi 4 \times 13$ mm p93	38x $\phi 15 \times 12$ mm #16 r1
18x $\phi 7.7 \times 8$ r37	18x $\phi 20 \times 13.5$ mm #19 r41	24x r42	7x r51	8x s1	38x $\phi 16$ s2	12x $\phi 5$ s4	1x z1	

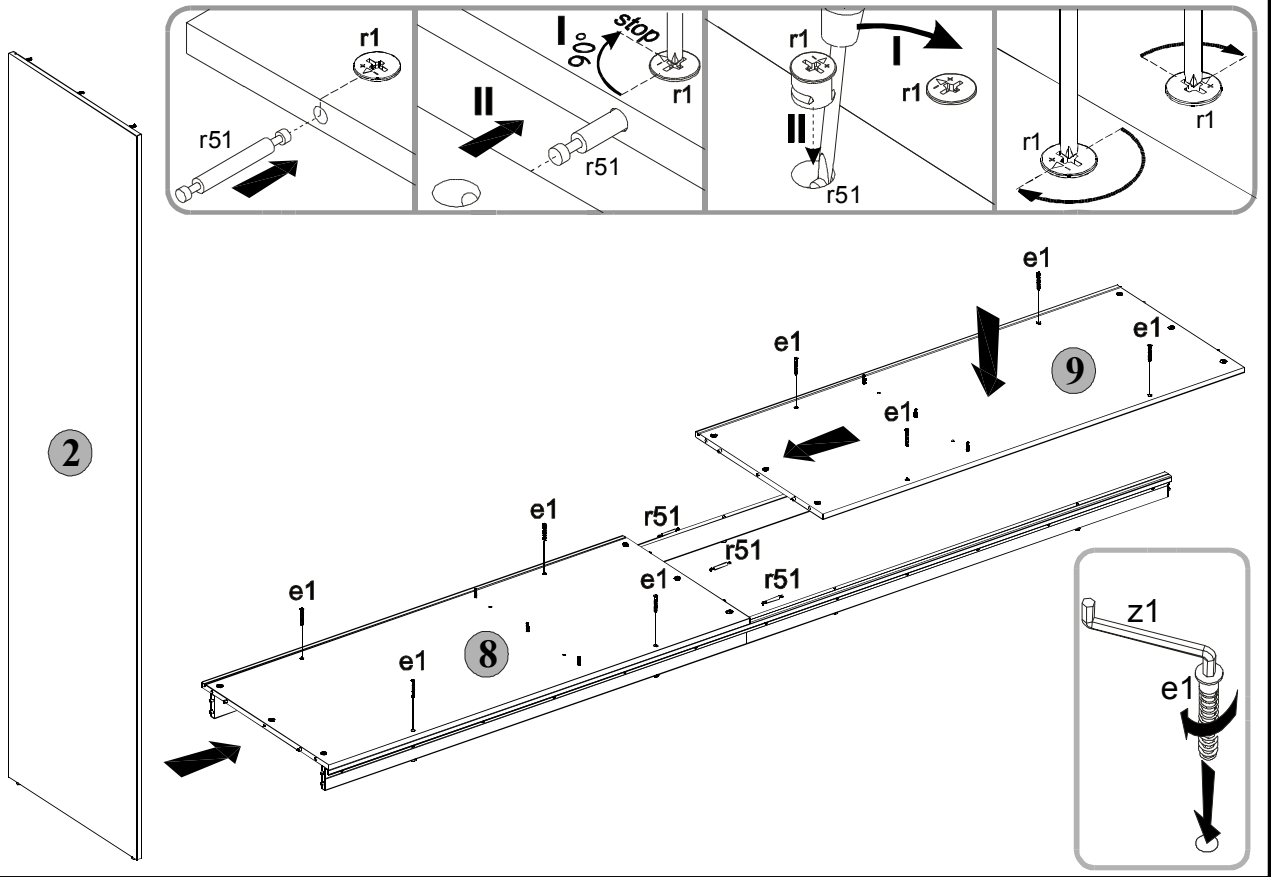
1



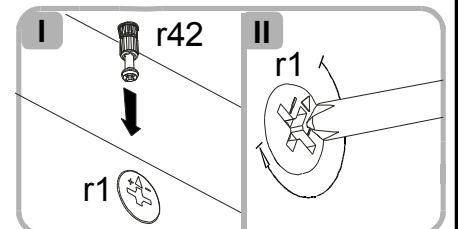
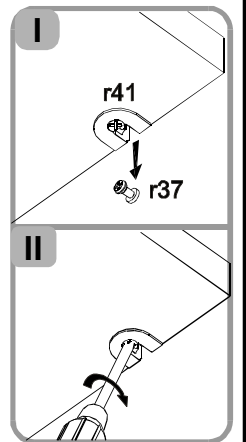
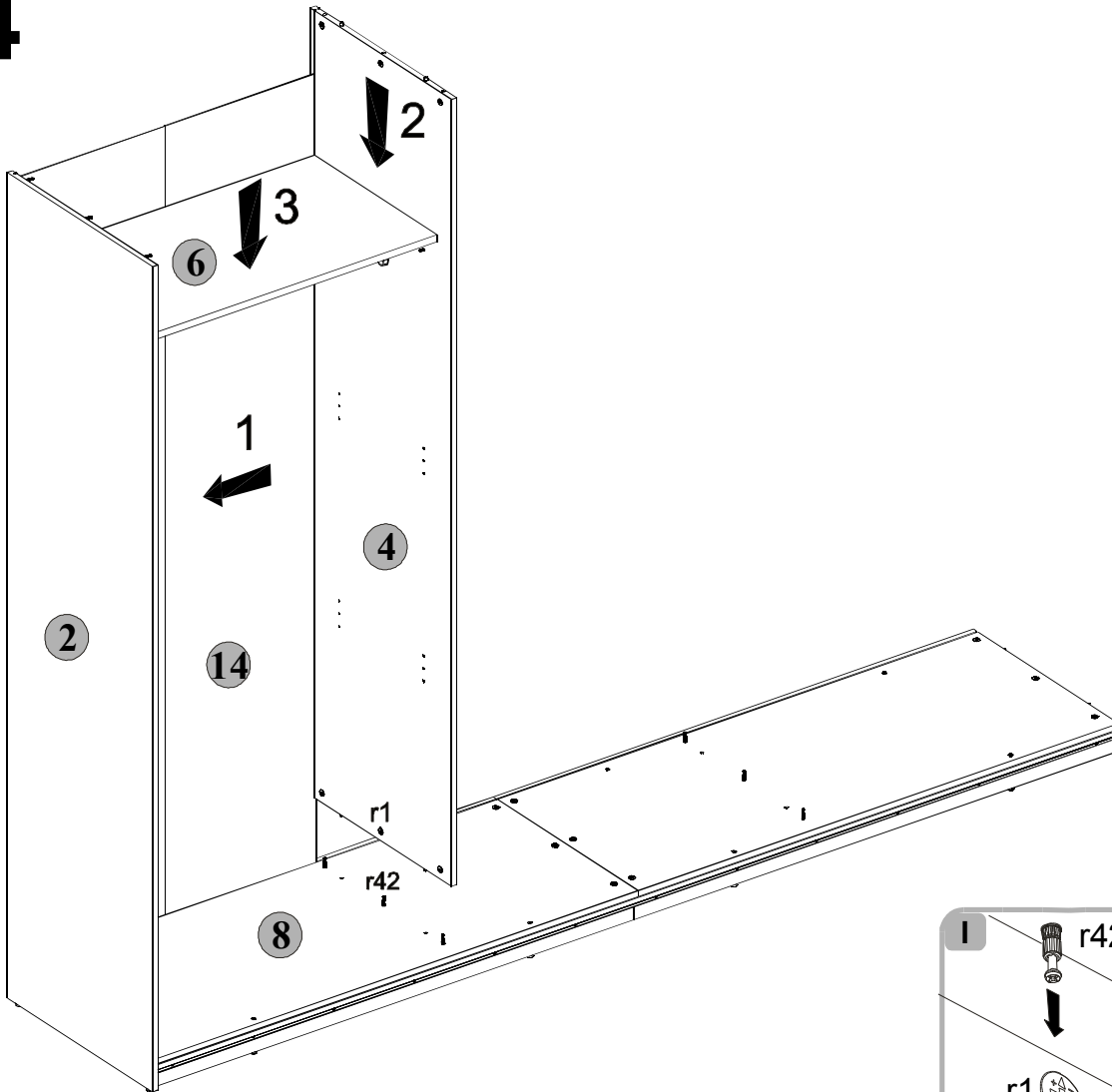
2



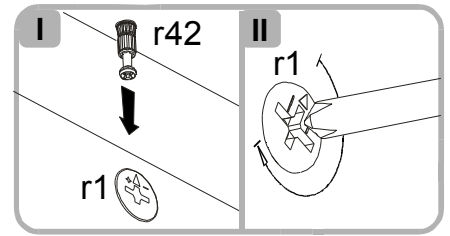
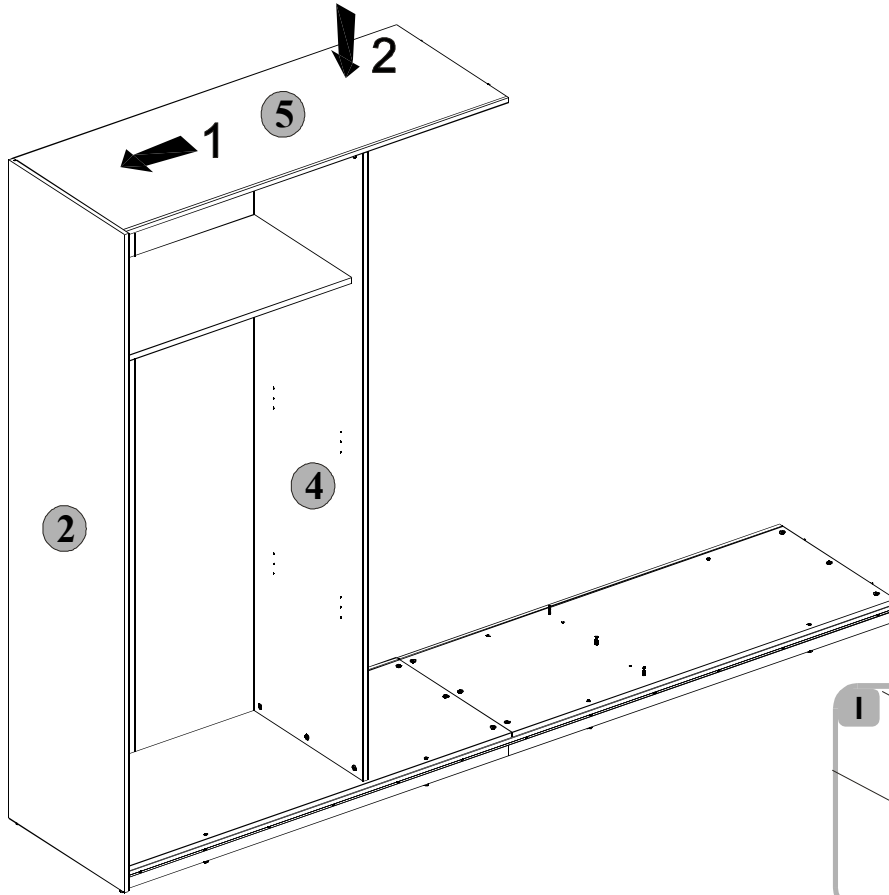
3



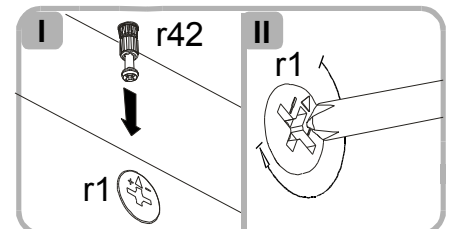
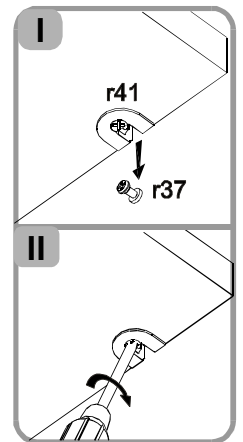
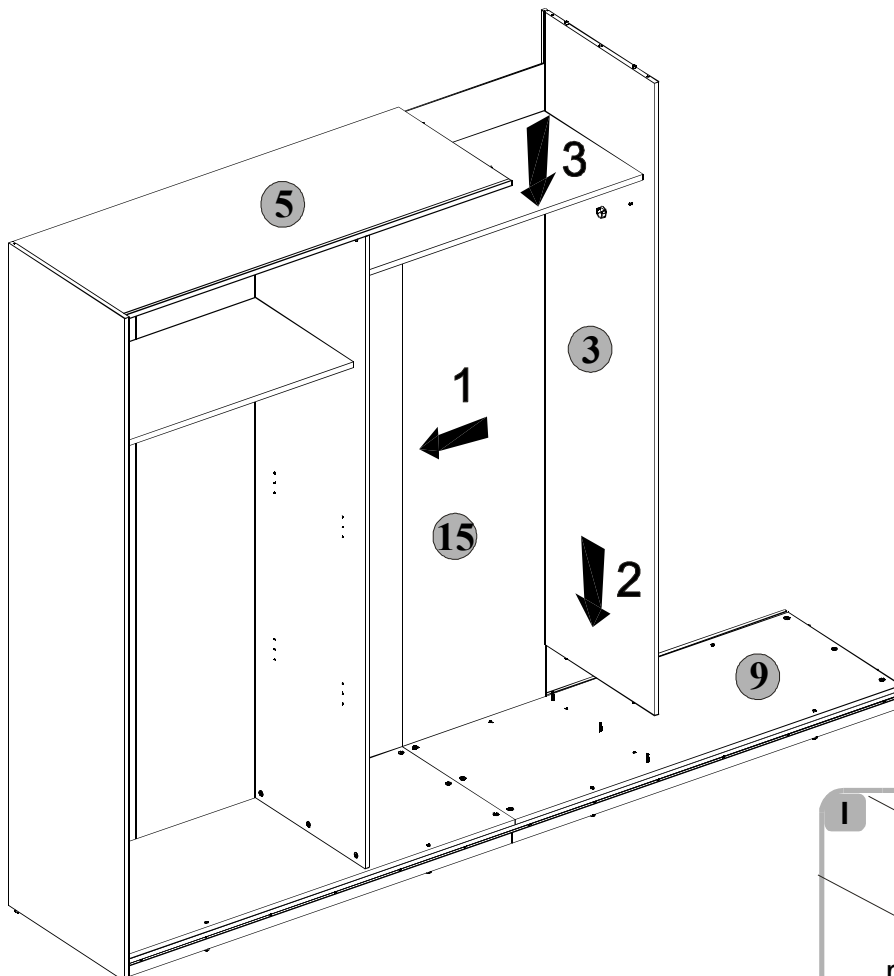
4



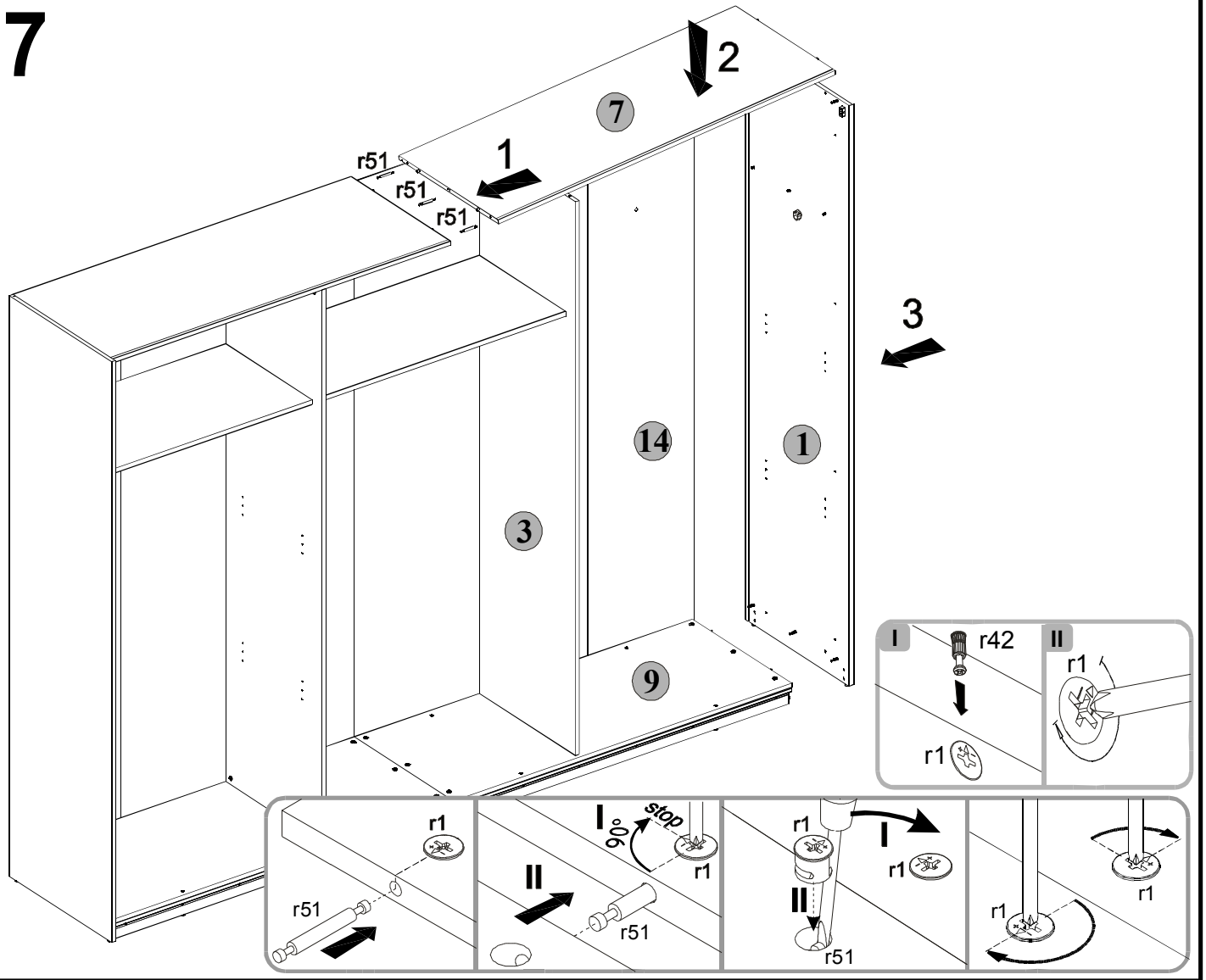
5



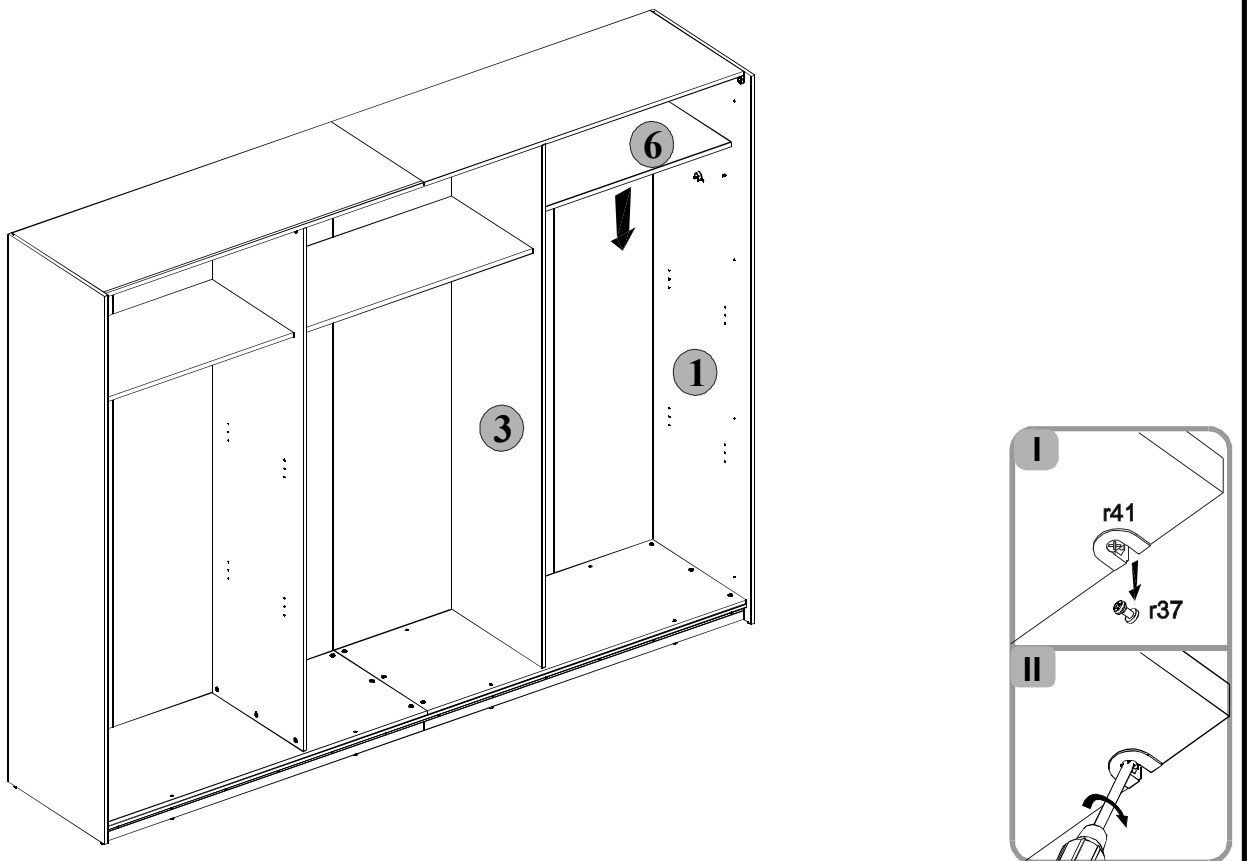
6



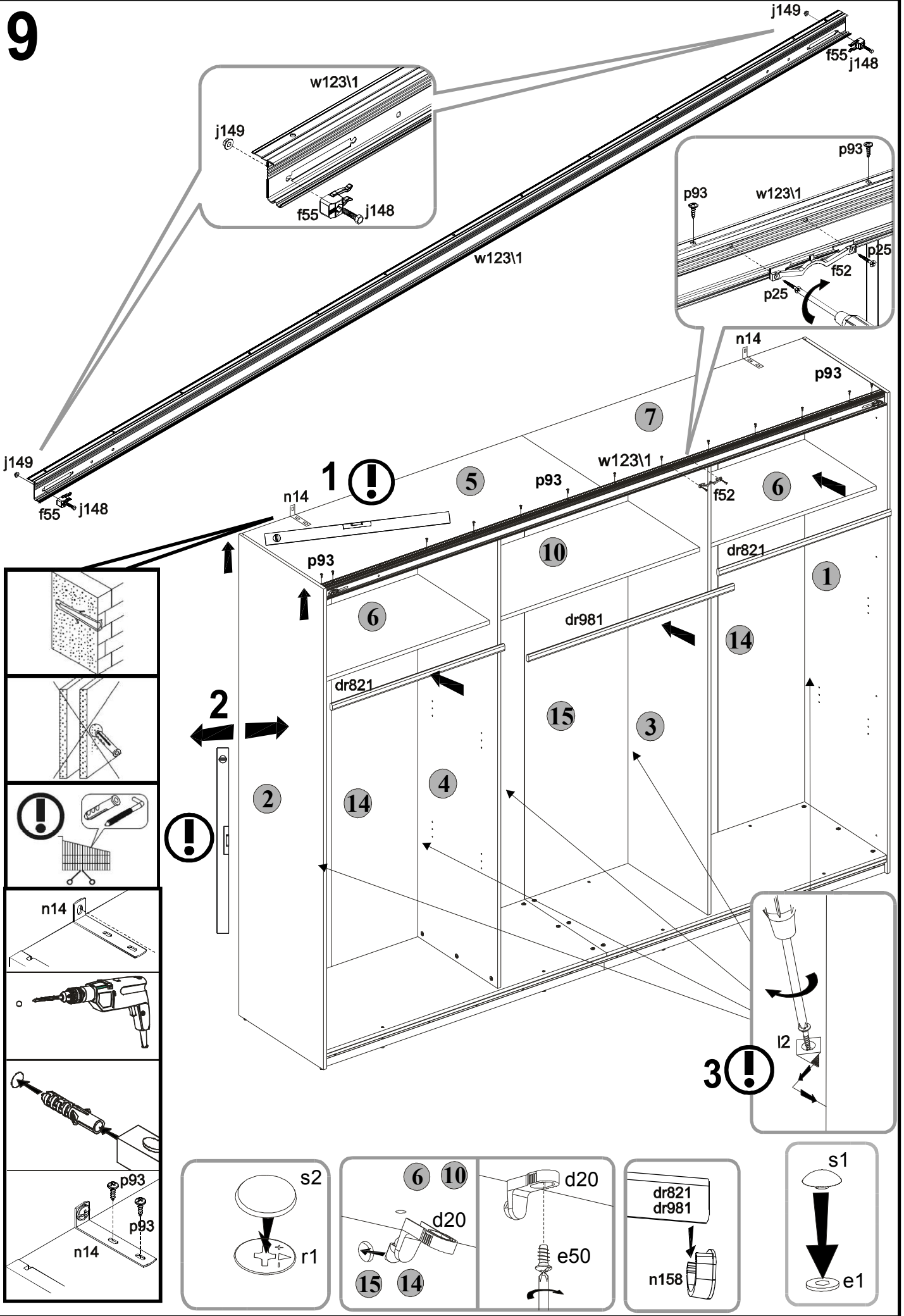
7

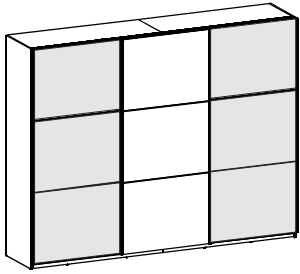


8

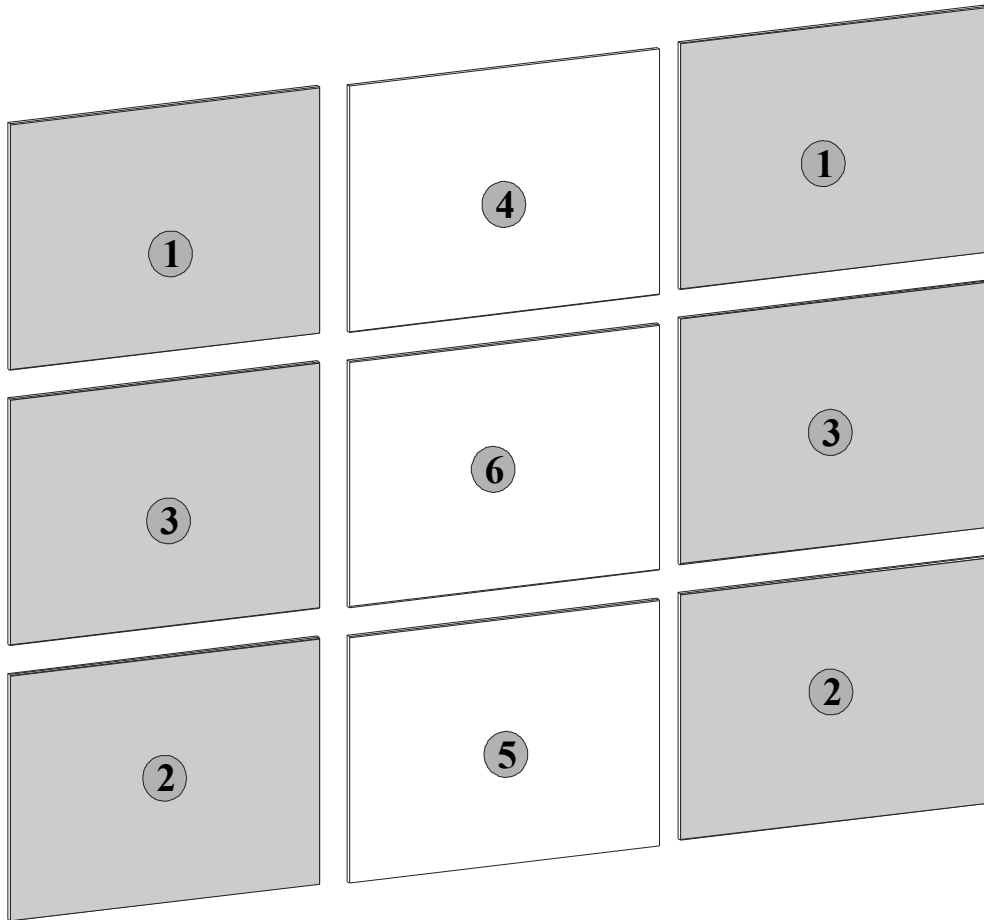


9

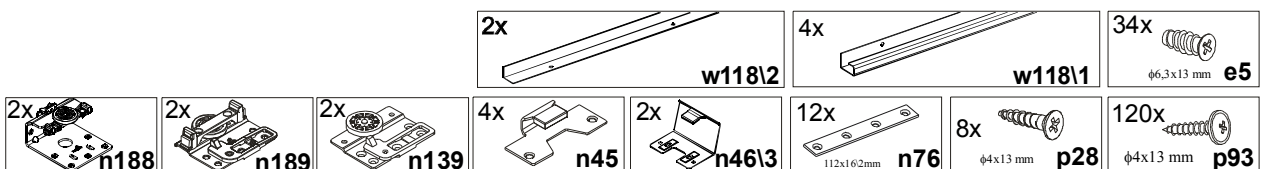
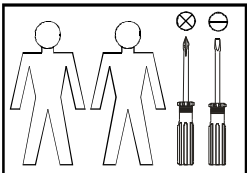


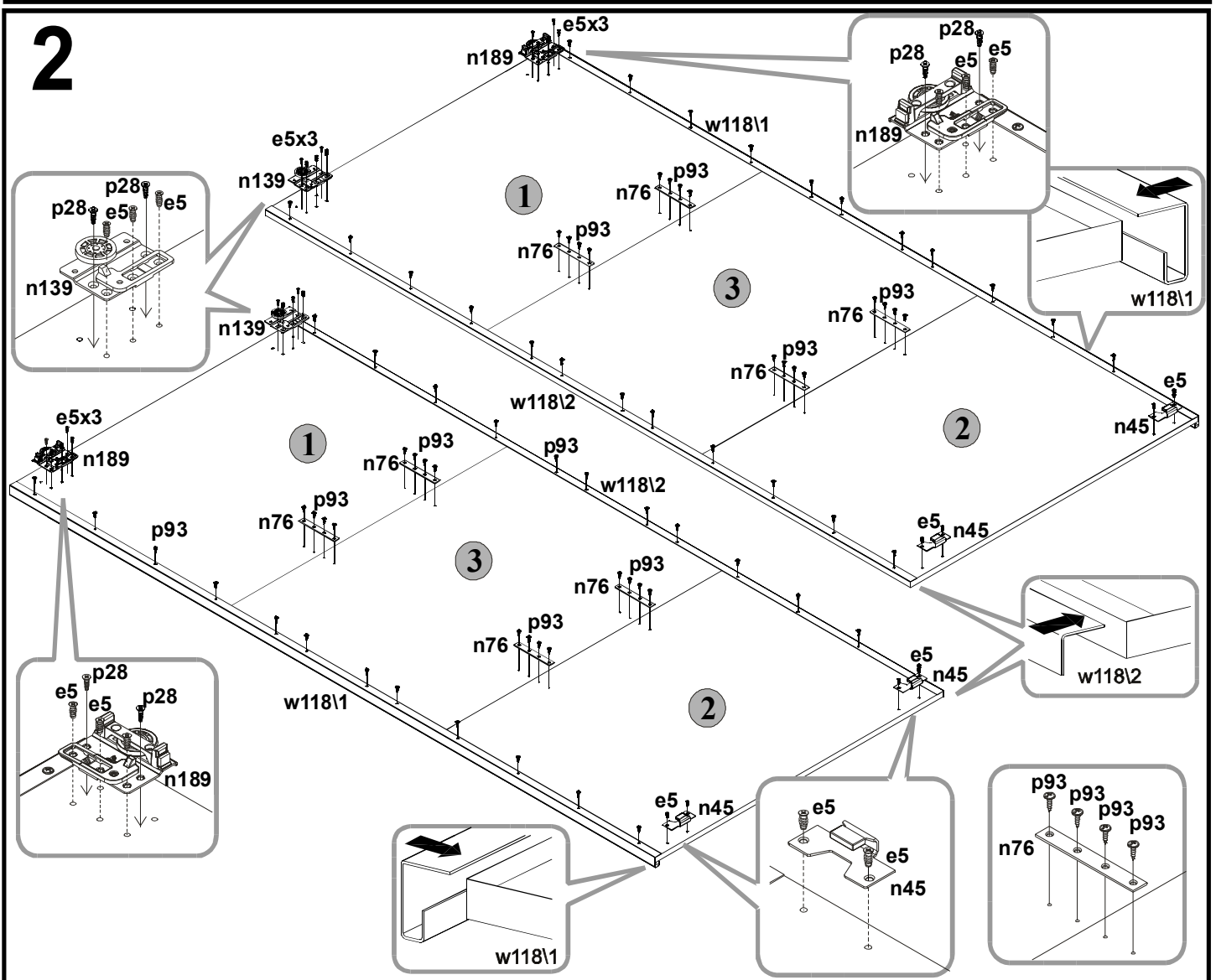
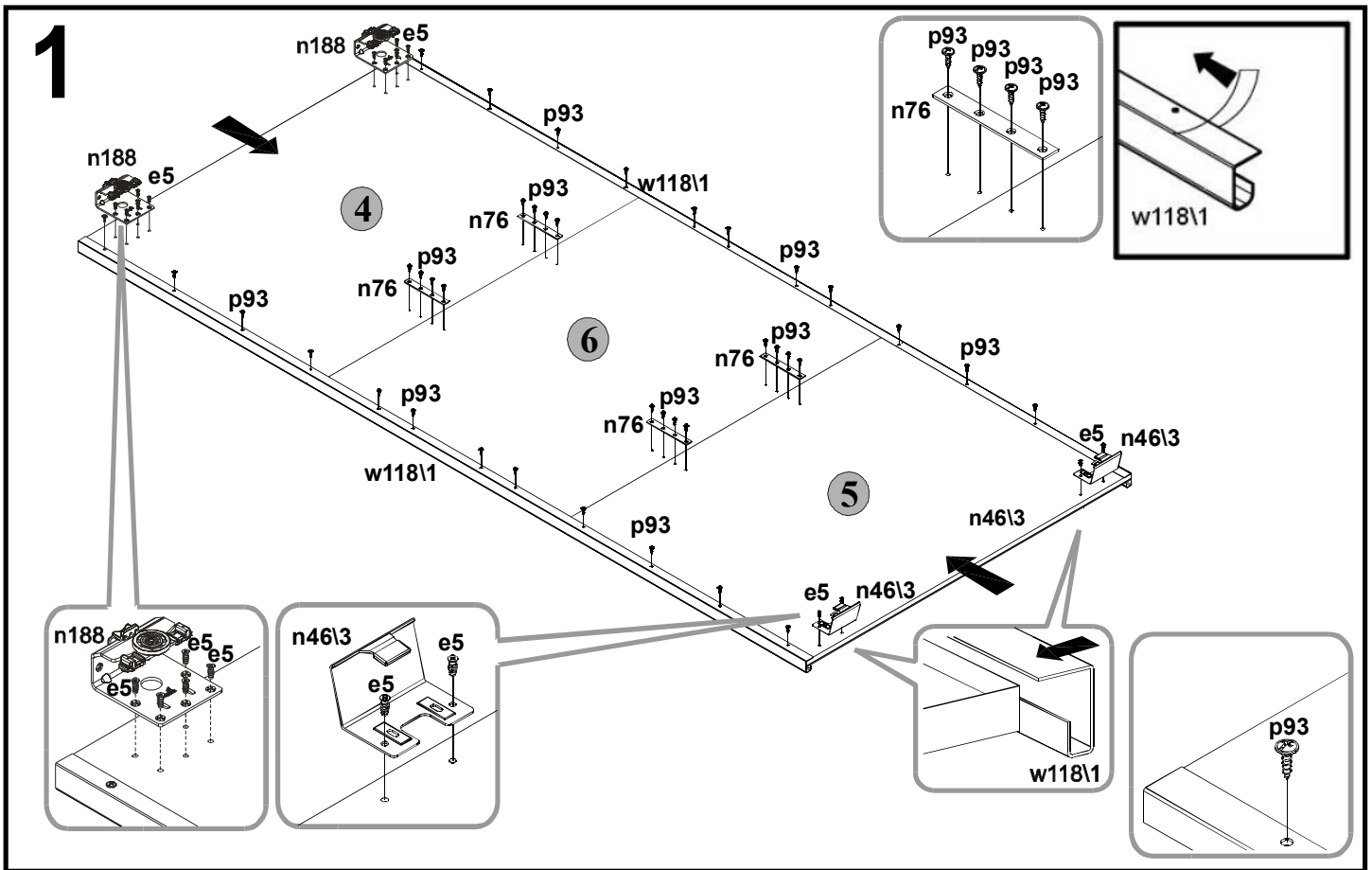


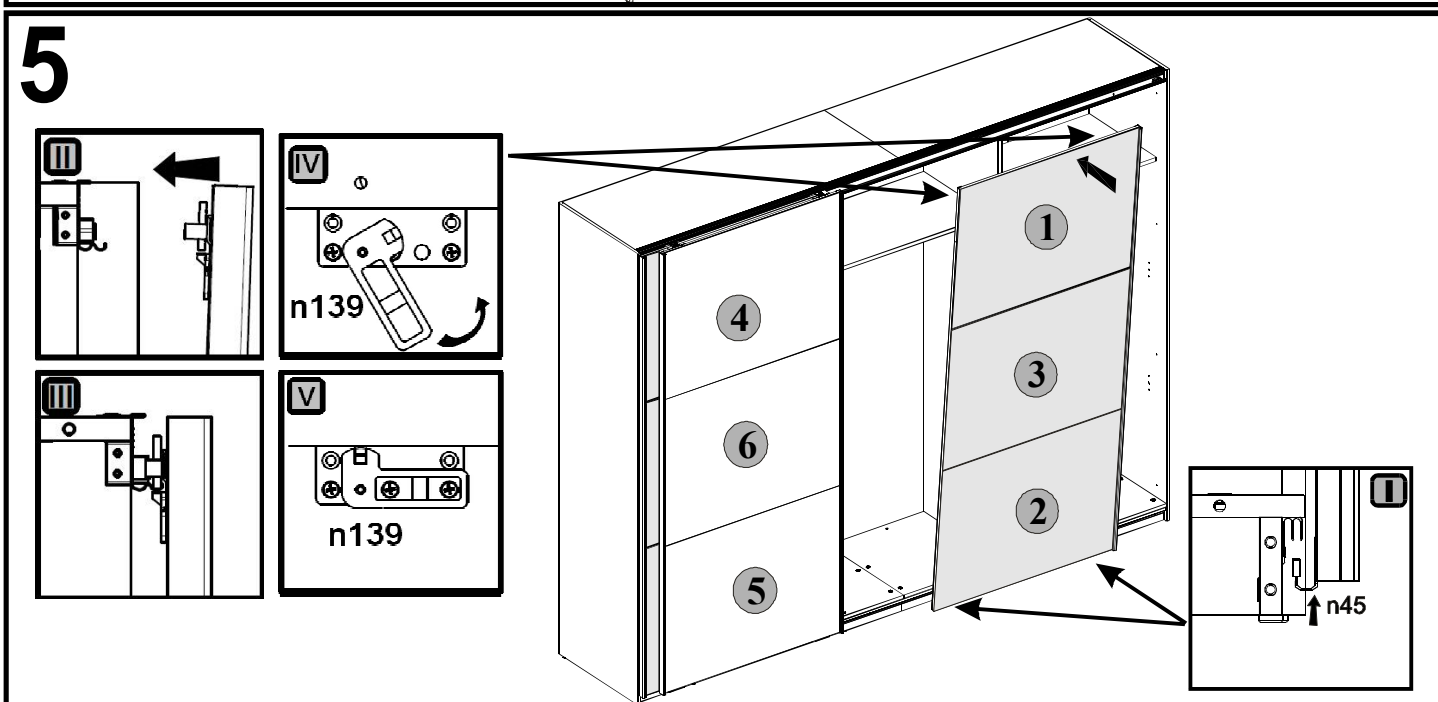
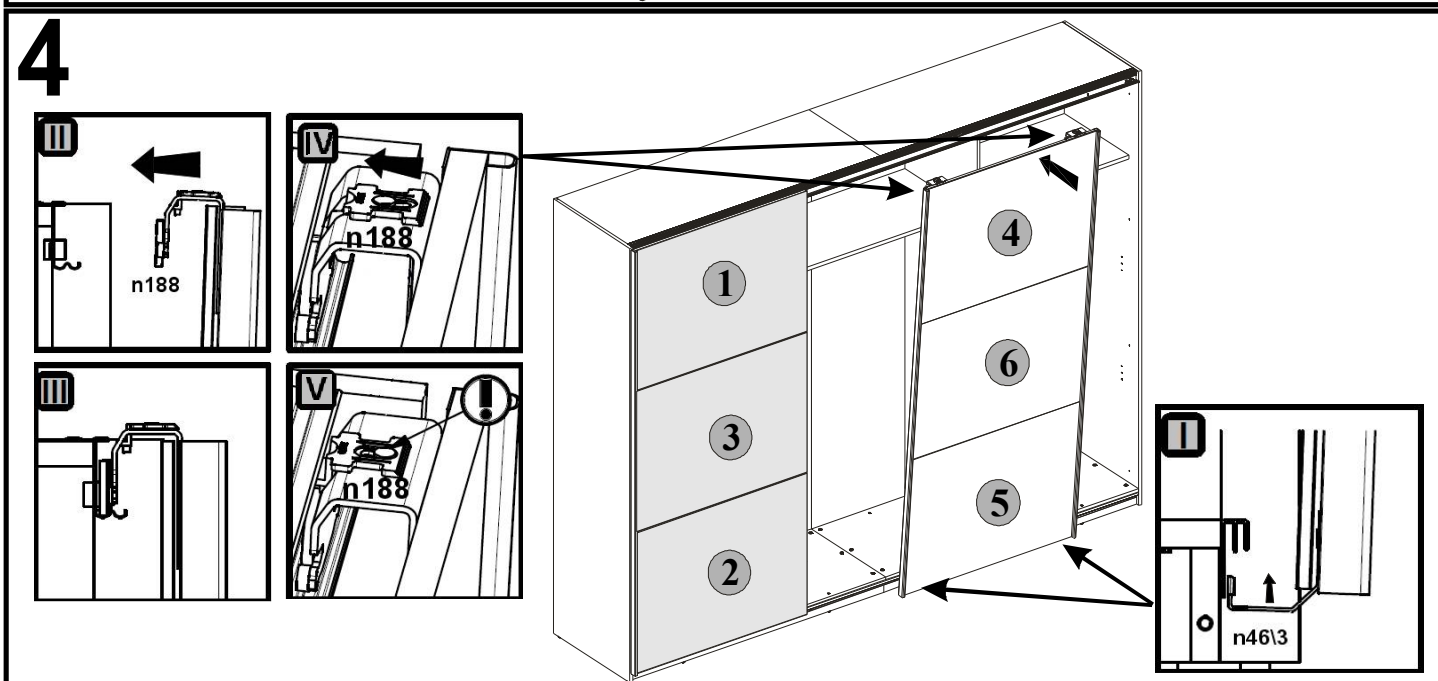
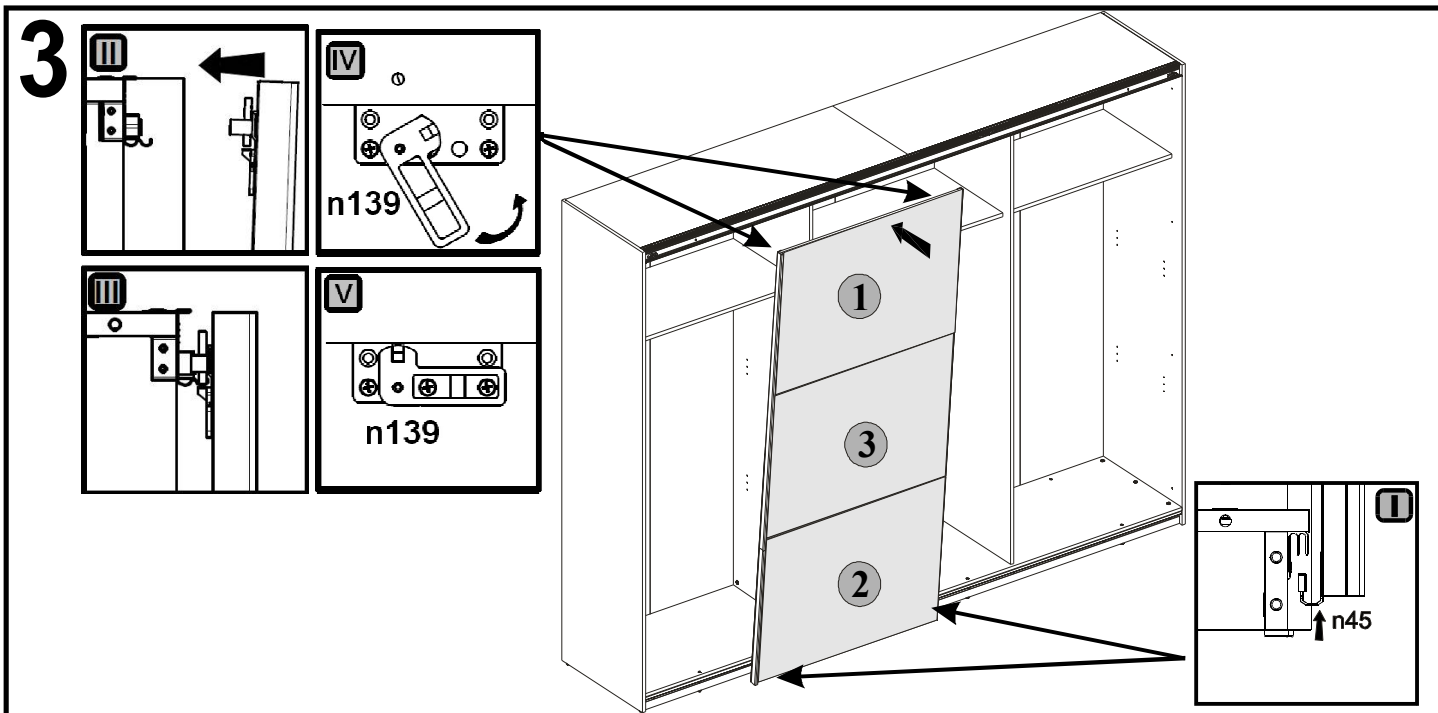
F27-SZF3D/270/210/3
58-043-A3

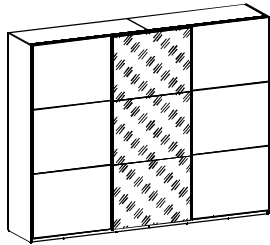


A	B	C	D
1	F27-540F	914x683	4;5/7
2	F27-541F	914x683	4;5/7
3	F27-542F	914x683	4;5/7
4	F27-540K	914x683	6/7
5	F27-541K	914x683	6/7
6	F27-542K	914x683	6/7

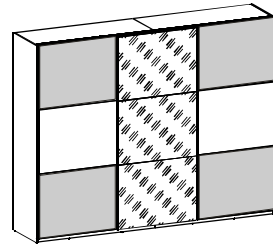




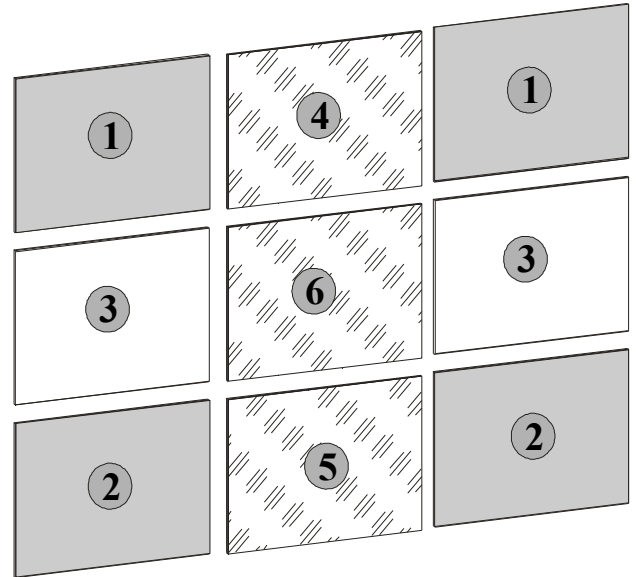
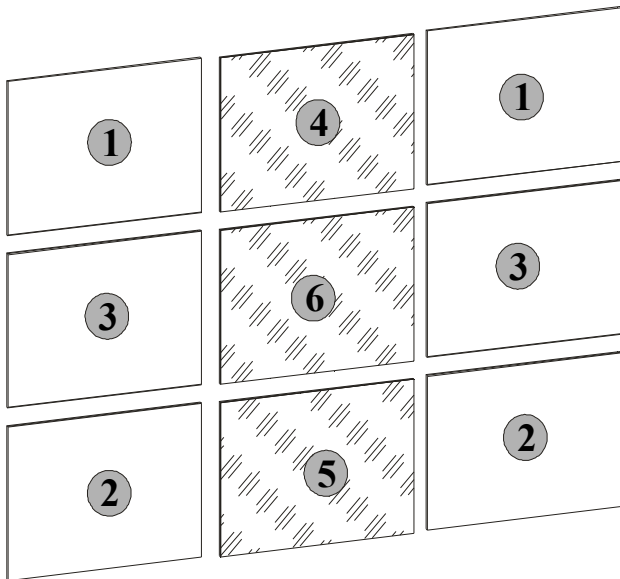




F27-SZF3D/270/210/3M
58-043-A0



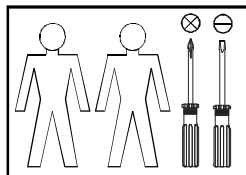
F27-SZF3D/270/210/3M
58-043-68



58-043-A0



A	B	C	D
1	F27-540K	914x683	4;5/7
2	F27-541K	914x683	4;5/7
3	F27-542K	914x683	4;5/7
4	F27-004	914x683	6/7
5	F27-005	914x683	6/7
6	F27-006	914x683	6/7



58-043-68



A	B	C	D
1	F27-540K	914x683	4;5/7
2	F27-541K	914x683	4;5/7
3	F27-542F	914x683	4;5/7
4	F27-004	914x683	6/7
5	F27-005	914x683	6/7
6	F27-006	914x683	6/7

