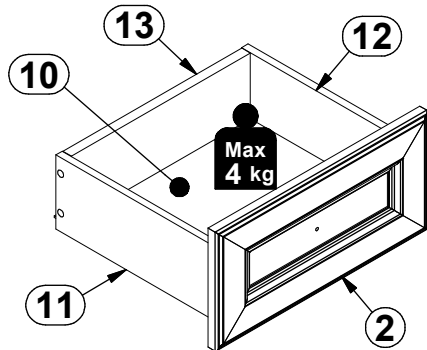
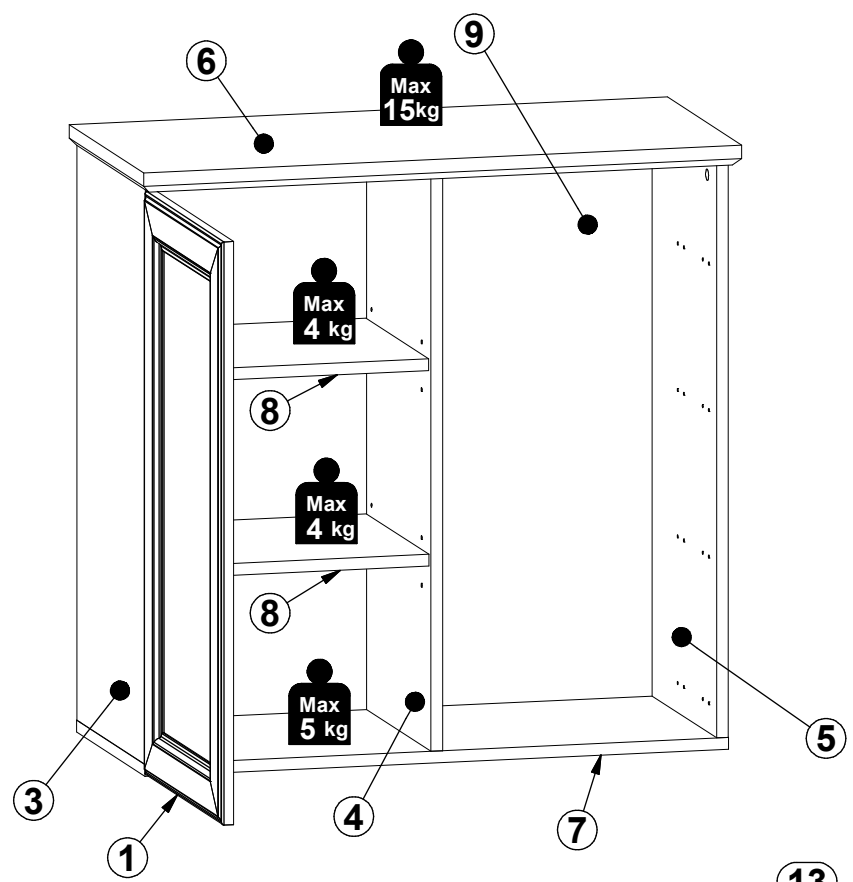


Ø10 mm
Ø 5 mm



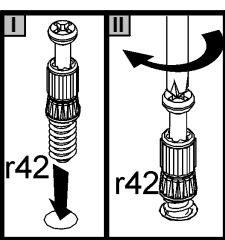
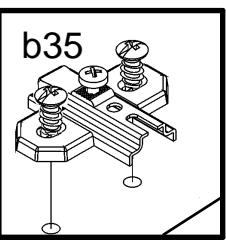
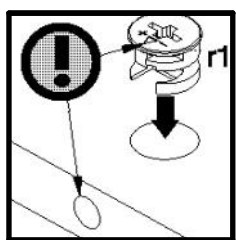
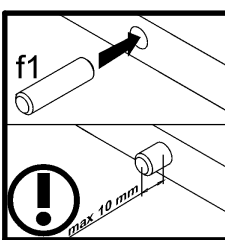
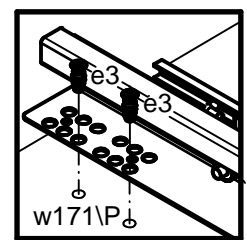
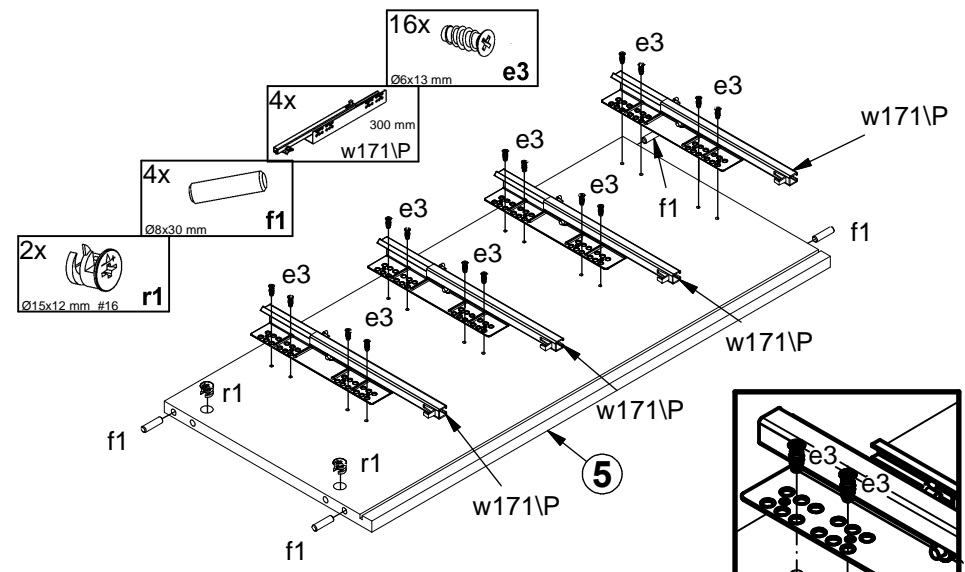
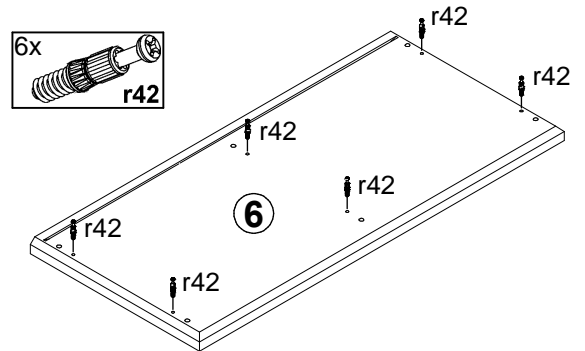
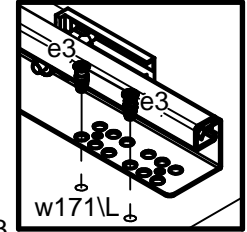
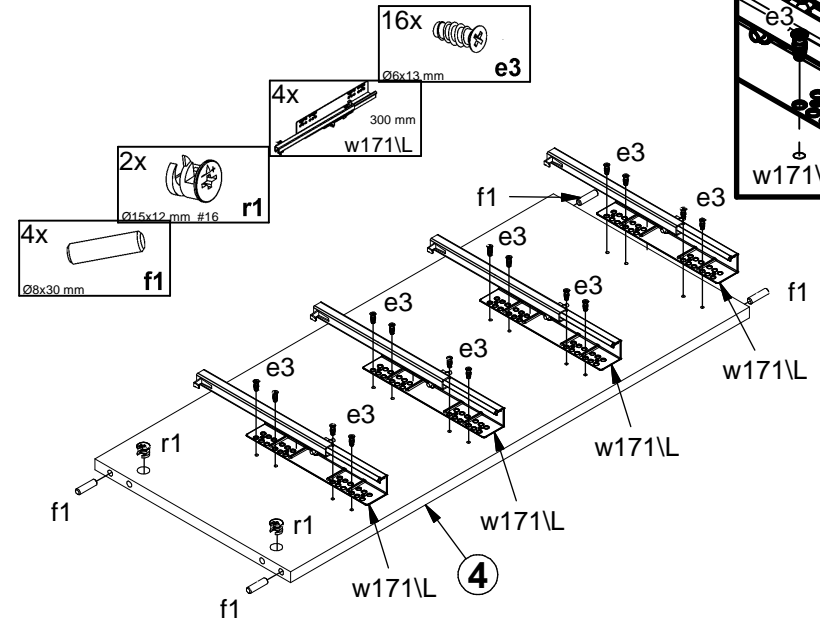
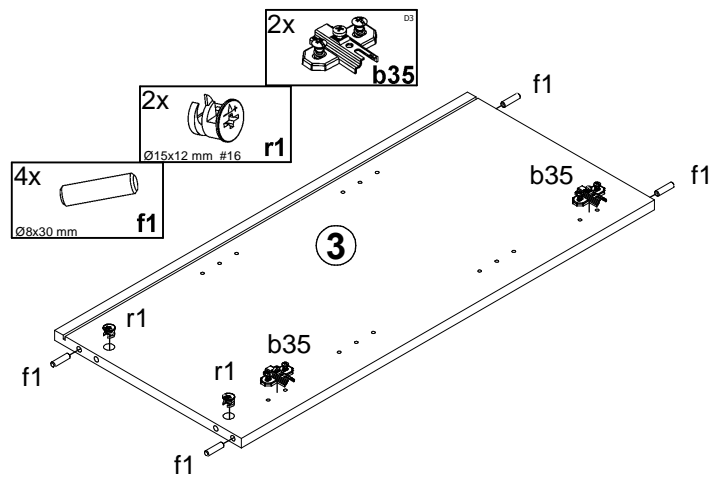
A	B	C1	C2	C3	D
1	S295-0001	784	396	19	1/2
2	S295-0003	193	396	19	1/2
3	S295-1001	773,	350	16	2/2
4	S295-1003	773,	330	16	2/2
5	S295-1005	773,	350	16	2/2
6	S295-2005	820	380	28	1/2
7	S295-2006	800	350	16	1/2
8	S295-3002	375	320	16	2/2
9	S295-9301	783,	777,	2,5	1/2
10	WSP-9109	345	308	2,5	2/2
11	WSQ3-503	300	120	12,	2/2
12	WSQ3-504	300	120	12,	2/2
13	WTQ-5268	335	107	16	2/2

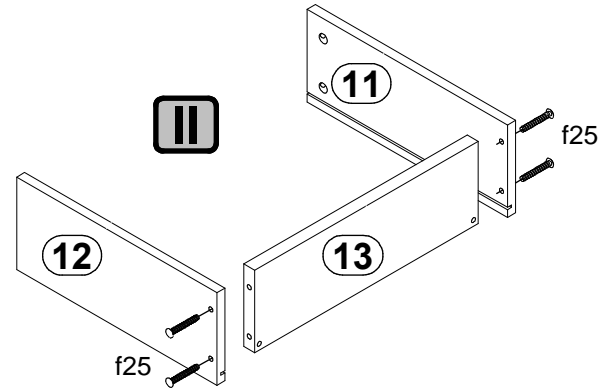
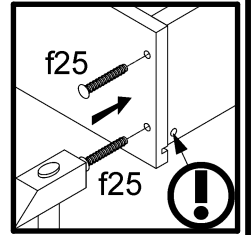
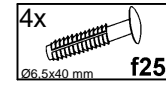
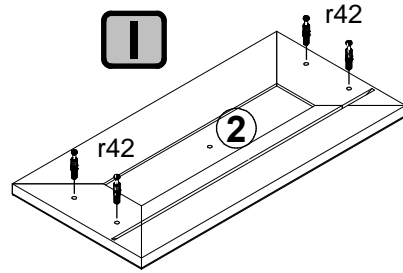
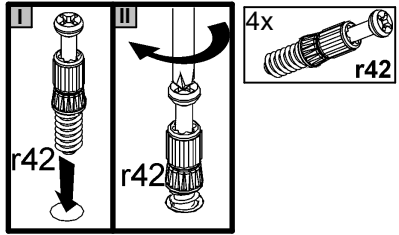
2x a44	2x b35	5x c488
8x d1 Ø5x17 mm	6x e1 Ø7x50 mm	32x e3 Ø6x13 mm
12x f1 Ø8x30 mm	16x f25 Ø6,5x40 mm	5x k27
8x l2	5x n108 20x13x3,5/1	12x p38 Ø3,5x16 mm
4x p51 Ø3,5x15 mm	5x p131 Ø4x16 mm	13x p55 Ø2,9x16 mm
6x r1 Ø15x12 mm #16	16x r15 Ø12x10,5 mm #12	22x r42
2x s2 Ø16	4x 300 mm w171L	4x 300 mm w171P
1x z1		



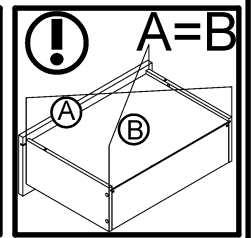
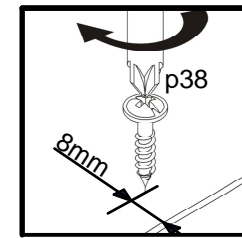
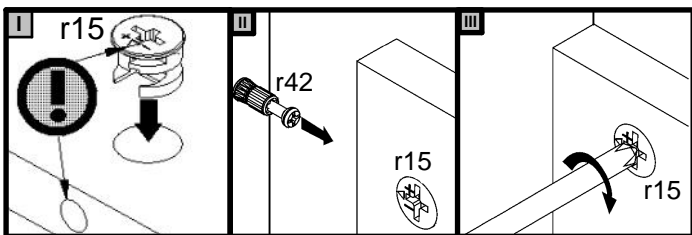
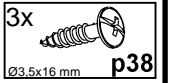
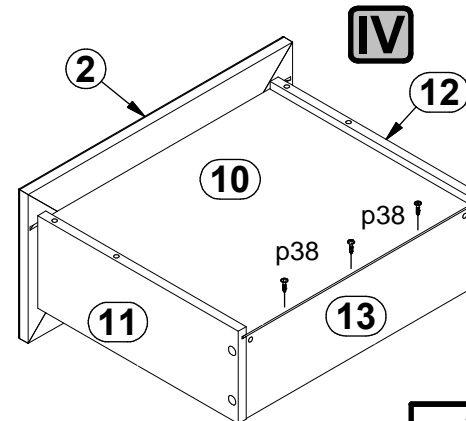
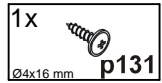
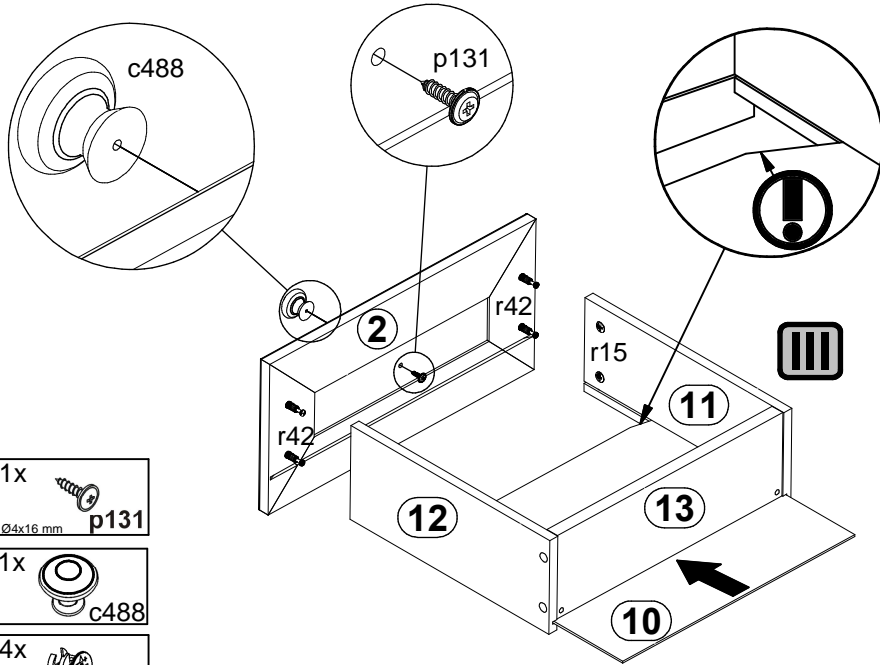
1x f35 Ø10x50 mm	1x n142 86x21x12/1,5	1x p17 Ø5x60 mm	2x p38 Ø3,5x16 mm
------------------------	----------------------------	-----------------------	-------------------------

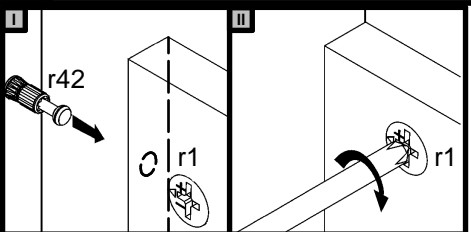
1



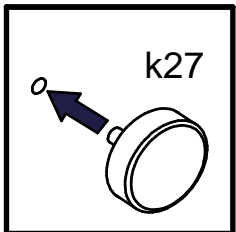
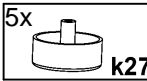
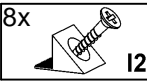
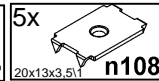
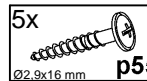
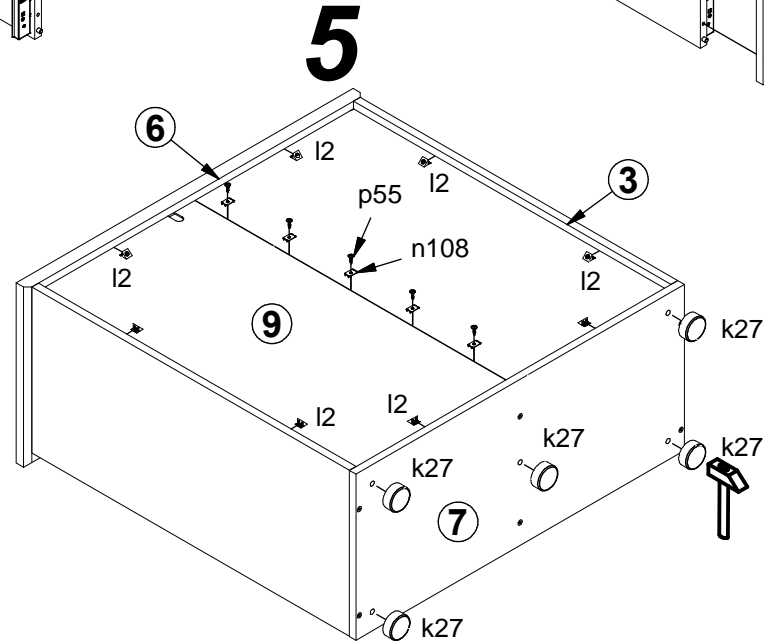
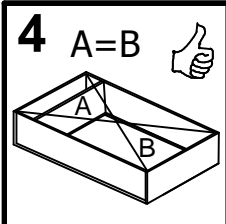
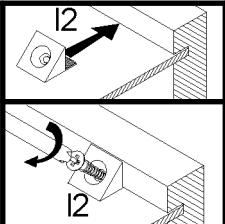
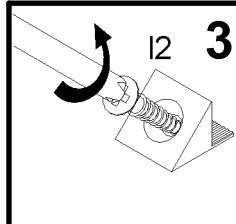
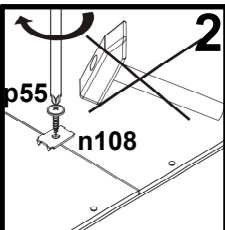
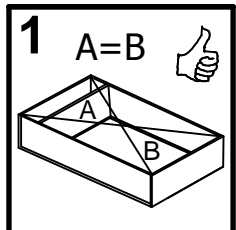
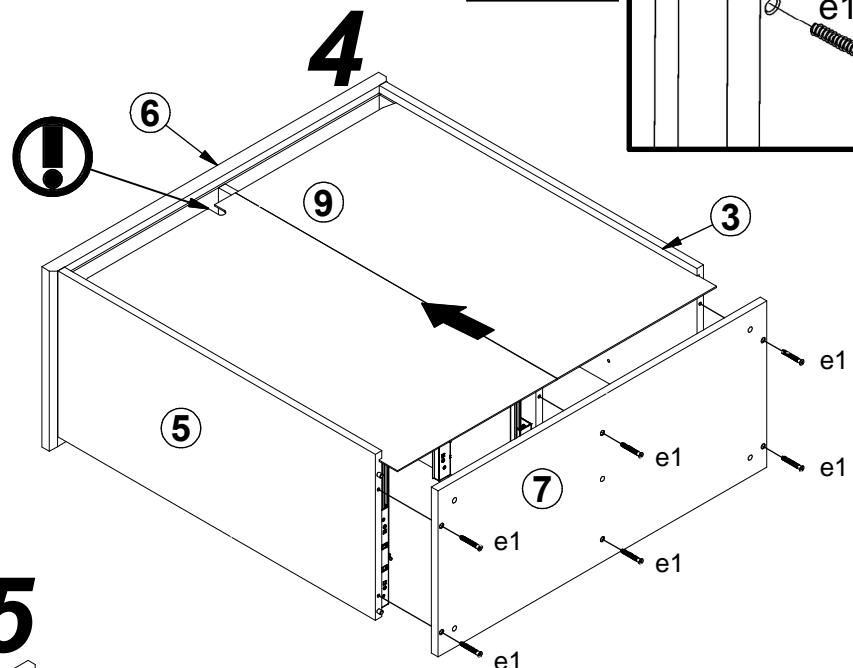
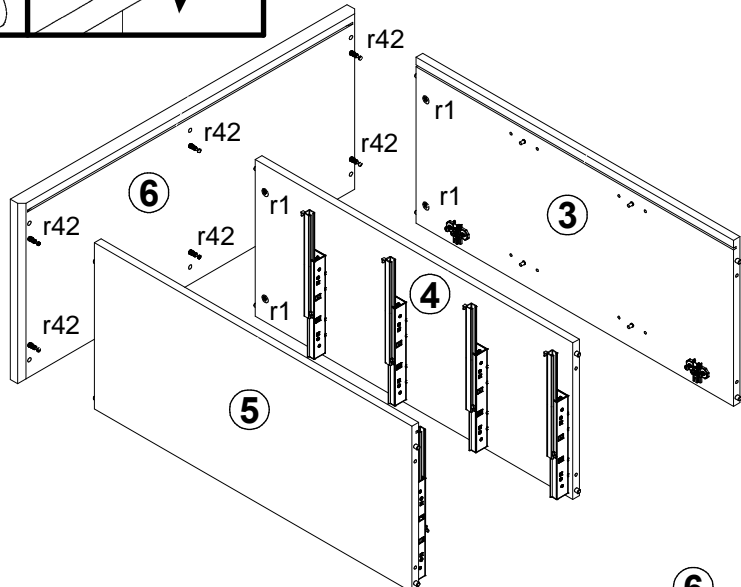
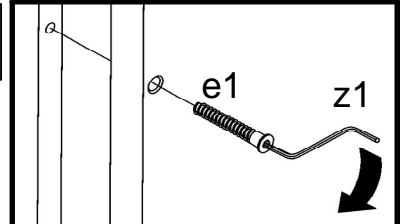
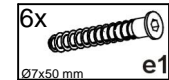


4x

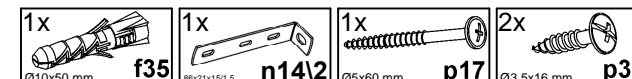
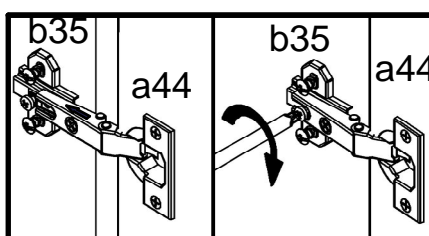
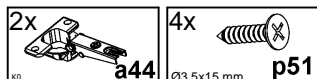
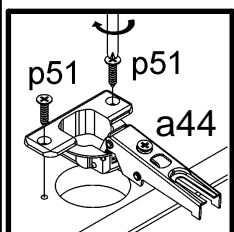
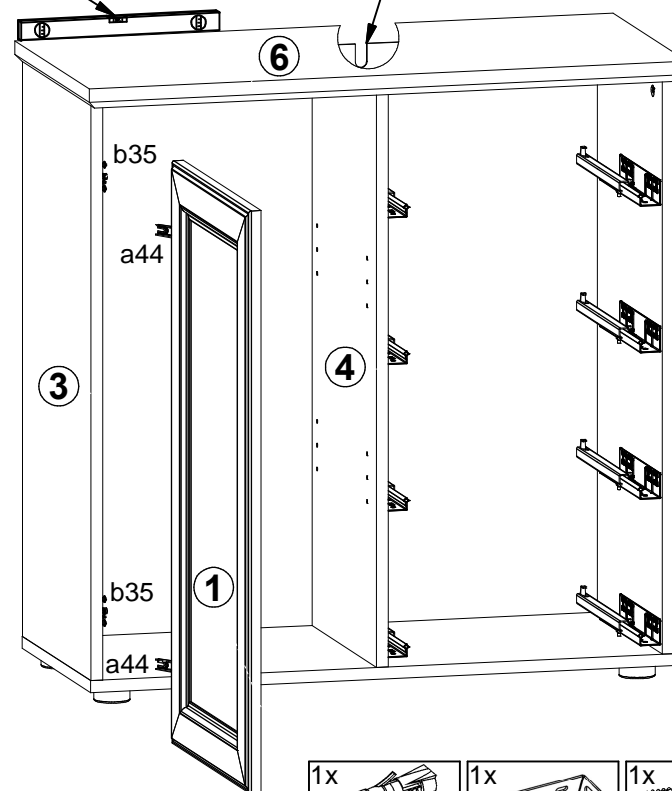
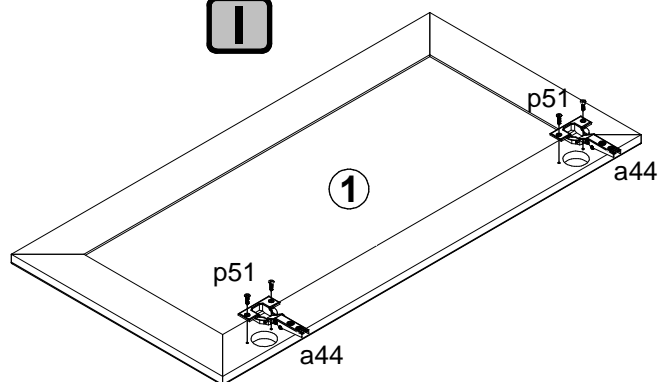
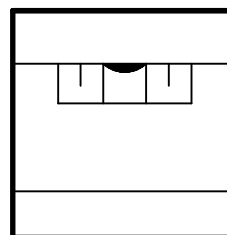
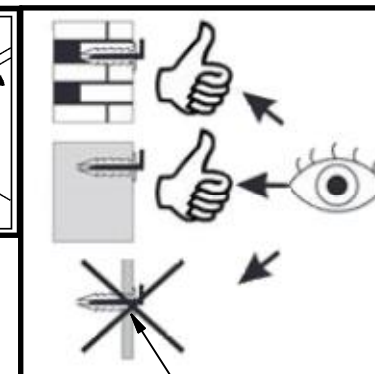
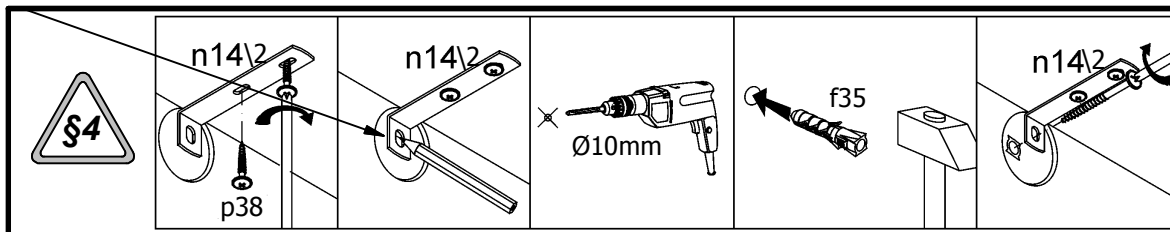




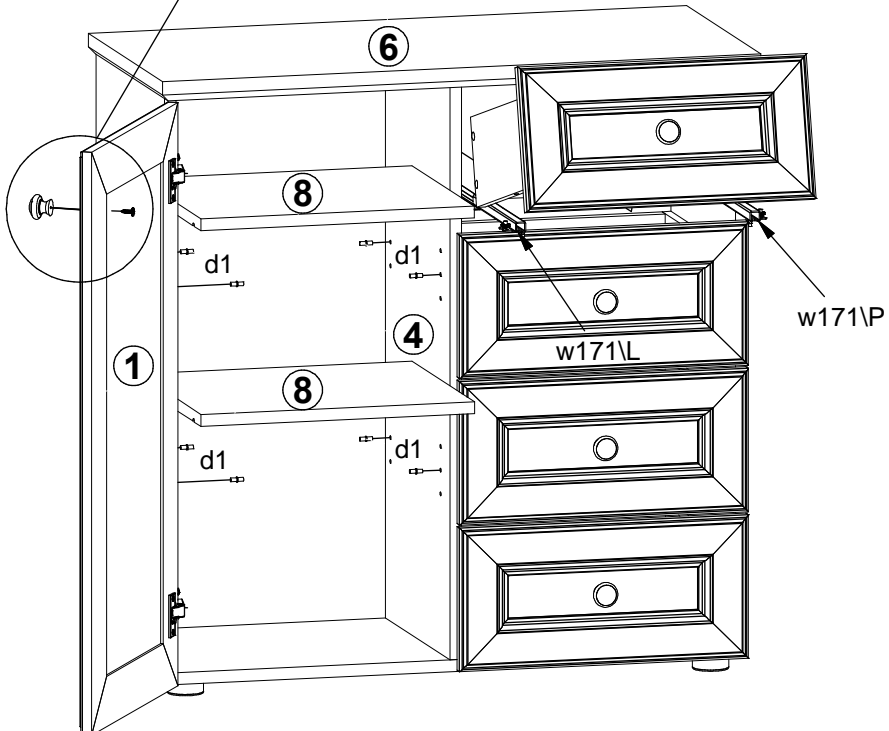
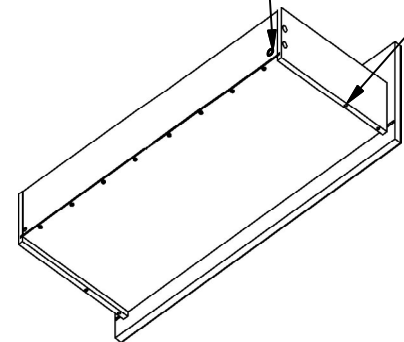
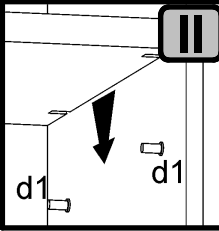
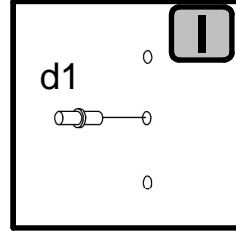
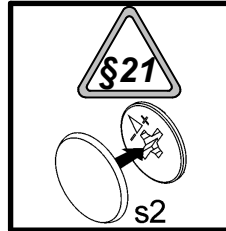
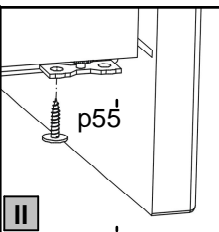
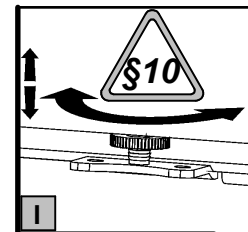
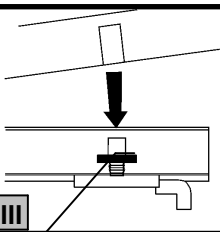
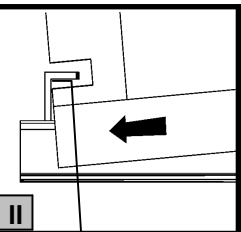
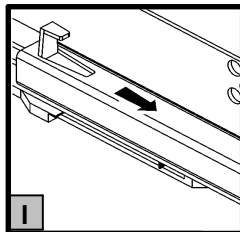
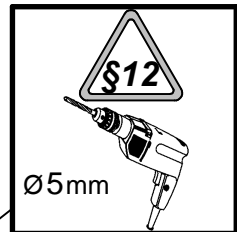
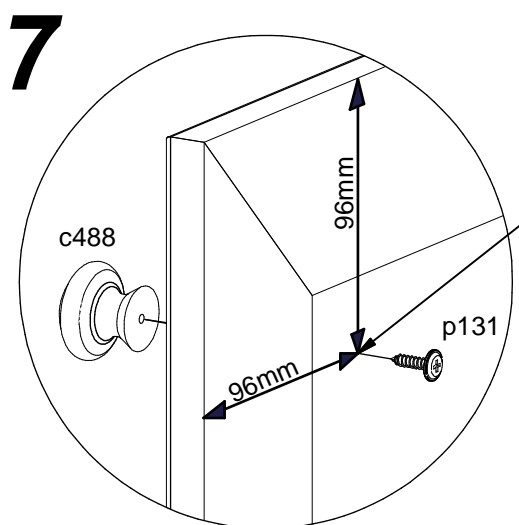
3



6



7



- 2x s2
Ø16
- 8x p55
Ø2.9x16 mm
- 8x d1
Ø5x17 mm
- 1x c488
- 1x p131
Ø4x16 mm

