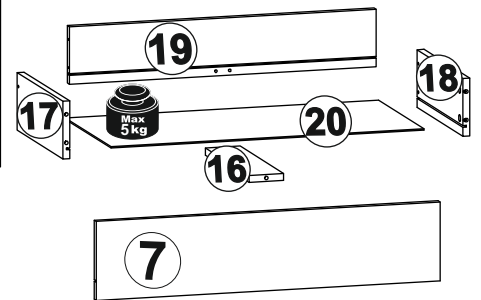
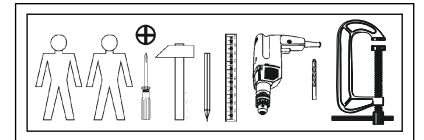
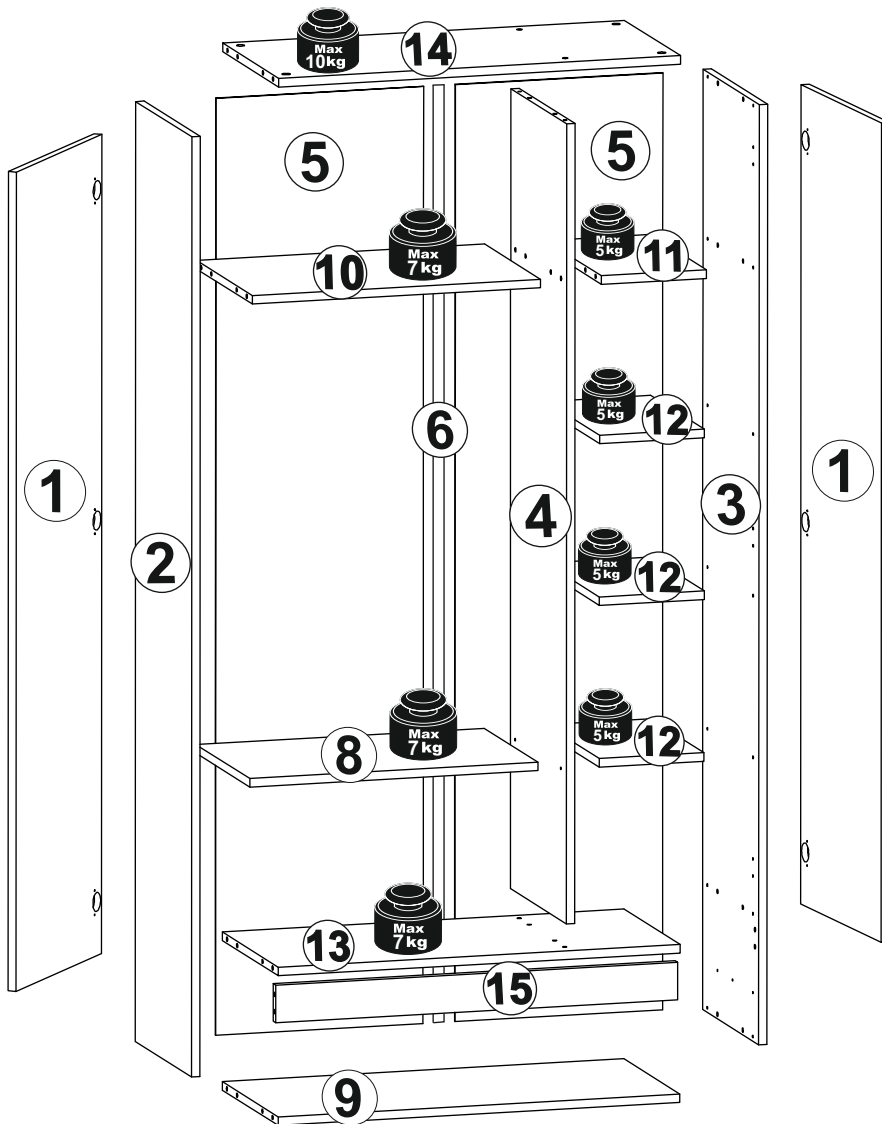
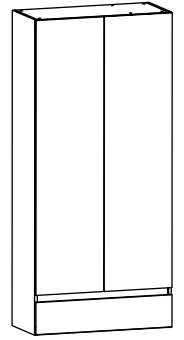
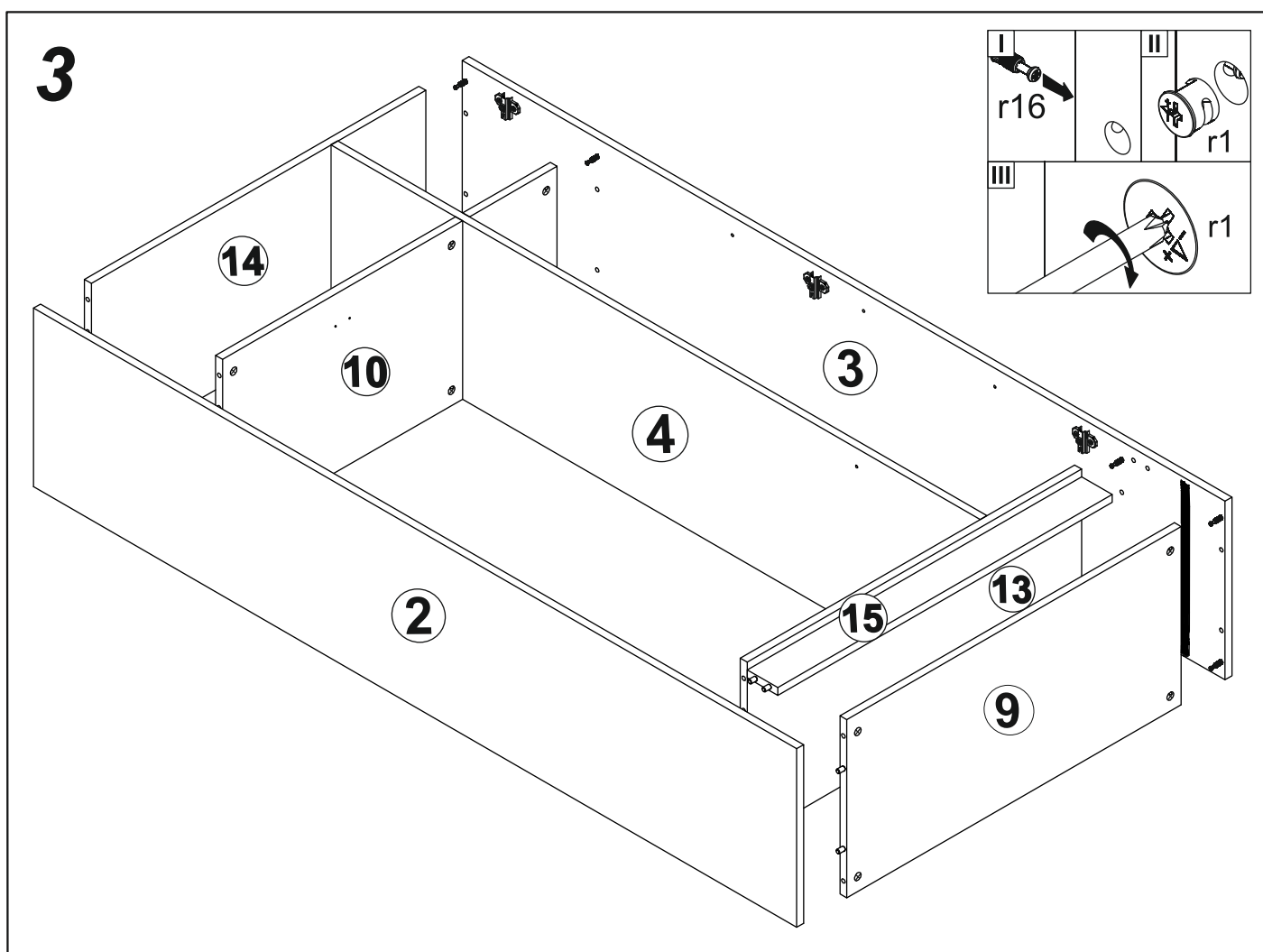
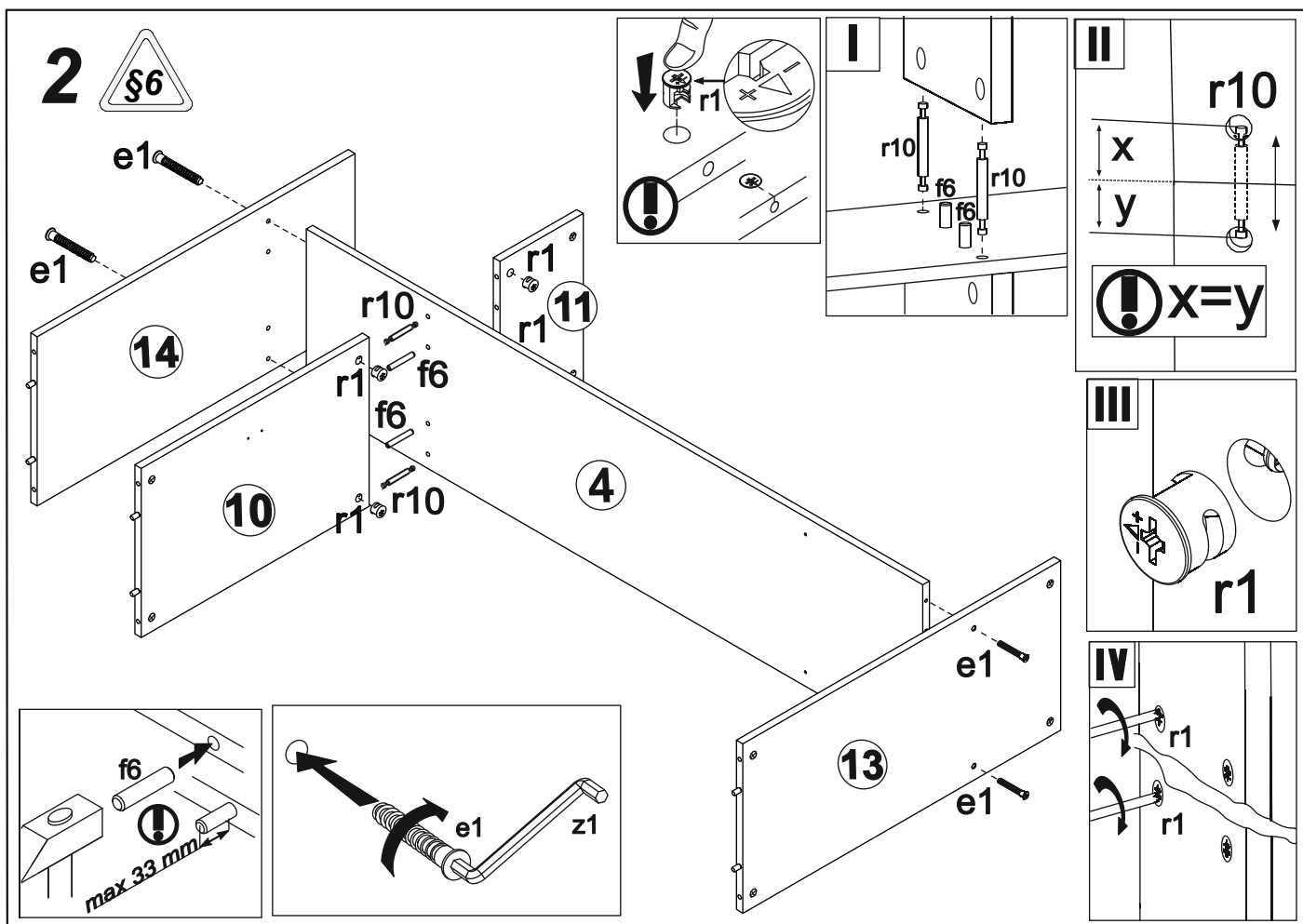


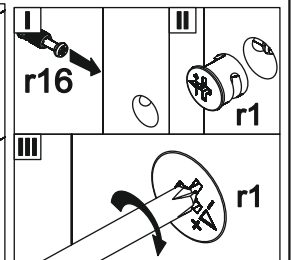
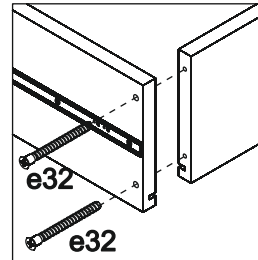
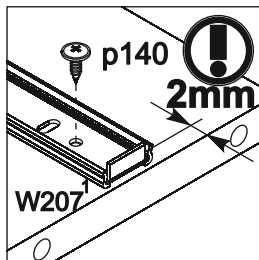
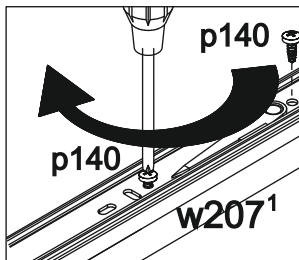
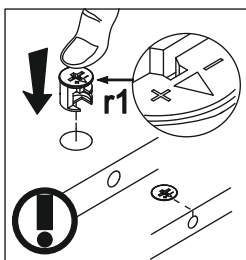
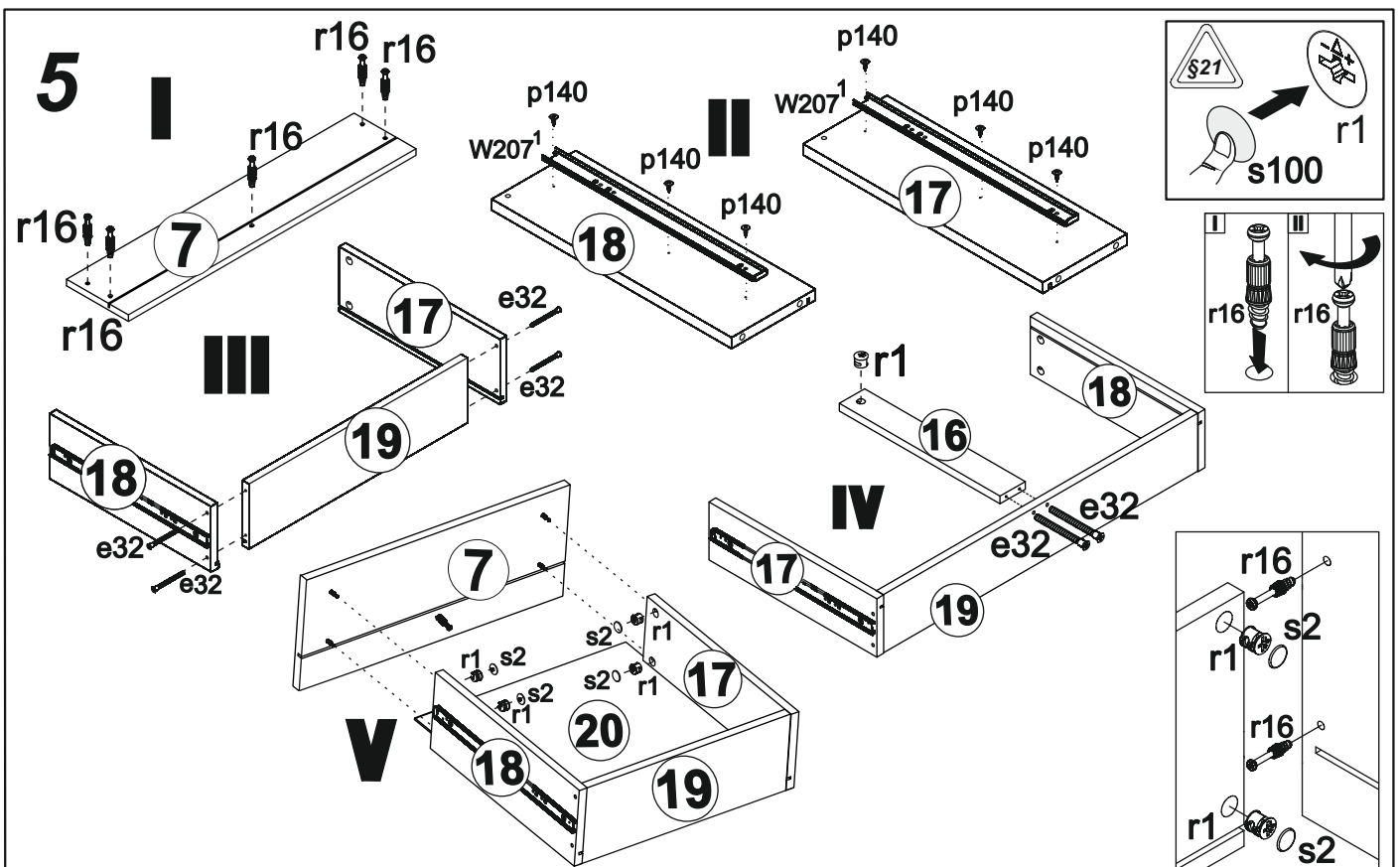
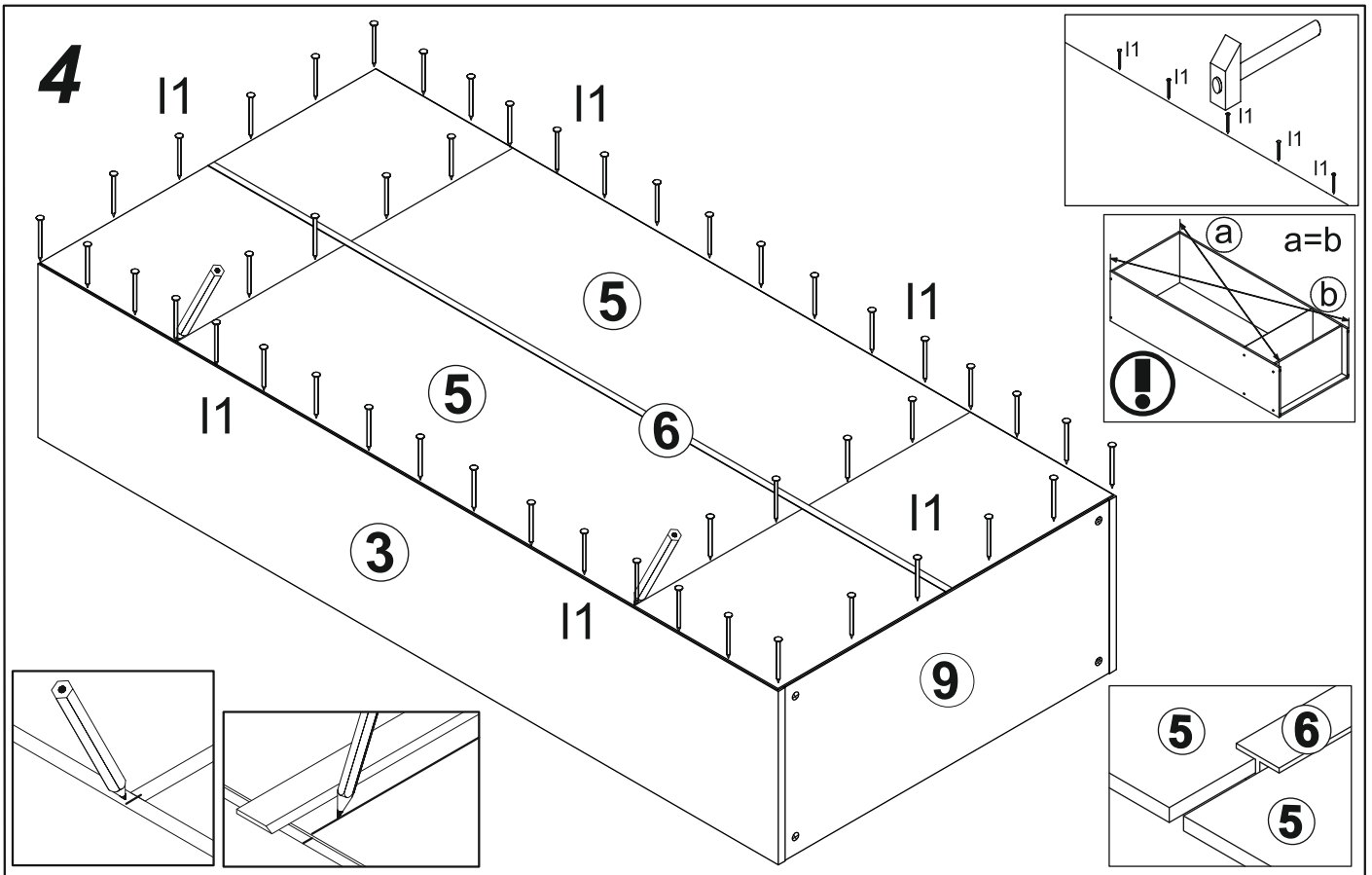
A	B	C	D	A	B	C	D		
1	AB1 - 001	1525	396	1/2	11	AB1 - 313	201	354	2/2
2	AB1 - 101	1750	355	1/2	12	AB1 - 314	200	340	2/2
3	AB1 - 102	1750	355	1/2	13	AB1 - 315	767	354	2/2
4	AB1 - 110	1488	354	1/2	14	AB1 - 316	767	354	2/2
5	AB1 - 902	1744	396	1/2	15	AB1 - 401	767	70	2/2
6	LH - 1716	1716	14	1/2	16	AB1 - 405	333	80	2/2
7	AB1 - 002	795	178	2/2	17	AB1 - 551	350	130	2/2
8	AB1 - 301	550	340	2/2	18	AB1 - 552	350	130	2/2
9	AB1 - 302	767	354	2/2	19	AB1 - 553	709	130	2/2
10	AB1 - 303	550	354	2/2	20	AB1 - 901	724	349	2/2



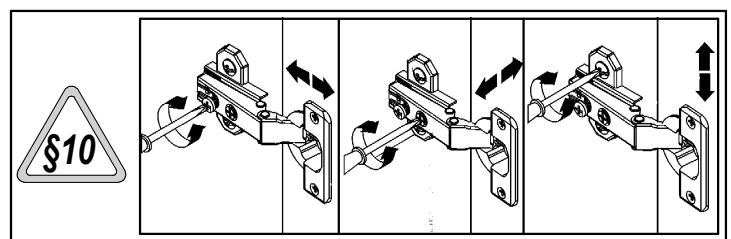
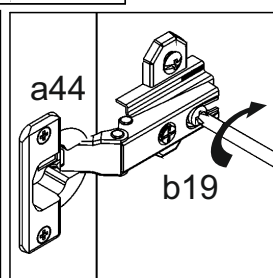
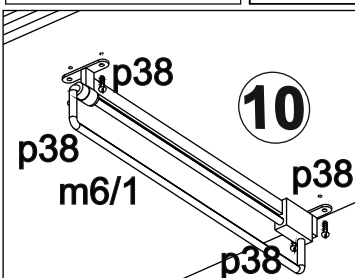
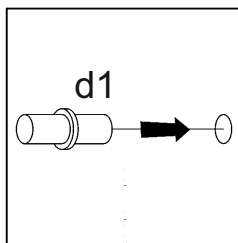
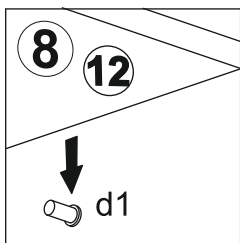
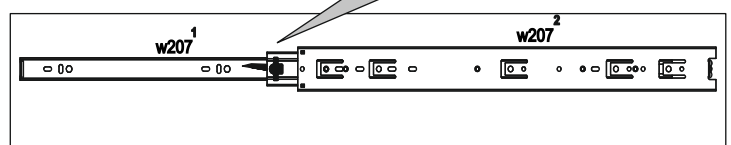
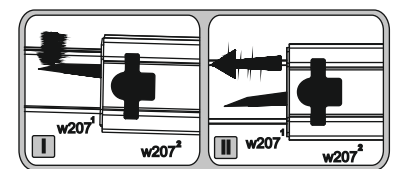
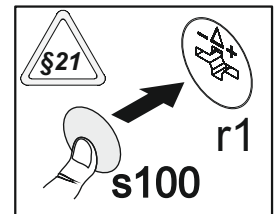
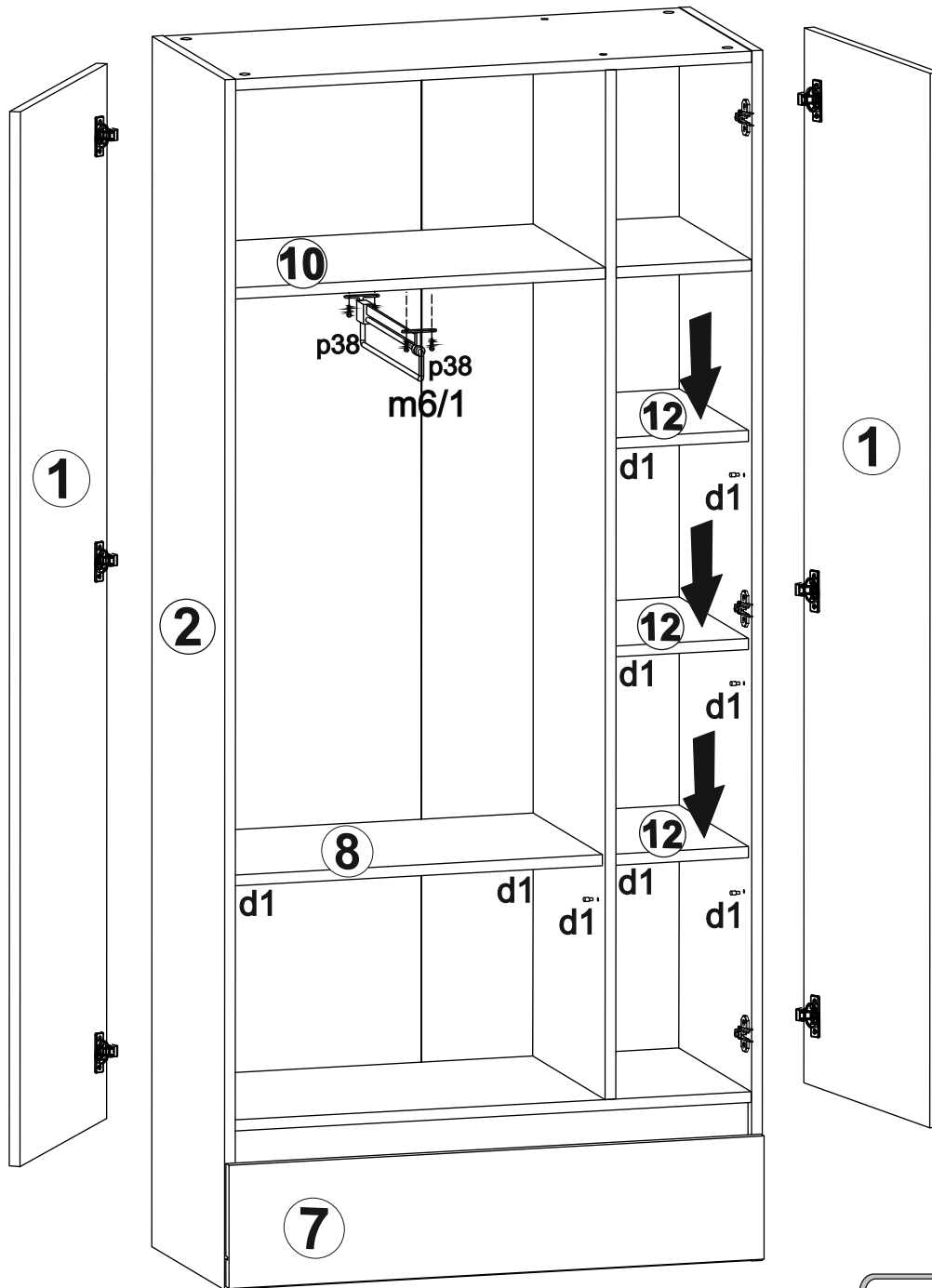
25x φ15x12mm #16 <b>r1</b>	21x 20/9 <b>r16</b>	12x ø20 s100	24x φ8x30 mm <b>f1</b>	66x <b>l1</b>	12x φ3,5x15 mm <b>p51</b>	6x φ3,5x12 mm <b>p140</b>
4x φ7x50 mm <b>e1</b>	1x <b>z1</b>	6x ko <b>a44</b>	6x D5 <b>b19</b>	16x φ5x17 mm <b>d1</b>	4x φ3,5x16 mm <b>p38</b>	2x φ8x50 mm <b>f6</b>
2x <b>r10</b>	2x φ3,5x13 mm <b>p5</b>	2x 350 <b>w207/1</b>	2x 350 <b>w207/2</b>	6x φ5x50 mm <b>e32</b>	6x φ6x13 mm <b>e3</b>	1x L-300 m6/1
1x 81x21 <b>n14</b>	4x M4x12 mm <b>j45<sup>1</sup></b>	2x <b>j45<sup>2</sup></b>				1x 





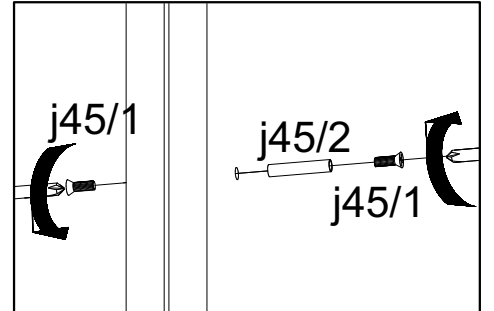
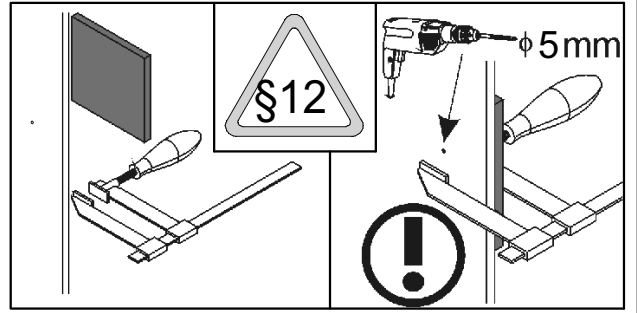
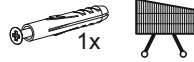


# 6

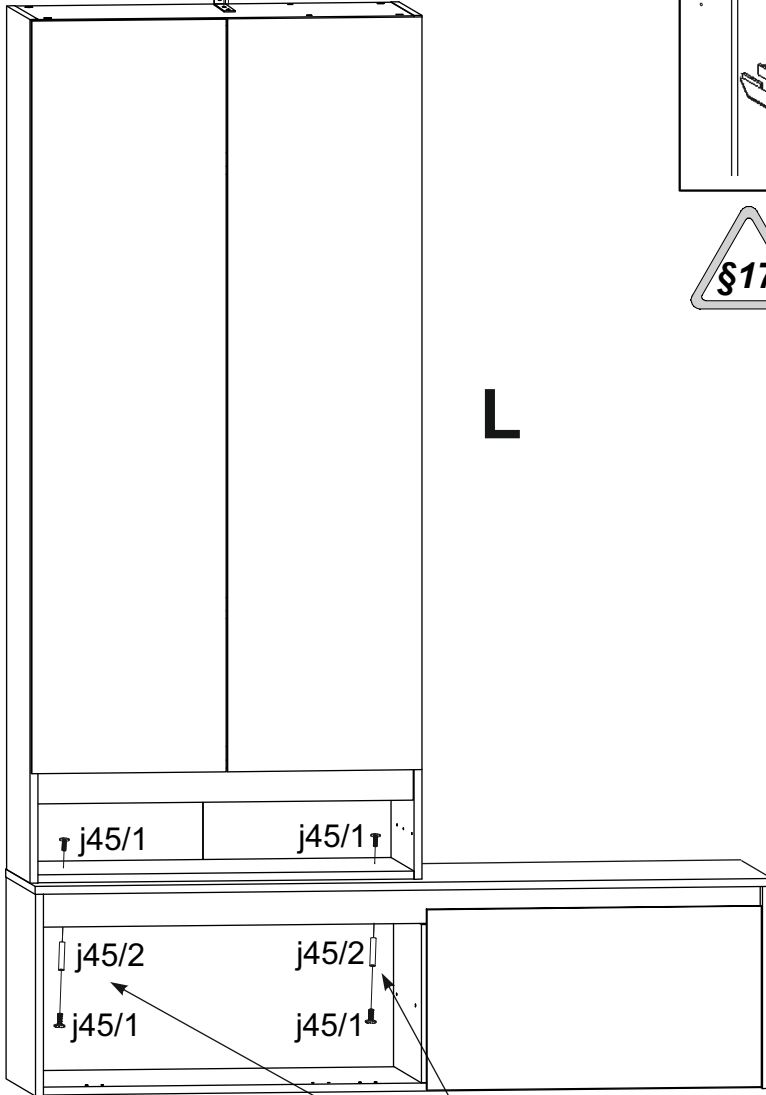


7

p5  
n14 p5



L



p5  
n14 p5



ø5mm

R

