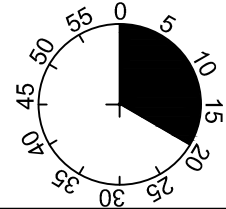
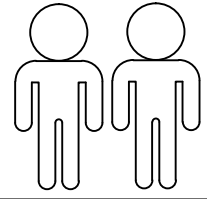
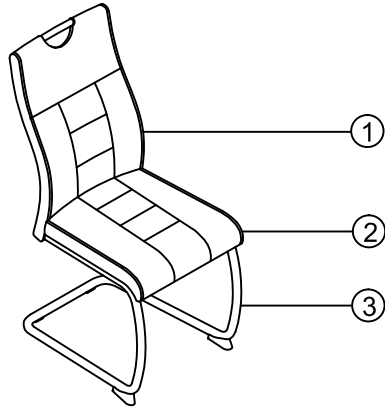


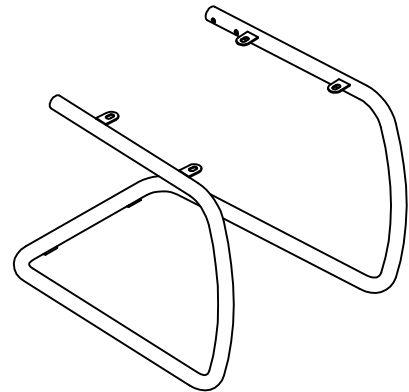
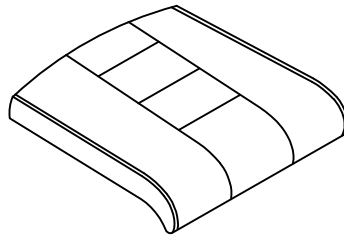
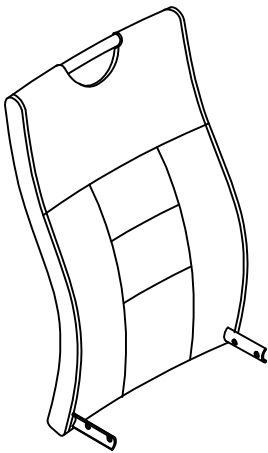
# ALANI



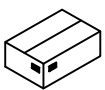
1

2

3



1	1x
2	1x
3	1x

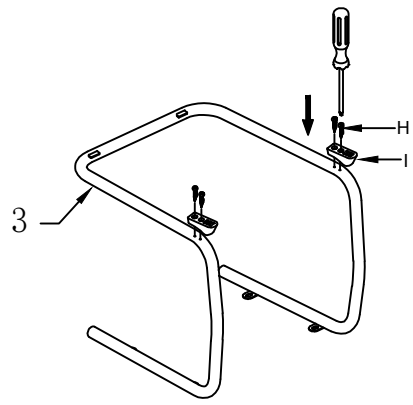


1/1

<b>A</b>	M6X20	<b>B</b>	M8x20	<b>C</b>	Ø18xØ8x1.5	<b>D</b>	Ø18xØ6x1.5	<b>E</b>	M8	<b>F</b>	4MM
	4x		4x		4x		4x		4x		1x
<b>G</b>	6MM	<b>H</b>	M4x20	<b>I</b>							
	1x		4x		2x						

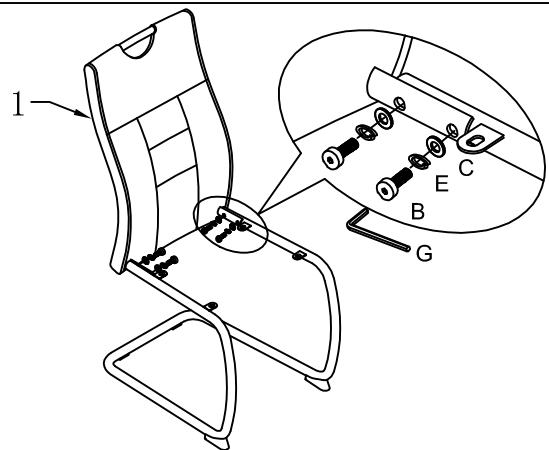
I.

1



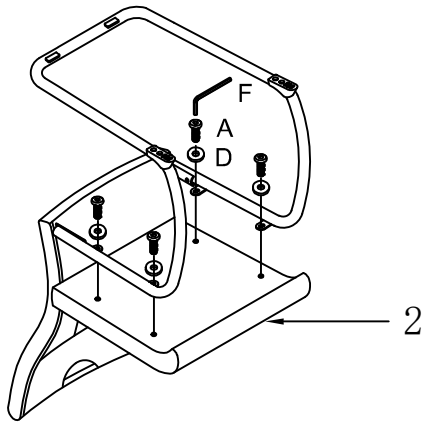
- H M4x20  
4x
- I  
2x
- 100%

2



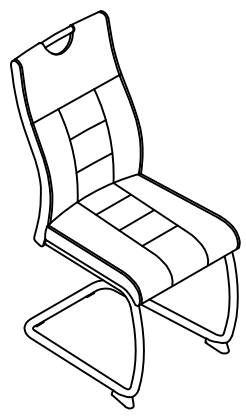
- B M8x20  
4x
- C Ø18xØ8x1.5  
4x
- E M8  
4x
- G 6MM  
1x
- 75%

3



- A M6x20  
4x
- D Ø18xØ6x1.5  
4x
- F 4MM  
1x
- 75%

4



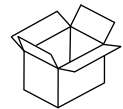
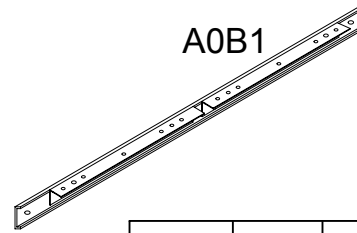
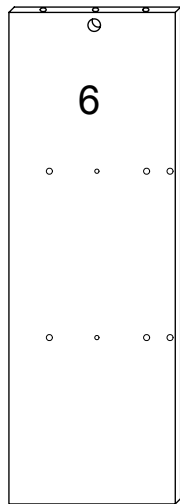
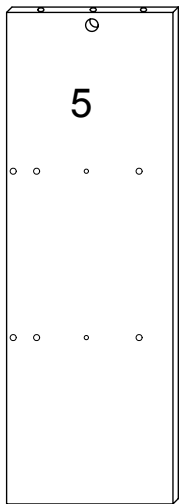
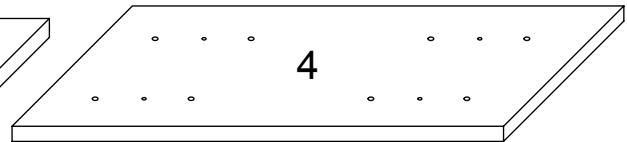
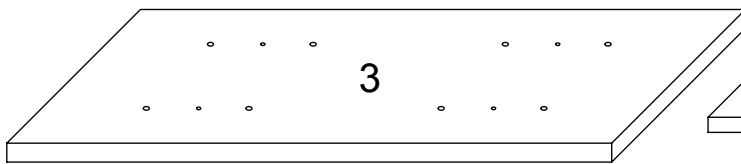
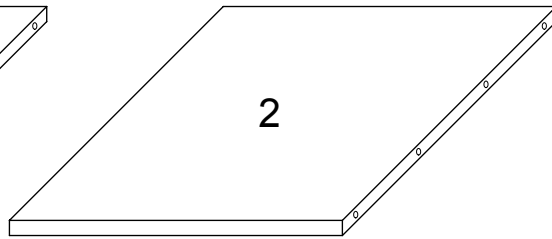
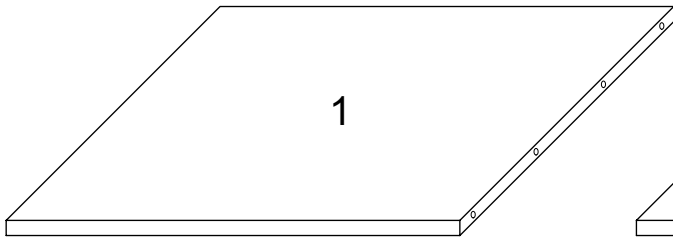
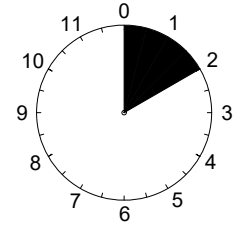
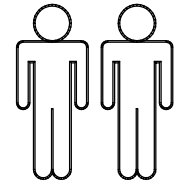
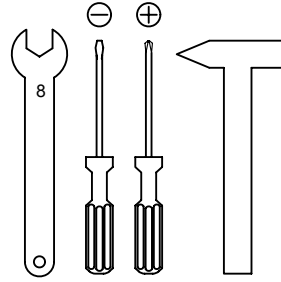
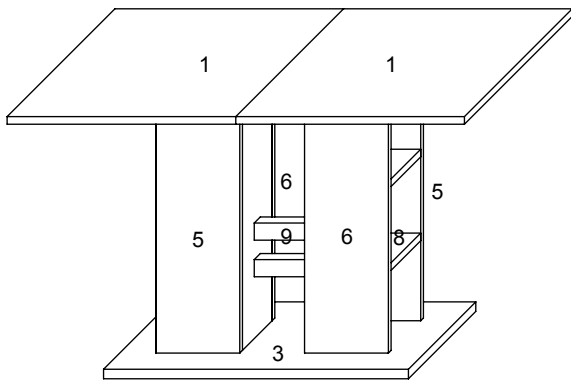
- F 4MM  
1x
- G 6MM  
1x
- 100%



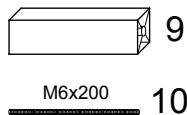
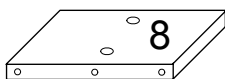
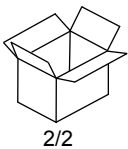
**LE TRI + FACILE**



Séparez les éléments avant de trier



1	2x	800x600x25	1/2
2	1x	800x400x25	1/2
3	1x	800x500x25	2/2
4	1x	650x490x18	2/2
5	2x	650x222x18	2/2
6	2x	650x222x18	2/2
7	2x	650x222x18	2/2
8	4x	222x200x18	2/2
9	2x	174x45x45	2/2
10	2x	L200	2/2
A0B1	2x	680x40x30	2/2

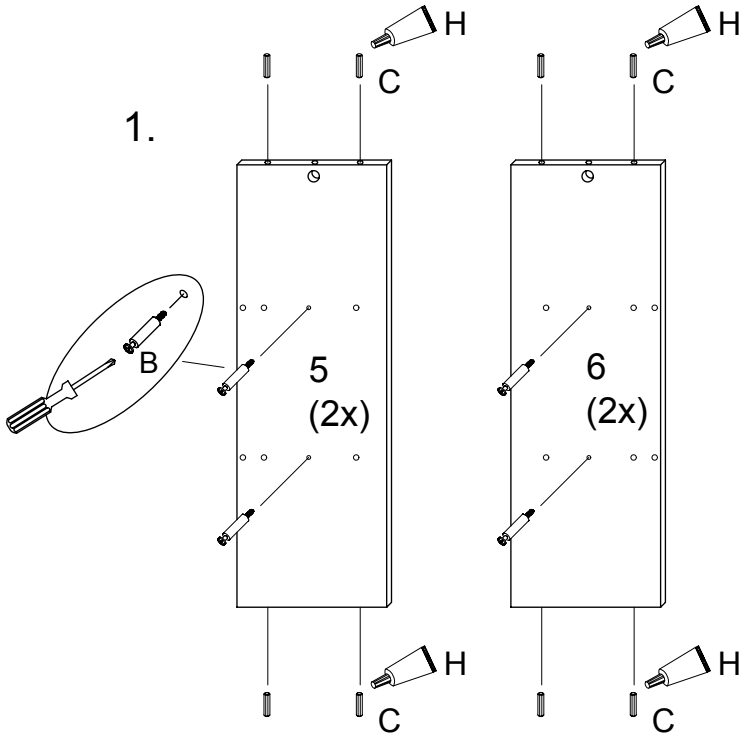


M6x200 10

A	7x50	4x	B	Ø6,5x39	12x	C	Ø8x30	40x	D	Ø15/14,5	12x	E	4mm	2x	F	M6	4x
G	Ø15	12x	H	8x12mm	2x	I	4x15	32x	J	M5x8	8x	K	M5	8x	L	8x	8x
M	8x20mm	8x	N	8x12mm	8x	O	2x		P	Ø18	4x	Q	2x				

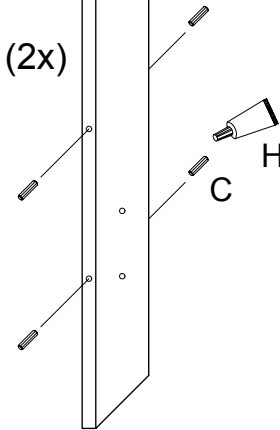
I.

1.



2.

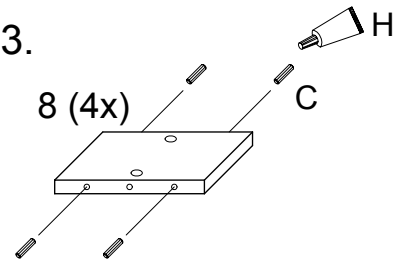
7 (2x)



B	∅6,5x39	8x
C	∅8x30	40x
H		

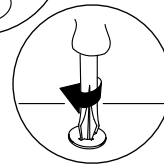
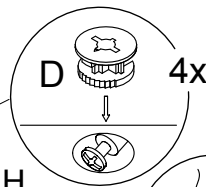
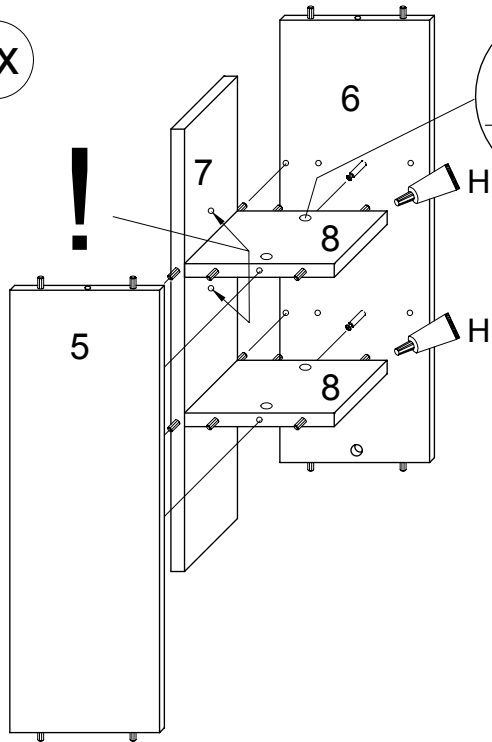
3.

8 (4x)



4.

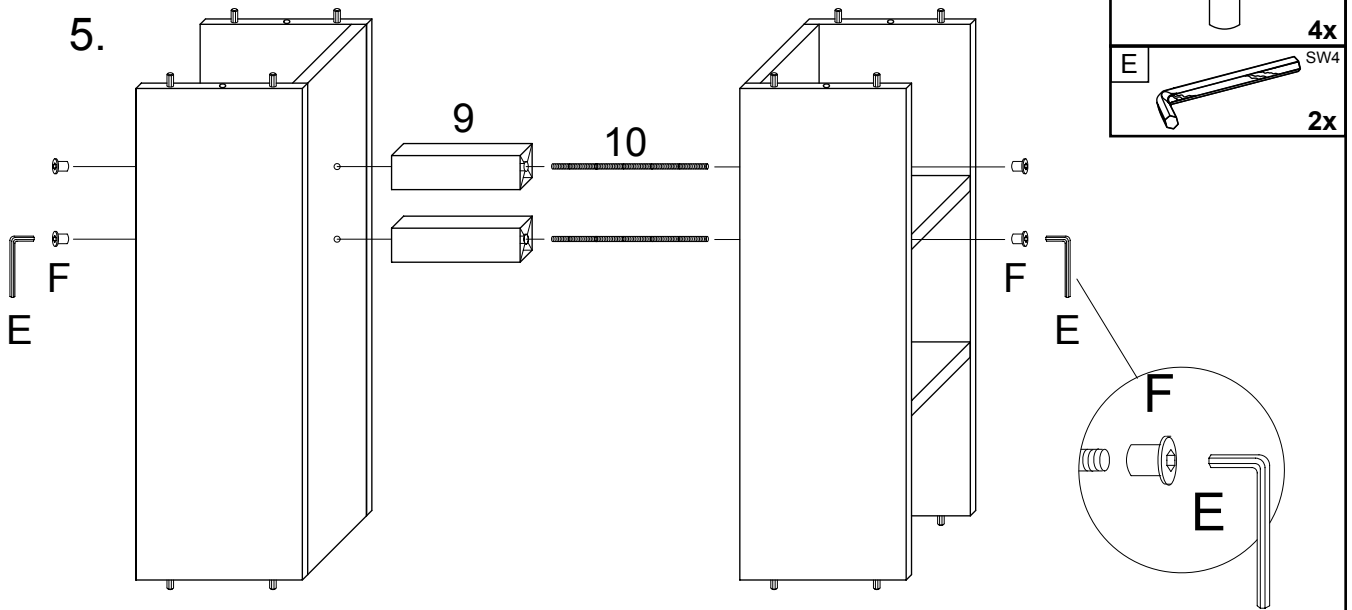
2x



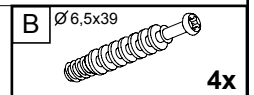
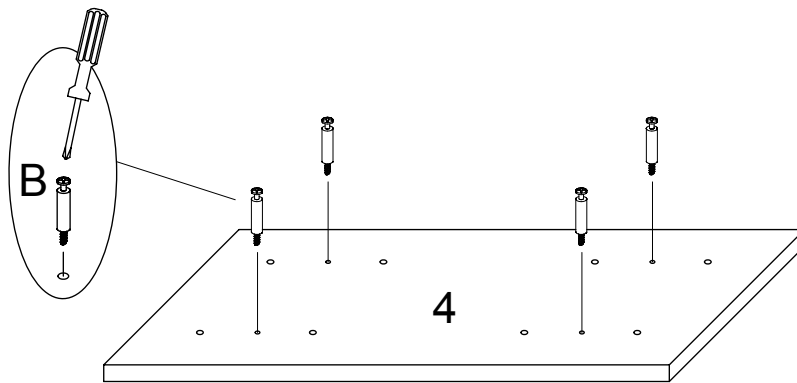
D		8x
H		

## II.

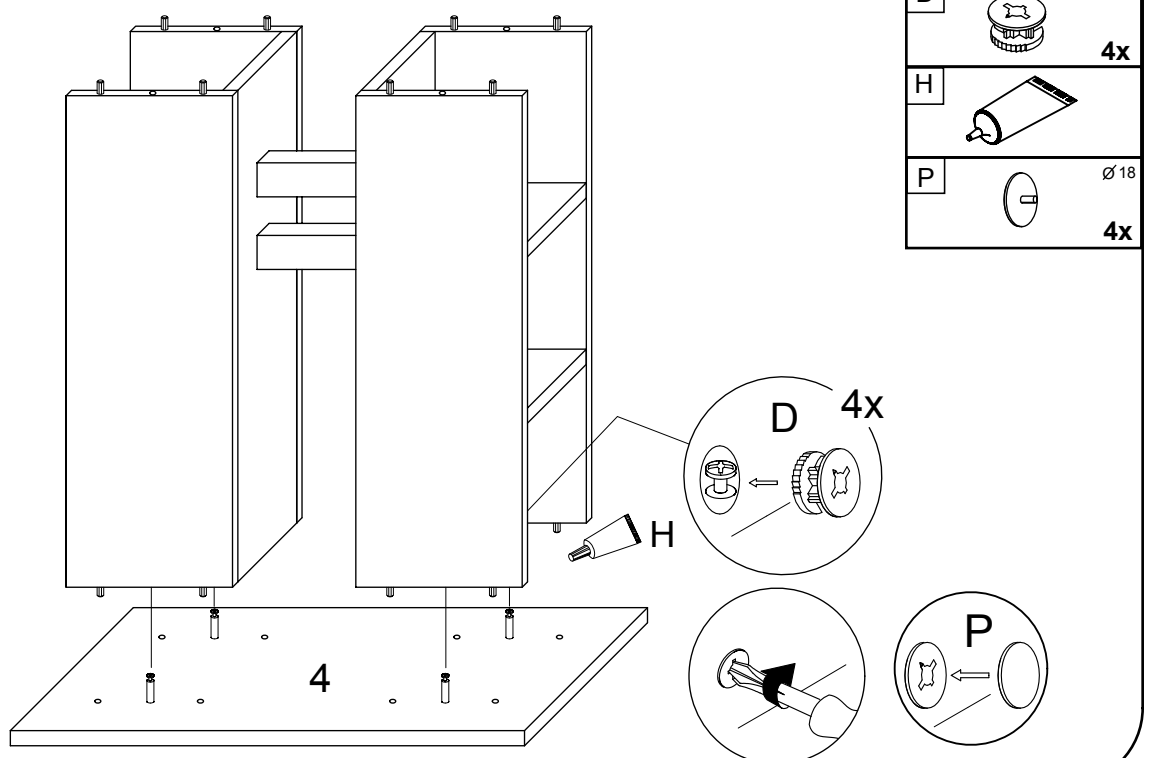
5.



6.

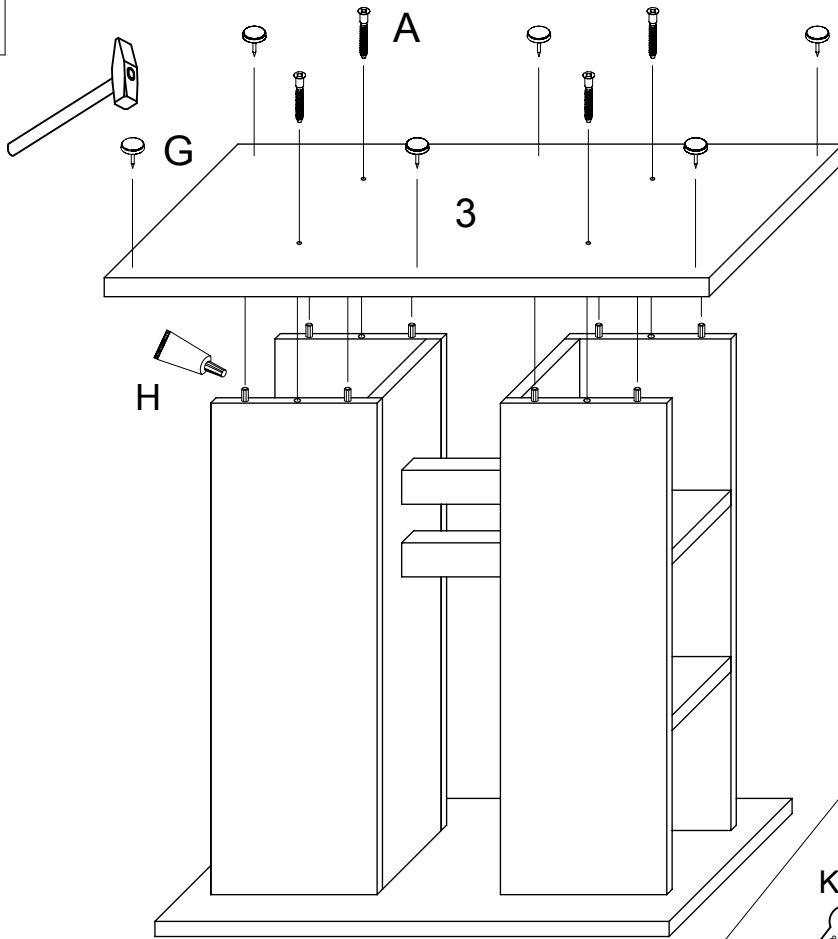


7.



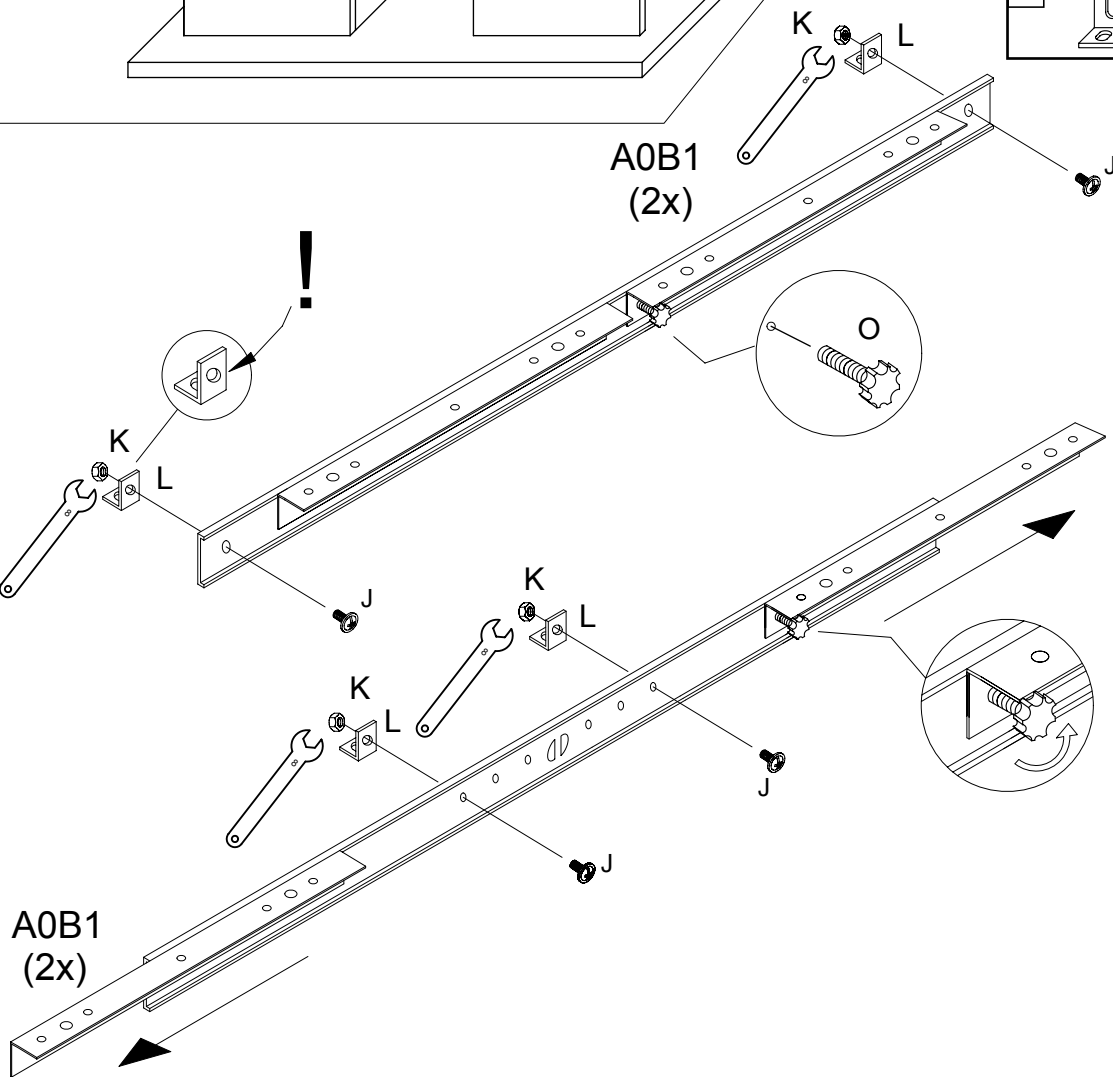
III.

8.



A		7x50	4x
G		Ø15	6x
H			

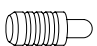
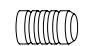
9.

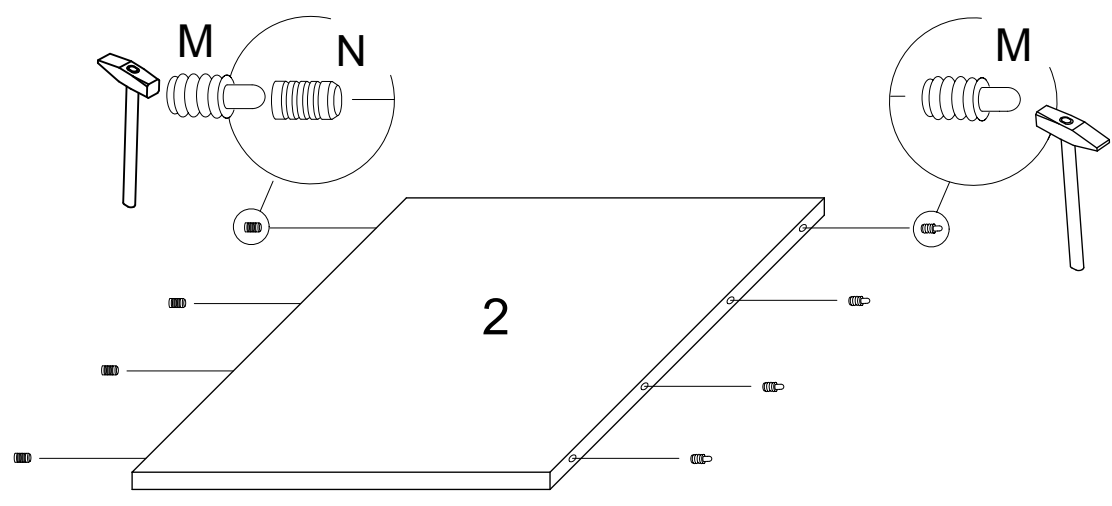
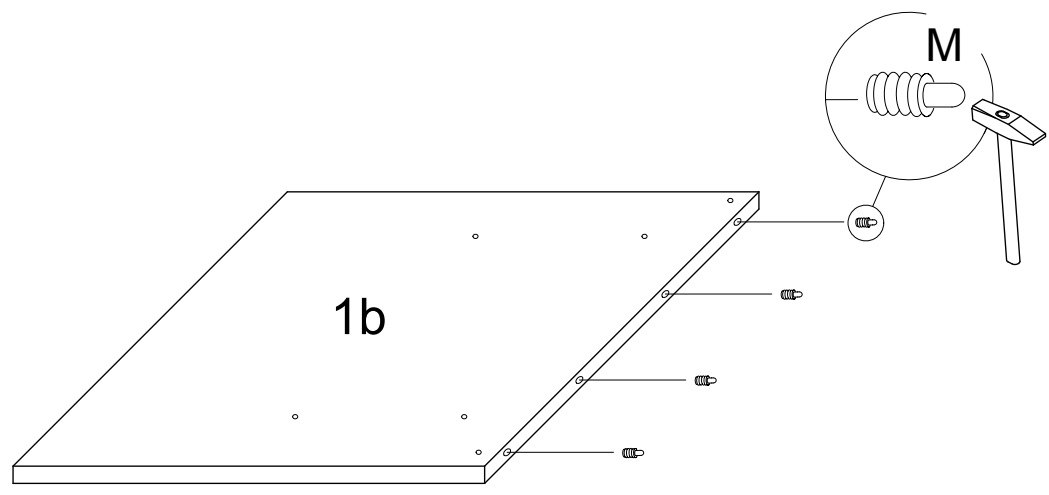
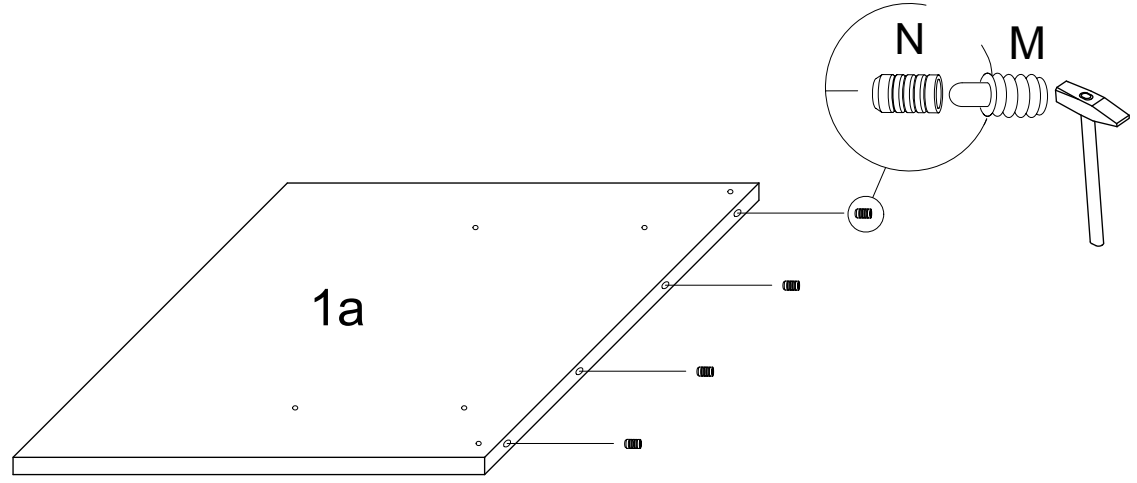


J		M5x8	8x
K		M5	8x
L			8x

**IV.**

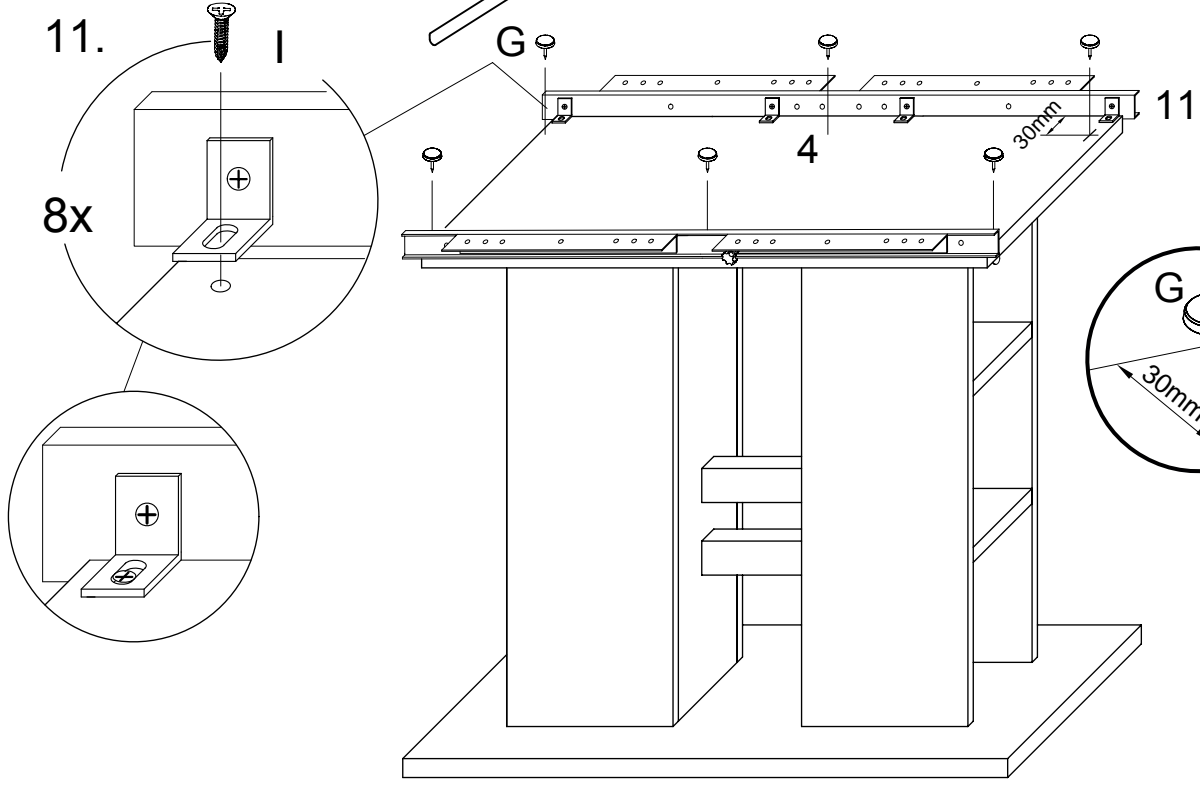
10.

M		8x
N		8x



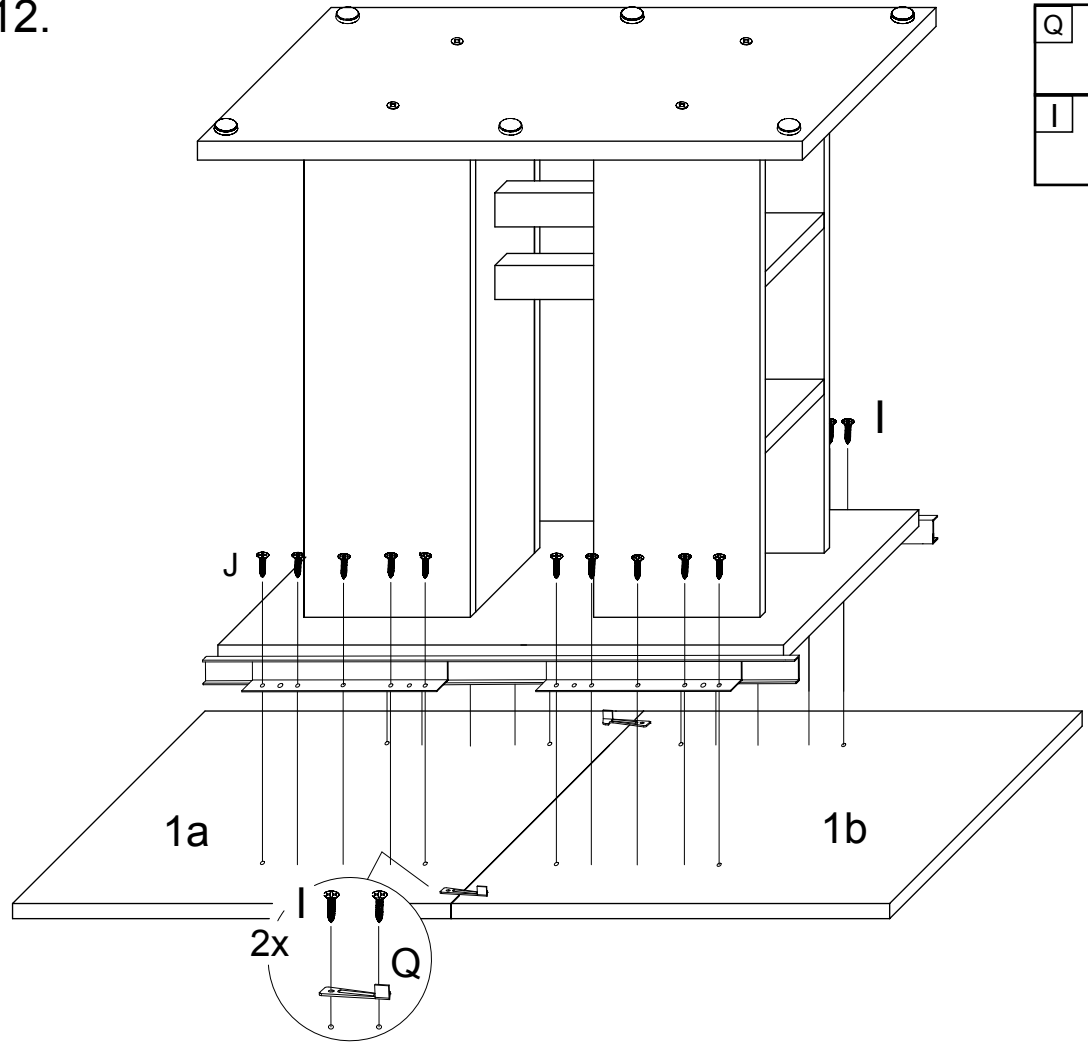
V.

I	4x15	G	Ø15
	8x		6x



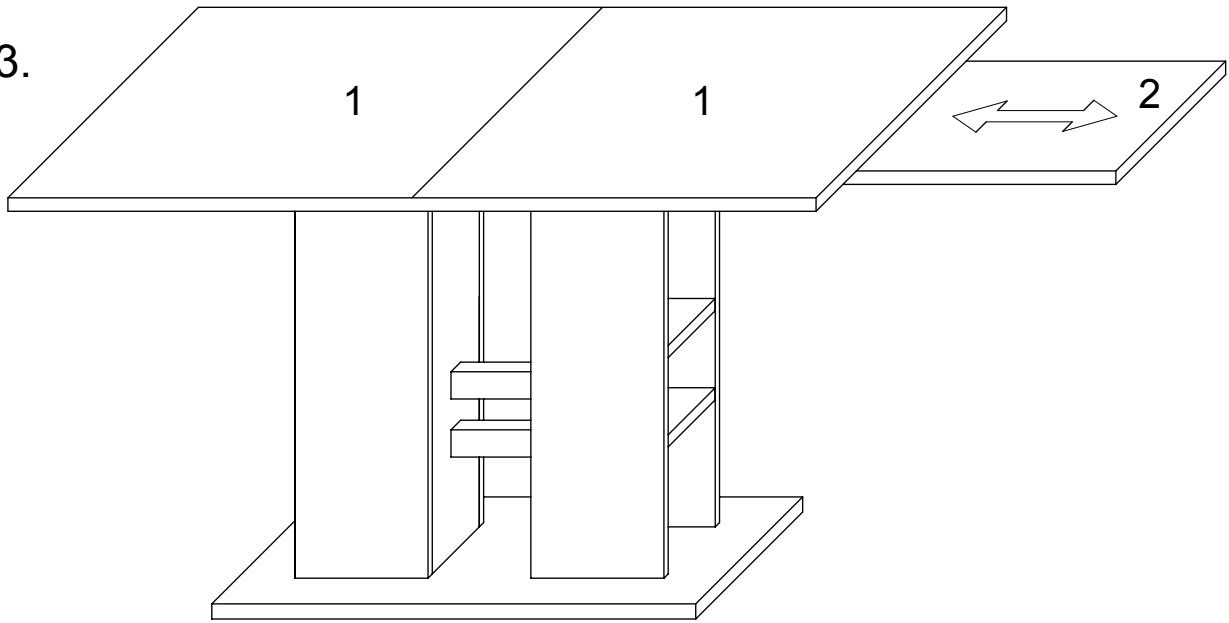
12.

Q		2x
I	4x15	24x

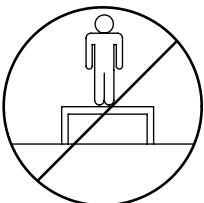
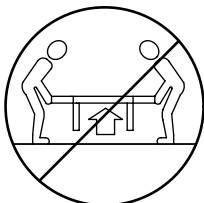
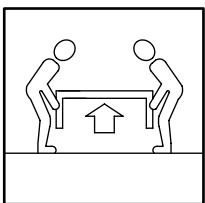
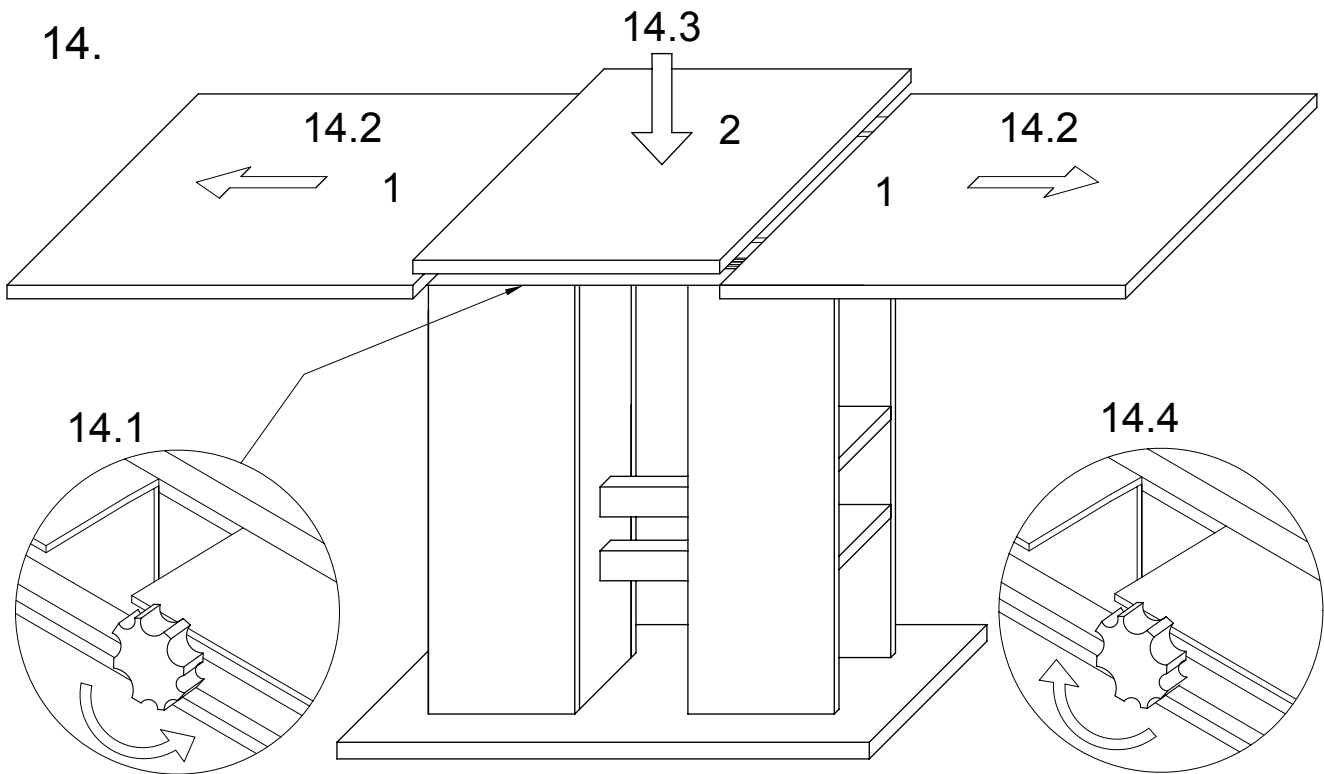


VI.

13.



14.



**LE TRI**  
**+ FACILE**



**BAG**  
**DE TRI**

Séparez les éléments avant de trier