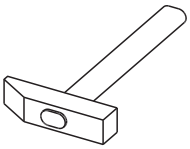
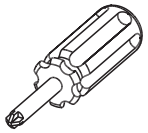
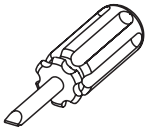
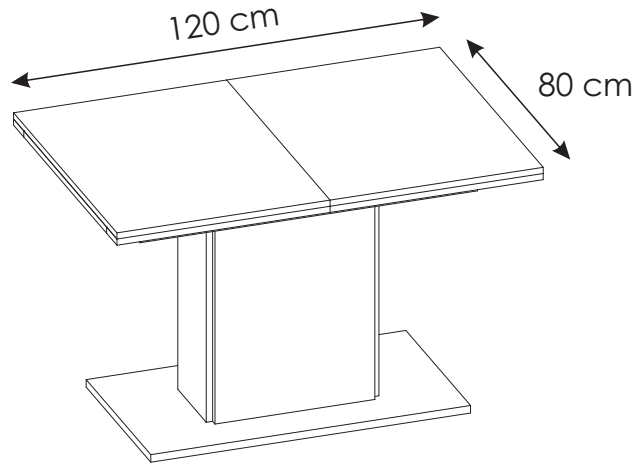
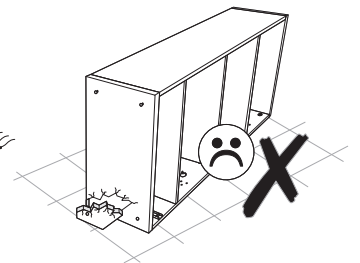
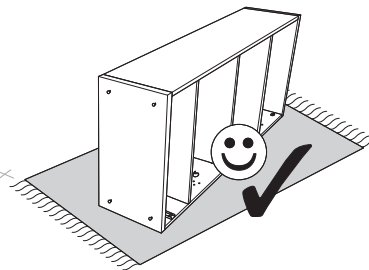
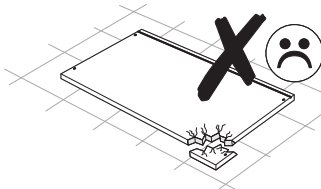
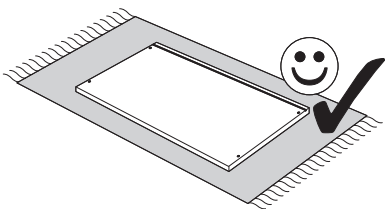
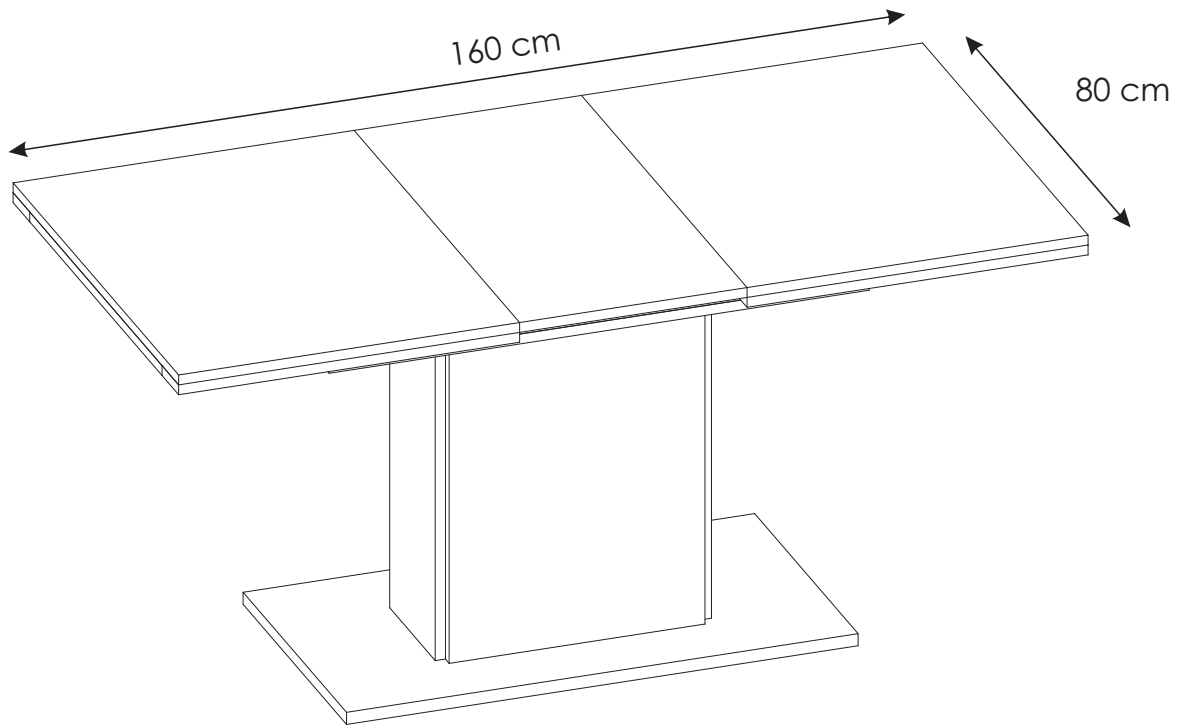
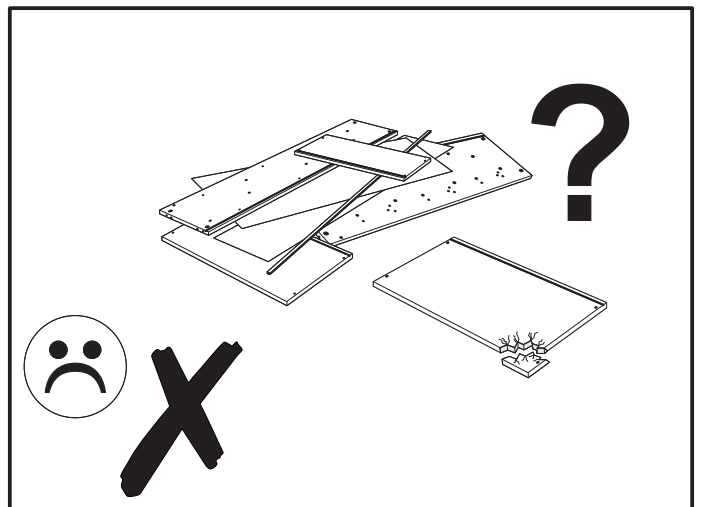
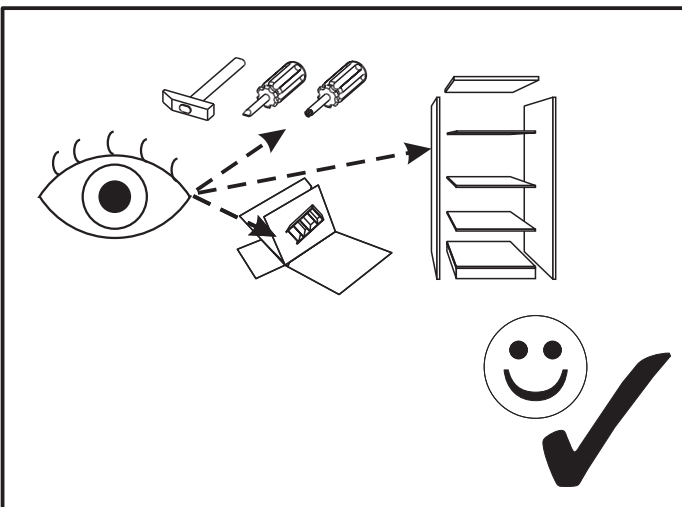
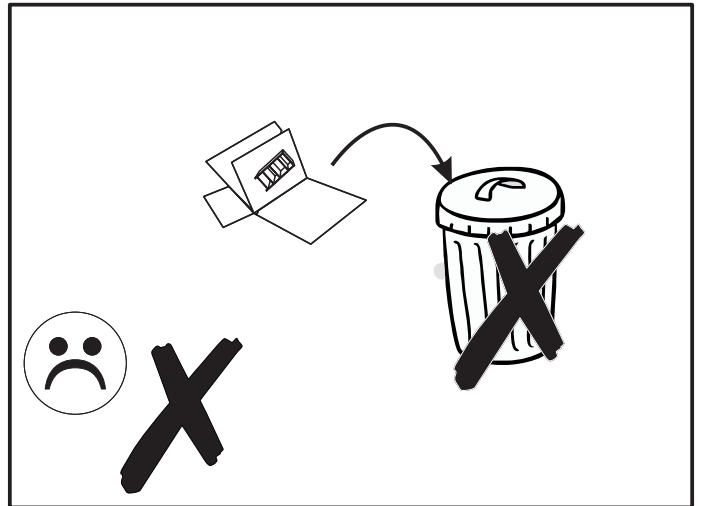
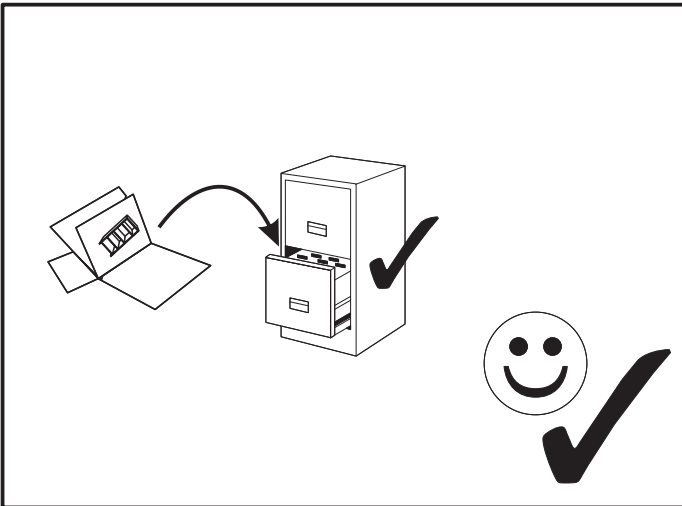
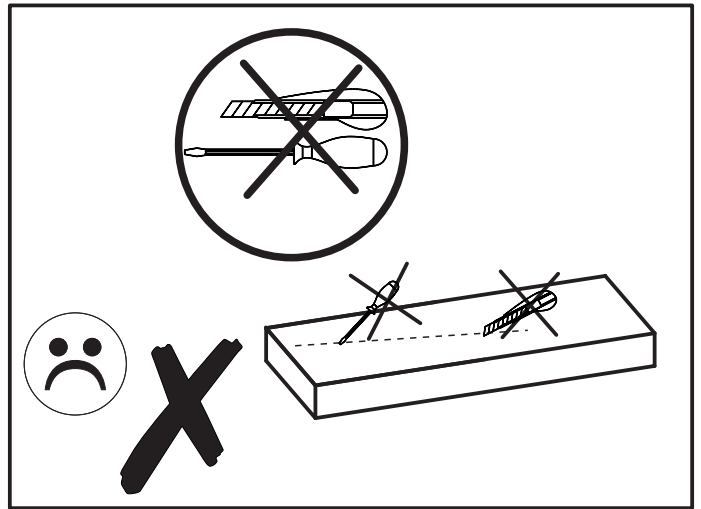
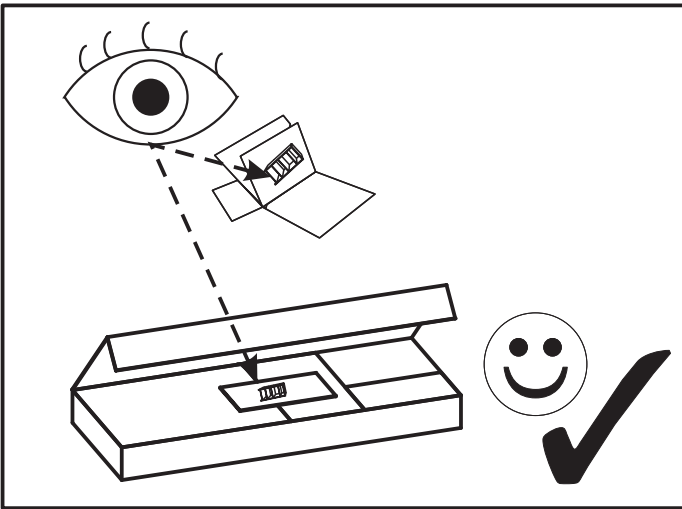


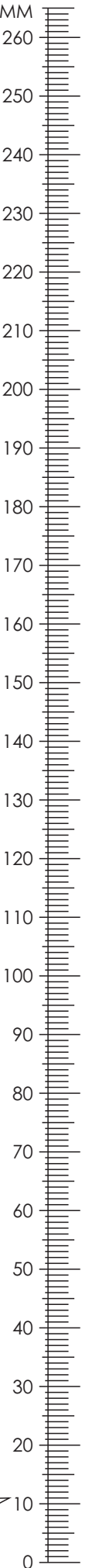
# DONUA





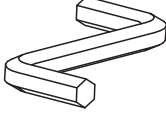
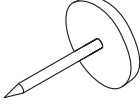

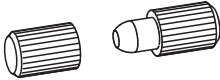
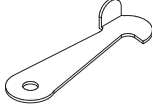
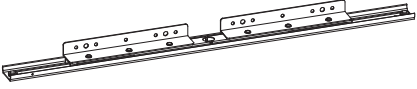


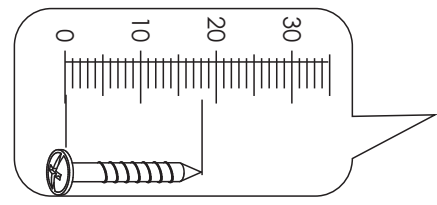
76,4 cm

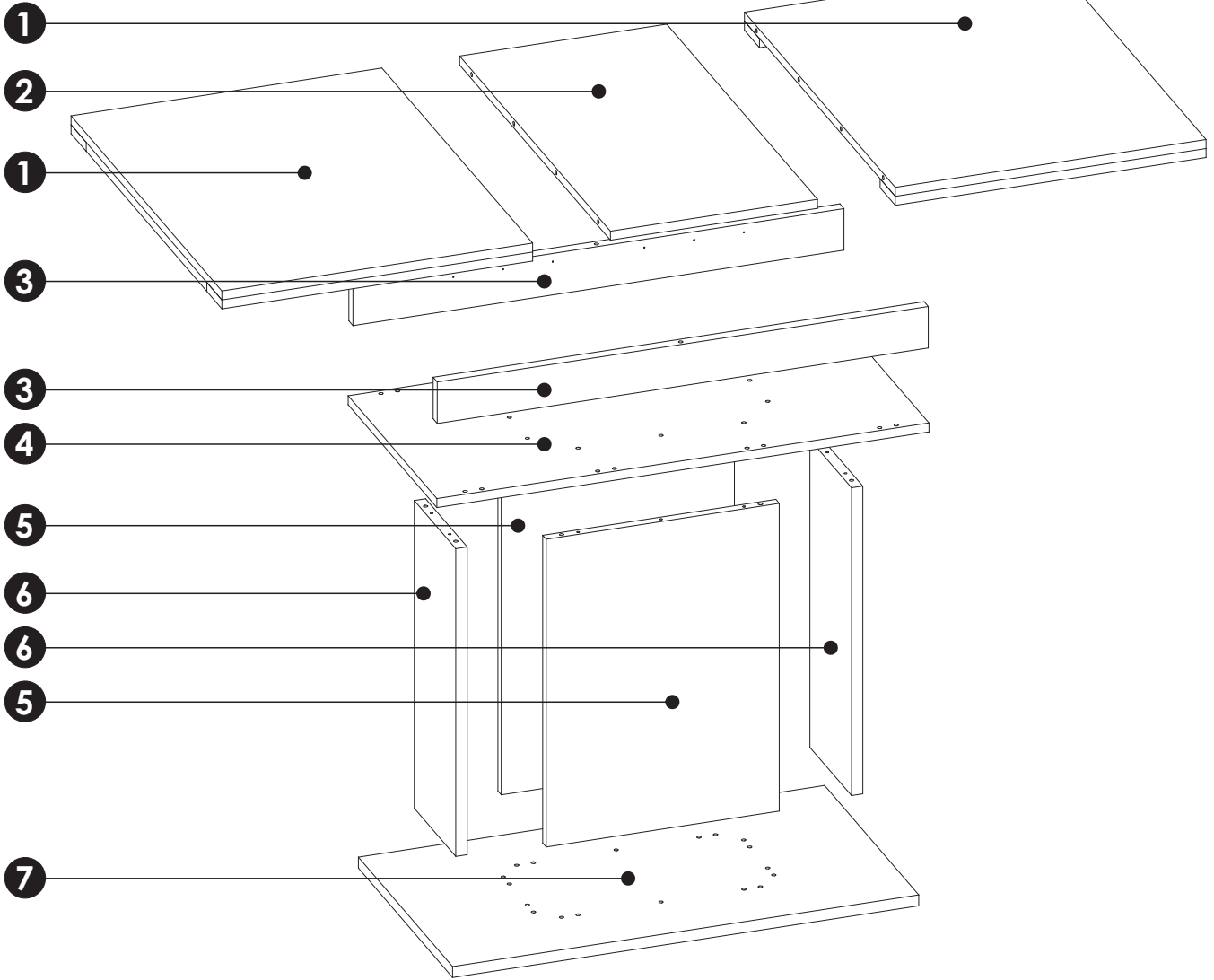
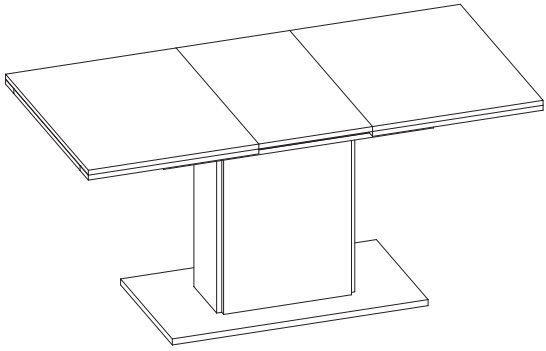






<b>A1</b> 8 x 35 mm x24 	<b>G0</b>  x28	<b>G1</b> 7 x 50 mm x28 
<b>I2</b> 4 x 16 mm x36 	<b>M</b>  x1	<b>O2</b>  x6
<b>O2A</b> $\varnothing 20$ x6 	<b>R8</b>  x10	<b>S19</b>  x4
<b>T11</b> x2 		





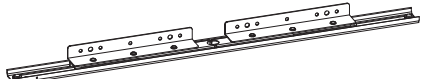


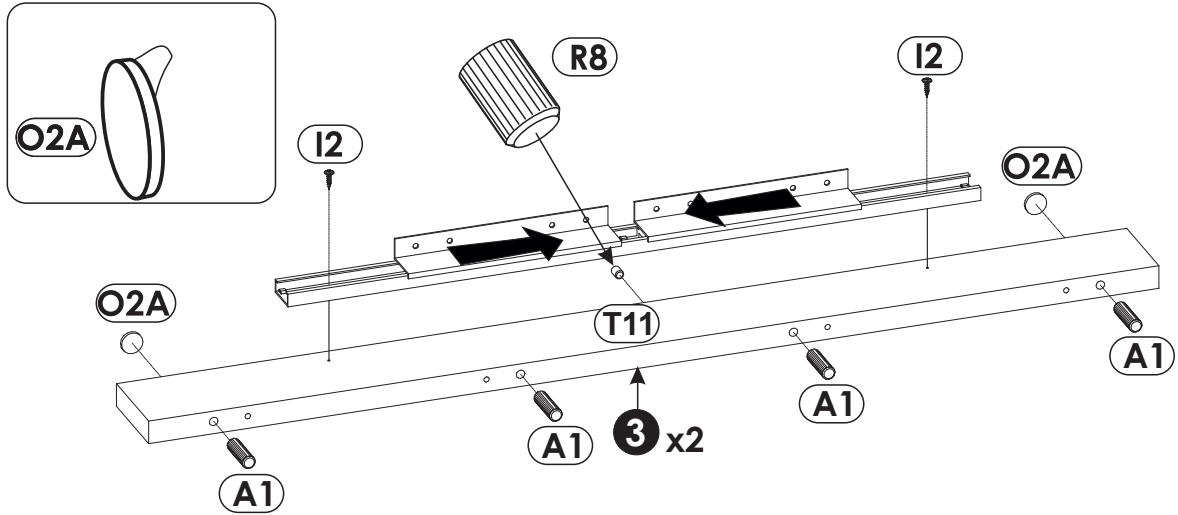


<b>1</b>	800	600	36	x2	2/2
<b>2</b>	800	400	18	x1	2/2
<b>3</b>	948	83	22	x2	1/2
<b>4</b>	950	470	18	x1	1/2

<b>5</b>	616	450	18	x2	1/2
<b>6</b>	616	220	22	x2	1/2
<b>7</b>	900	500	22	x1	1/2

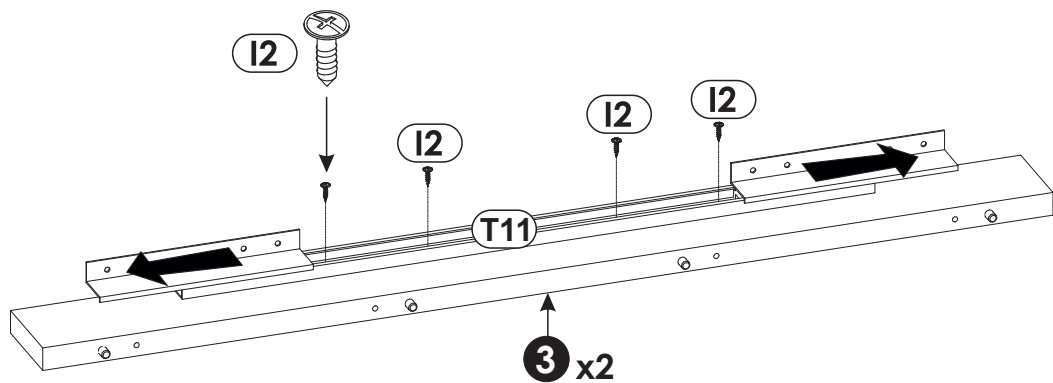
1 ▶

<b>A1</b> x8  8 x 35 mm	<b>I2</b> x4  4 x 16 mm	<b>O2A</b> x4  ø20	<b>R8</b> x2 	<b>T11</b> x2 
--	--	---	---	--

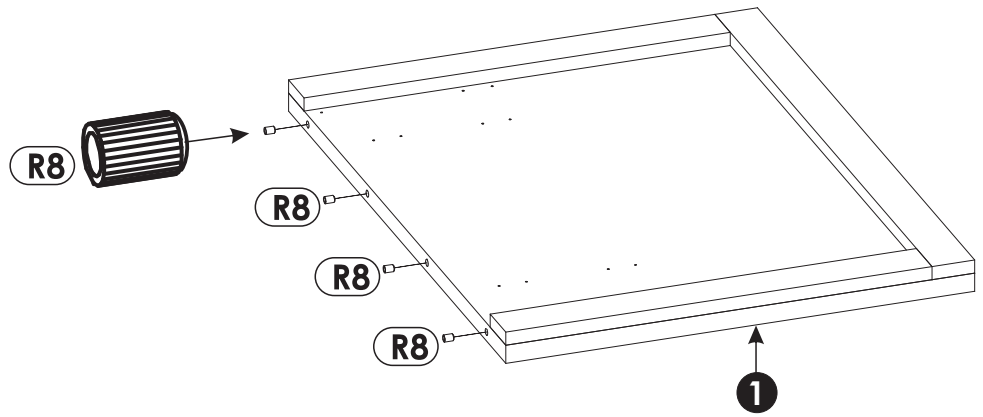
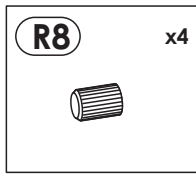


2 ▶

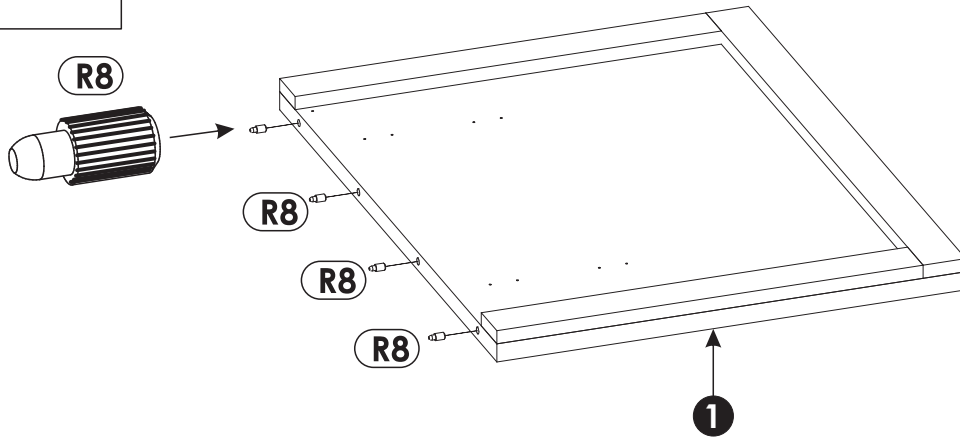
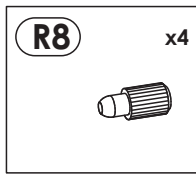
<b>I2</b> x8  4 x 16 mm
--



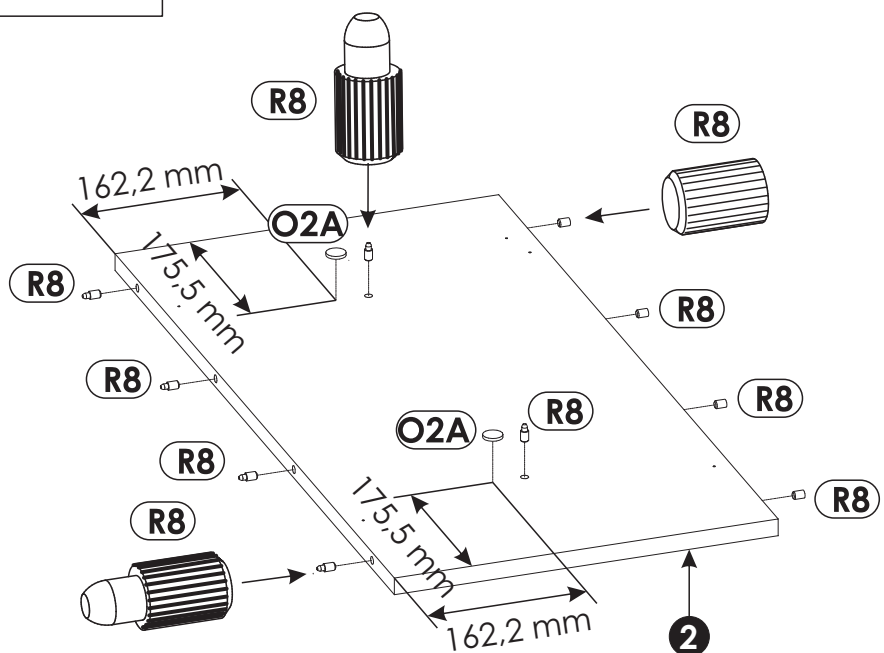
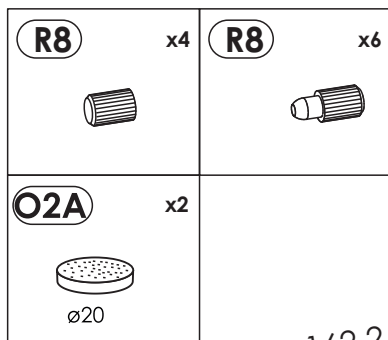
3 ▶



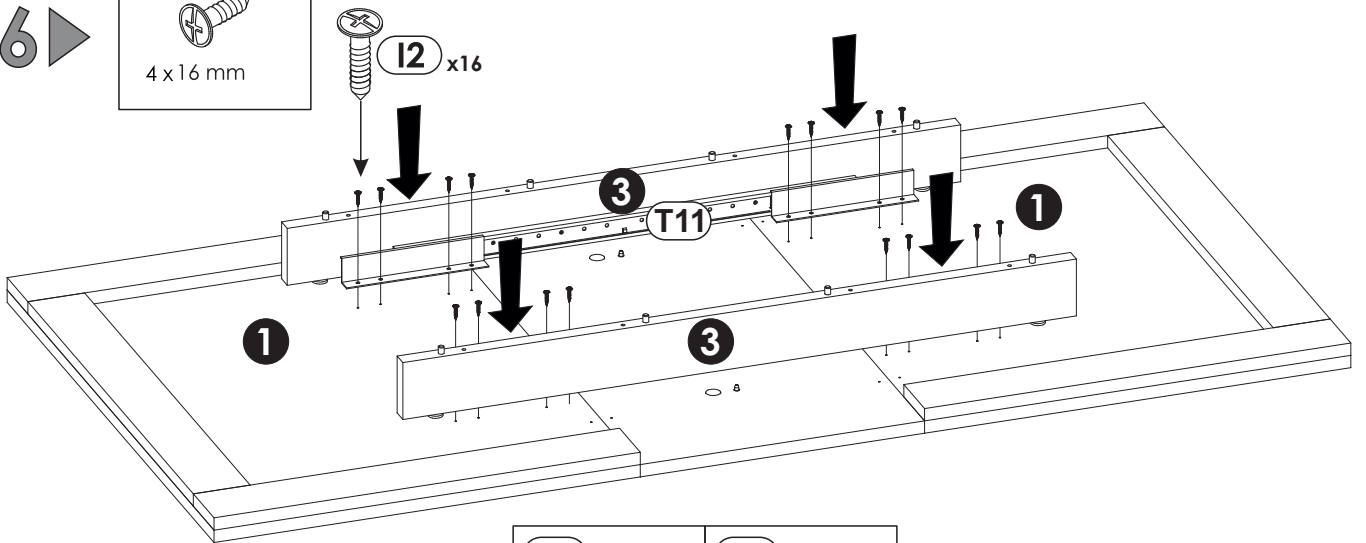
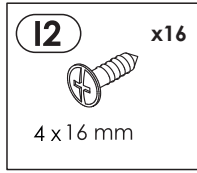
4 ▶



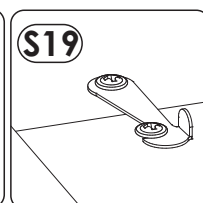
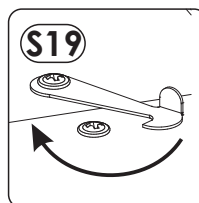
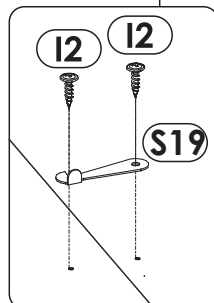
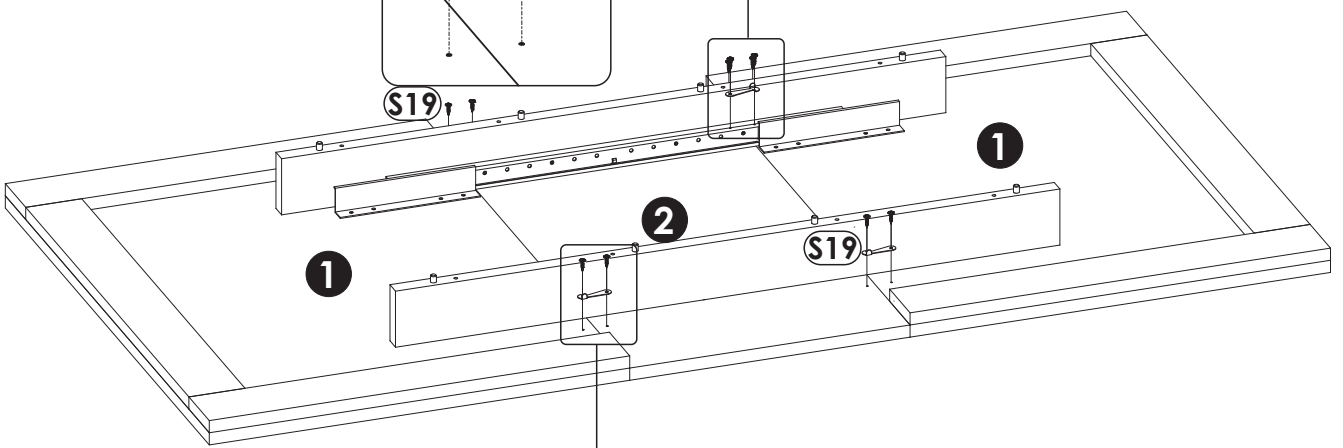
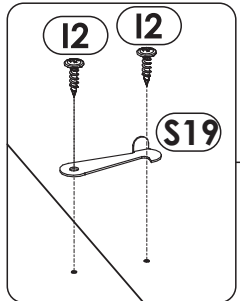
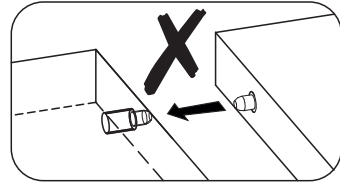
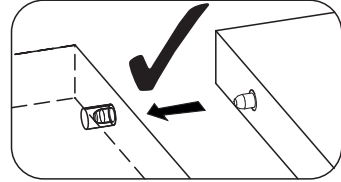
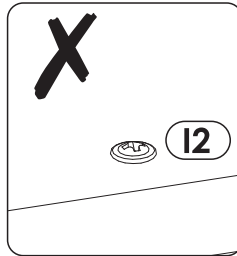
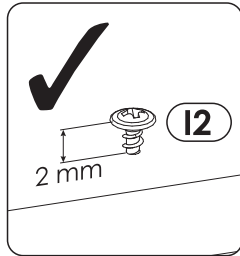
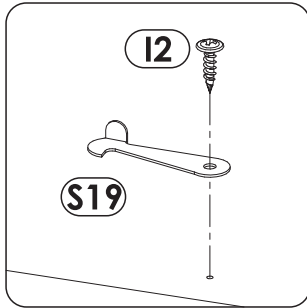
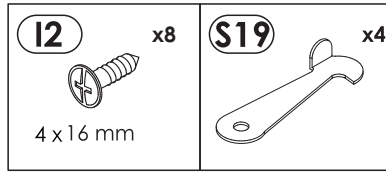
5 ▶



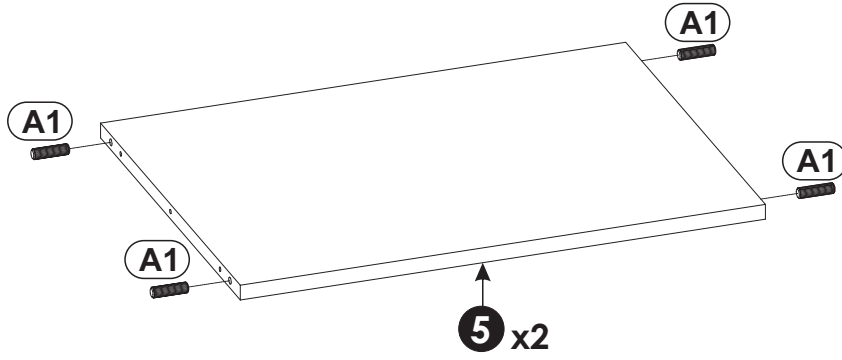
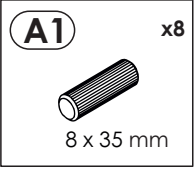
6 ▶



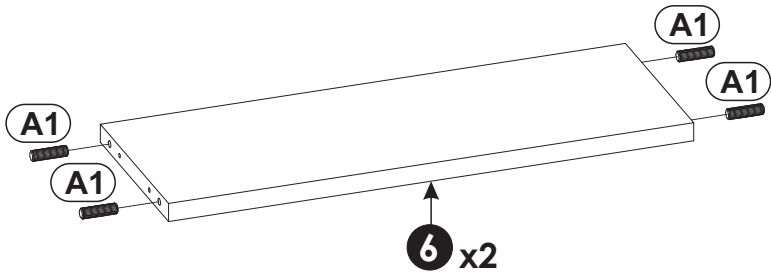
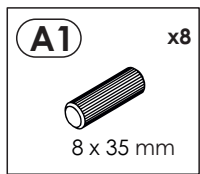
7 ▶



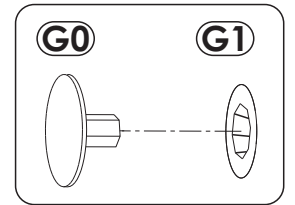
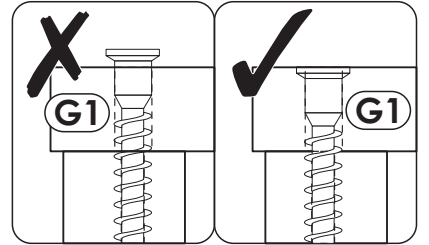
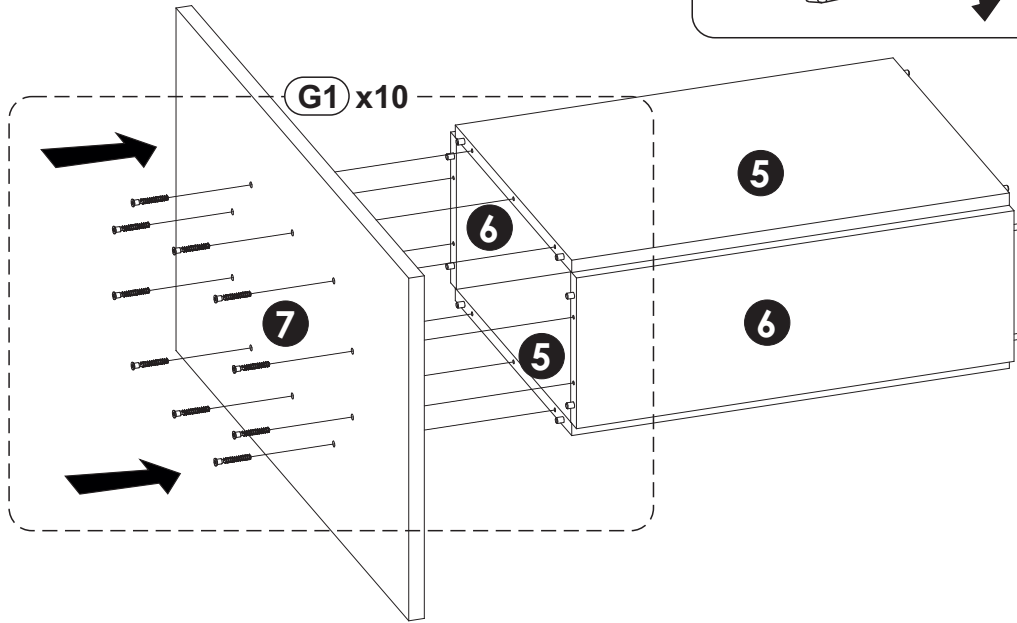
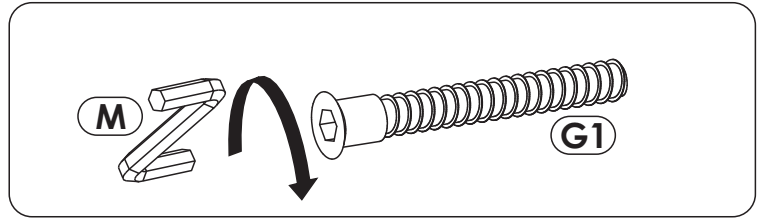
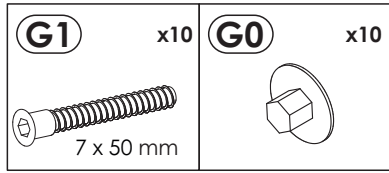
8 ▶



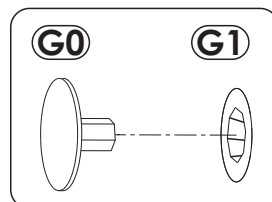
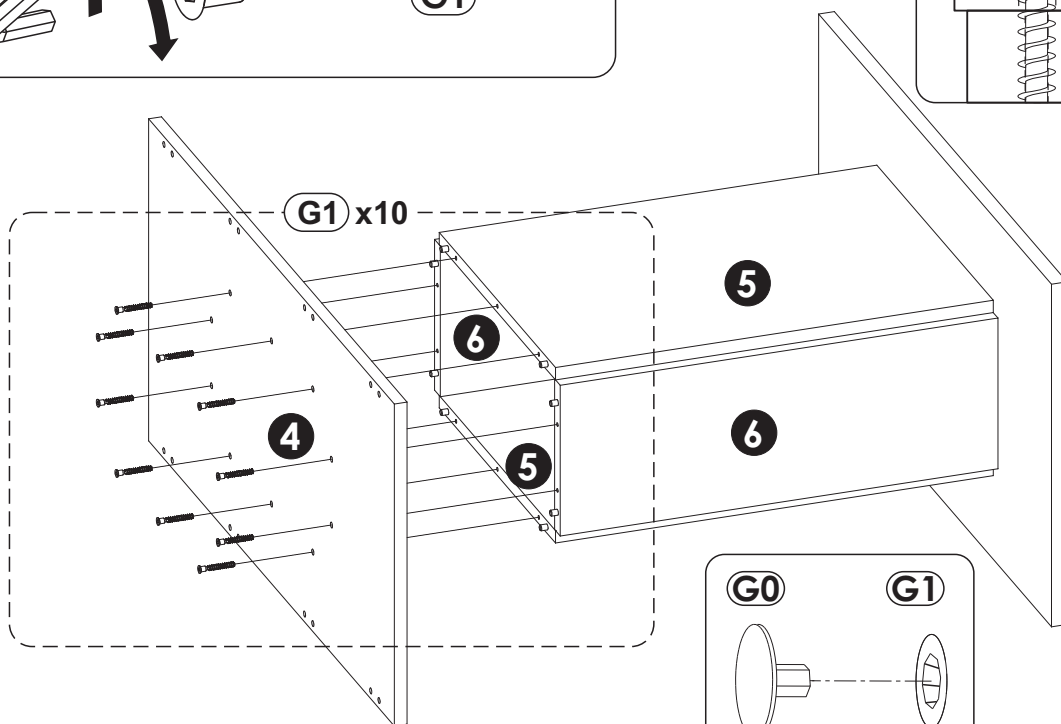
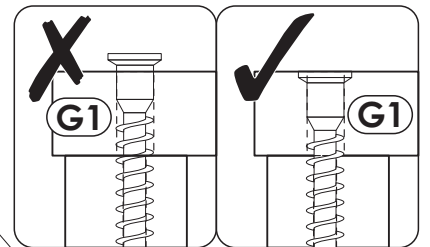
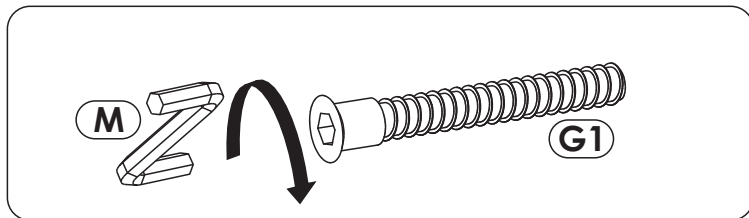
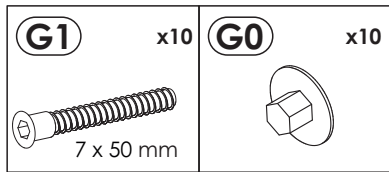
9 ▶



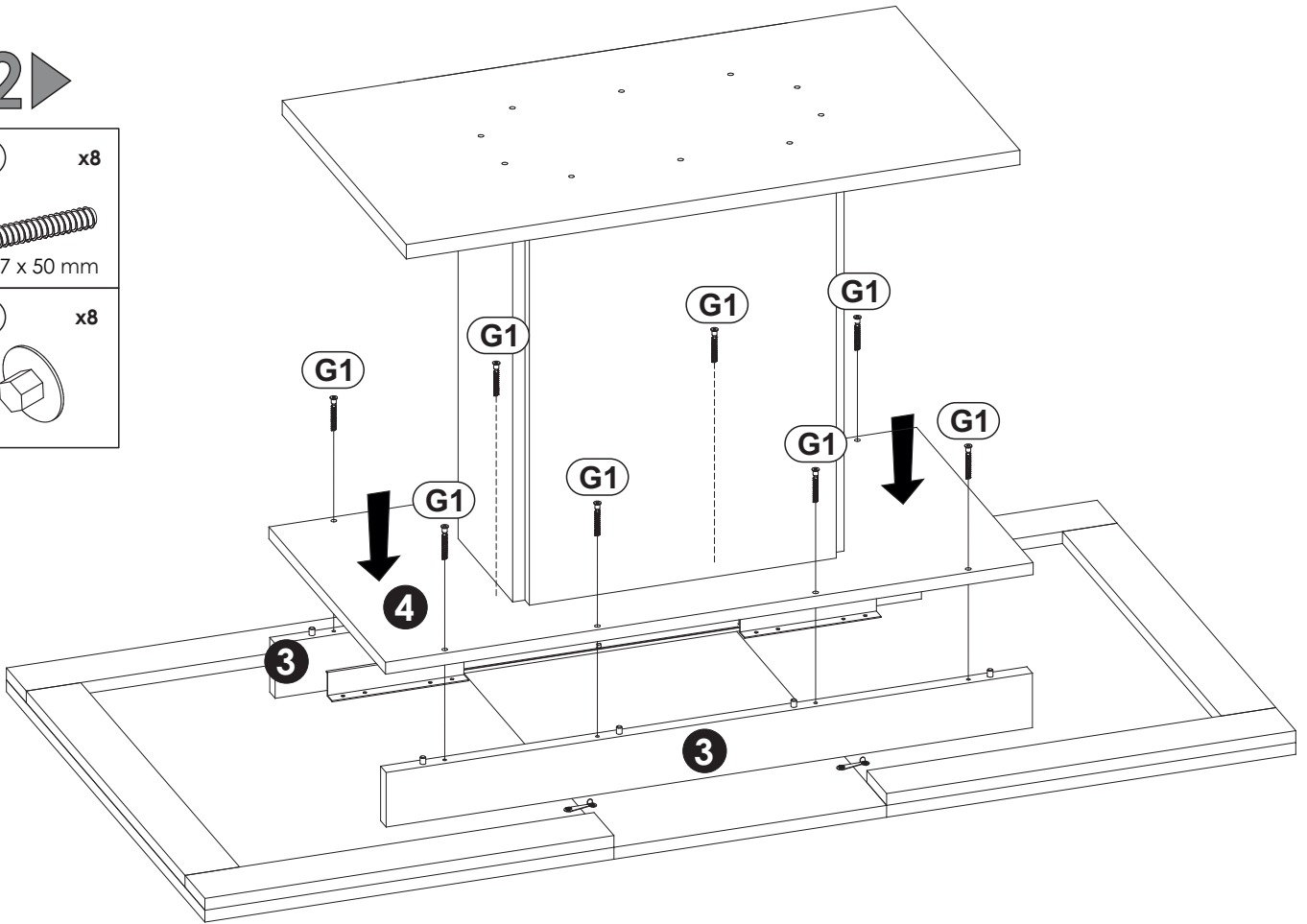
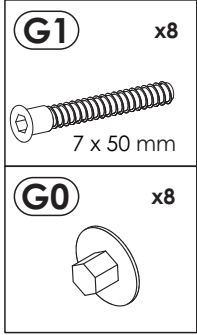
10 ▶



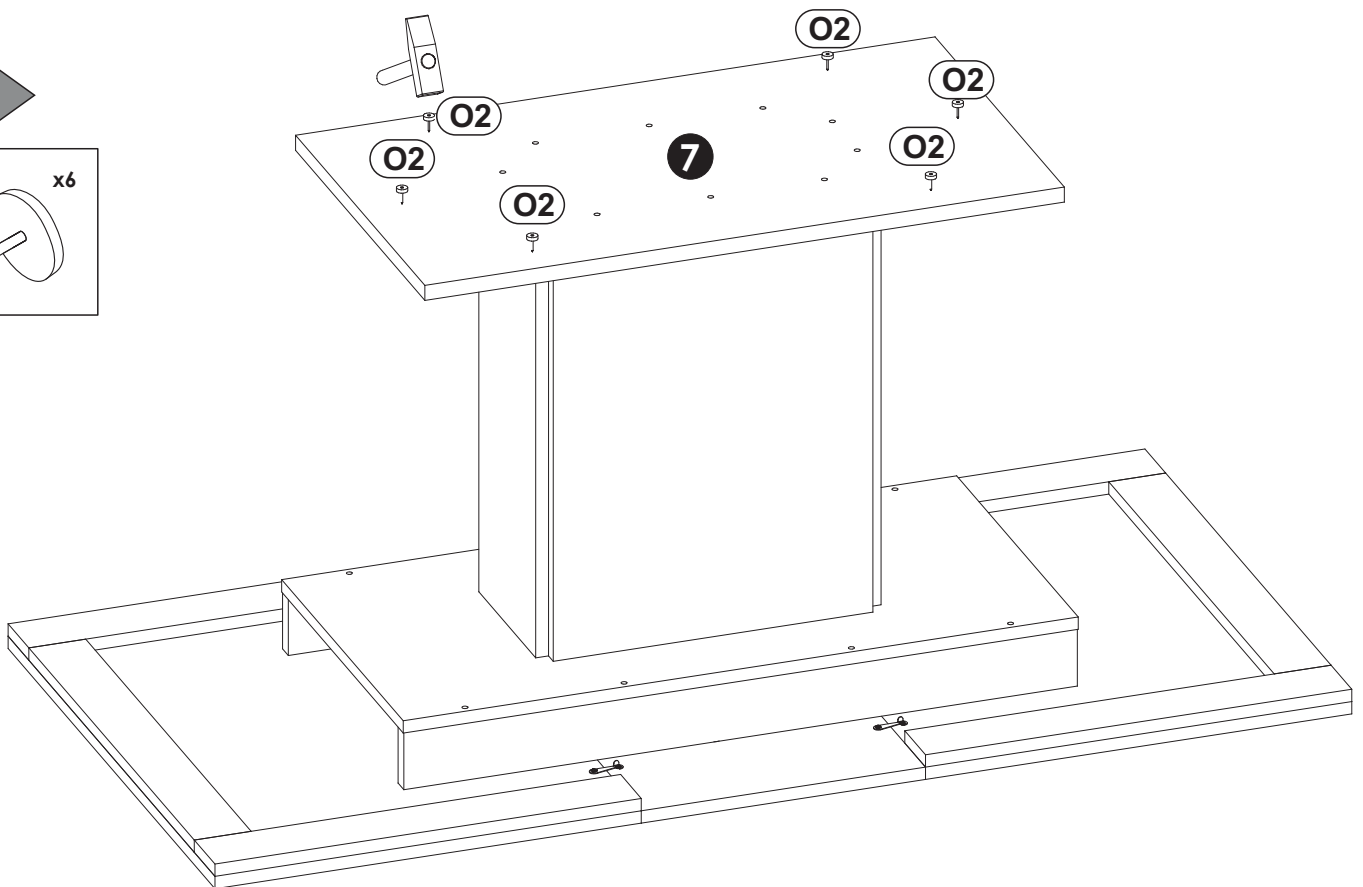
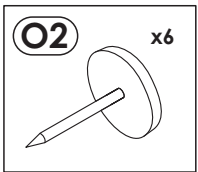
11 ▶



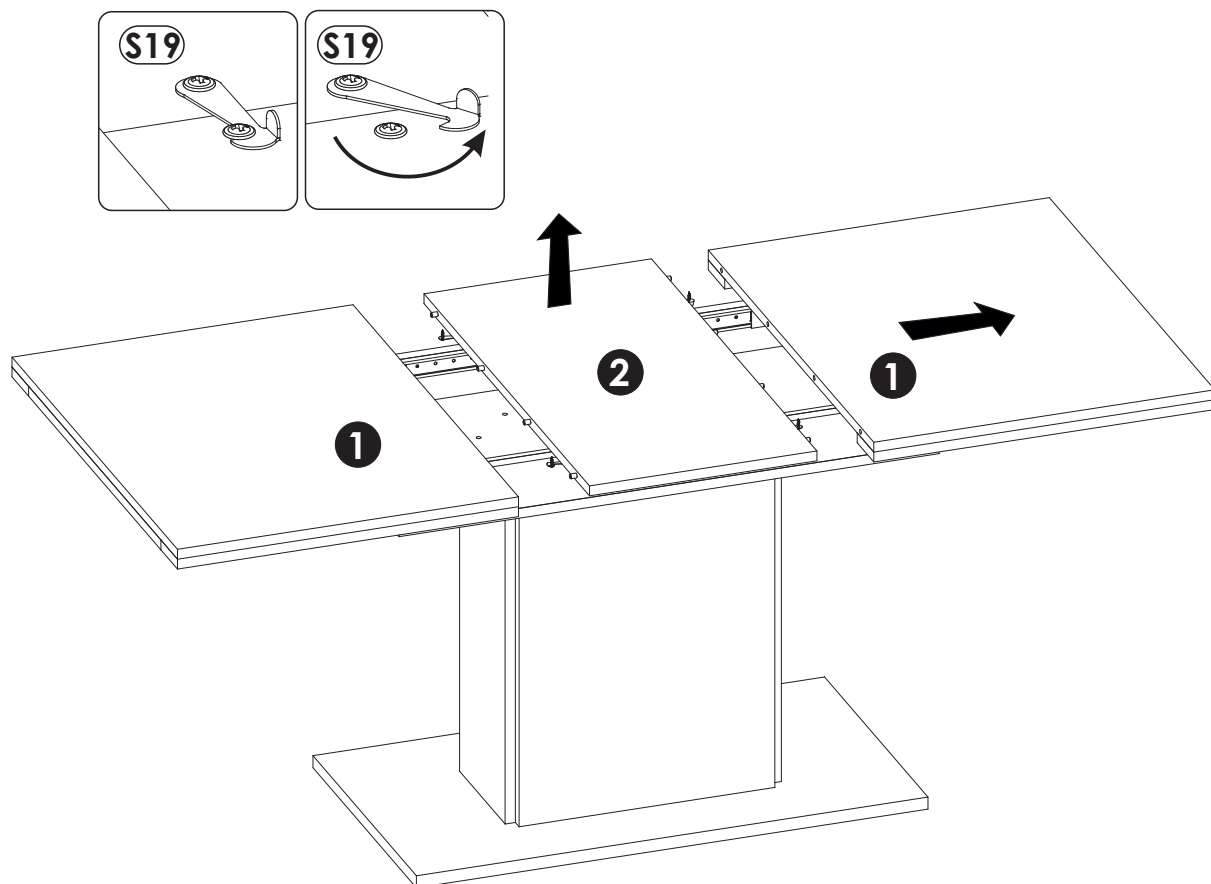
# 12 ▶



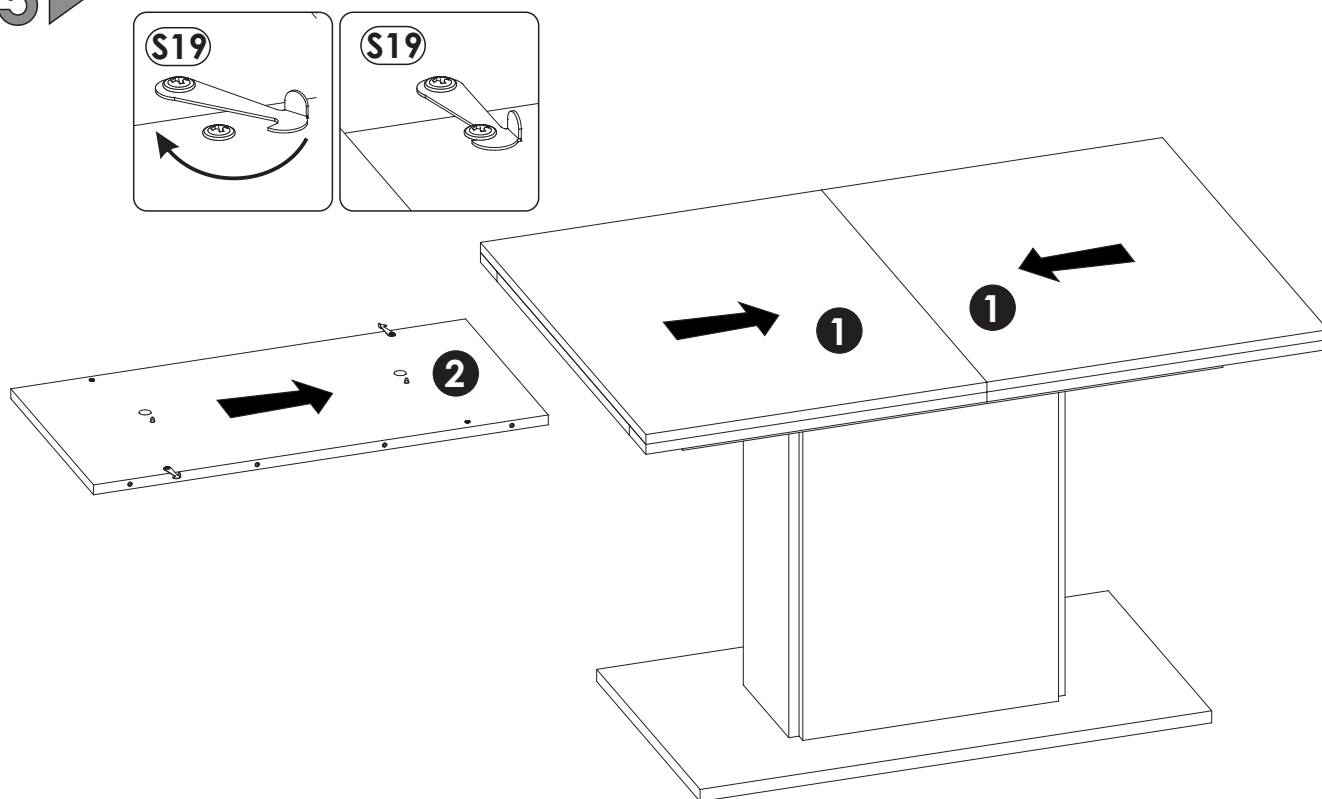
# 13 ▶

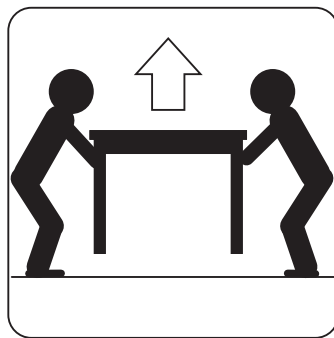
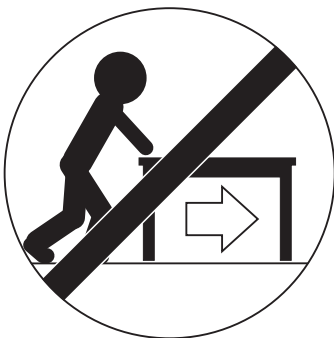
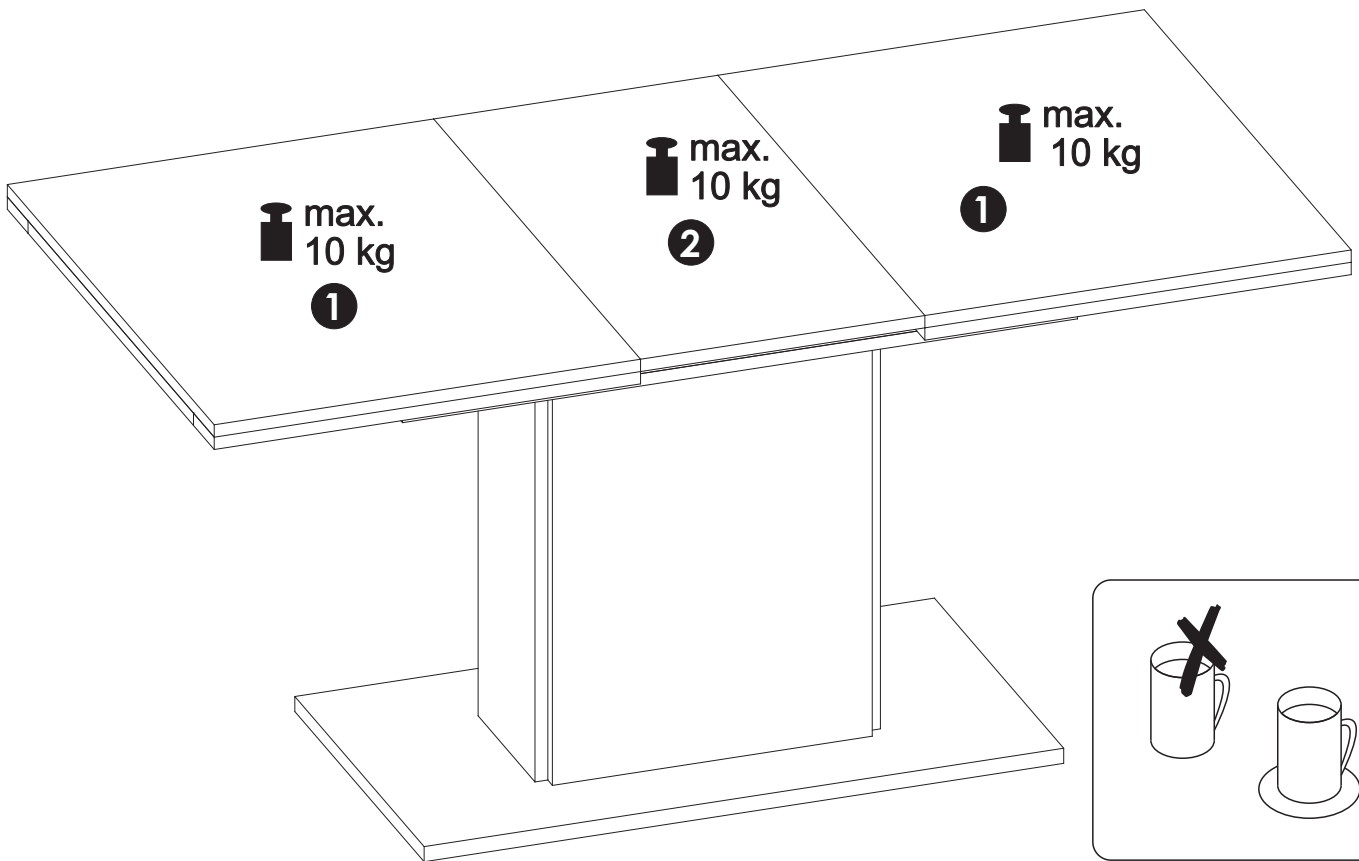


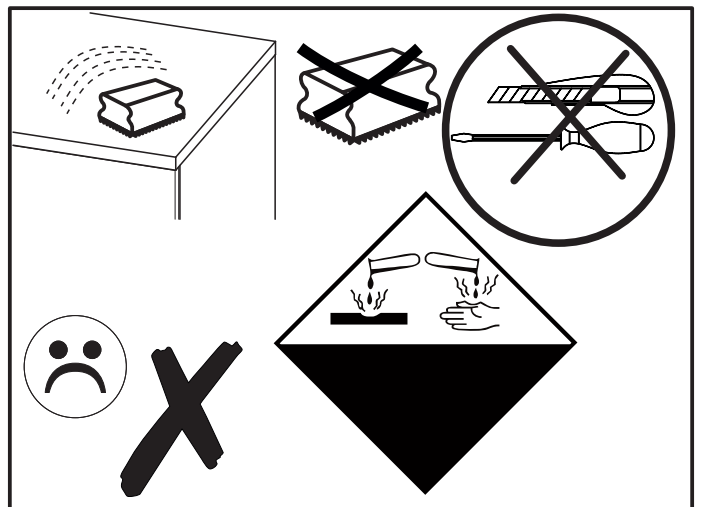
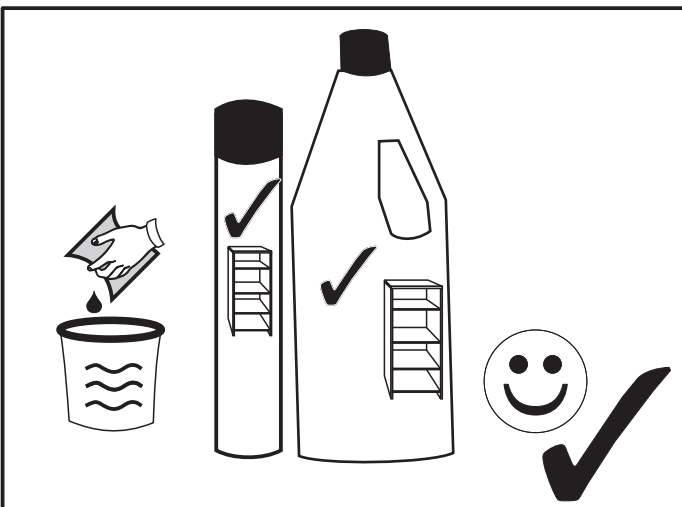
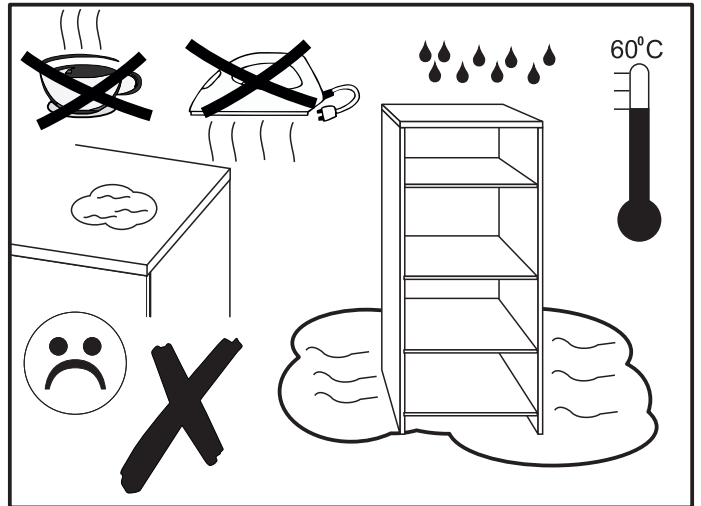
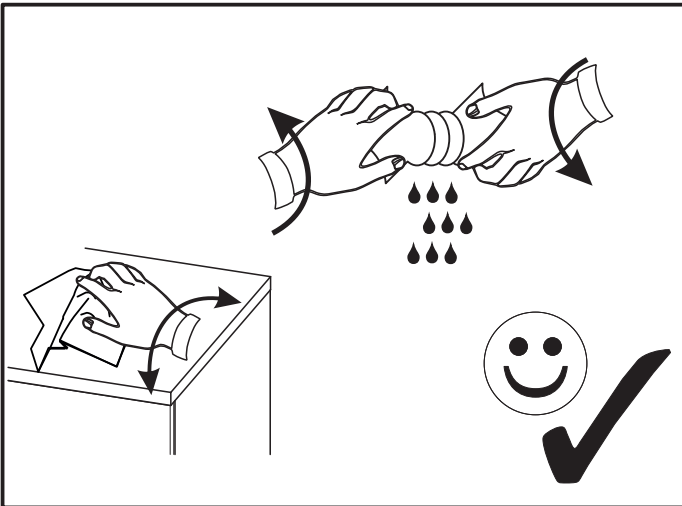
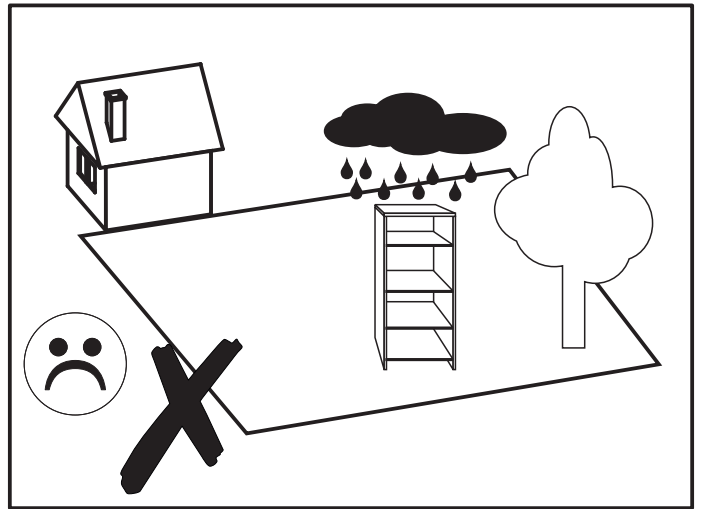
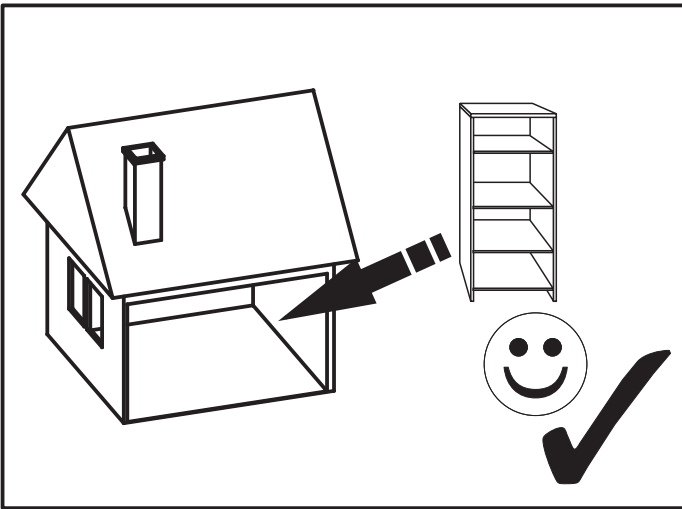
14▶

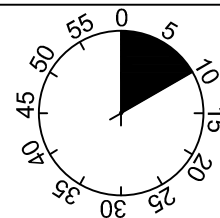
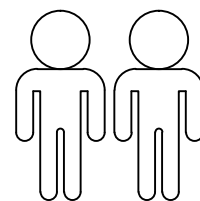
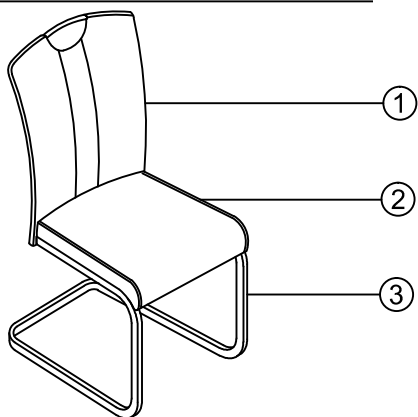


15▶





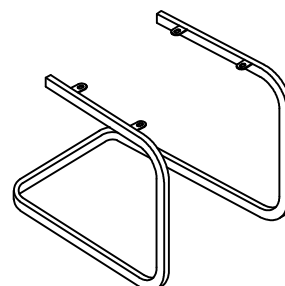
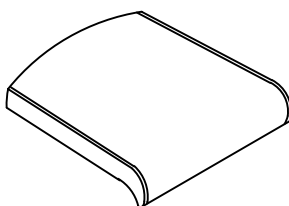
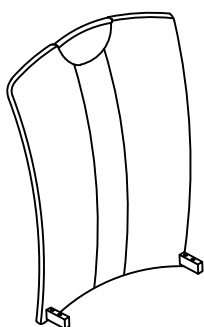




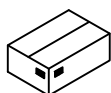
1

2





3



1	1x
2	1x
3	1x

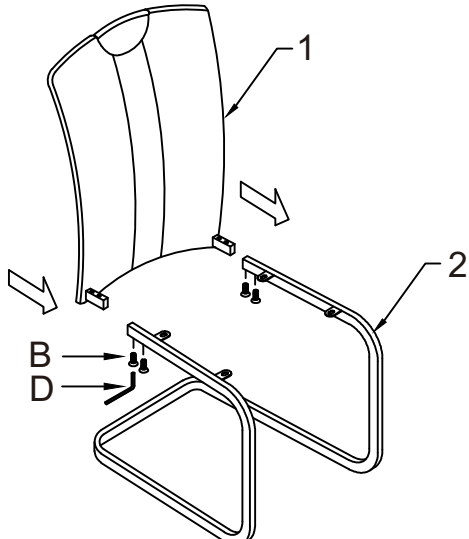


1/1

A	M6X20	B	M6X12	C	Ø18xØ6x1.5	D	4MM
 4x	 4x	 4x	 1x				

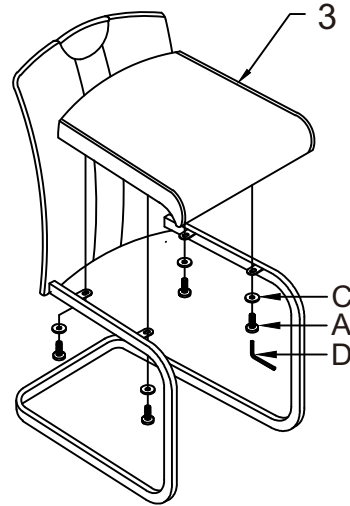
I.

1



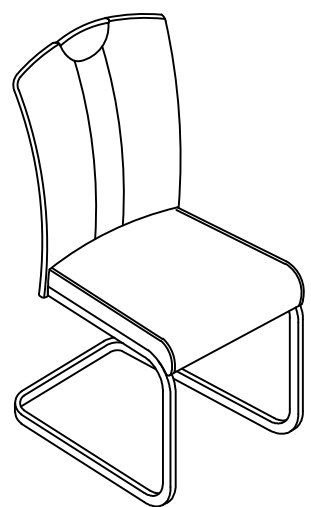
B		M6x12
		4x
D		4MM
		1x

2



A		M6X20
		4x
C		Ø18xØ6x1.5
		4x
D		4MM
		1x

3



D		4MM
		1x



**LE TRI + FACILE**



Séparez les éléments avant de trier