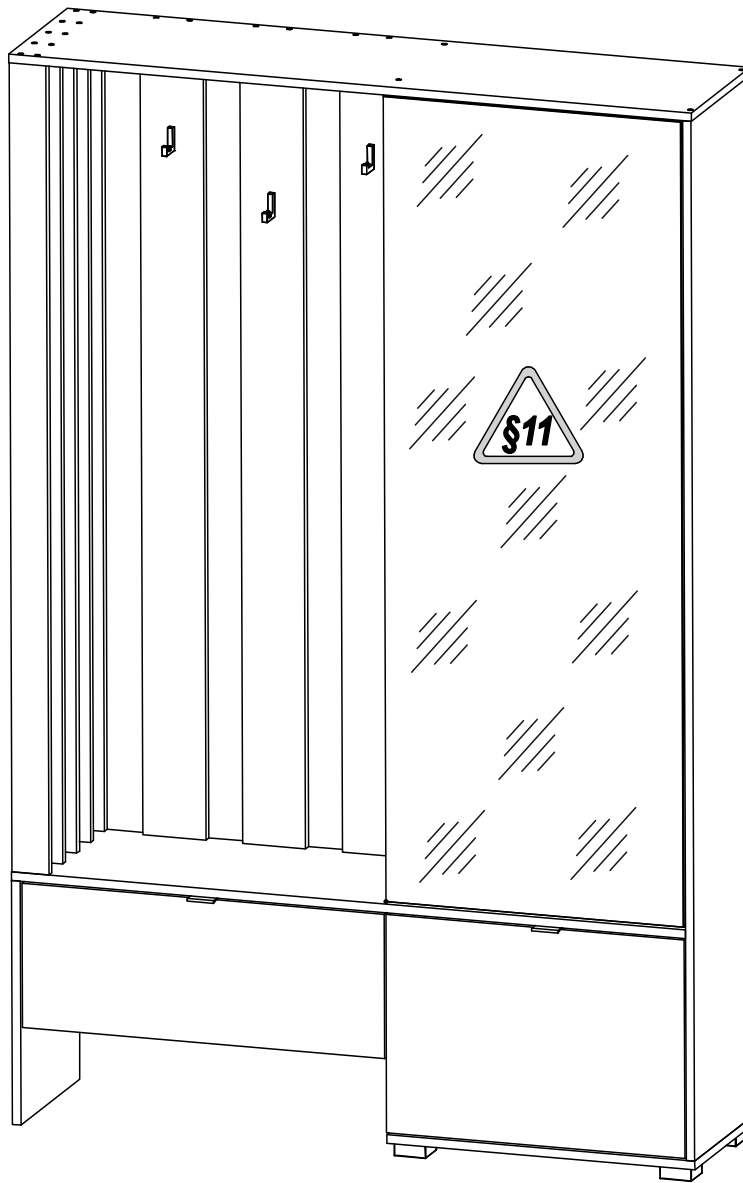
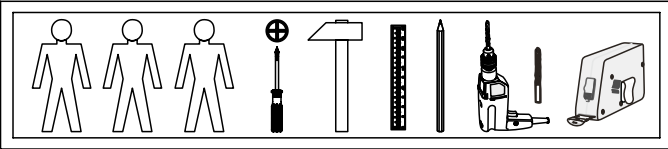
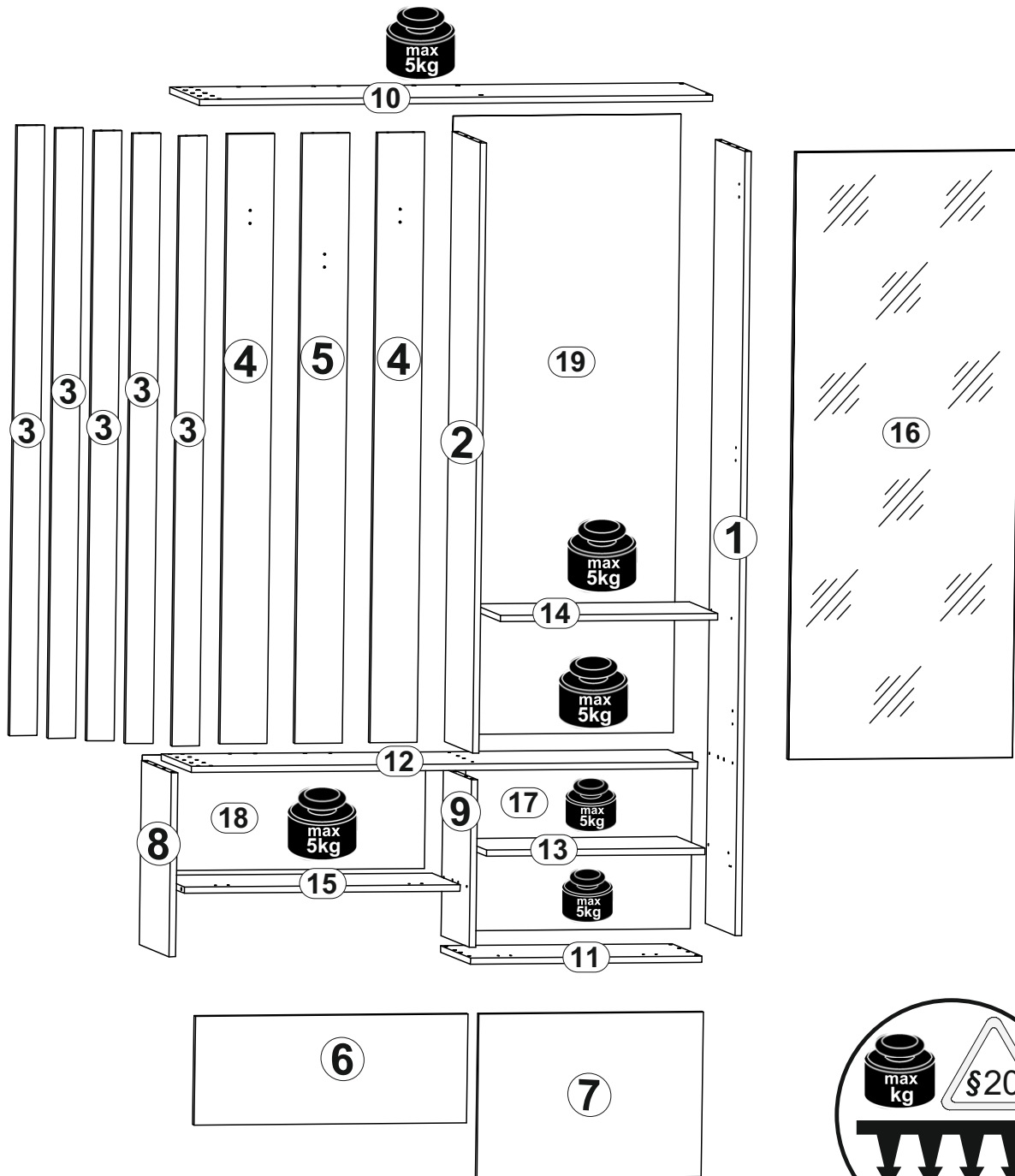


4150938.00 Loris



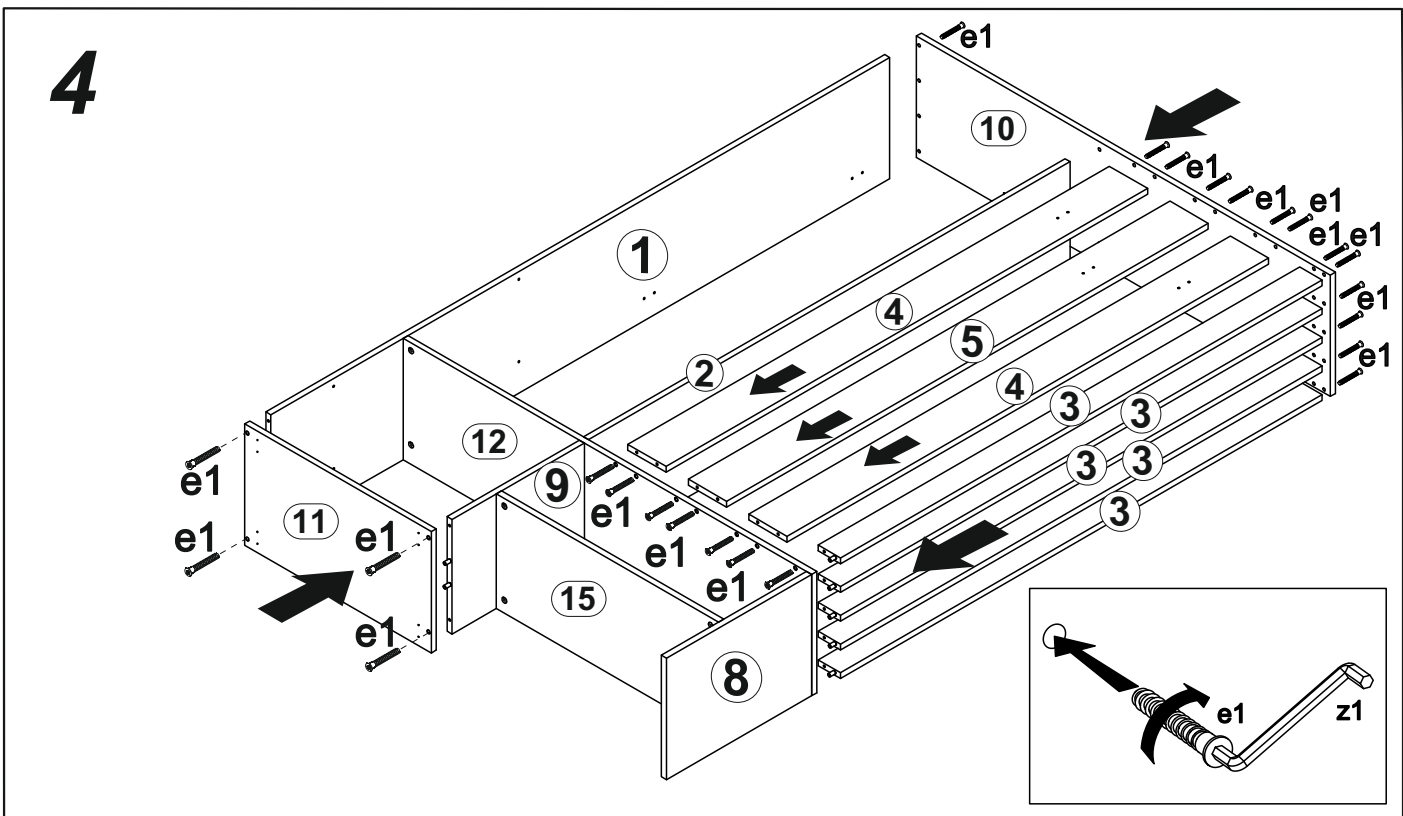
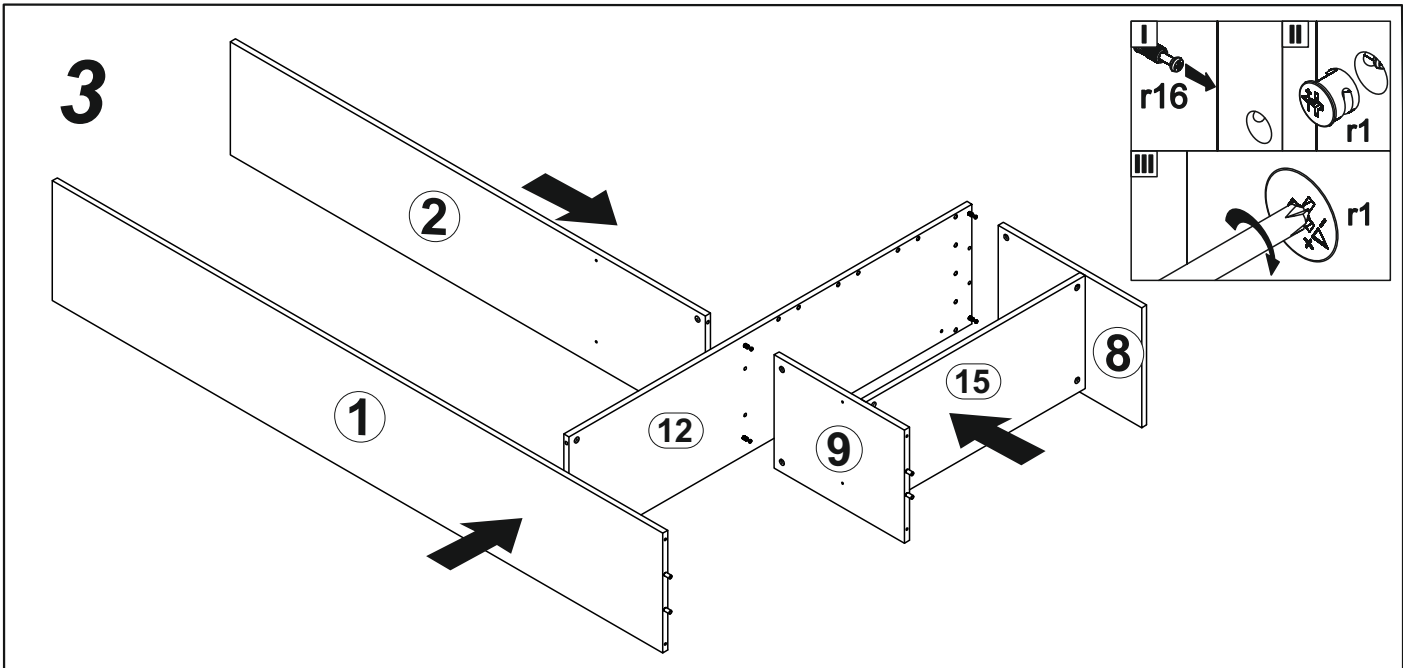
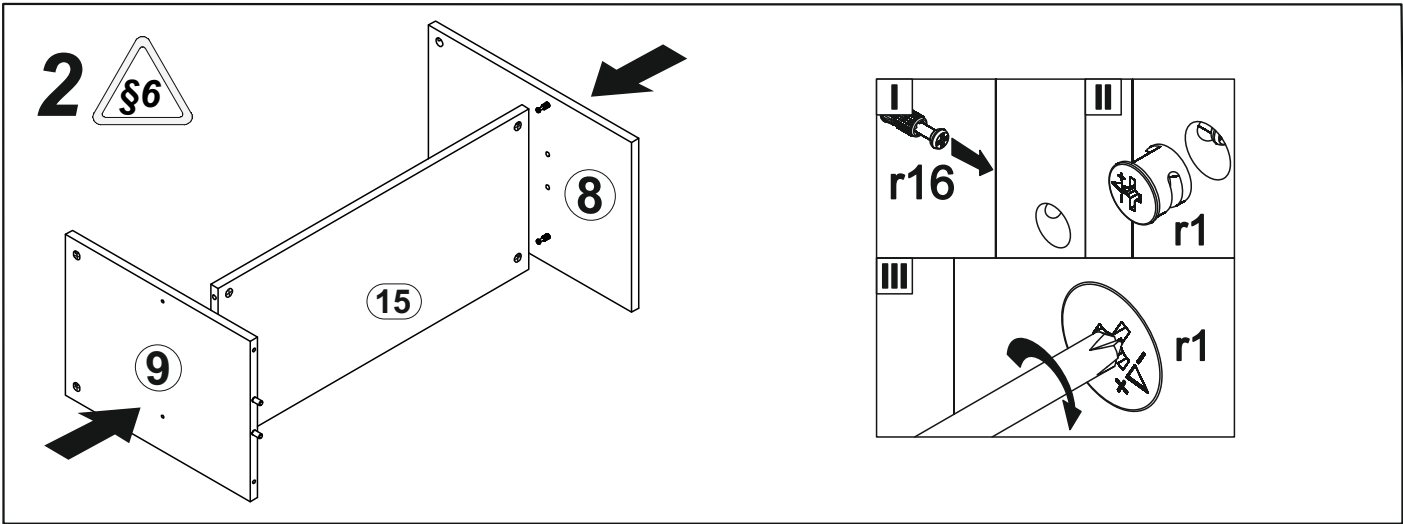
5x a43	2x a44	7x b19	14x $\phi 3,5 \times 15$ mm p51	12x $\phi 15 \times 12$ mm #16 r1	12x 20/9 r16	8x $\phi 5 \times 17$ mm d1
2x L-230 m48	8x $\phi 3,5 \times 13$ mm p1	35x $\phi 7 \times 50$ mm e1	1x z1	5x 20x13x3,5/1 mm n108	5x $\phi 2,9 \times 16$ mm p55	1x 81x21 n14
6x $\phi 20$ s100	25x $\phi 8 \times 30$ mm f1	70x l1	6x $\phi 3,5 \times 16$ mm p38	4x $\phi 3,5 \times 16$ mm p38-CA	4x 60x60x25 mm k55	8x $\phi 4 \times 35$ mm p6
1x L-300 m6/1	3x 32 mm g500	2x c807	2x k1	2x СИЛІКОН o21	6x M4x22 mm j30	1x $\phi 6,3 \times 15$ mm d4

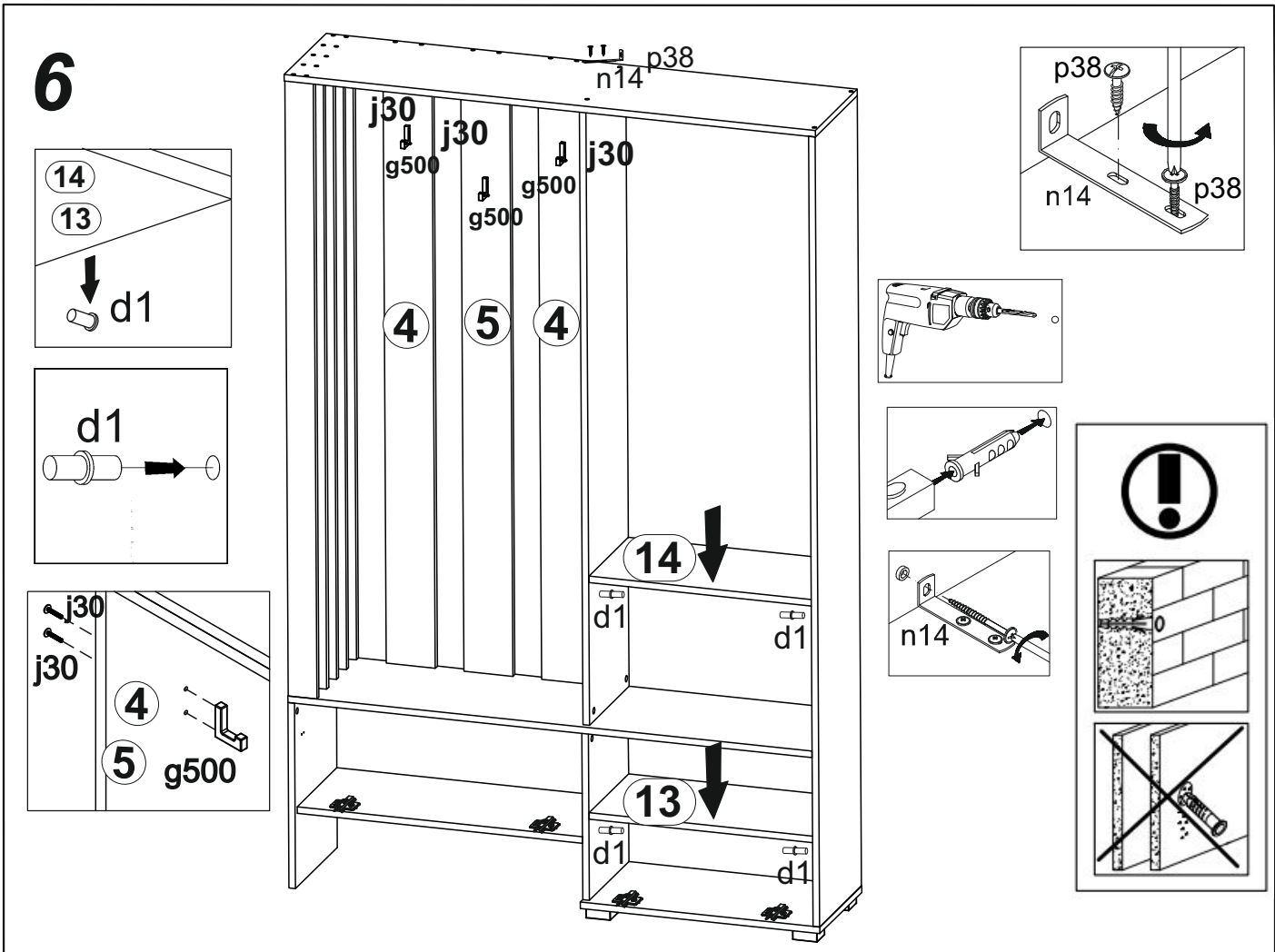
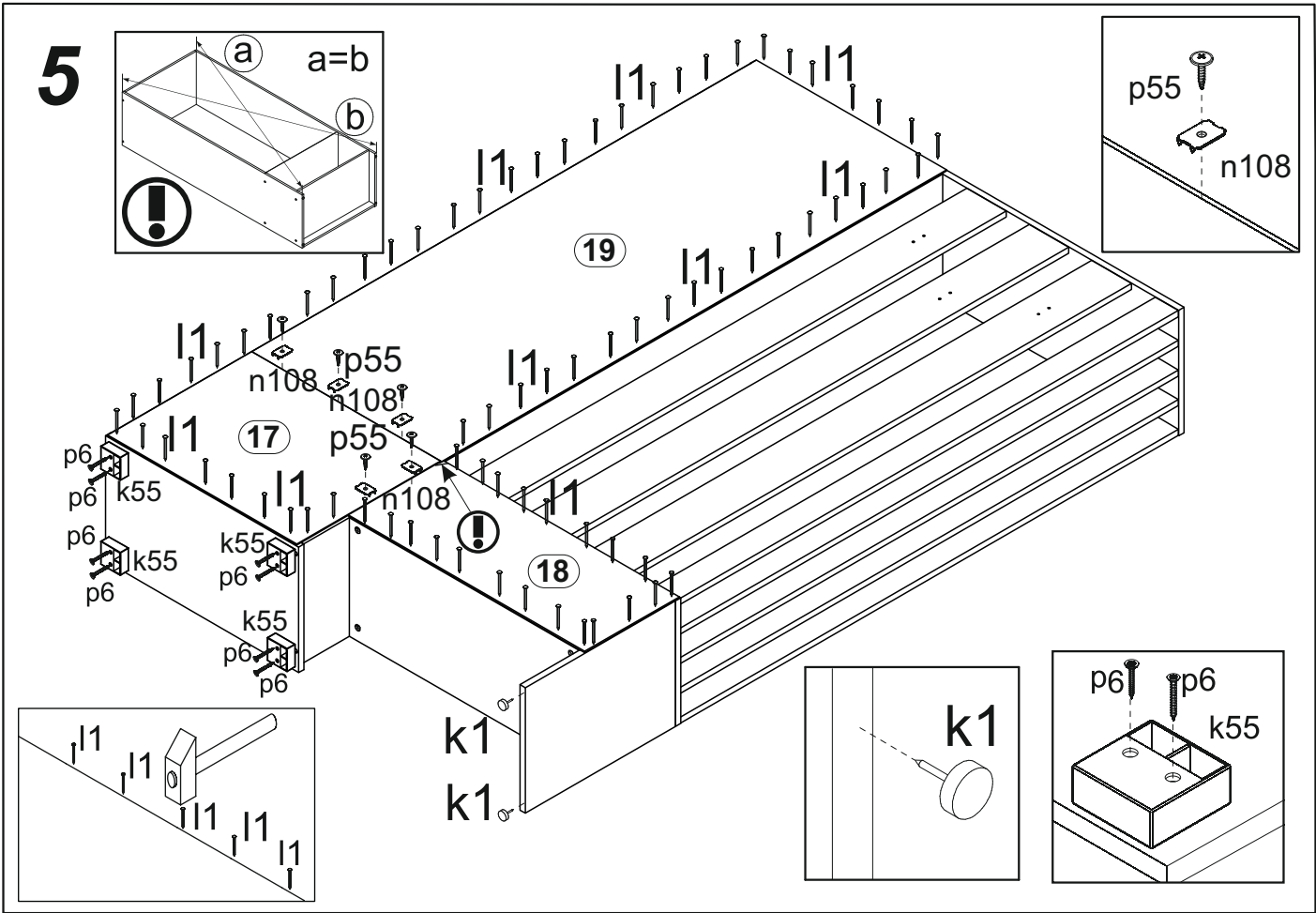




A	B	C	D	
1	DK1-101	1943	330	1/3
2	DK1-106	1512	307	1/3
3	DK1-401	1512	70	1/3
4	DK1-404	1512	120	1/3
5	DK1-405	1512	120	1/3
6	DK1-005	270	690	2/3
7	DK1-006	408	568	2/3
8	DK1-103	456	330	2/3
9	DK1-104	415	312	2/3
10	DK1-201	1300	330	2/3

A	B	C	D	
11	DK1-203	588	330	2/3
12	DK1-301	1283	330	2/3
13	DK1-306	555	310	2/3
14	DK1-308	550	307	2/3
15	DK1-309	696	312	2/3
16	DK1-007	1506	568	3/3
17	DK1-901	437	576	3/3
18	DK1-904	716	287	3/3
19	DK1-905	1533	577	3/3





7

