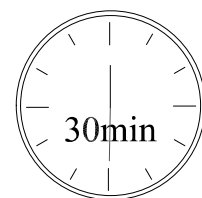
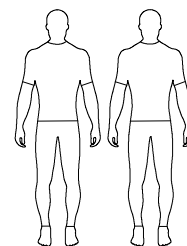
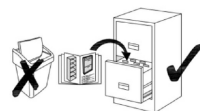
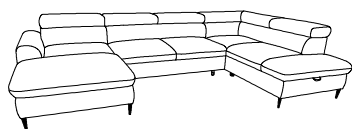
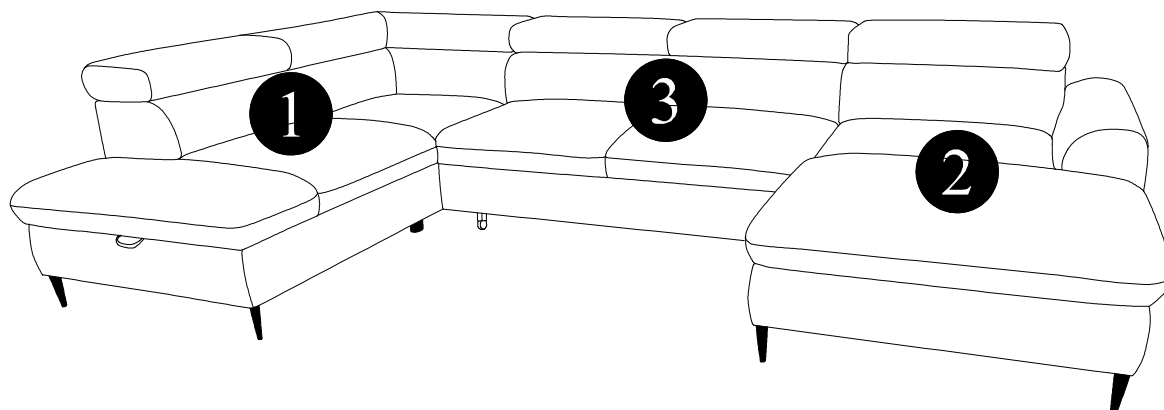


RADOLA XL

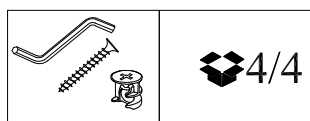
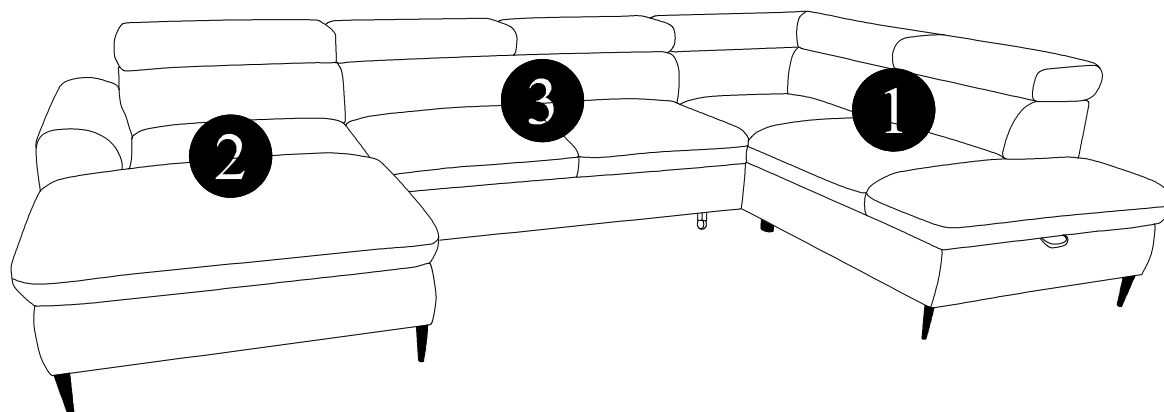





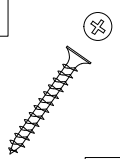
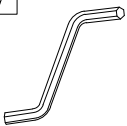
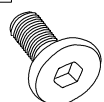

Teil	Pcs	Colli
①	1x	1/4
②	1x	2/4
③	1x	3/4

L

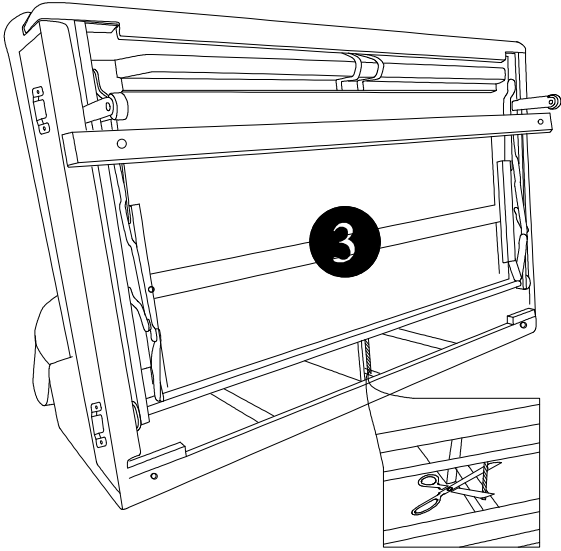


P

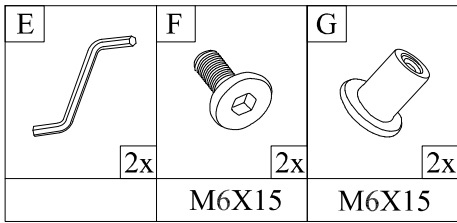
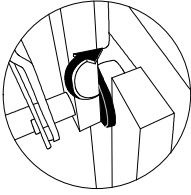
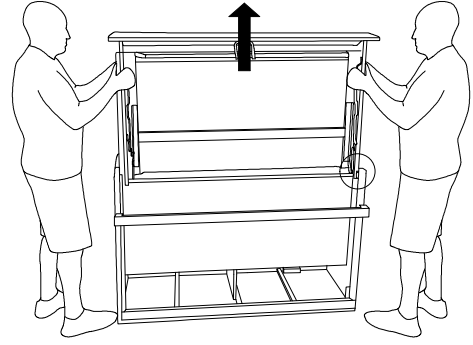


A	B	C	D	E	F	G
						
4x	9x	2x	16x	2x	2x	2x
H-120	H-120	H-80	5x25		M6X15	M6X15

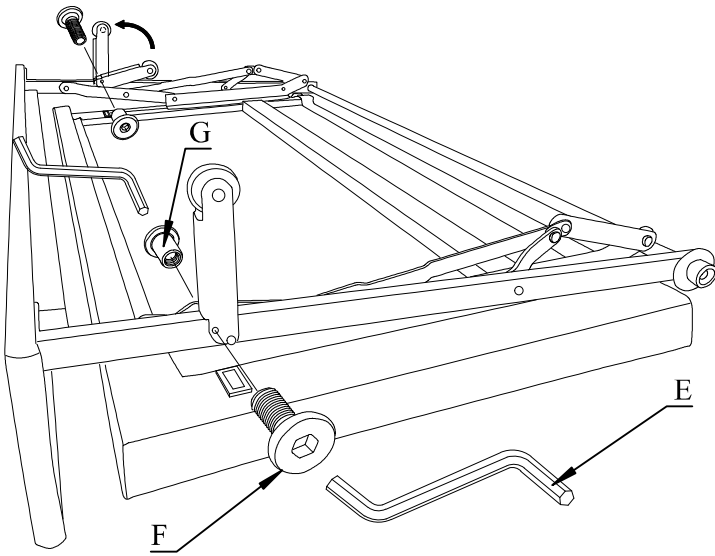
1



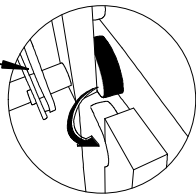
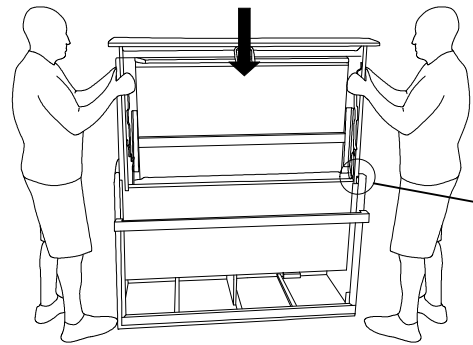
2

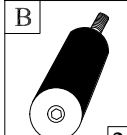
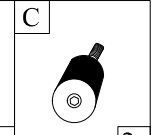


3

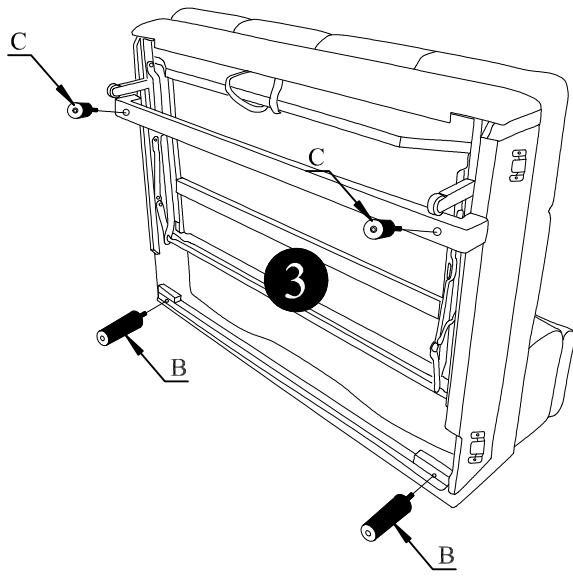


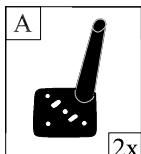
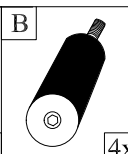
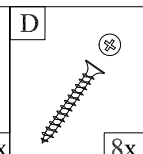
4



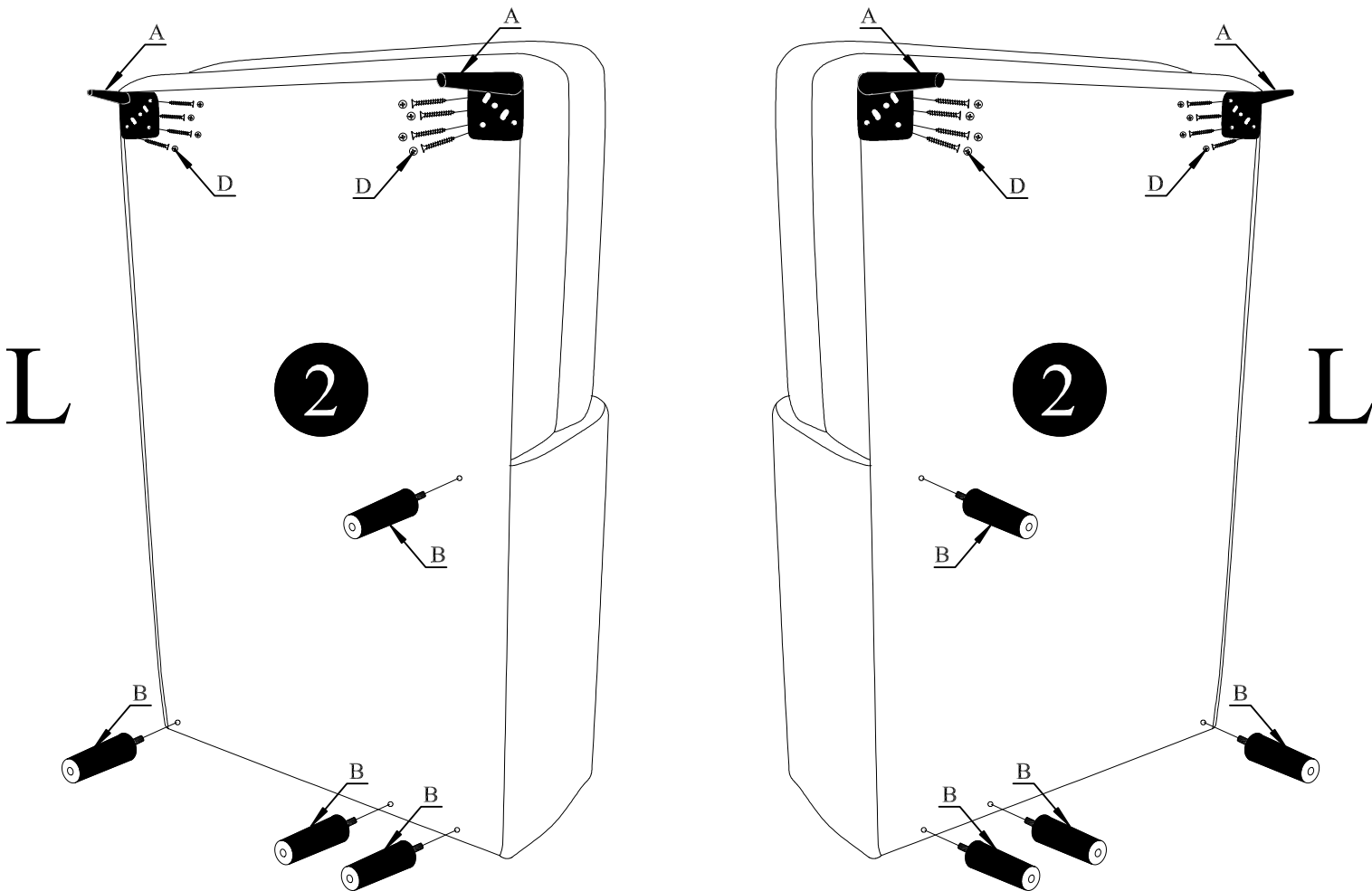
	
2x	2x
H-120	H-80



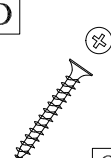
5 L/P



		
2x	4x	8x
H-120	H-120	5x25

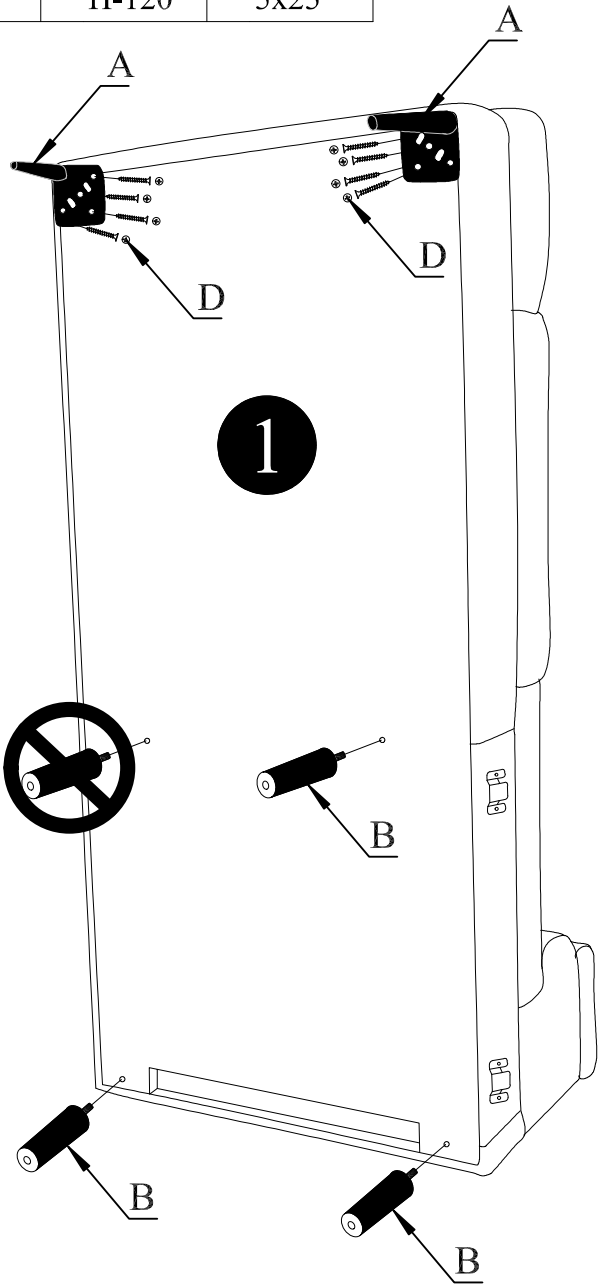
6



 <p>A</p>	 <p>B</p>	 <p>D</p>
<p>2x</p> <p>H-120</p>	<p>3x</p> <p>H-120</p>	<p>8x</p> <p>5x25</p>

7

L



R

