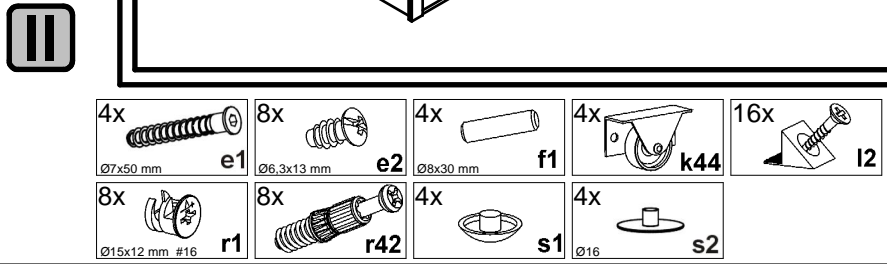
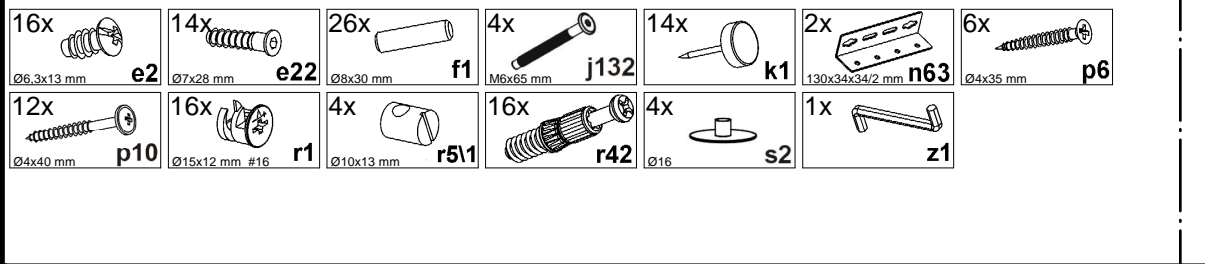
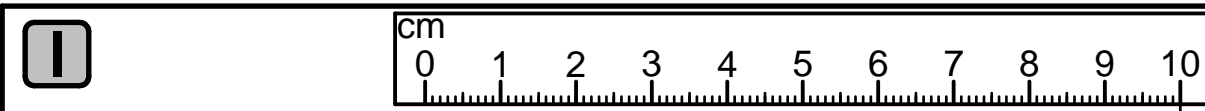
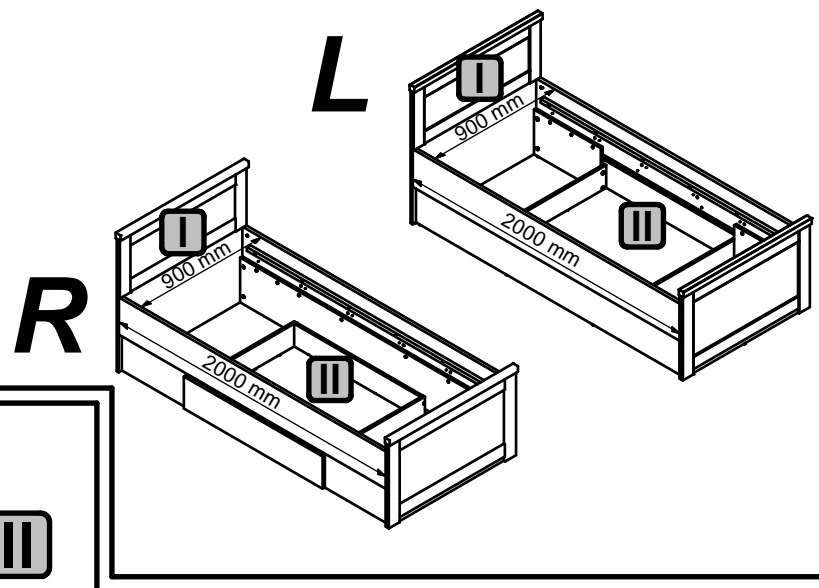
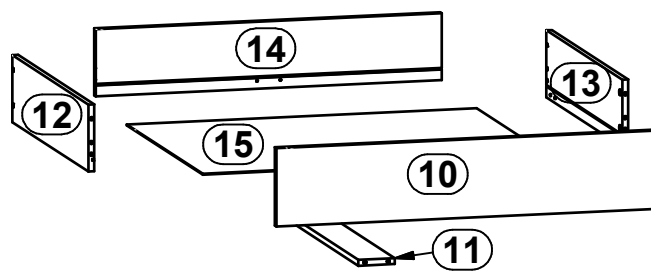
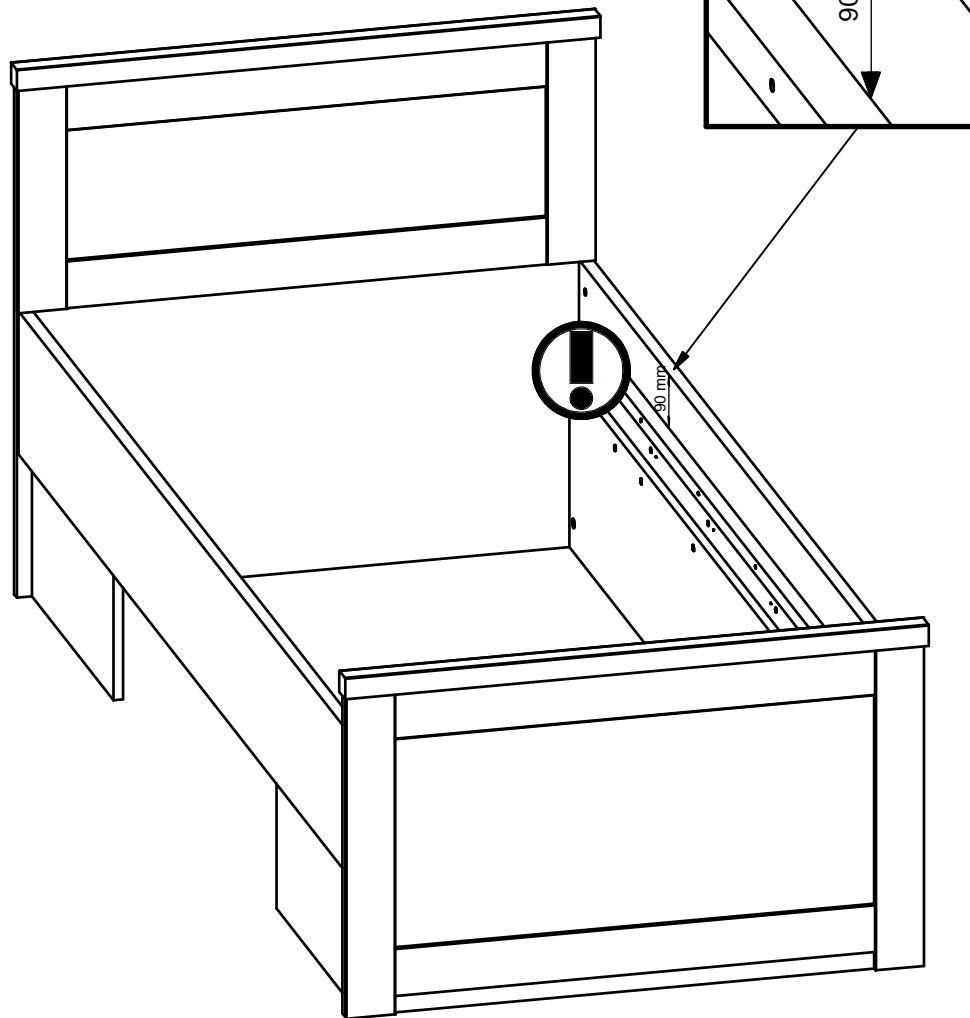


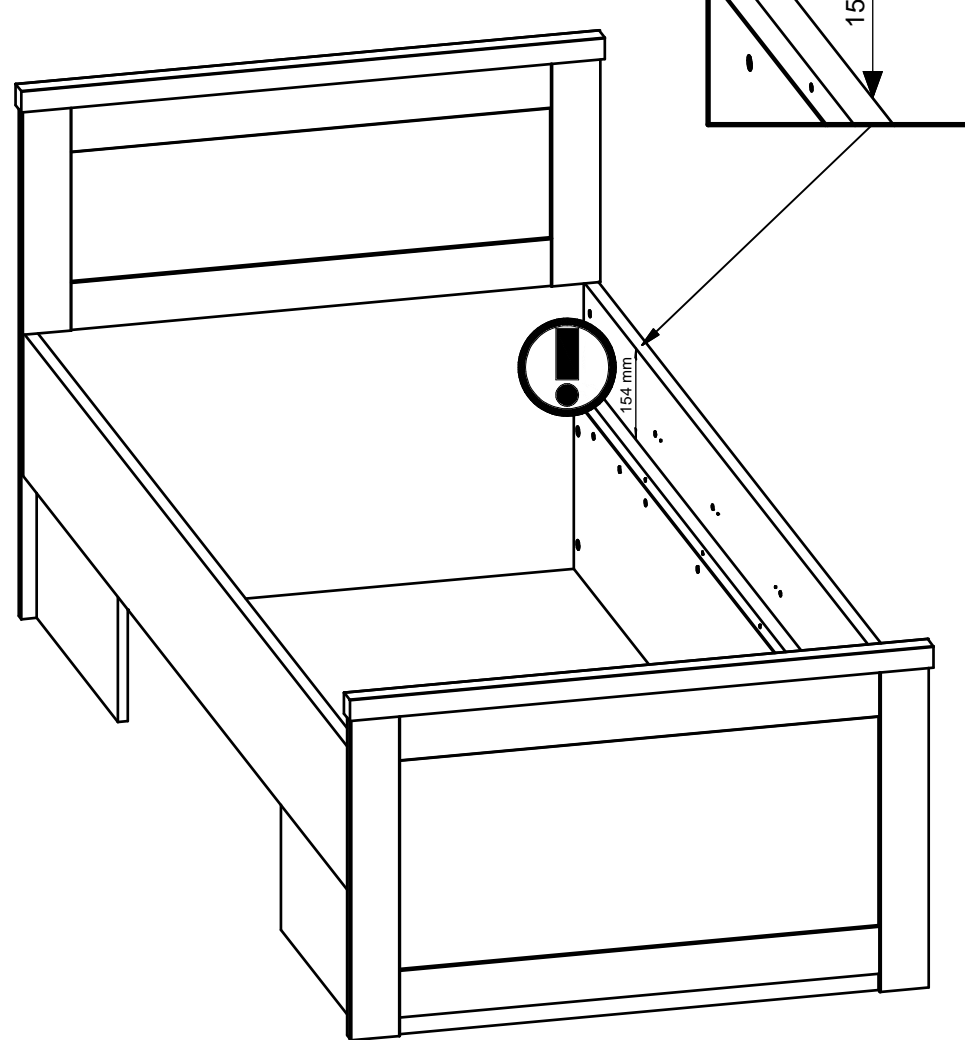
A	B	C (mm)		D
1	L30-402	500	290	1/3
2	L30-403	500	290	1/3
3	S328-013	950	864	1/3
4	S328-014	950	544	2/3
5	S328-122	2000	242	3/3
6	S328-123	2000	242	3/3
7	S328-407	2000	290	3/3
8	S328-581	960	36	3/3
9	ZZ1-747	1880	25	3/3



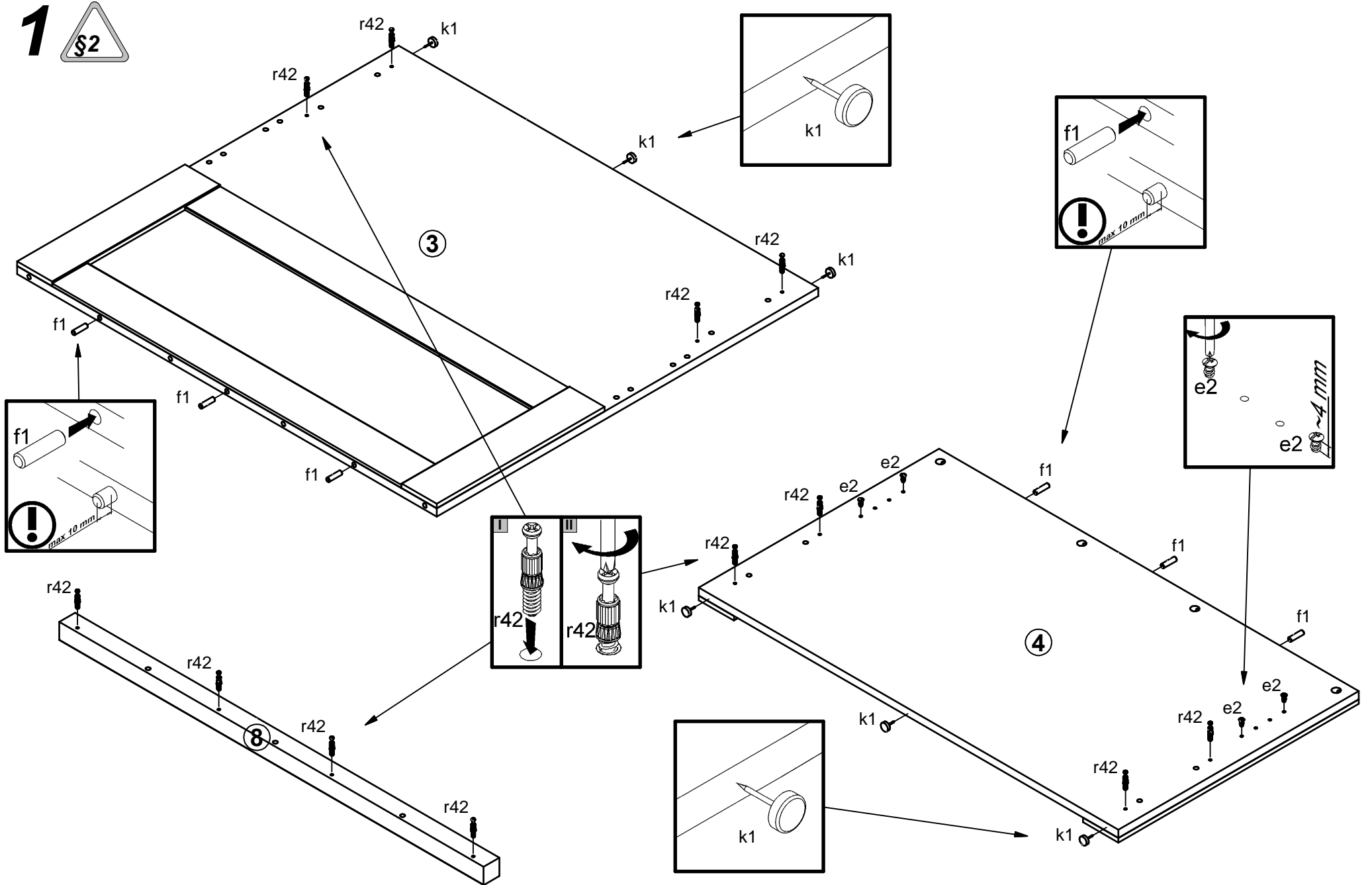
A  §14



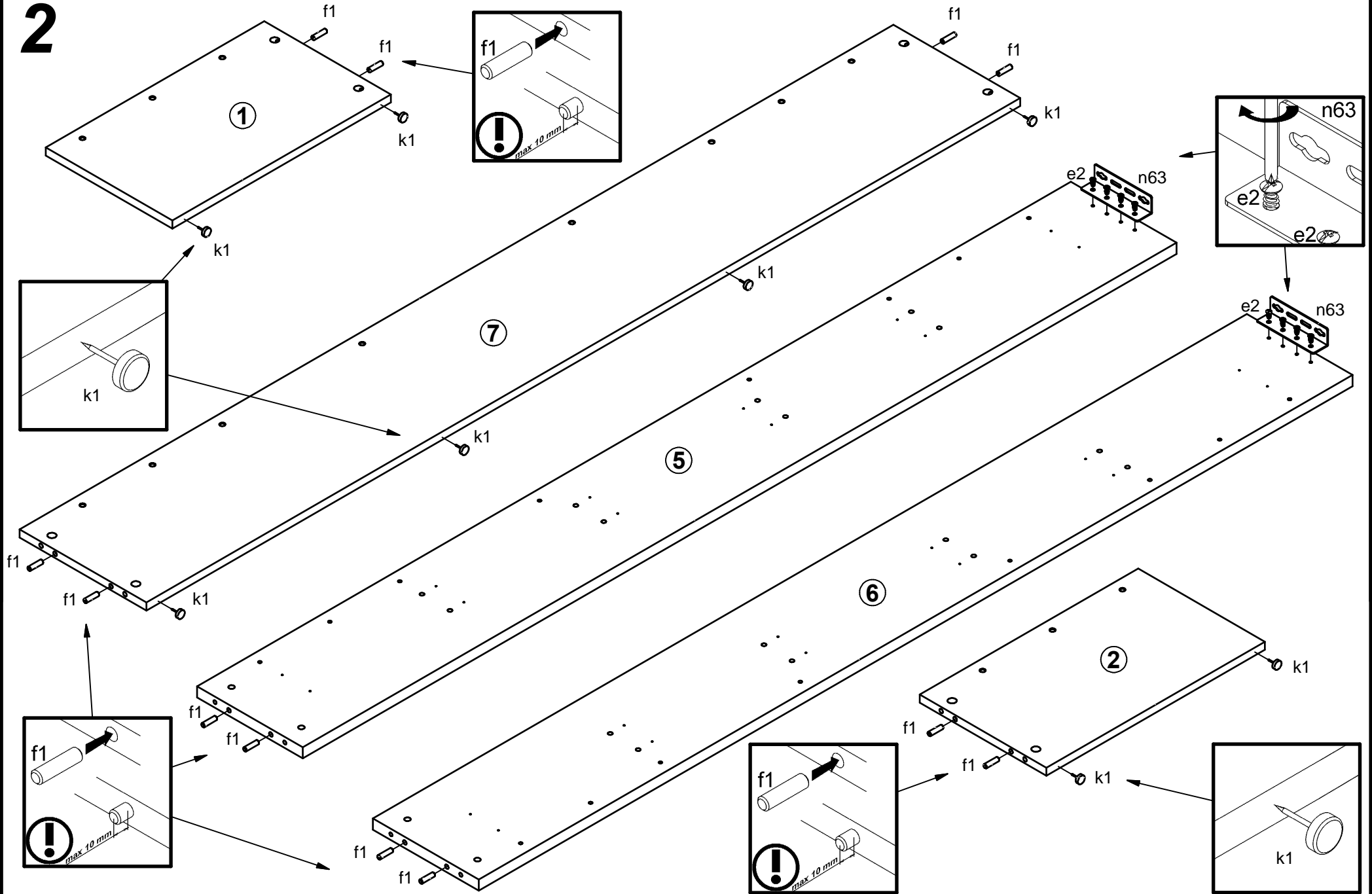
B  §14

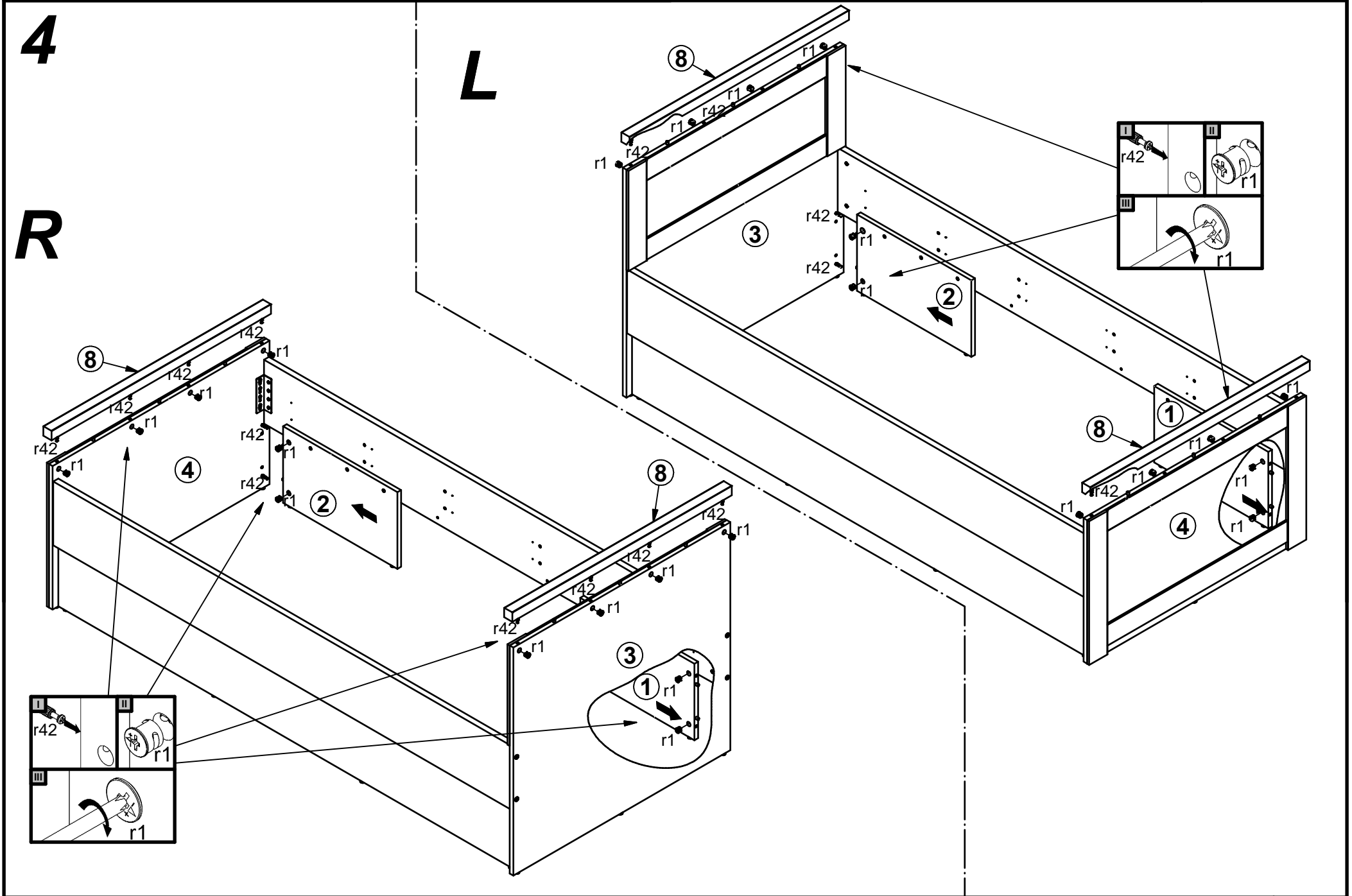


1 §2

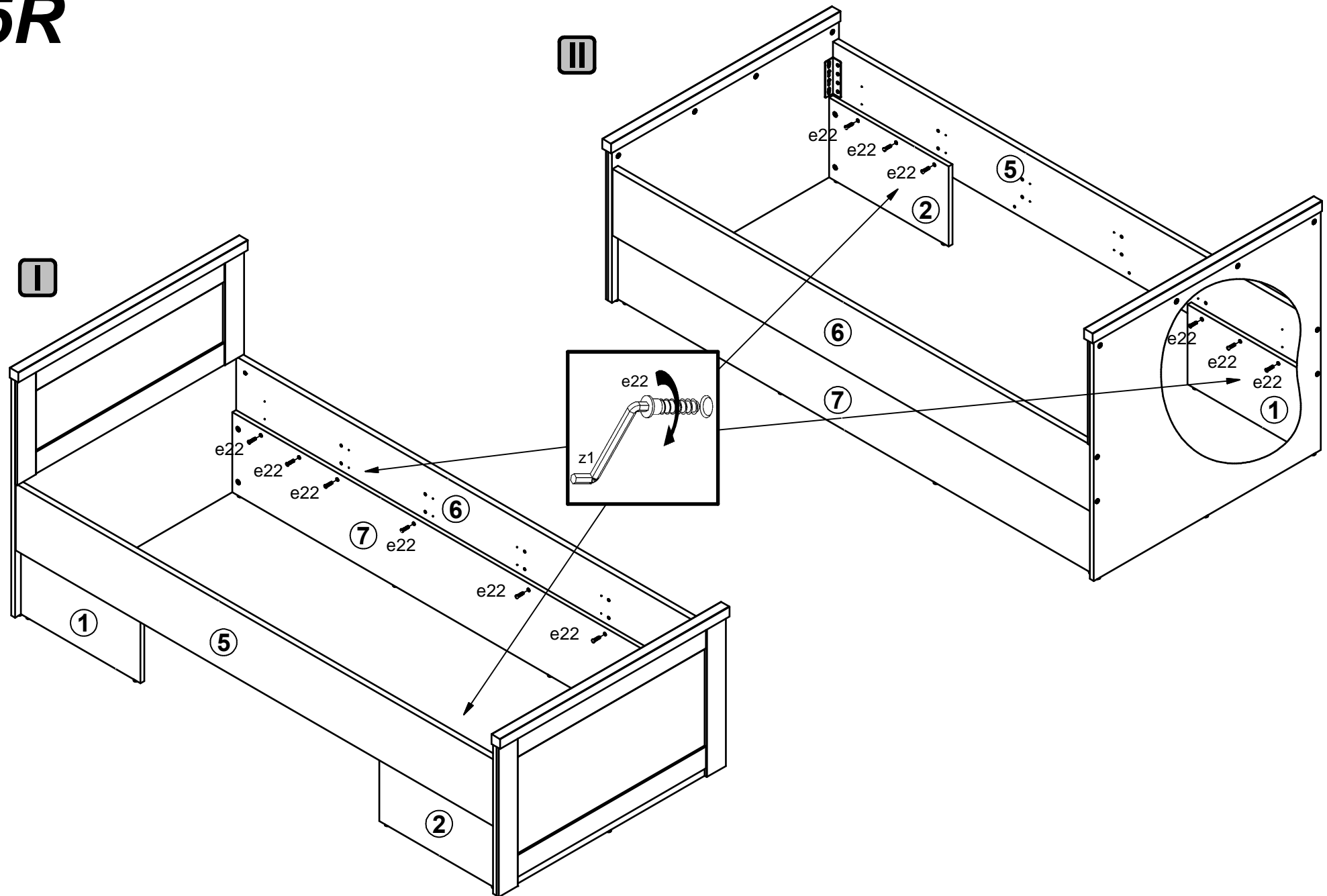


2





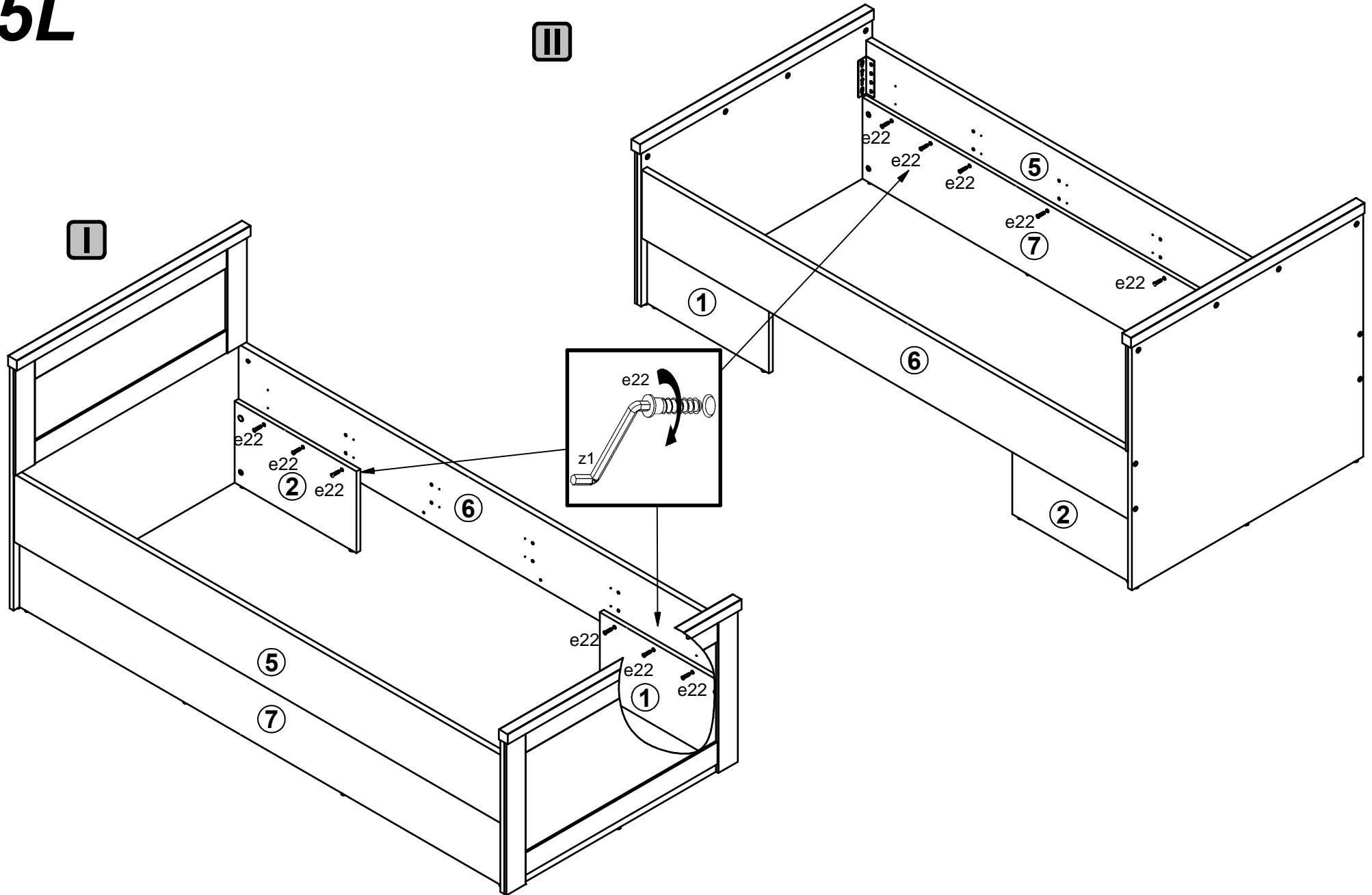
5R



5L

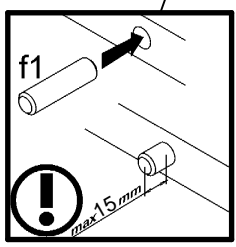
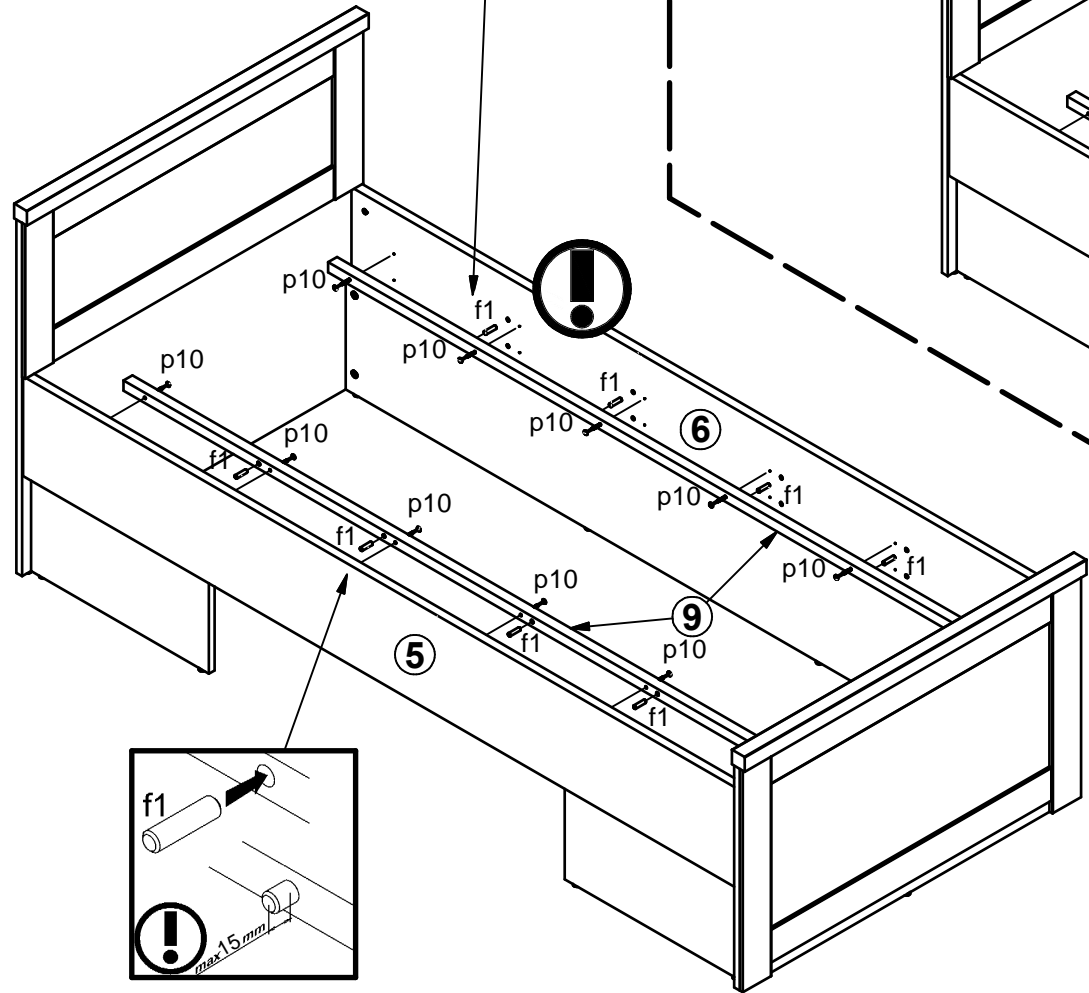
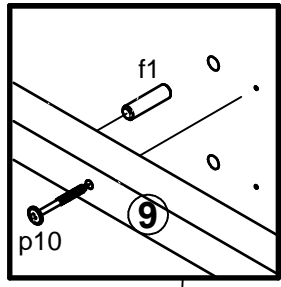
II

I

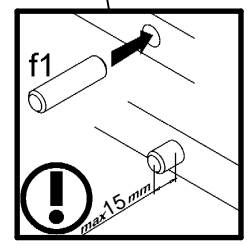
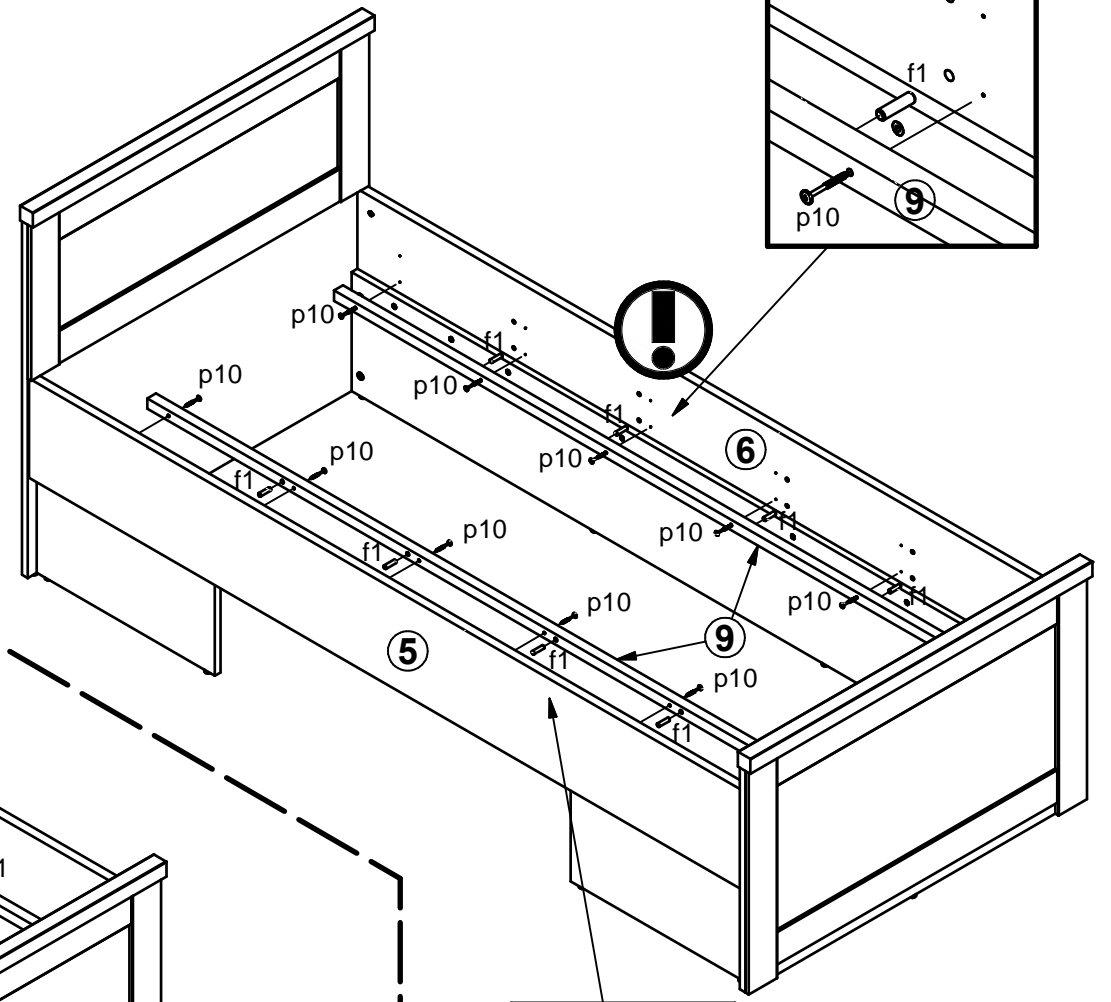
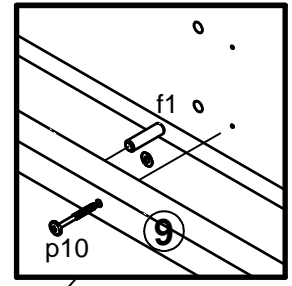


6R

A



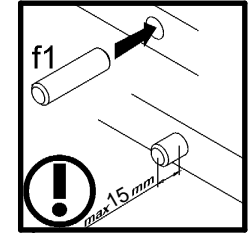
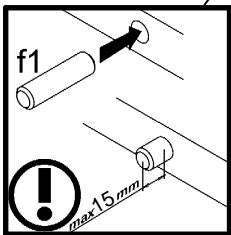
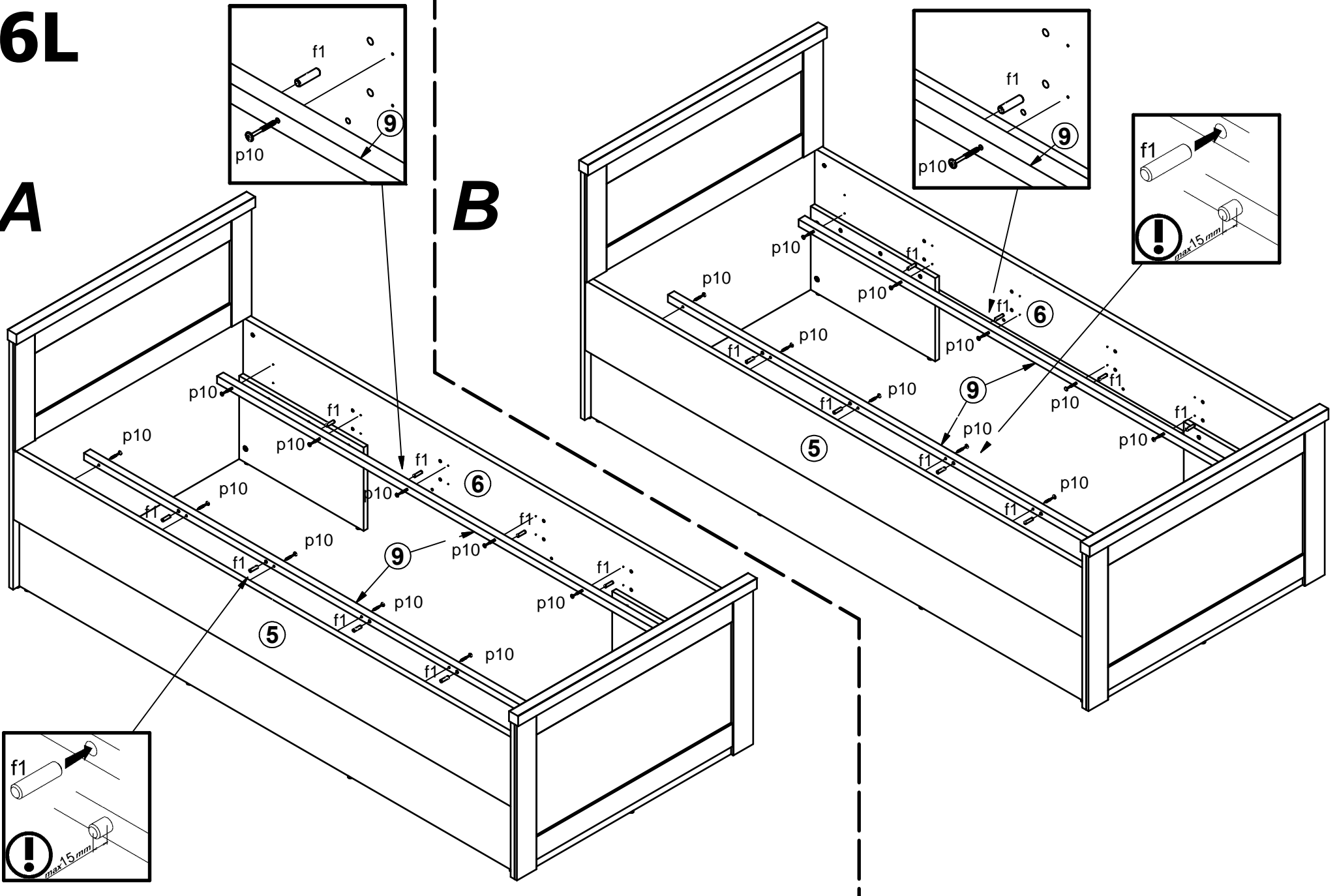
B



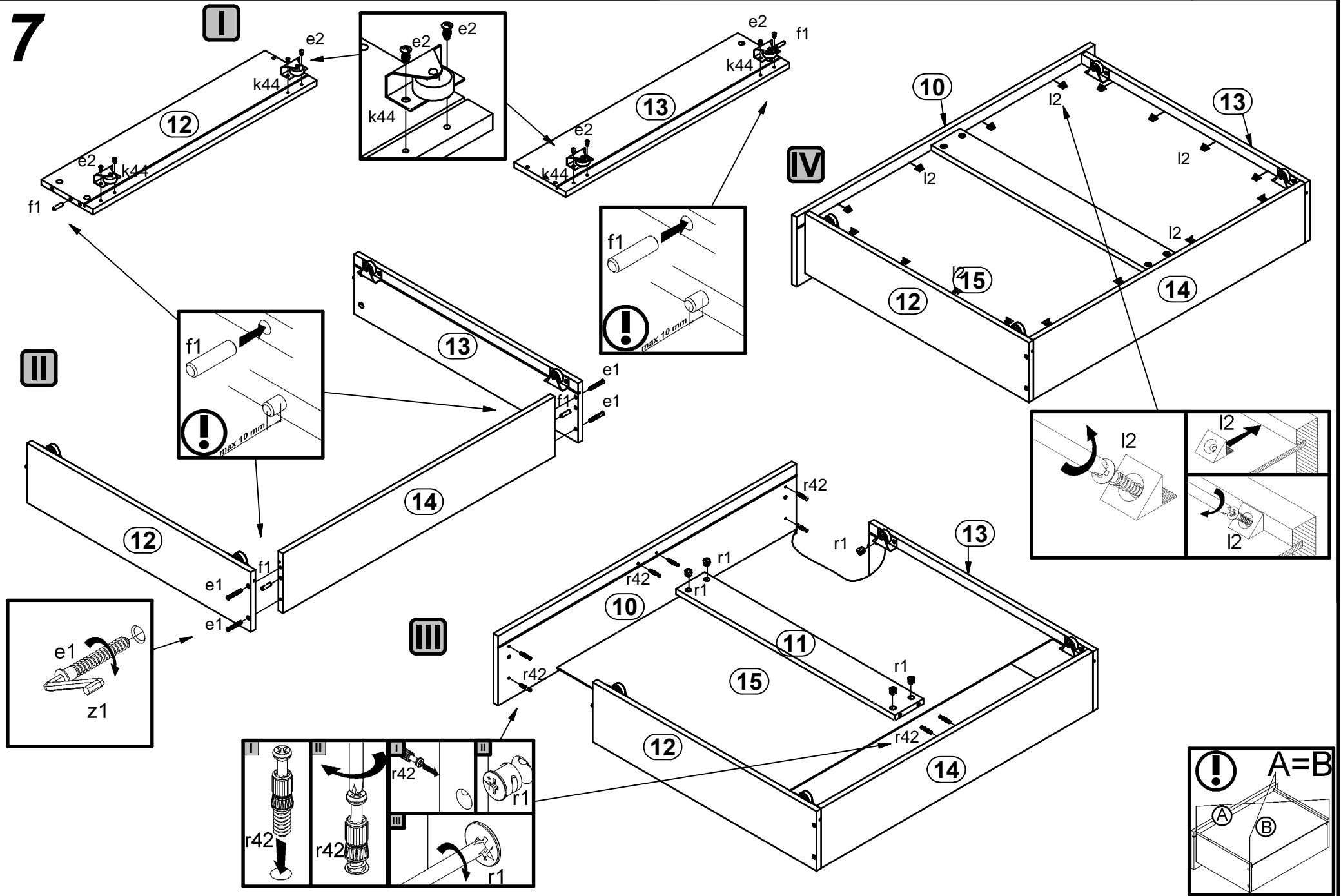
6L

A

B



7



8

R

L

