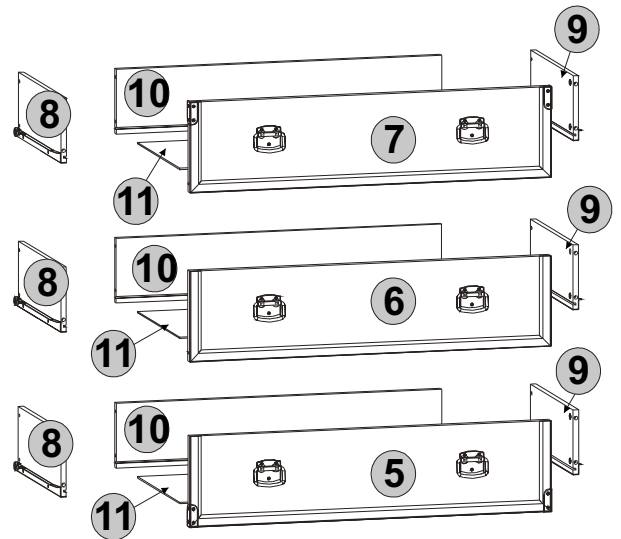
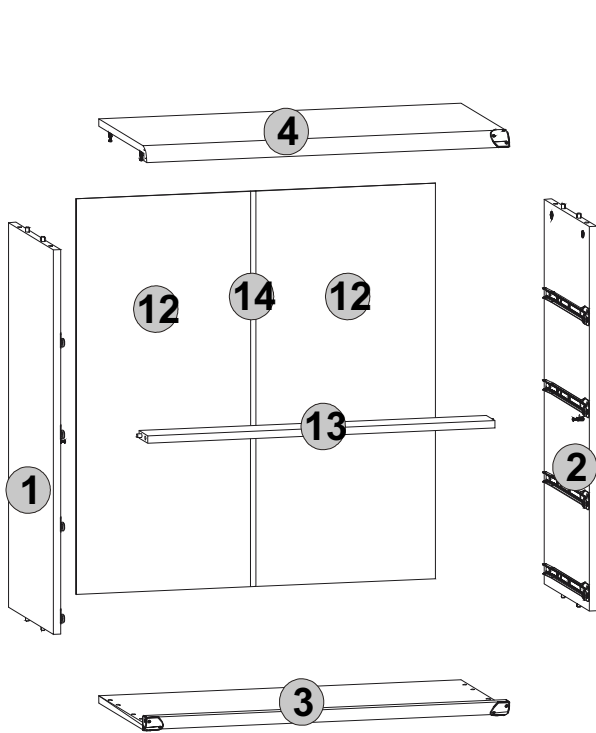
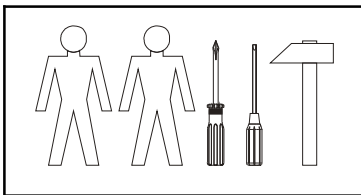


# INDIANA 2

JKOM 4s/80

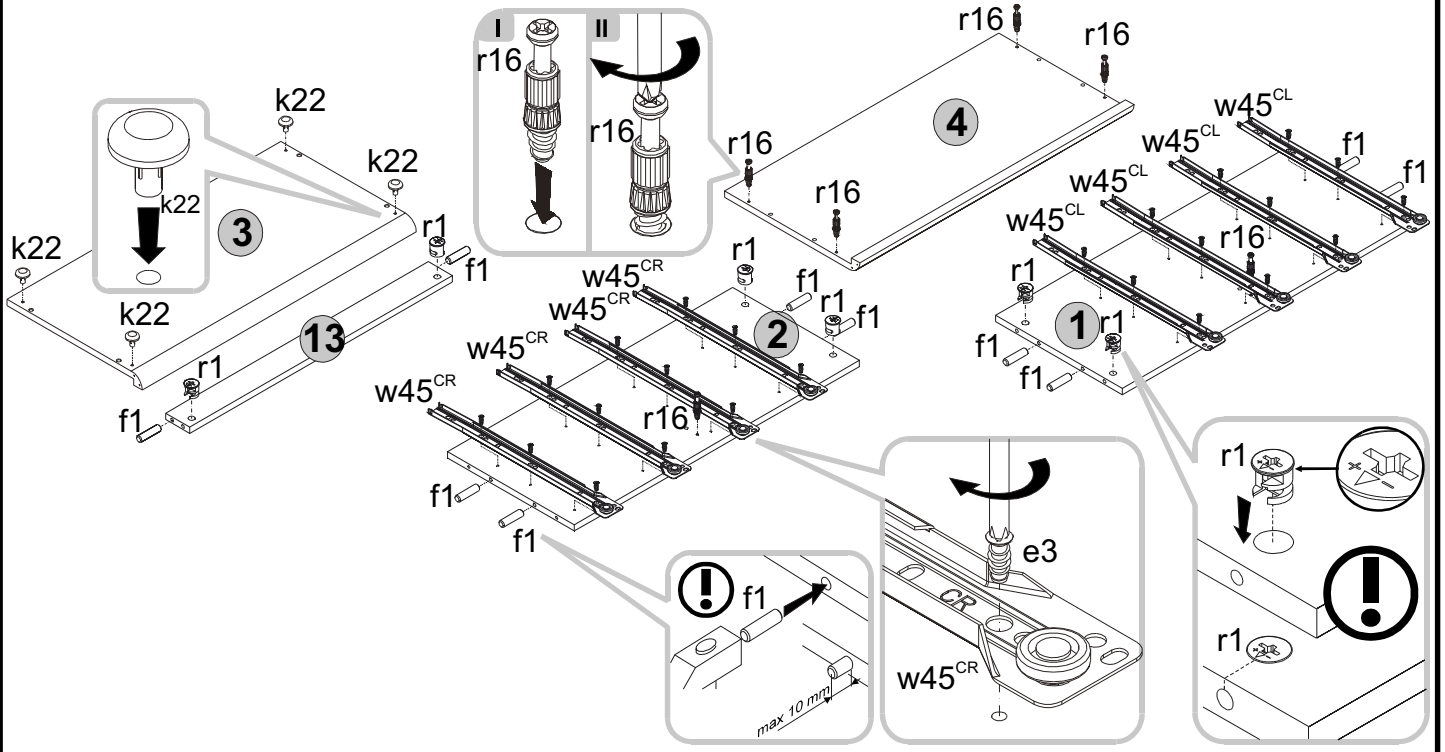


	A	C	B	D
1	832x370	S31-109A	1/3	
2	832x370	S31-110A	1/3	
3	800x395	S31-207	2/3	
4	800x395	S31-208	2/3	
5	796x196	S31-0002	3/3	
6	796x196	S31-0006	3/3	
7	796x196	S31-0003	3/3	
8	350x140	S31-5504	1/3	
9	350x140	S31-5505	1/3	
10	710x140	S31-5503	1/3	
11	720x348	S31-9910	1/3	
12	856x396	S31-1909	1/3	
13	767x70	S31-431	1/3	
14	826x14	Lh-826	1/3	

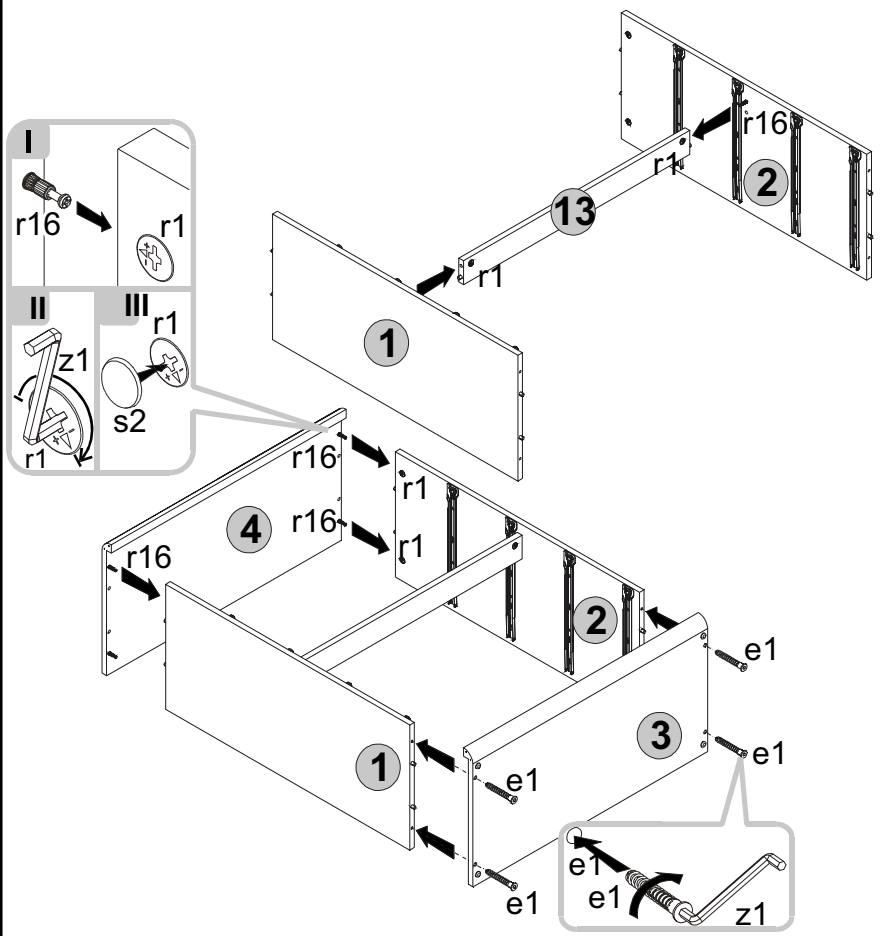


16x φ5x9 mm <b>e19</b>	10x φ8x30 mm <b>f1</b>	16x φ6.5x40 mm <b>f25</b>	16x M4x22 mm <b>j30</b>	8x 32 mm <b>c158</b>	4x φ7x50 mm <b>e1</b>	24x φ6x13 mm <b>e3</b>
2x <b>i28<sup>L</sup></b>	2x <b>i28<sup>P</sup></b>	8x φ3.5x16 mm <b>p25</b>	16x φ3x12 mm <b>p83</b>	4x φ15 <b>k22</b>	35x <b>l1</b>	4x <b>i27</b>
4x 333 mm <b>t19</b>	4x 350 mm <b>w45<sup>CL</sup></b>	4x 350 mm <b>w45<sup>CR</sup></b>	4x 350 mm <b>w45<sup>DL</sup></b>	4x 350 mm <b>w45<sup>DR</sup></b>	1x <b>z1</b>	2x ø16 <b>s2</b>

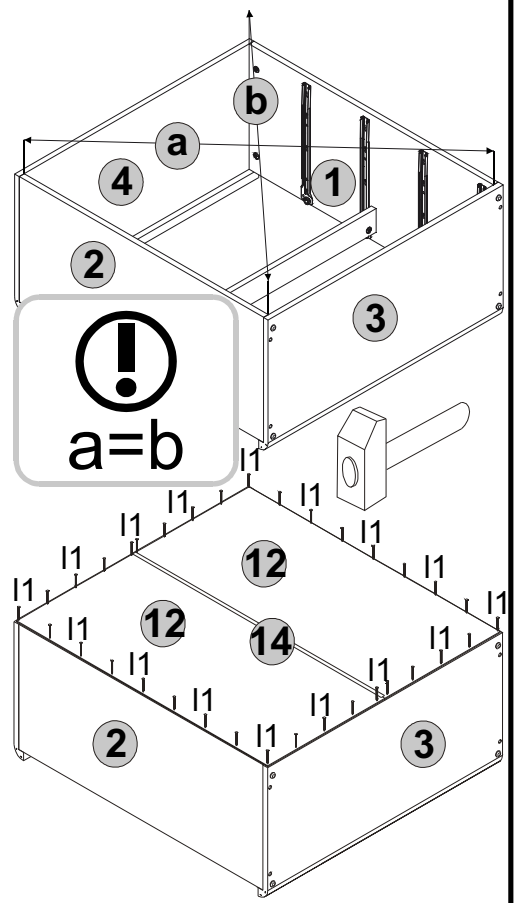
# 1



# 2



# 3



# 4 JKOM4s/80

