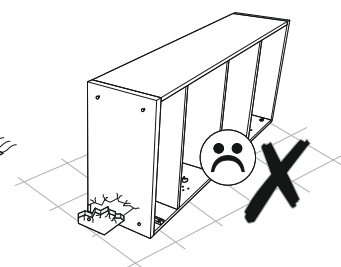
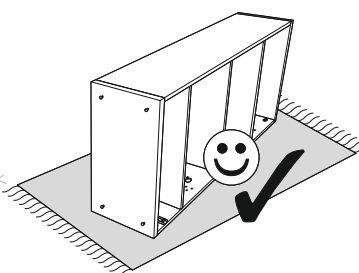
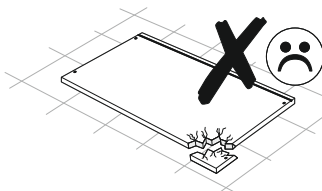
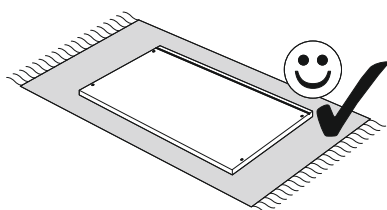
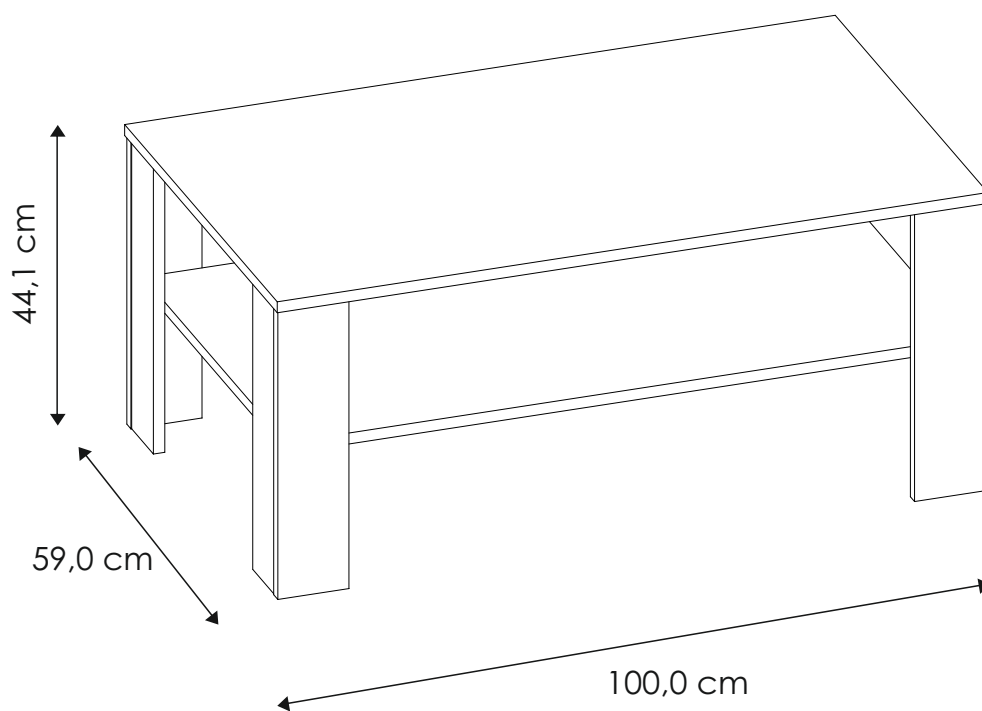
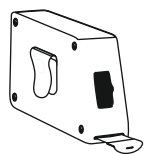
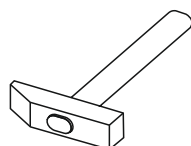
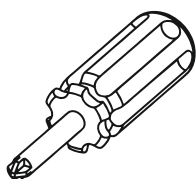
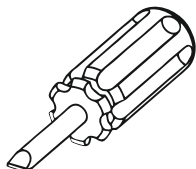
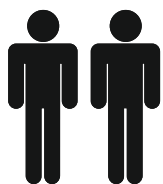
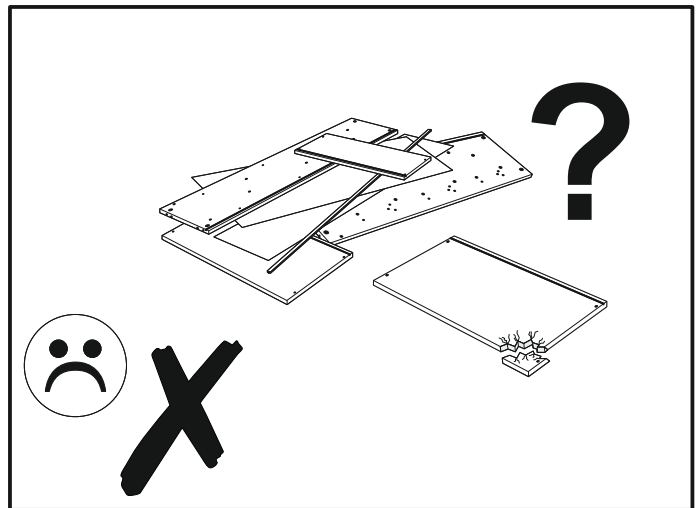
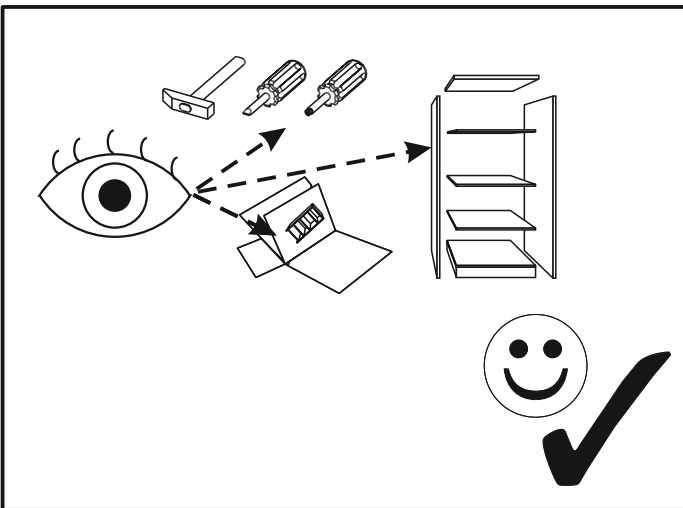
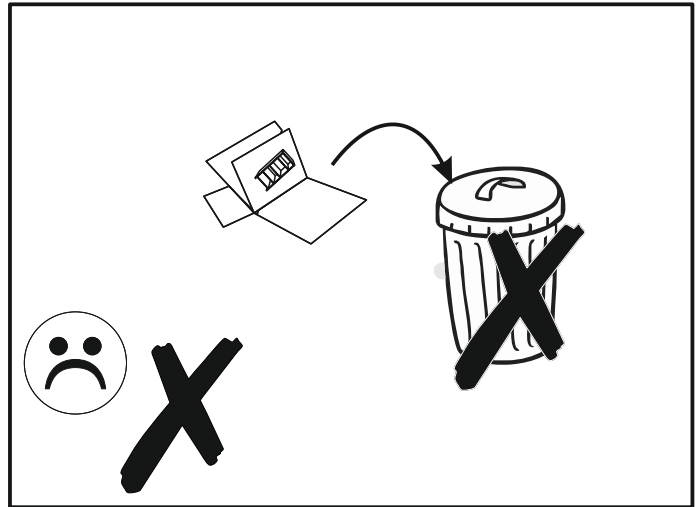
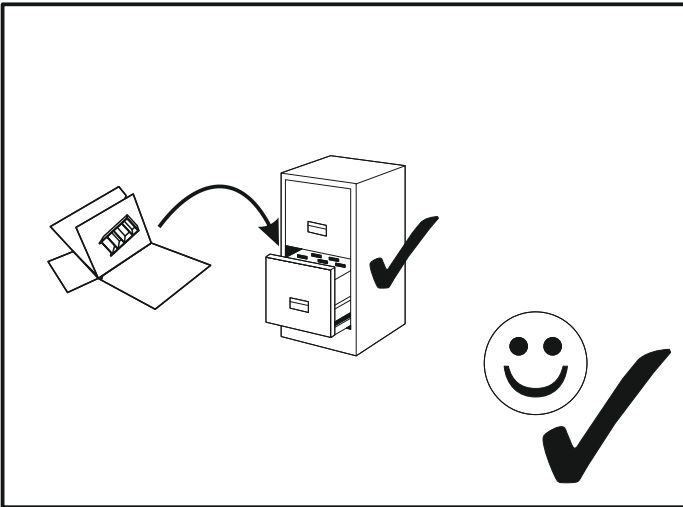
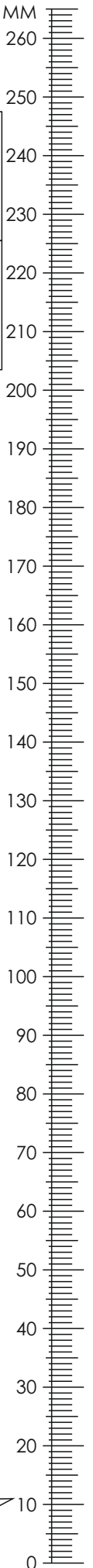


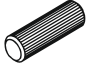


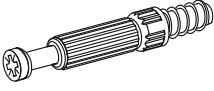
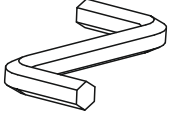

VET04

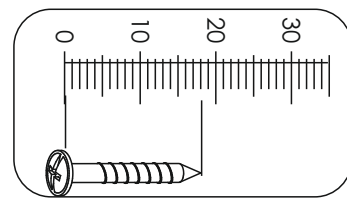




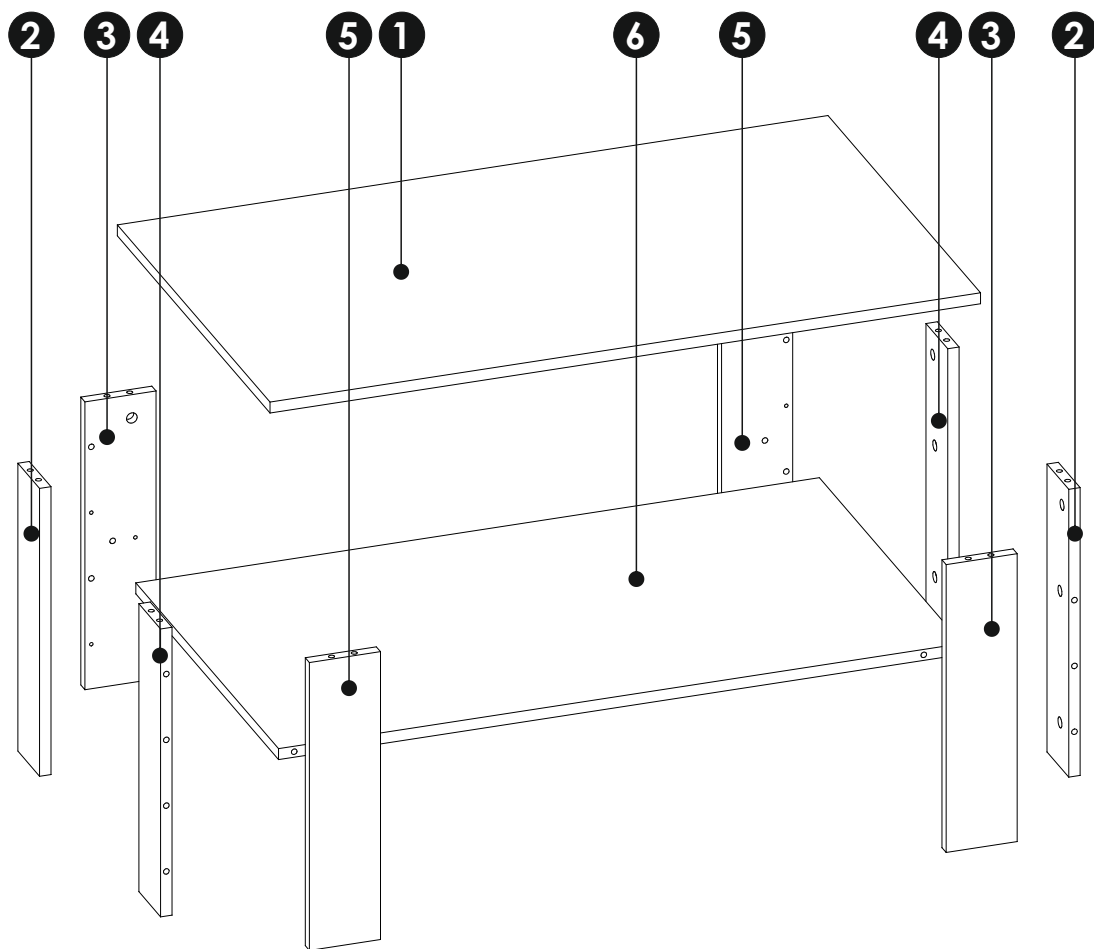
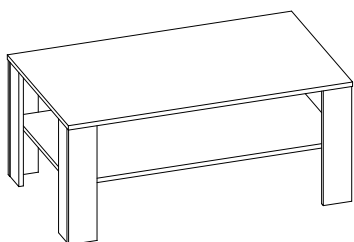
VET04



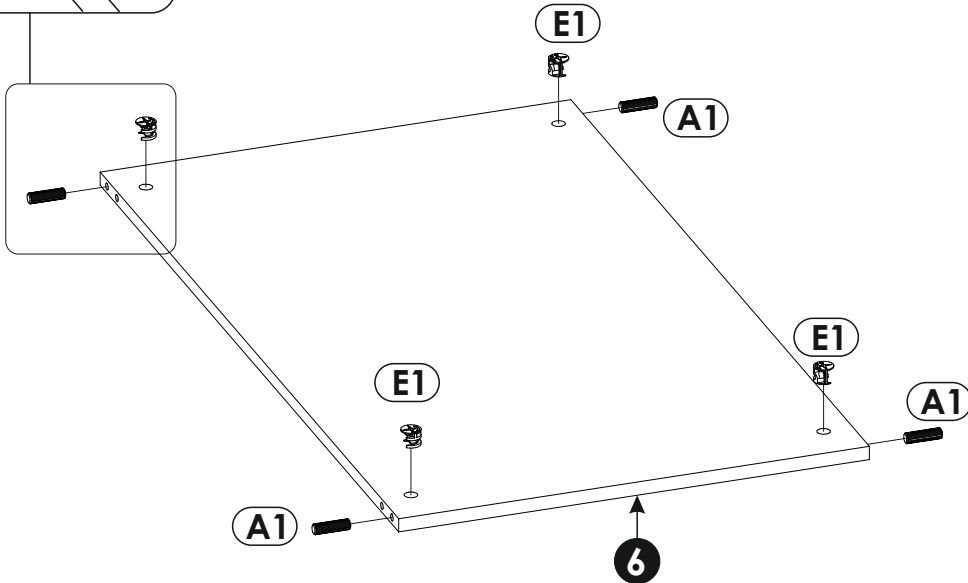
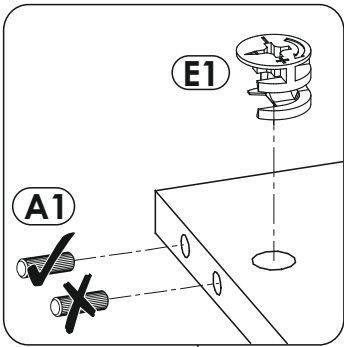
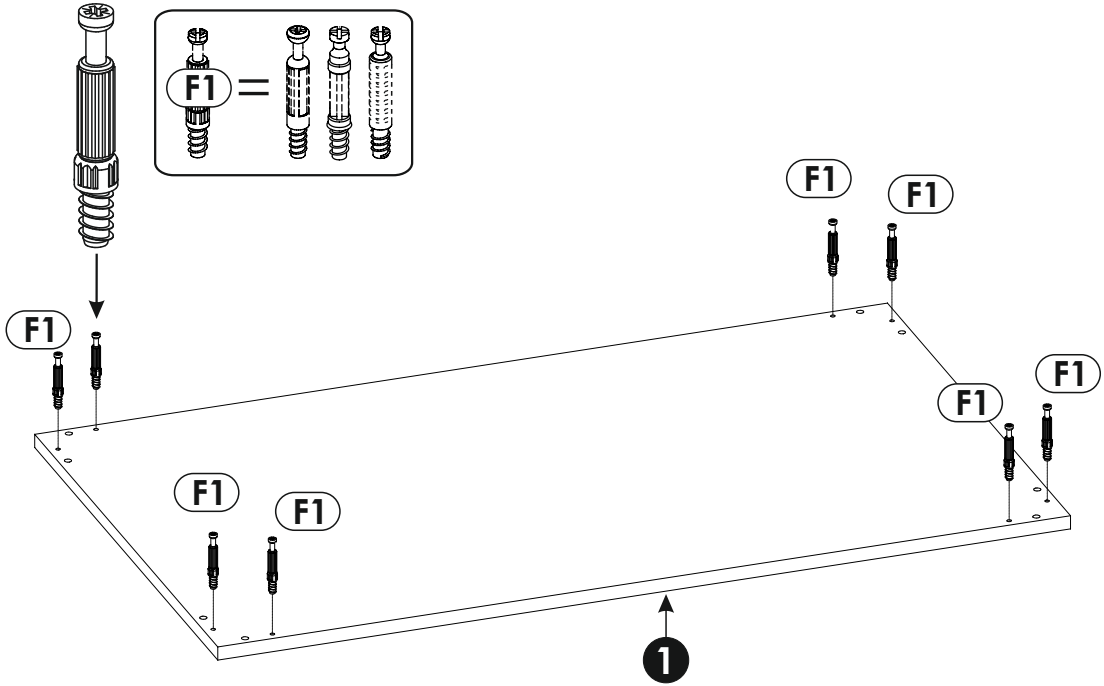
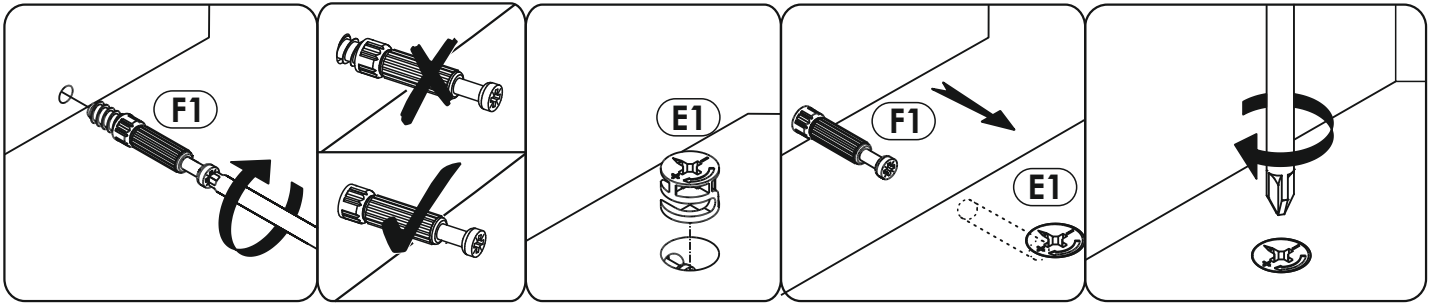
A1 8 x 35 mm x20 	E1 15 x 12 mm x20 	E0 x20 
F1 6 x 34 mm x20 	M x1 	O2 x8 



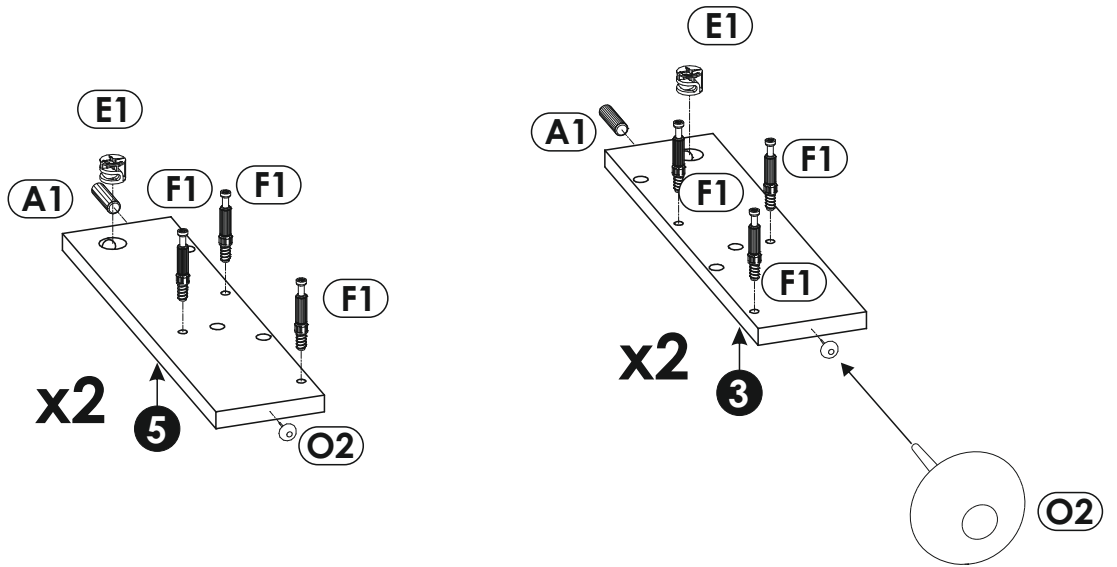
VET04



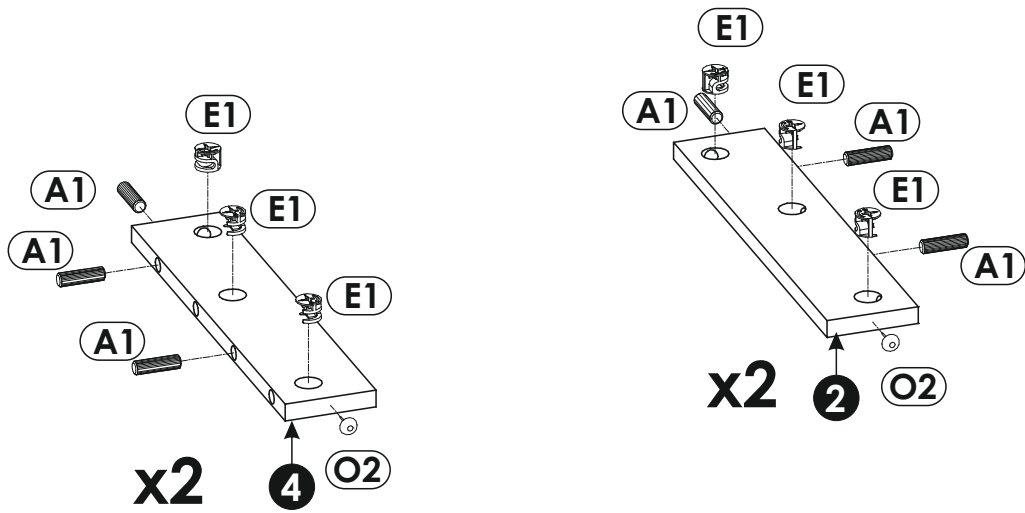
1	1000	590	16	x1	1/1
2	420	84	16	x2	1/1
3	420	100	16	x2	1/1
4	420	84	16	x2	1/1
5	420	100	16	x2	1/1
6	962	552	16	x1	1/1



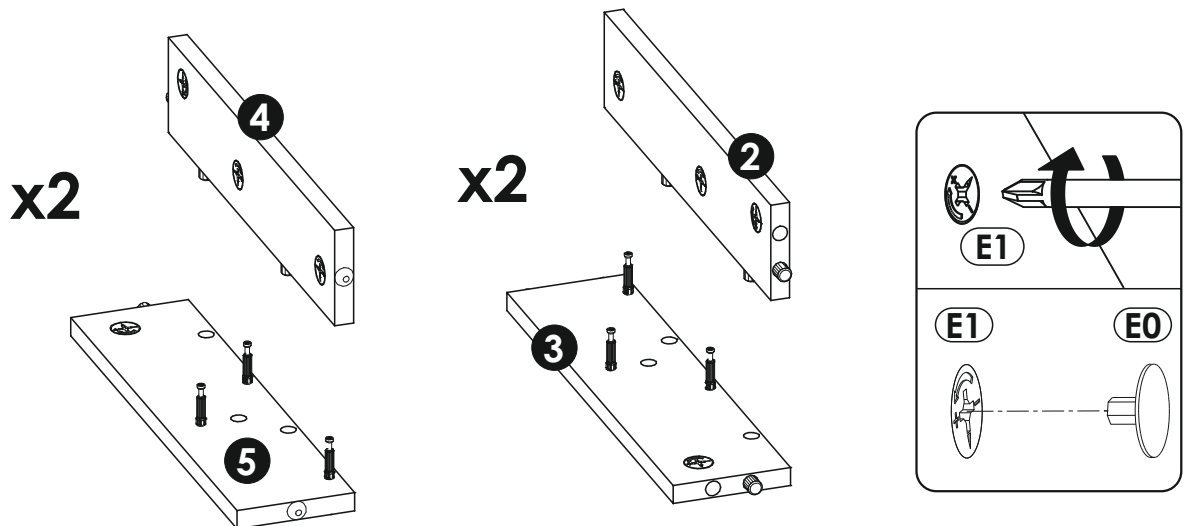
2▶



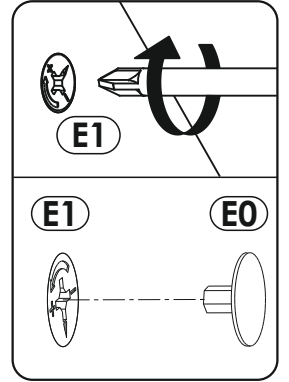
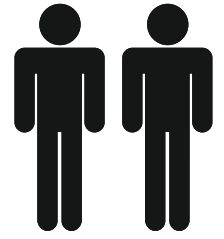
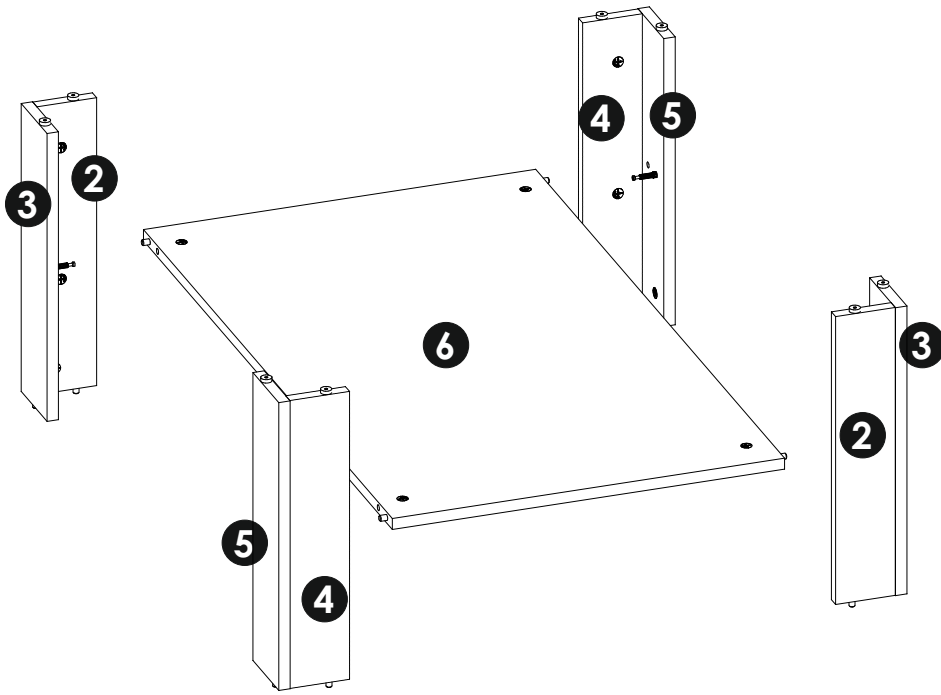
3▶



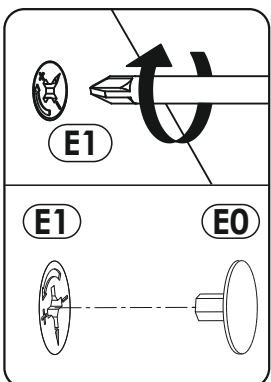
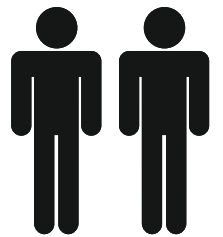
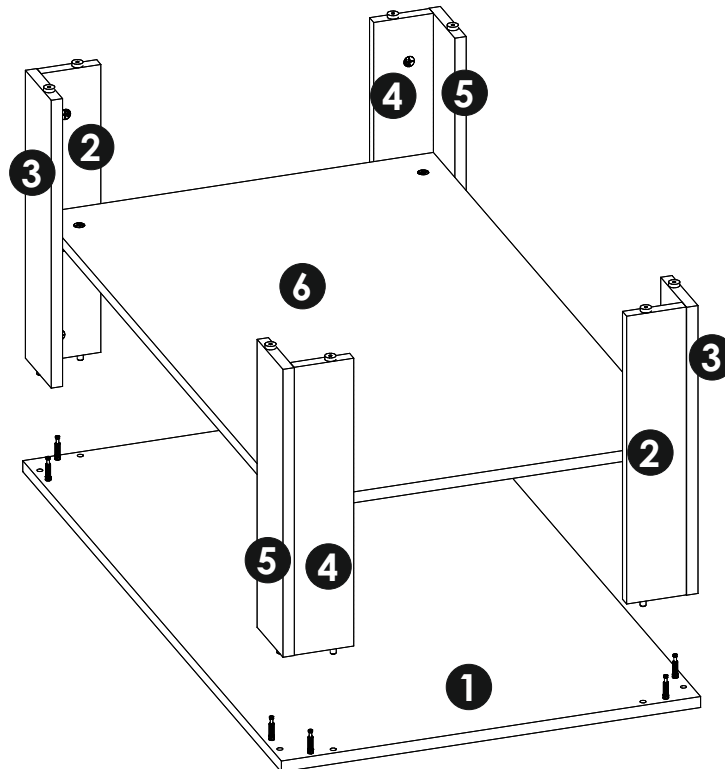
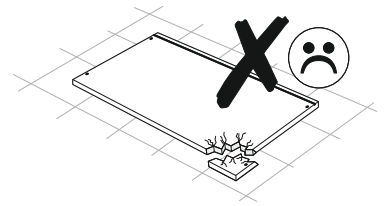
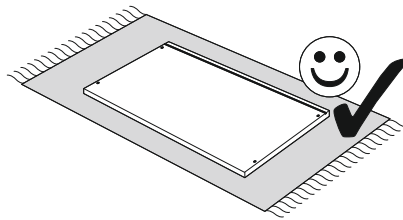
4▶

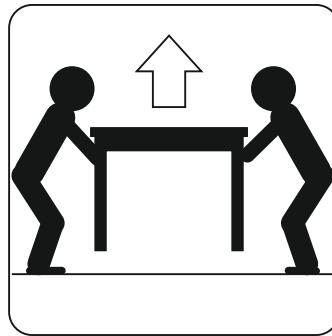
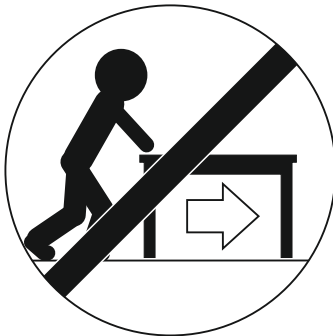
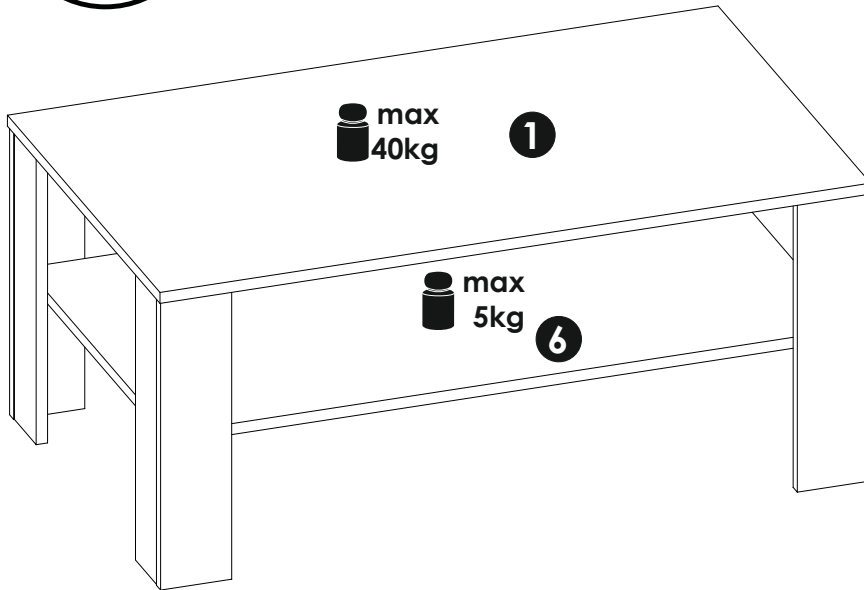
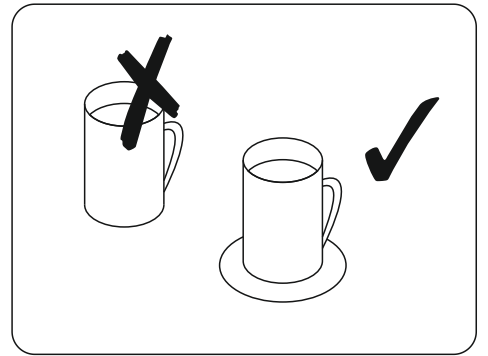


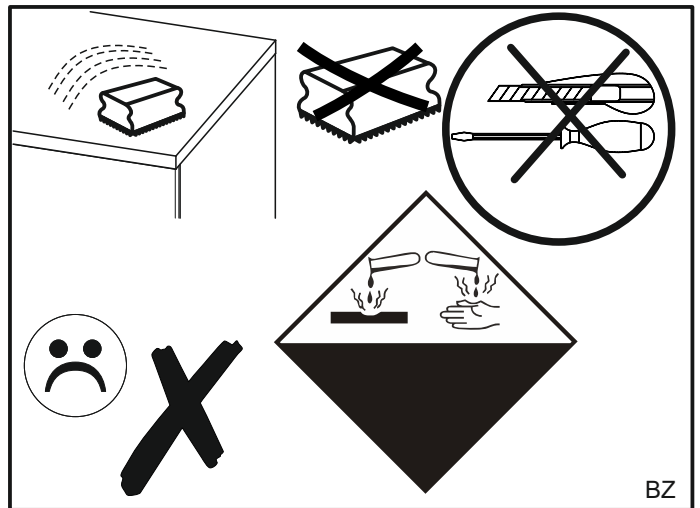
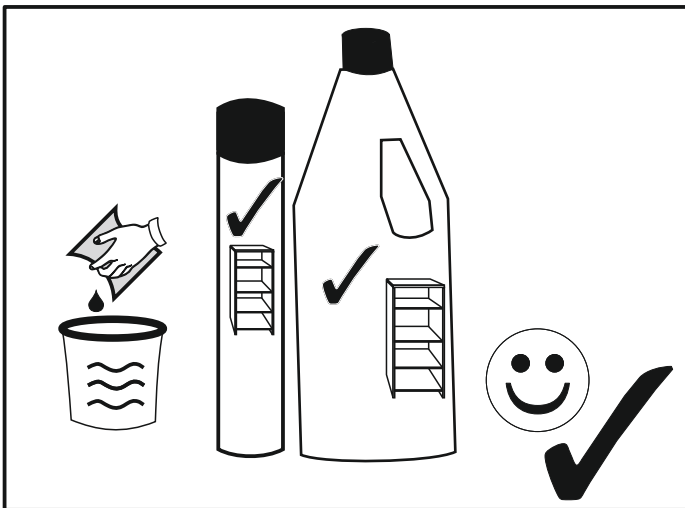
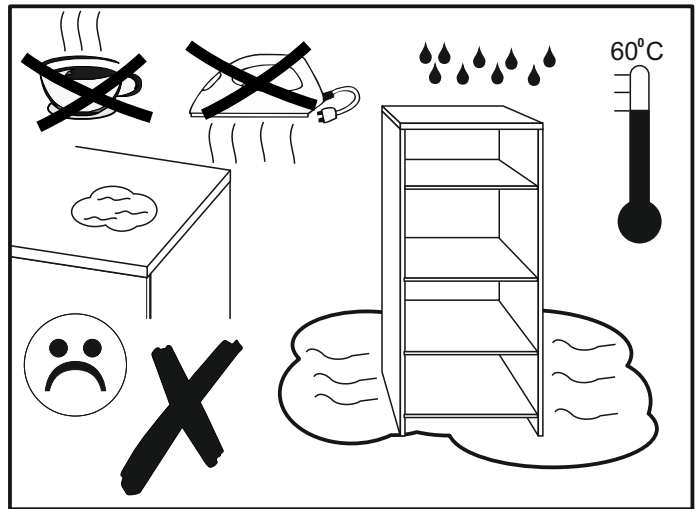
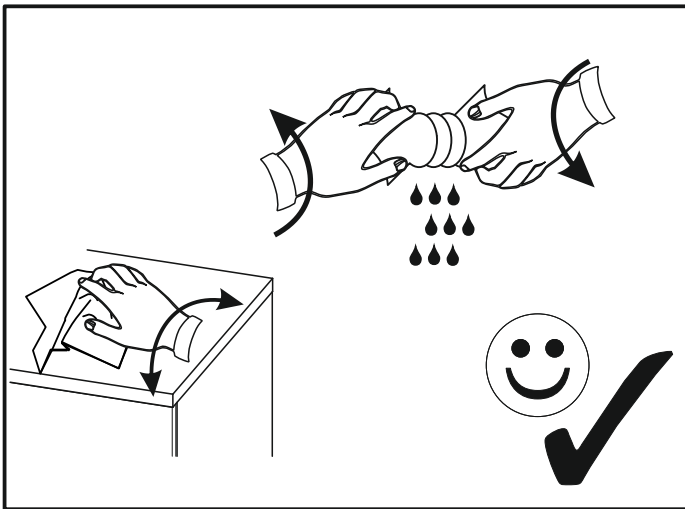
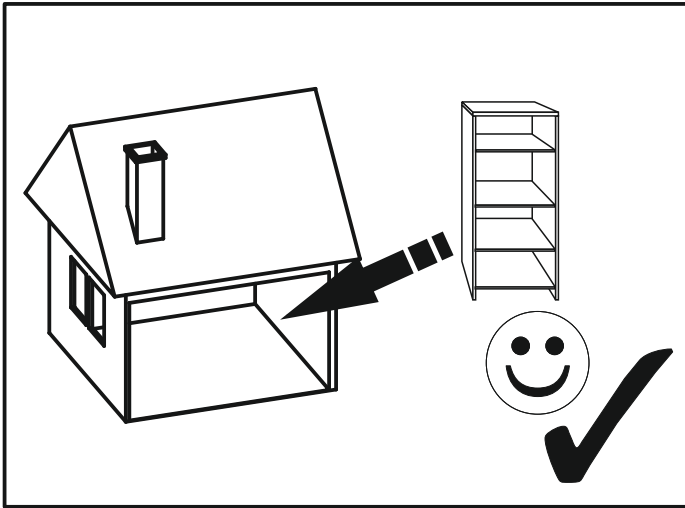
5 ▶



6 ▶







BZ