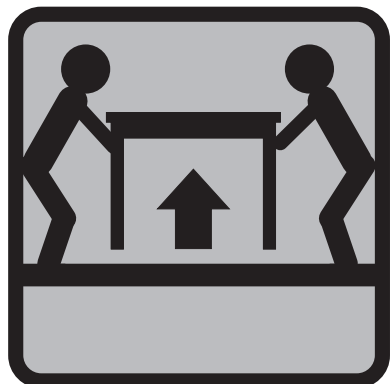
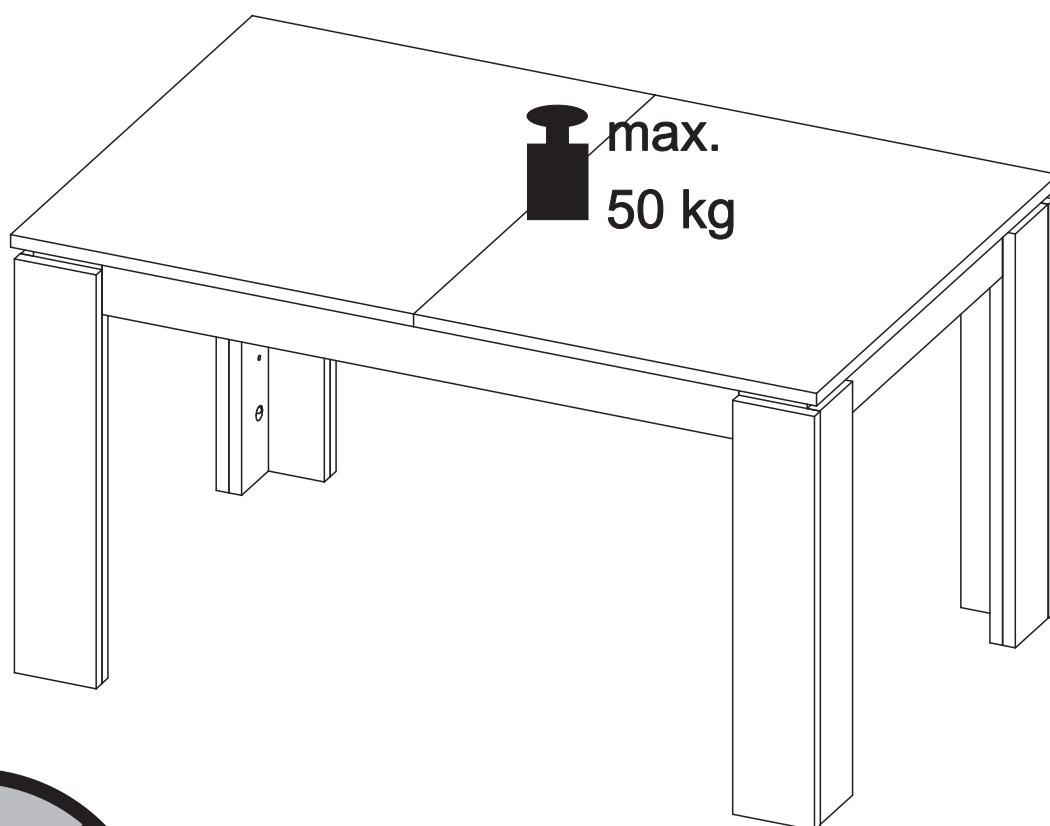
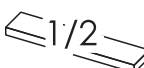
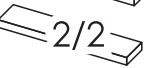


# BARI BAT01

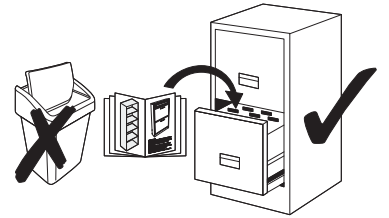
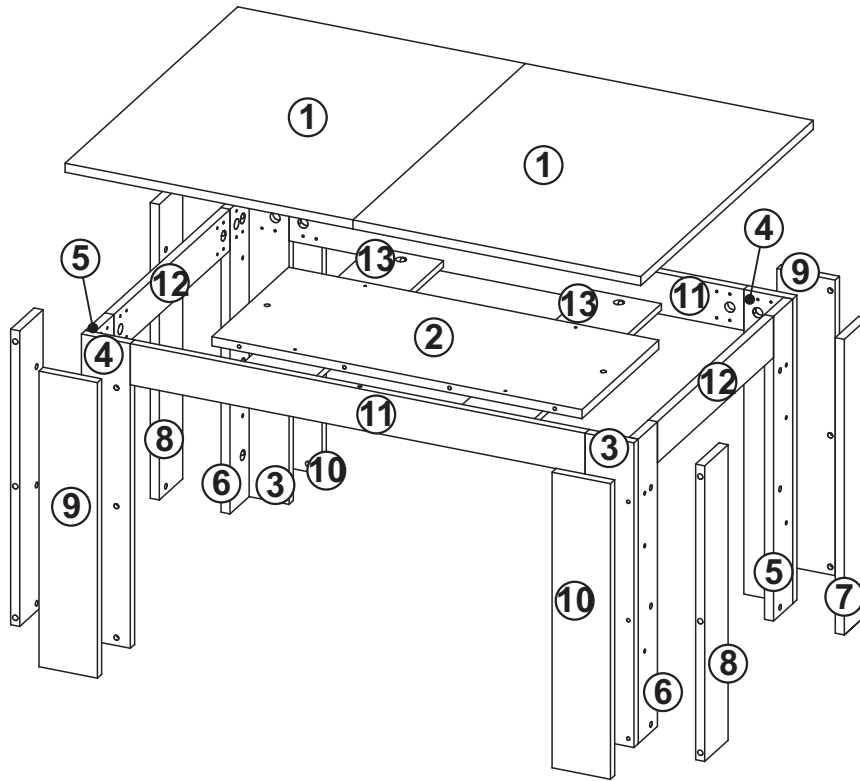


- 180 min.

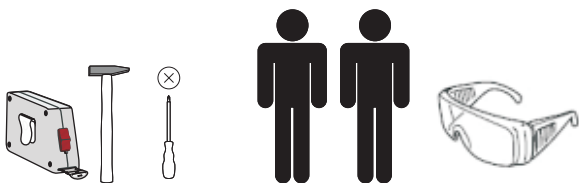


- |        |   |
|--------|---|
| ① - C2 | ⑦ - C1 C1  |
| ② - C2 | ⑧ - C1 C2  |
| ③ - C1 | ⑨ - C1  |
| ④ - C1 | ⑩ - C1  |
| ⑤ - C1 | ⑪ - C1  |
| ⑥ - C1 | ⑫ - C2  |

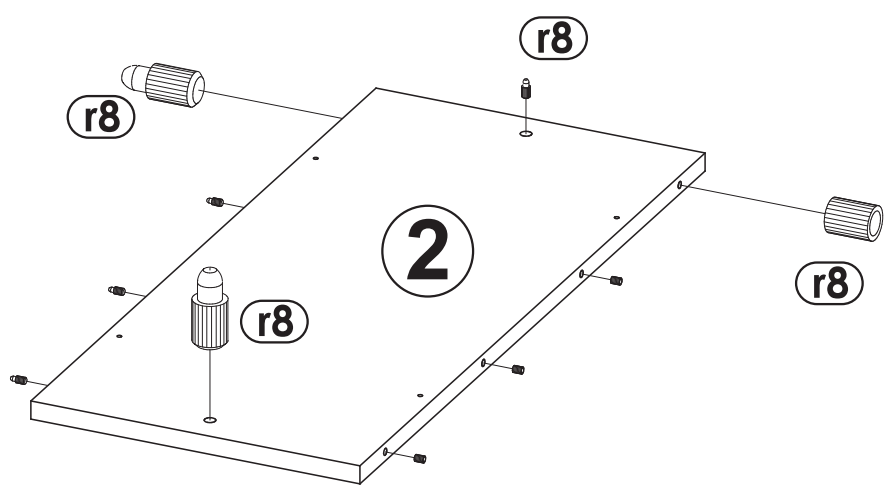
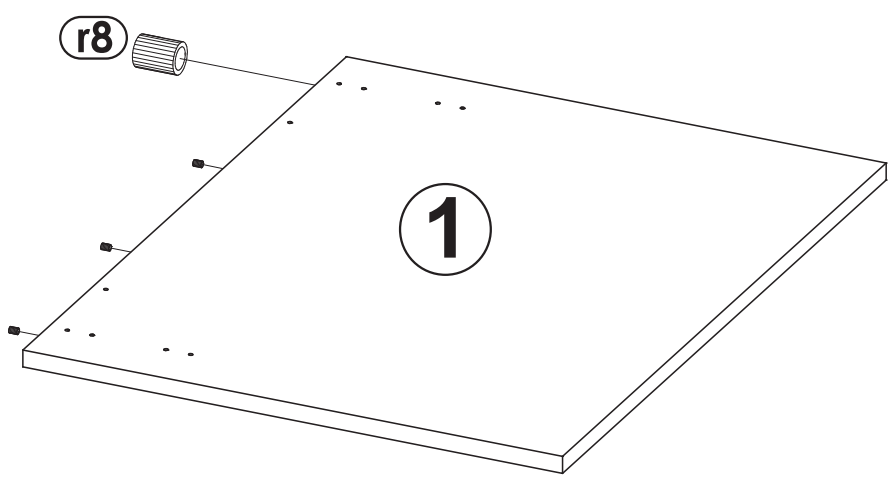
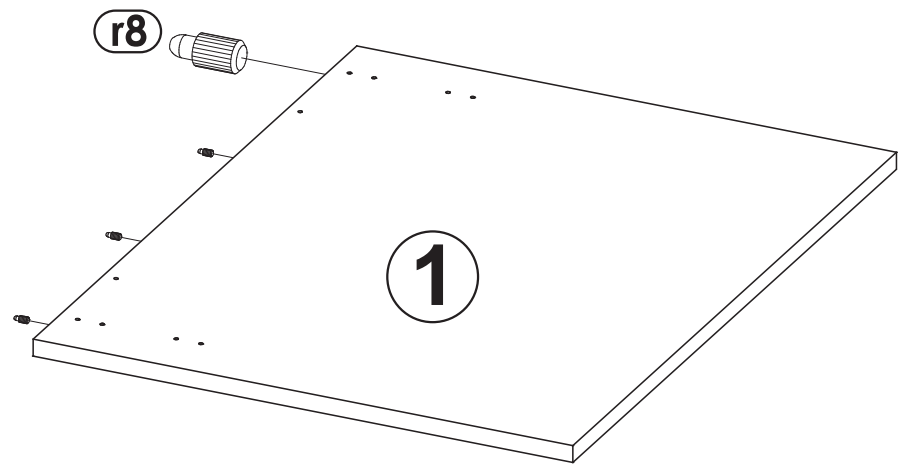
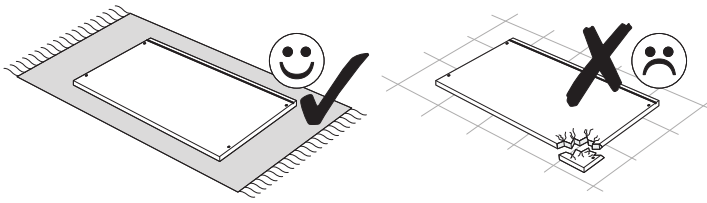
# BARI BAT01



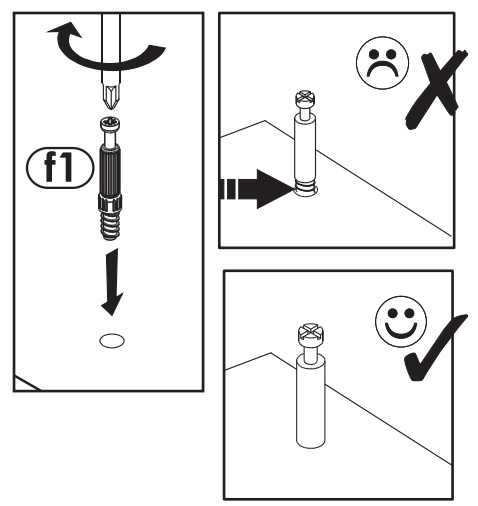
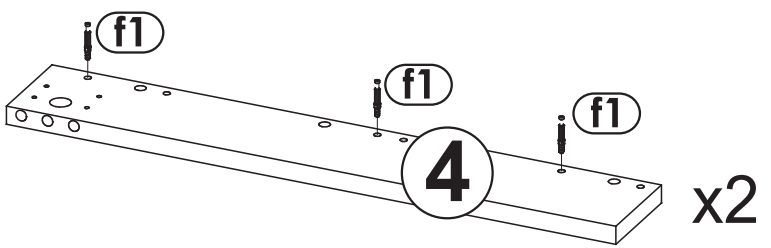
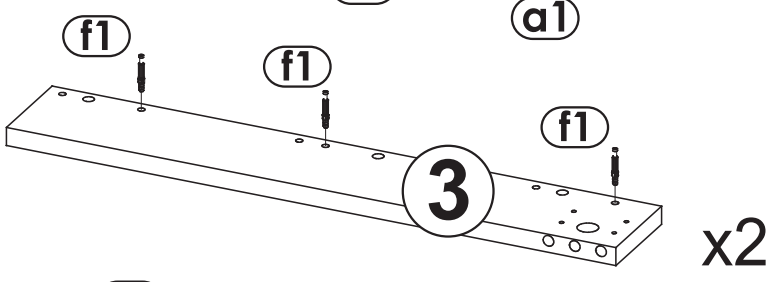
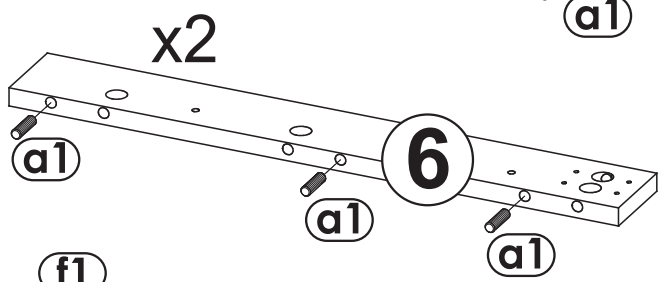
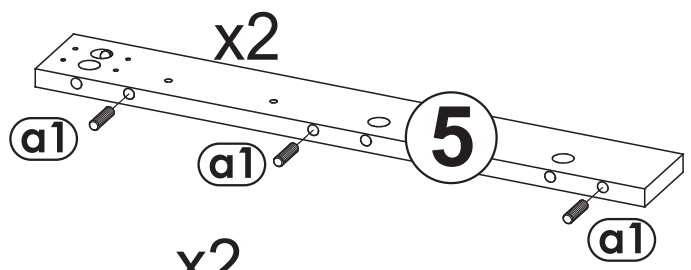
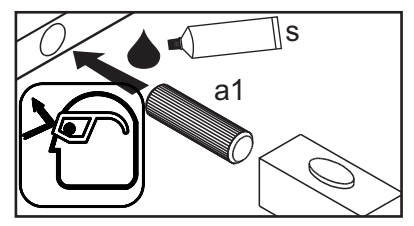
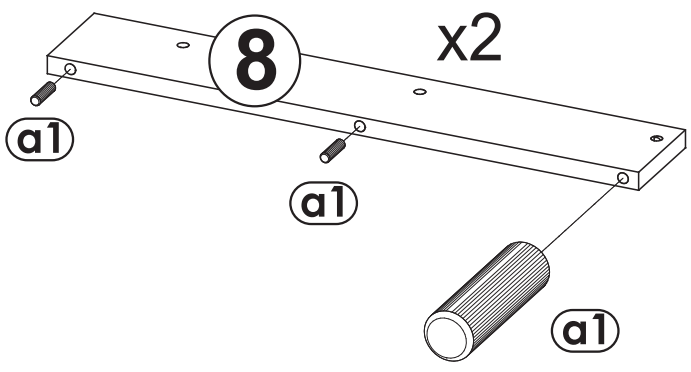
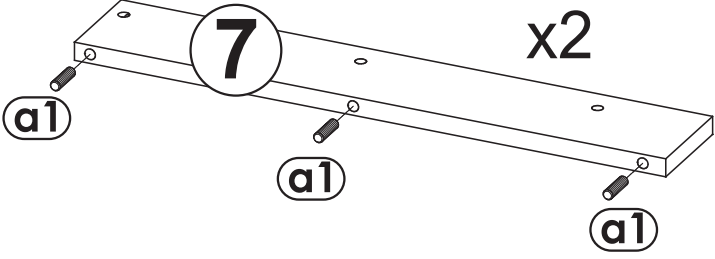
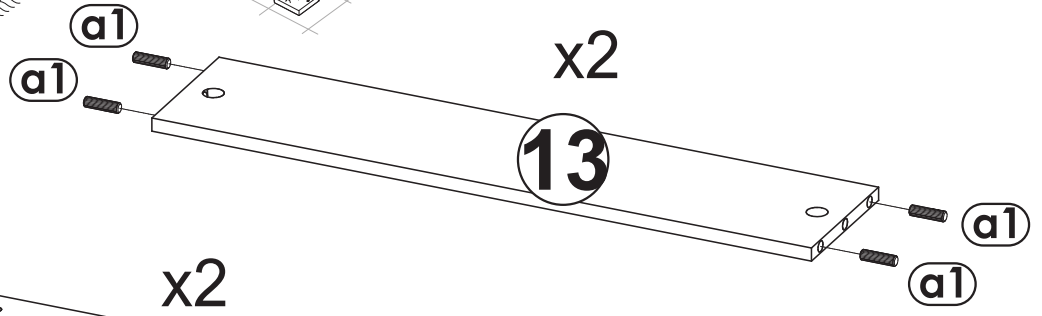
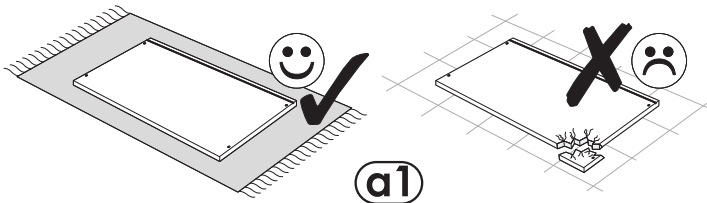
<b>a0</b> 8x24 x...(x24)	<b>a1</b> 8x35 x...(x32)	<b>a2</b> 8x45 x...(x16)	<b>e0</b> x...(x12)	<b>e1</b> x...(x32)	<b>f1</b> x...(x16)	<b>f4</b> 7x58 x...(x8)	<b>i2</b> 4x16 x...(x102)	<b>i7</b> 4x35 x...(x24)	<b>m</b> x....(x1)	<b>o2</b> x...(x8)
<b>p16</b> x...(x12)	<b>r8</b> x....(x10)	<b>s</b> x....(x2)	<b>f10</b> x....(x2)	<b>x6</b> x....(x4)	<b>s19</b> x....(x4)					

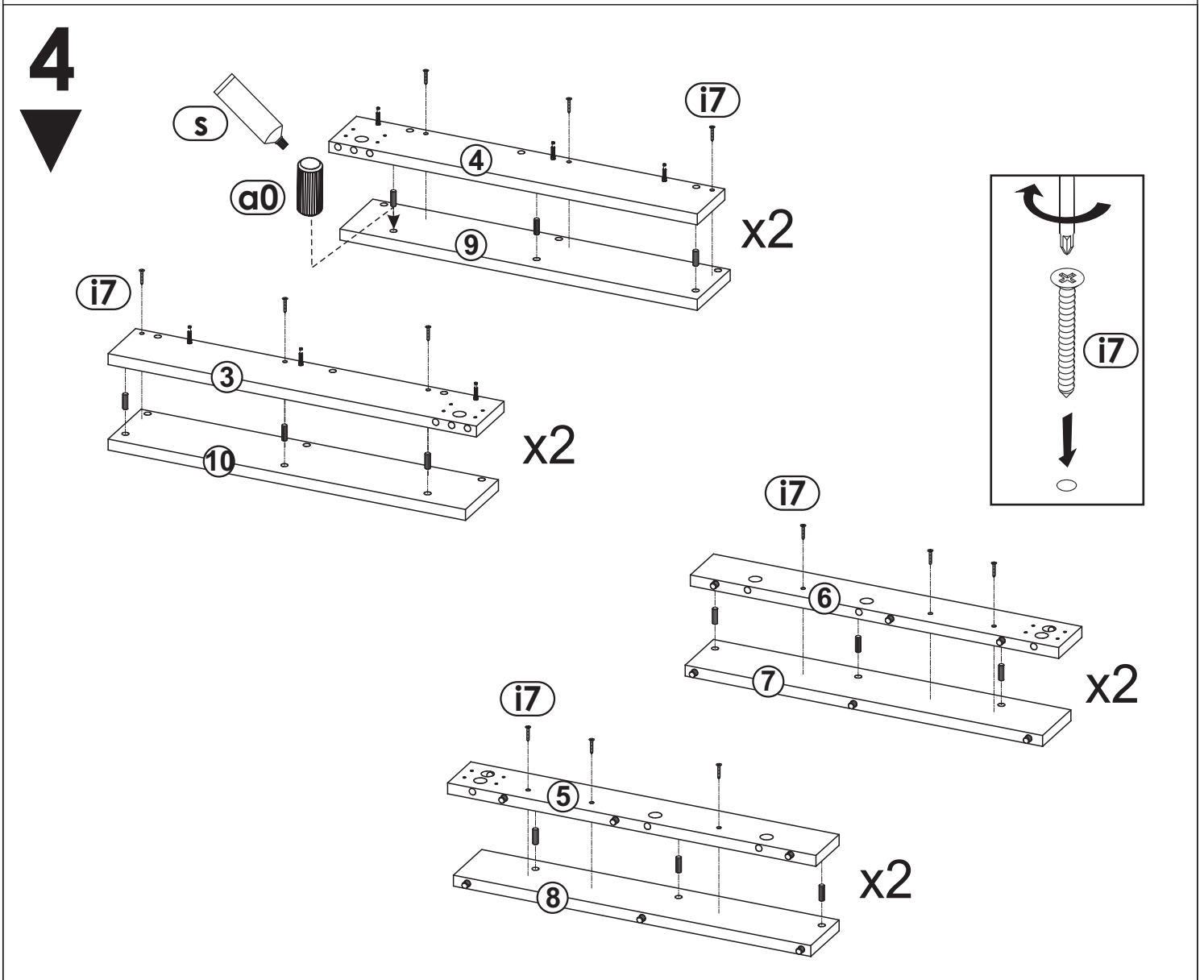
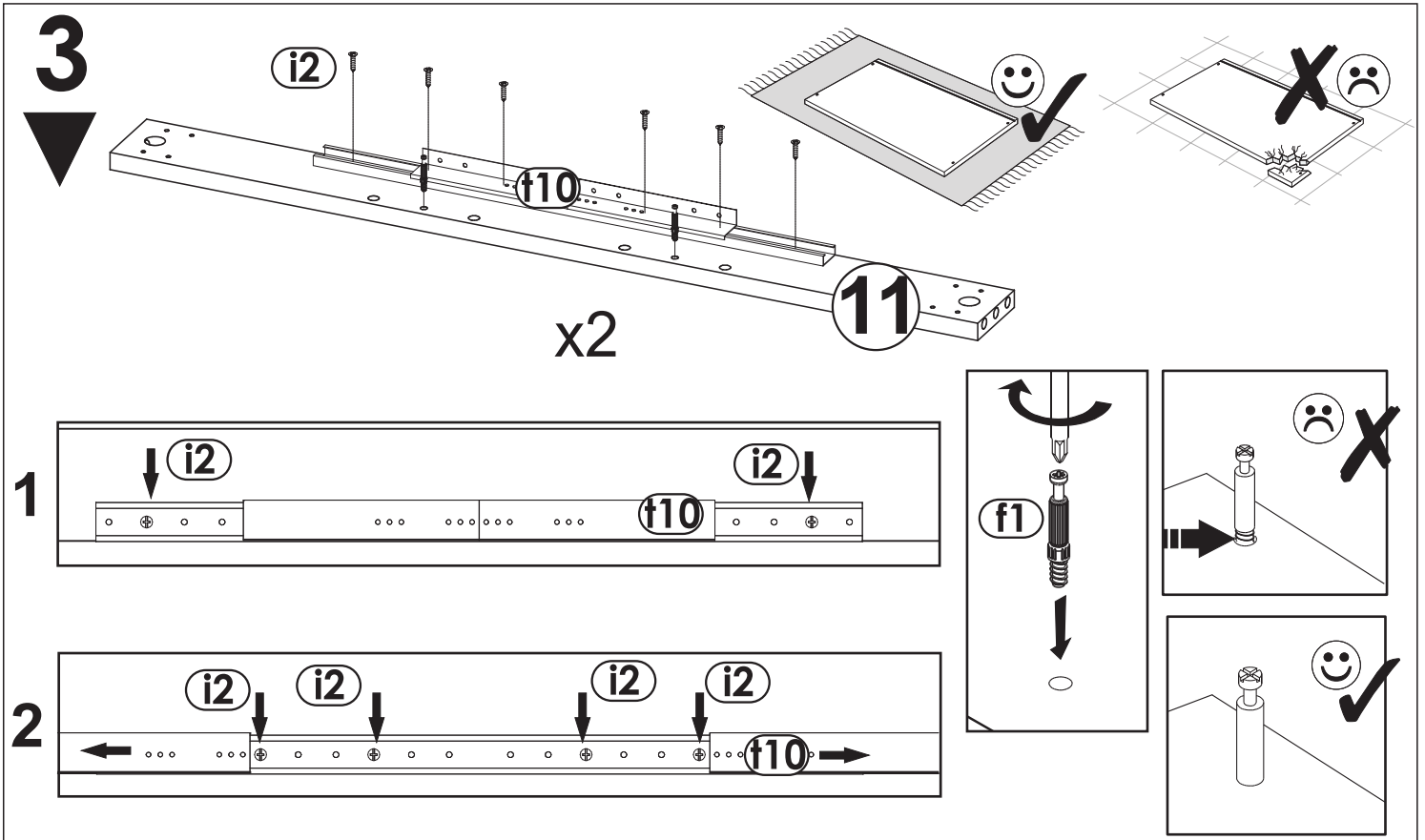


1

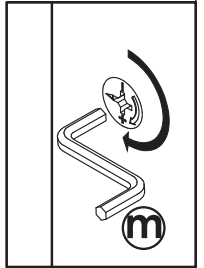
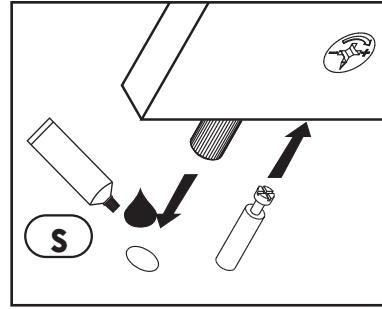
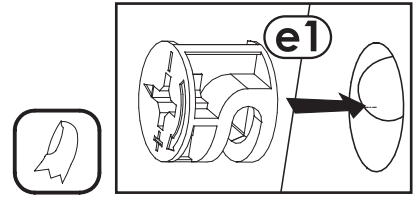
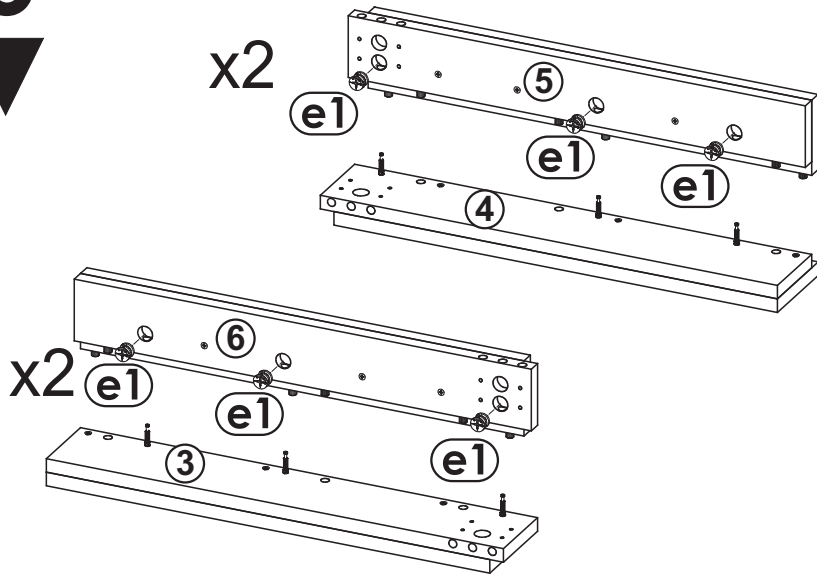


2

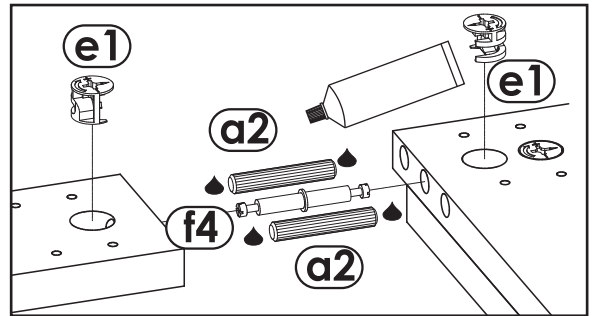
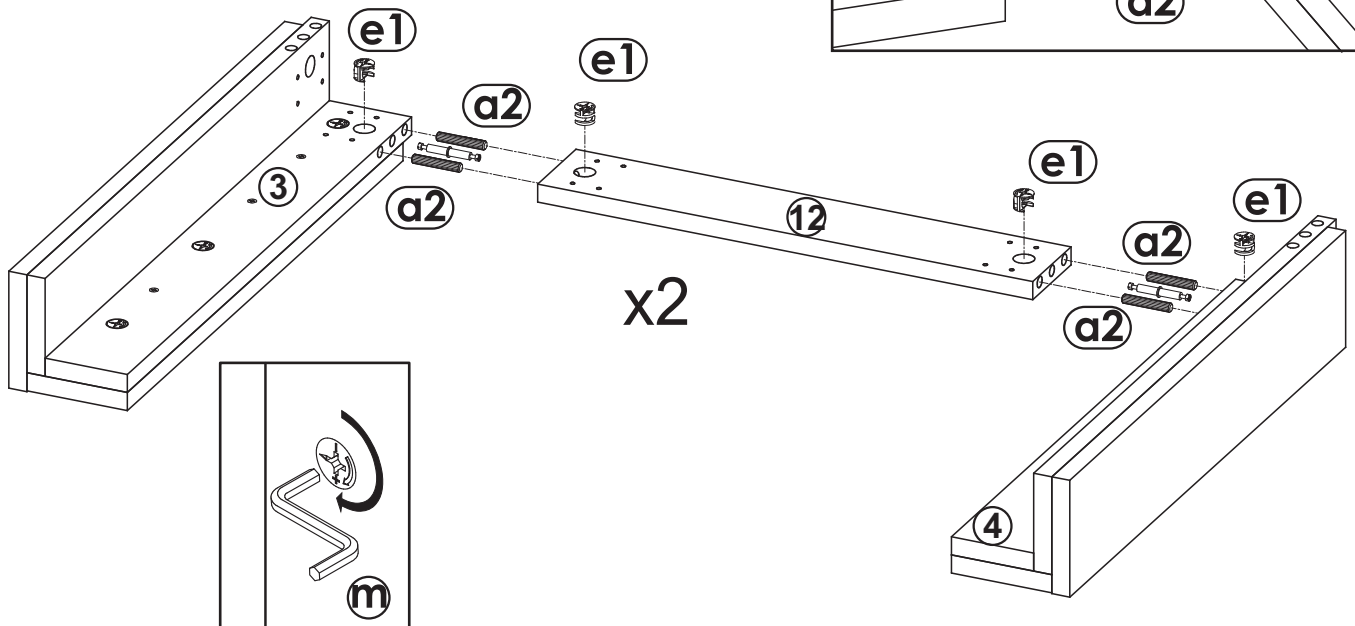




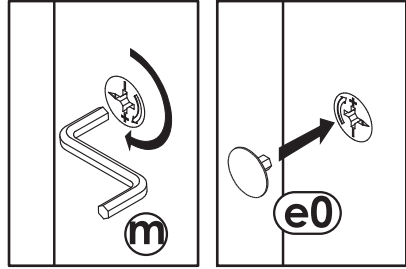
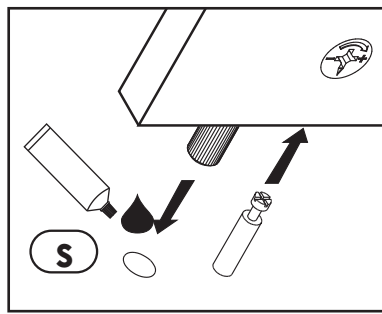
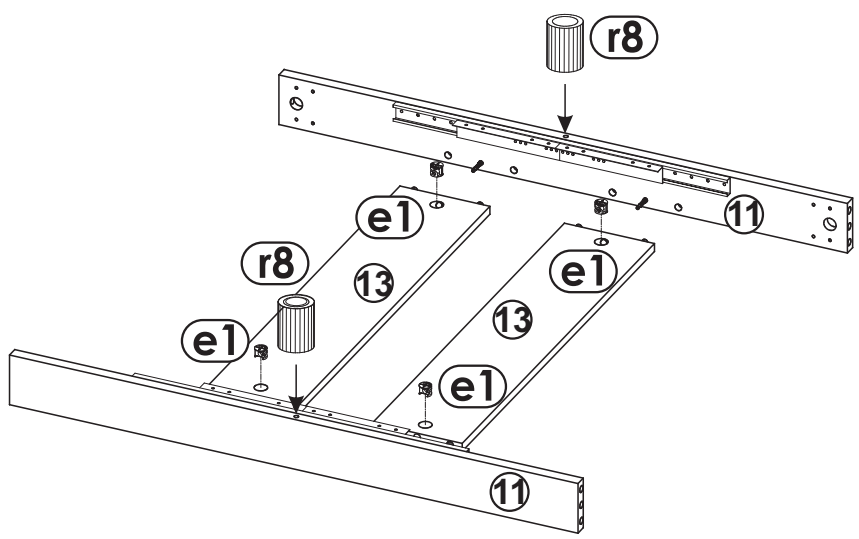
# 5



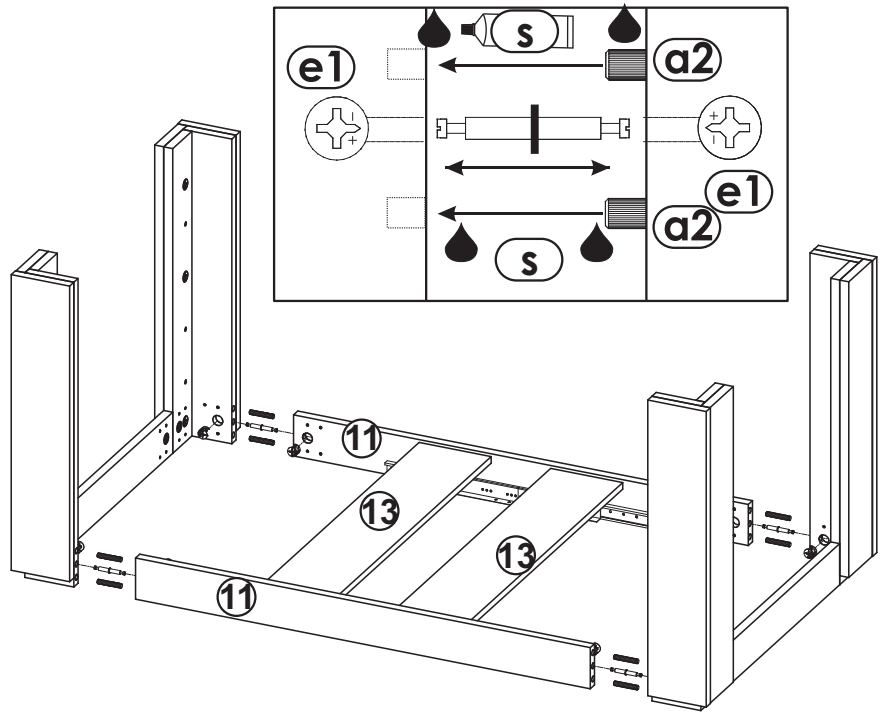
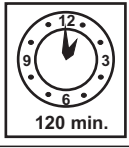
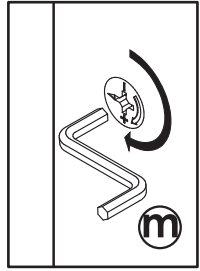
# 6



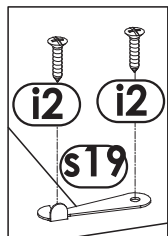
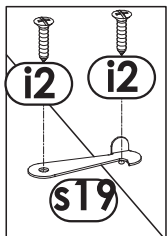
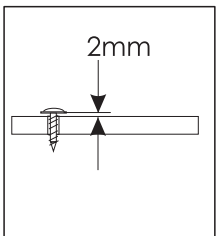
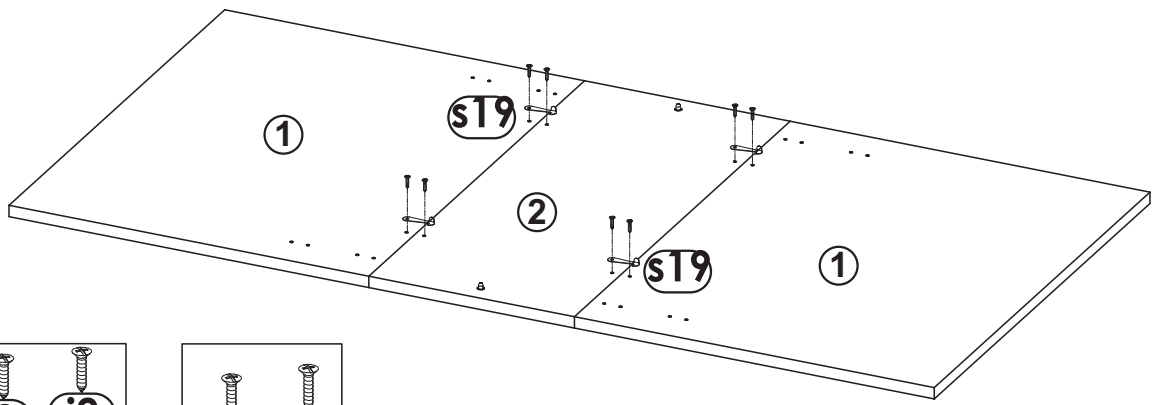
7  
▼



8  
▼



9  
▼



# 10

