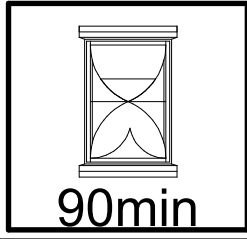
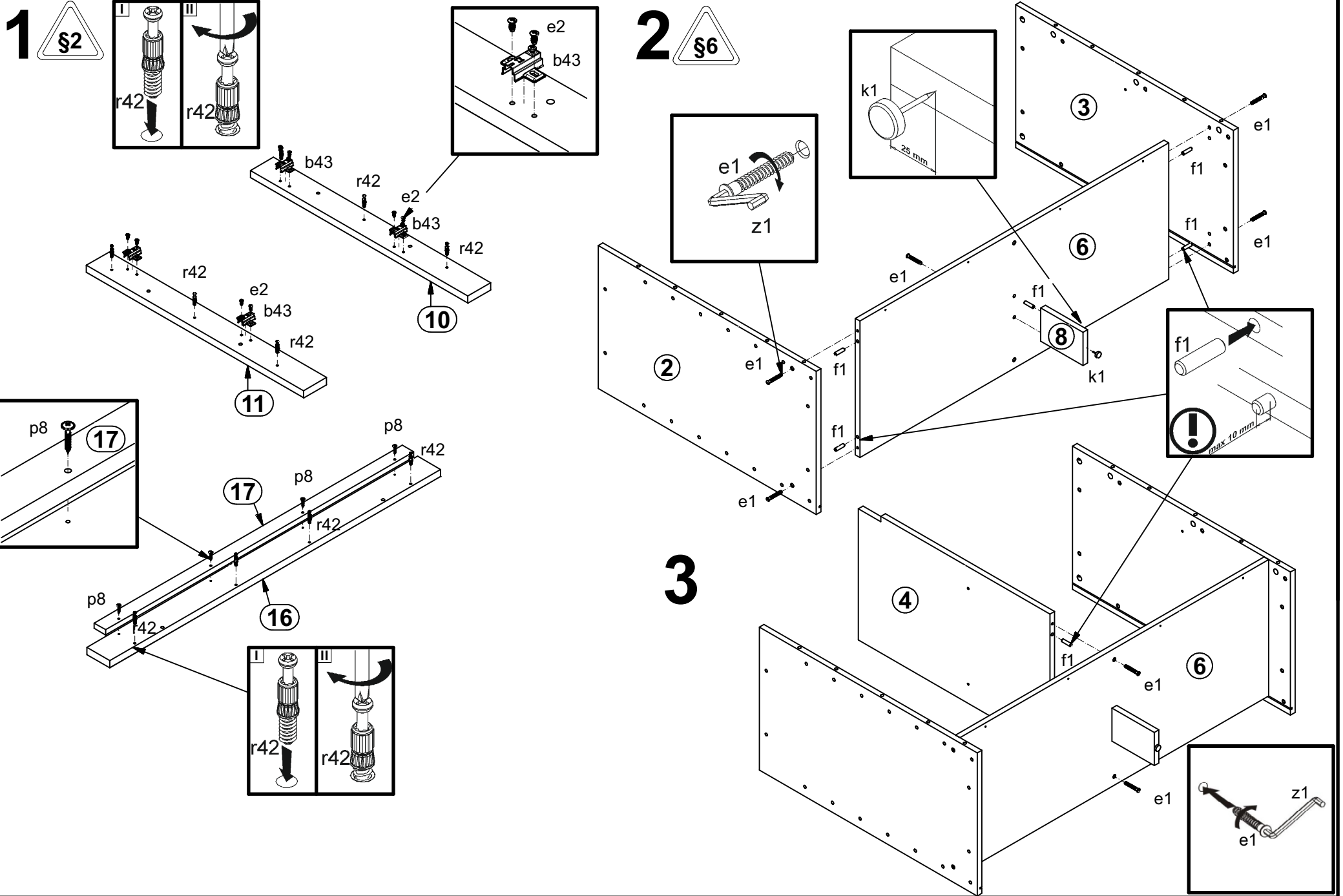


A	B	C (mm)		D
1	S228-011	596	487	2/2
2	S228-116	758	431	1/2
3	S228-117	758	431	1/2
4	S228-120	666,5	411	1/2
5	S228-207	1106	431	1/2
6	S228-323	1074	411	1/2
7	S228-3324	528	400	1/2
8	S228-531	147	100	1/2
9	S228N-5511	990	80	1/2
10	S228N-5537	756	80	1/2
11	S228N-5538	756	80	1/2
12	S228N-5539	431	80	1/2
13	S228N-5540	766	58	1/2
14	S228N-5541	756	58	1/2
15	S228N-5542	315	80	1/2
16	S228N-5543	1151	80	1/2
17	S228N-5544	1072	60	1/2
18	S228-955	686	270	1/2
19	S228-956	686	270	1/2
20	Lh-658	658	14	1/2

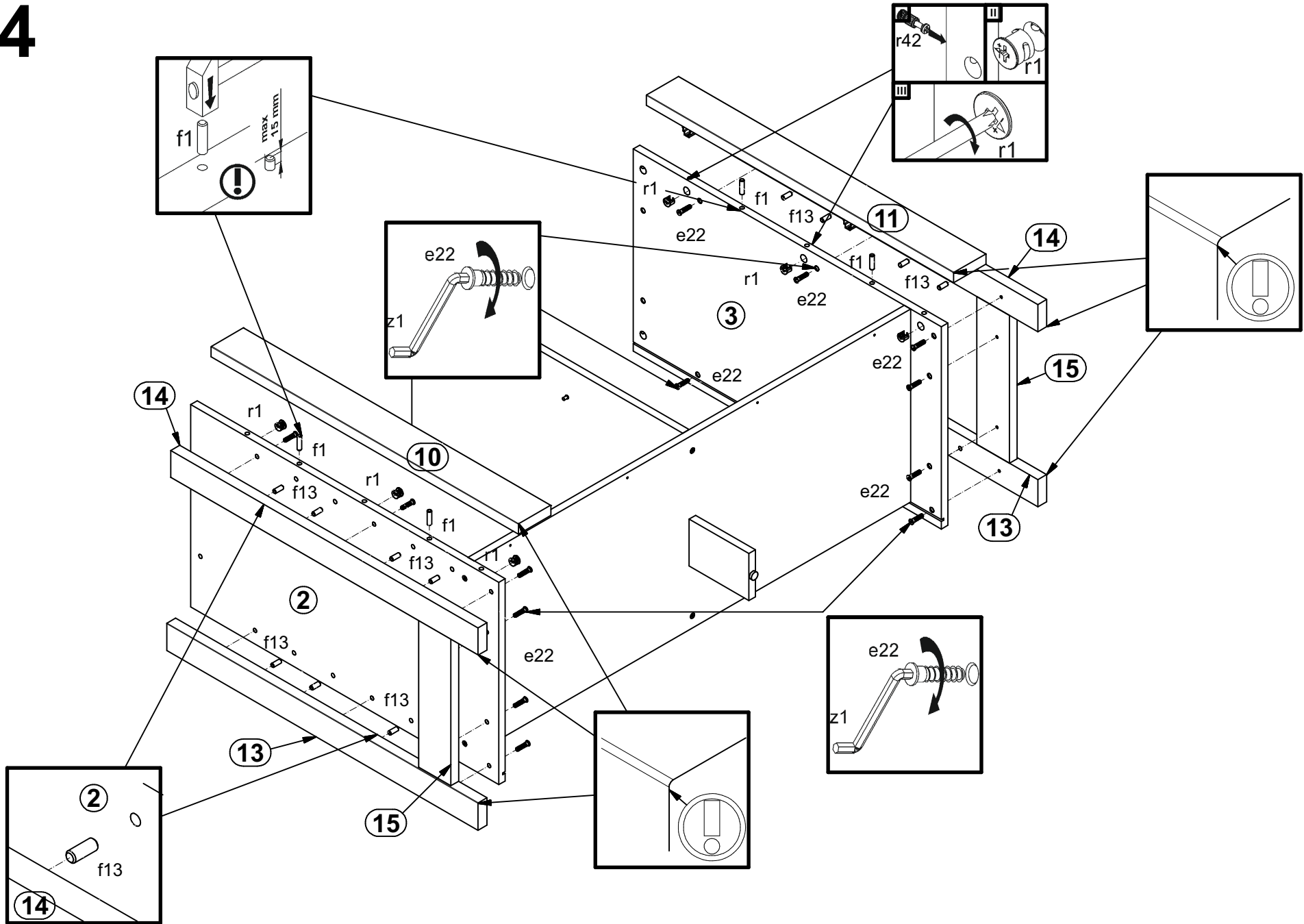


cm

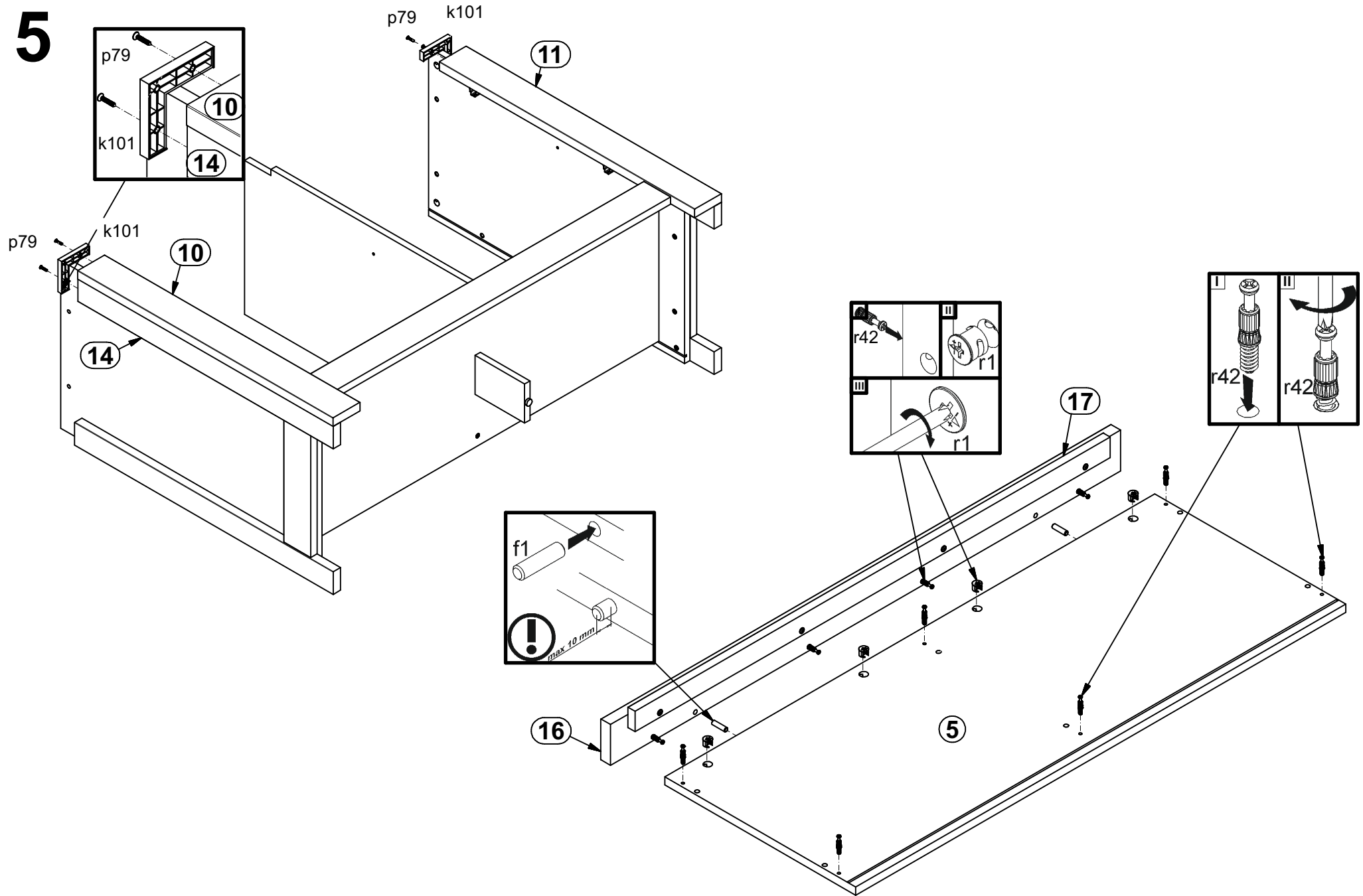
2x a133	4x a132	4x b43	2x c280/1 (192 mm)	8x d1 (Ø5x17 mm)	4x d36	7x e1 (W7 x50 mm)	8x e2 (W6, 3x13 mm)	20x e22 (W7 x28 mm)	19x f1 (W8 x30 mm)	16x f13 (W8 x20 mm)	4x j30 (M4x22 mm)	7x k1	2x k101
12x l1	14x l2	16x p51 (W8, 5x15 mm)	4x p79 (W8, 5x20 mm)	4x p8 (W4 x25 mm)	16x r1 (W1 5x12 mm #16)	16x r42 (20/11)	1x n14/2 (86x21x151,5)	2x p38 (W8, 5x16 mm)	1x p17 (W8, 5x60 mm)	1x f35 (W1 0x50 mm)	1x z1	10x s2 (W1 6)	
12x s1	5x n108 (20x13x3,5)	5x p55 (W2, 9x16 mm)											



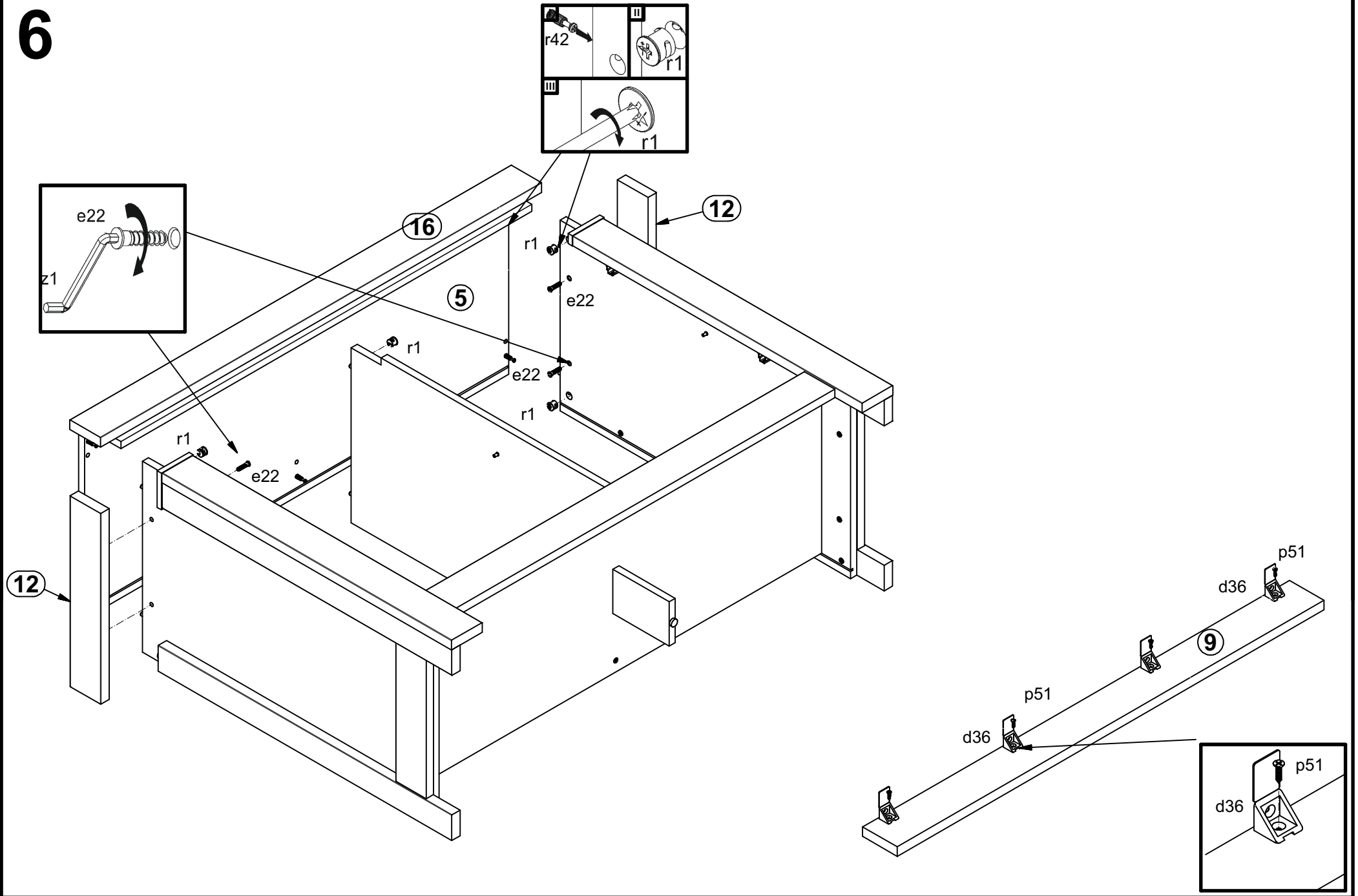
4



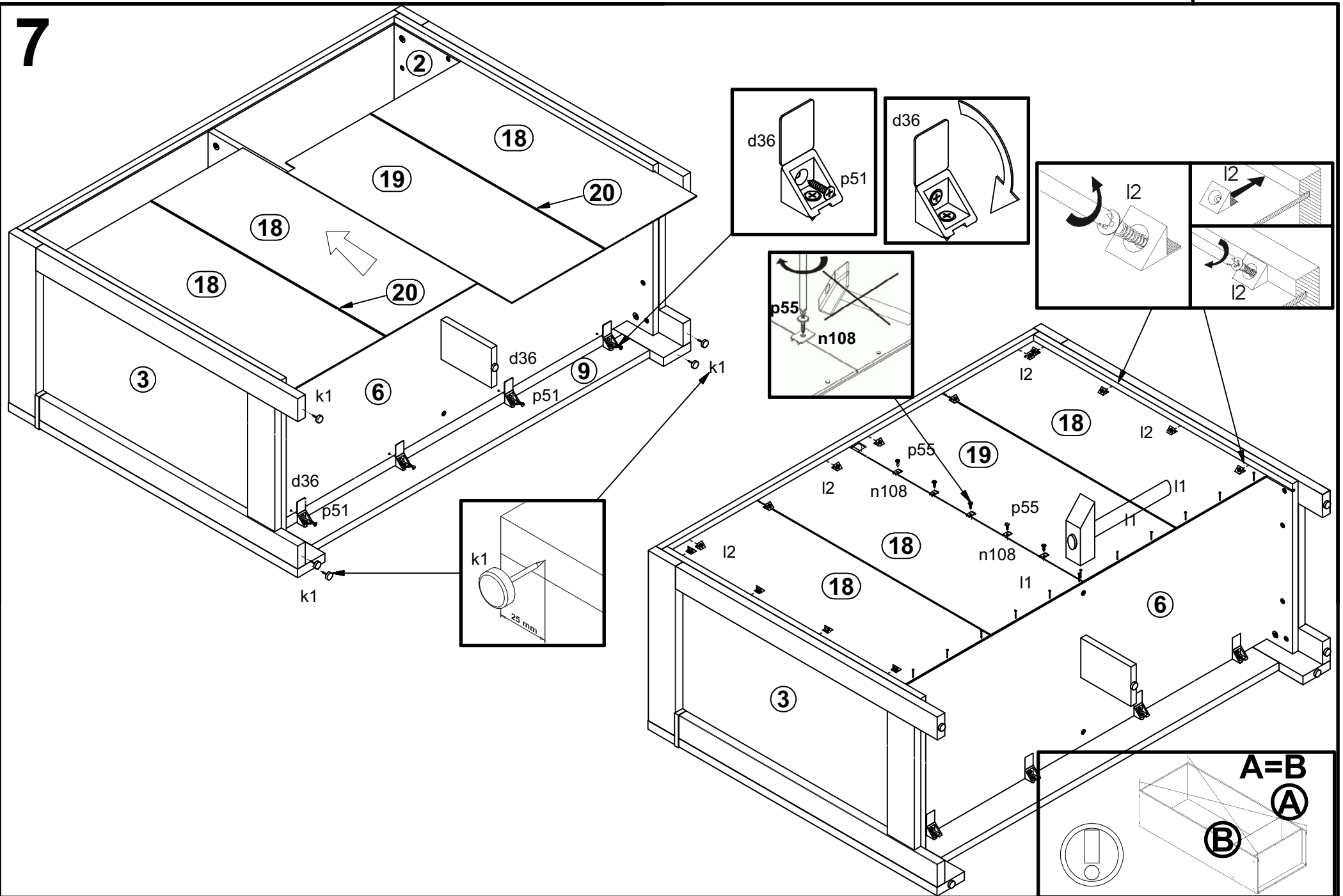
5



6



7



8

