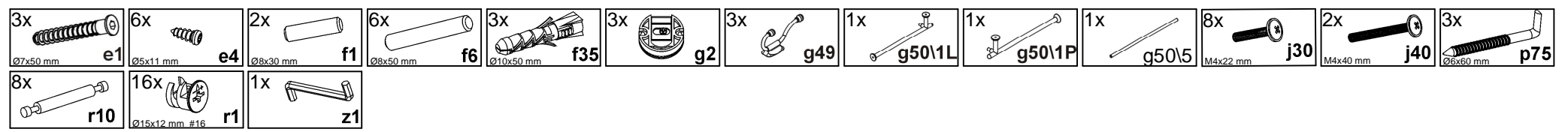
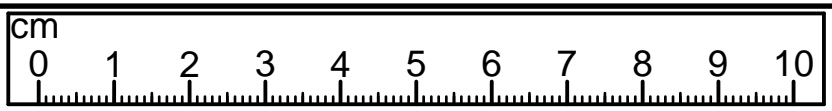


A	B	C (mm)		D
1	M196-3008	668	264	1/1
2	M196-4304	1234	528	1/1
3	M196-5507	1234	60	1/1



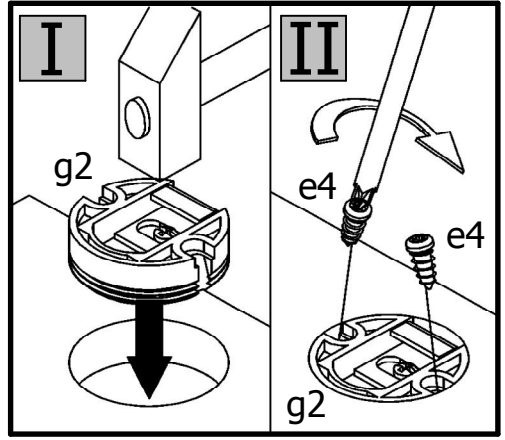
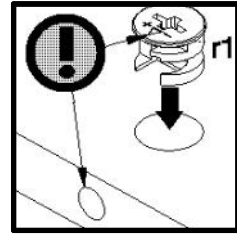
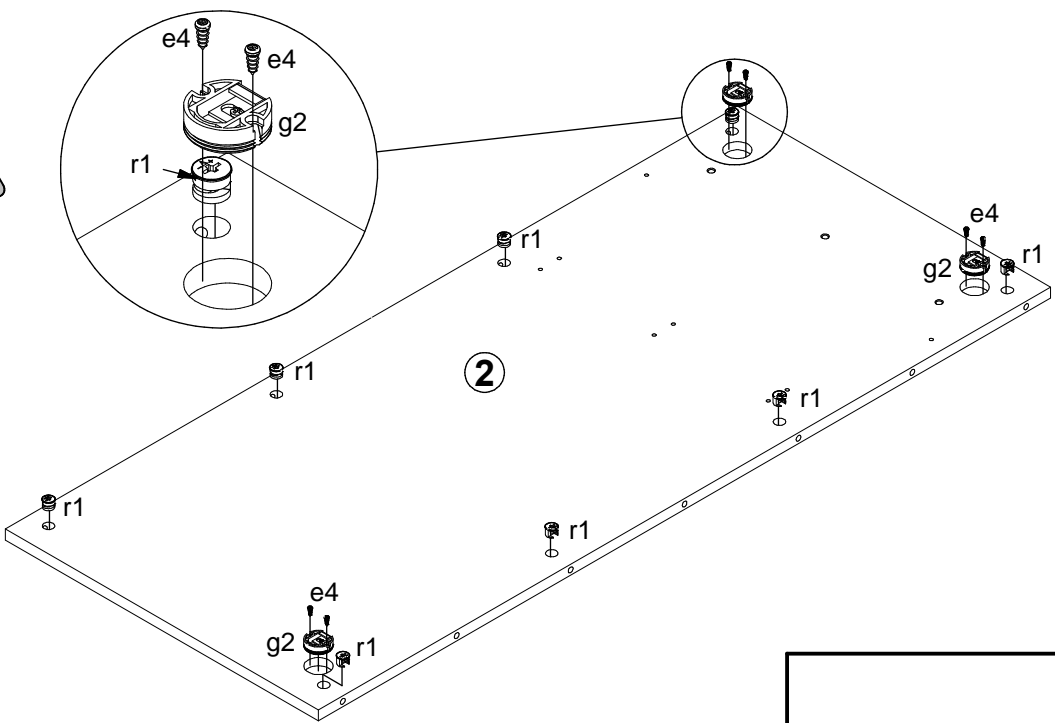
A

M196-PAN/12/7

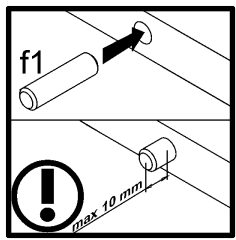
3064--41

3 / 6

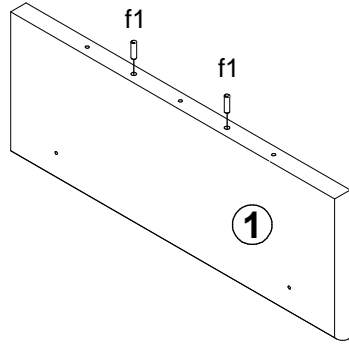
1



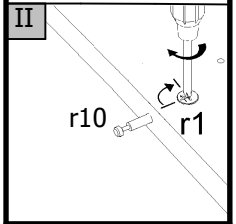
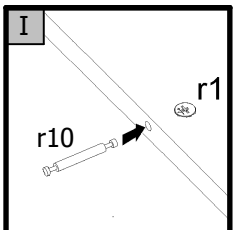
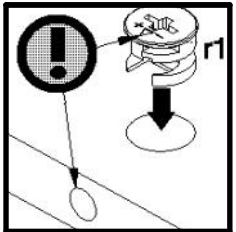
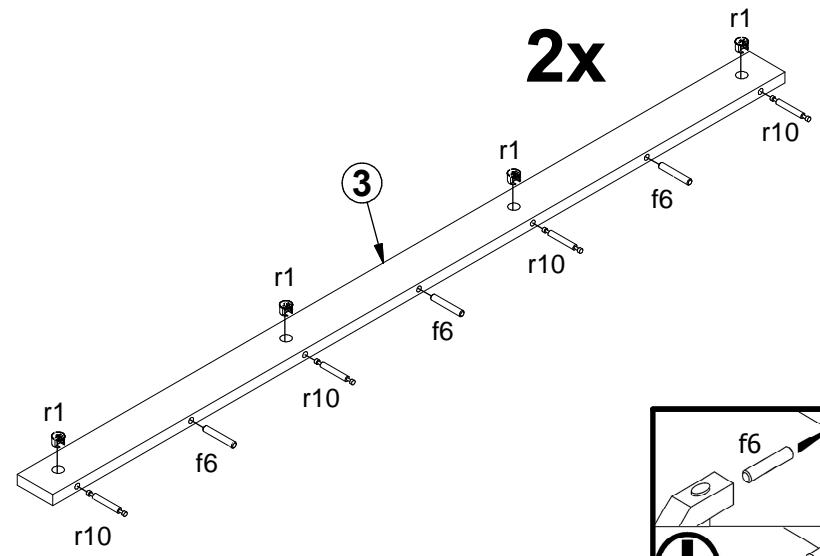
- 8x r1 Ø15x12 mm #16
- 3x g2
- 6x e4 Ø5x11 mm



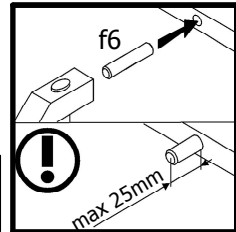
- 2x f1 Ø8x30 mm

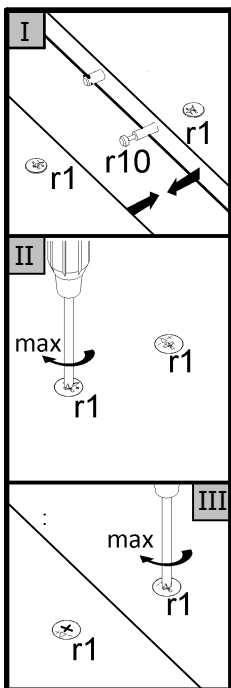


2x

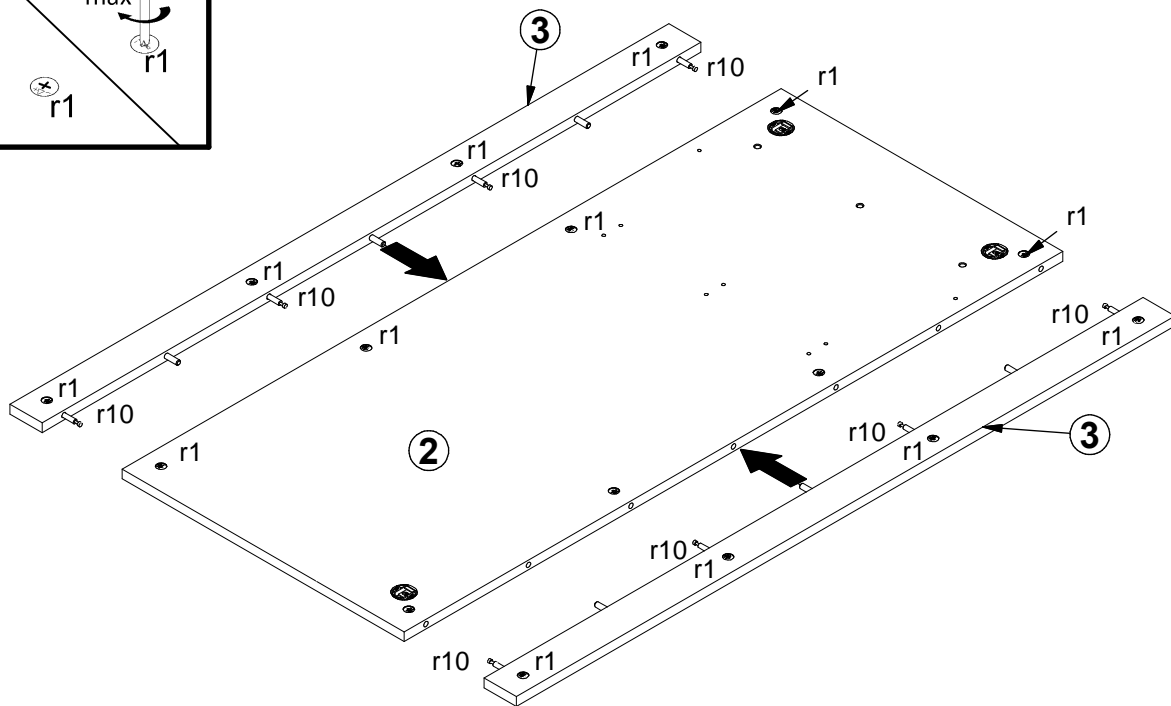


- 4x r1 Ø15x12 mm #16
- 4x r10
- 3x f6 Ø8x50 mm

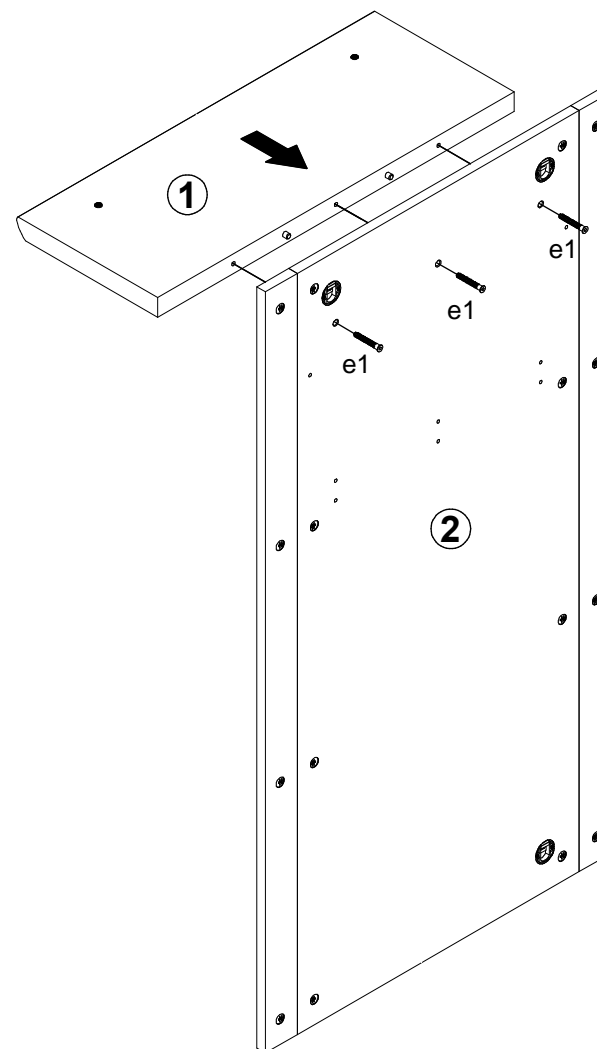
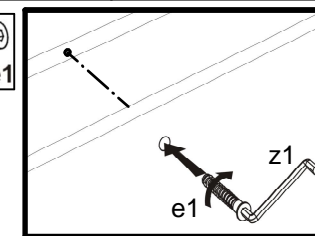
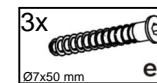




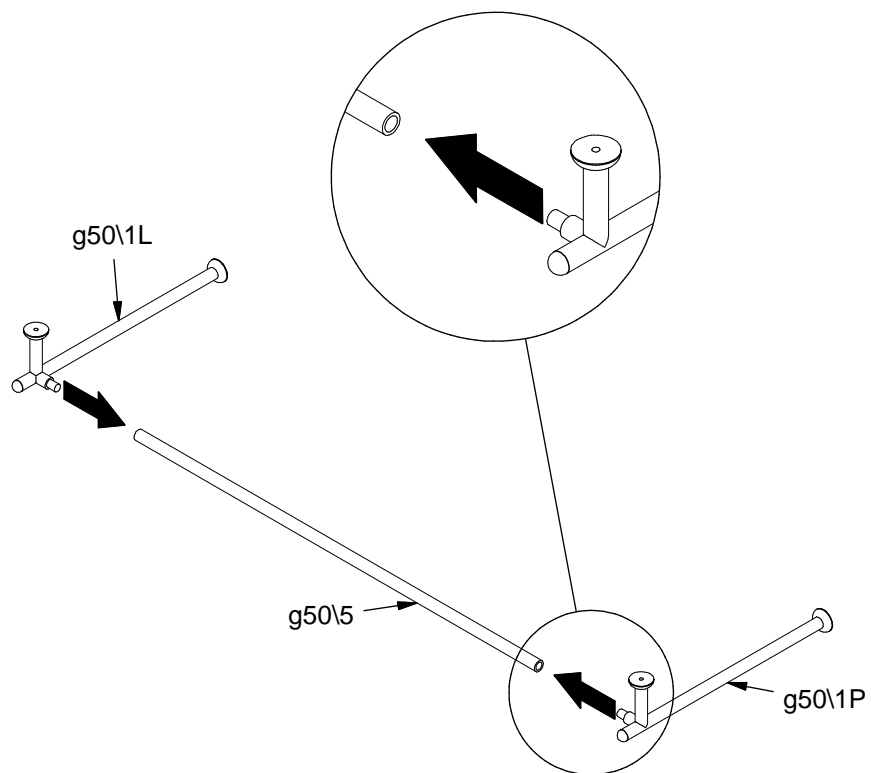
**2**



**3**



4



- 1x g50\5
- 1x g50\1L
- 1x g50\1P

5

