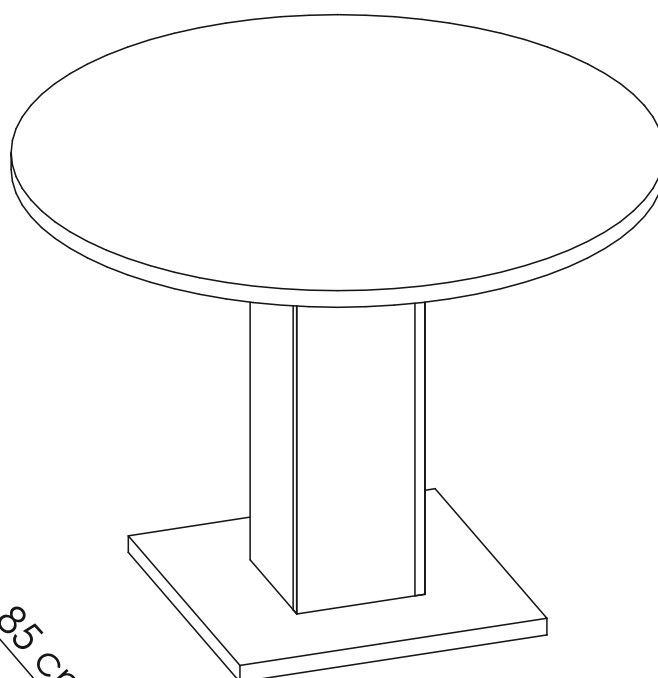
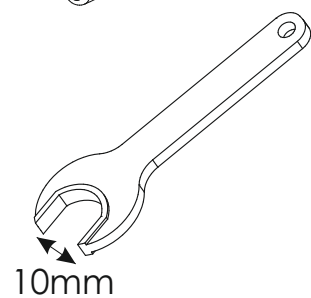
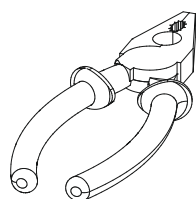
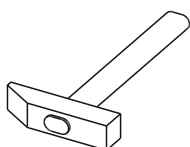
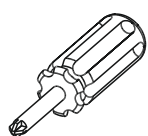
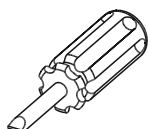
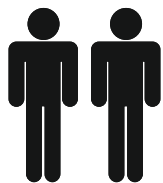


# LEO 03

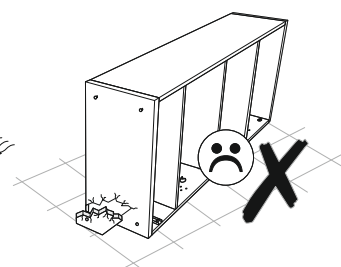
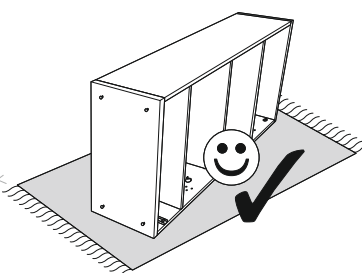
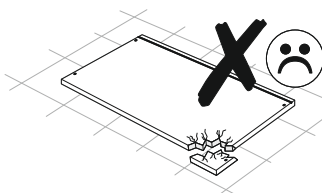
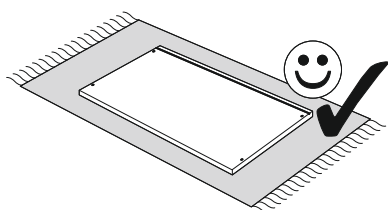


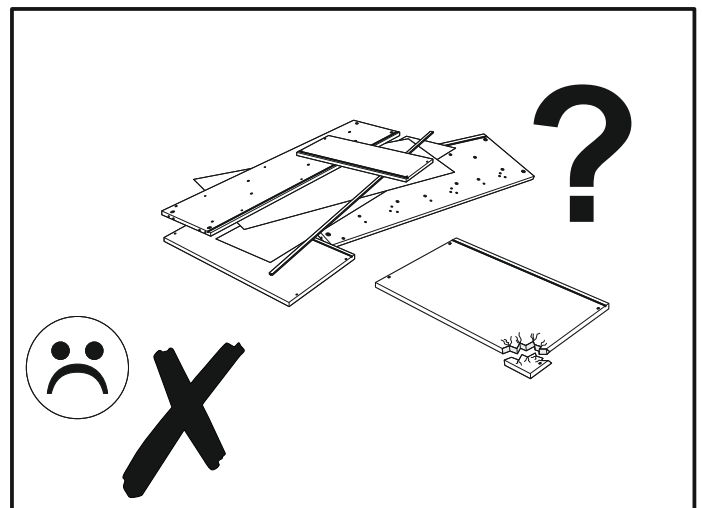
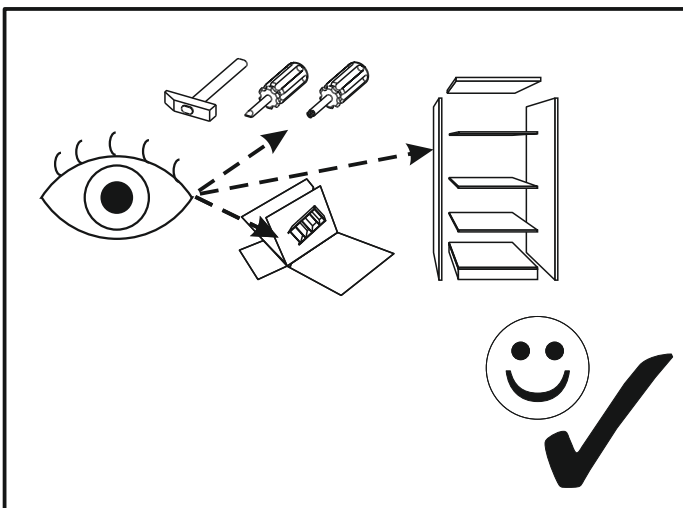
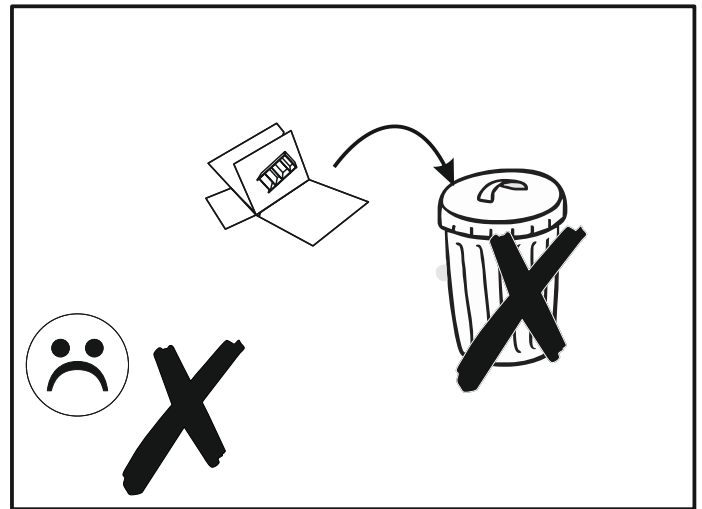
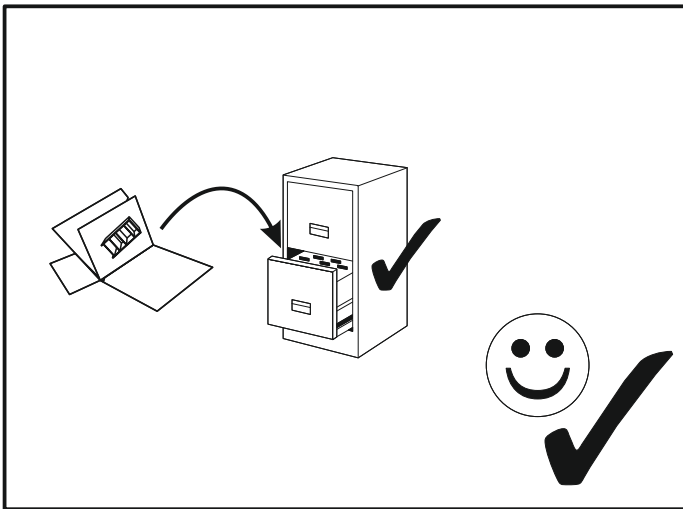
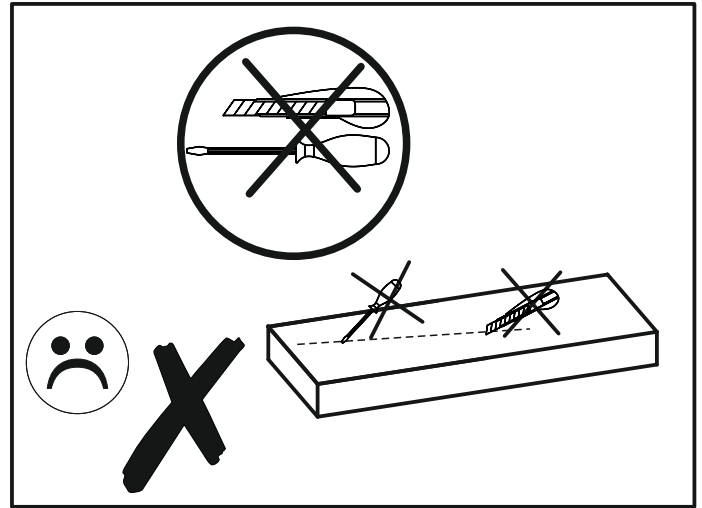
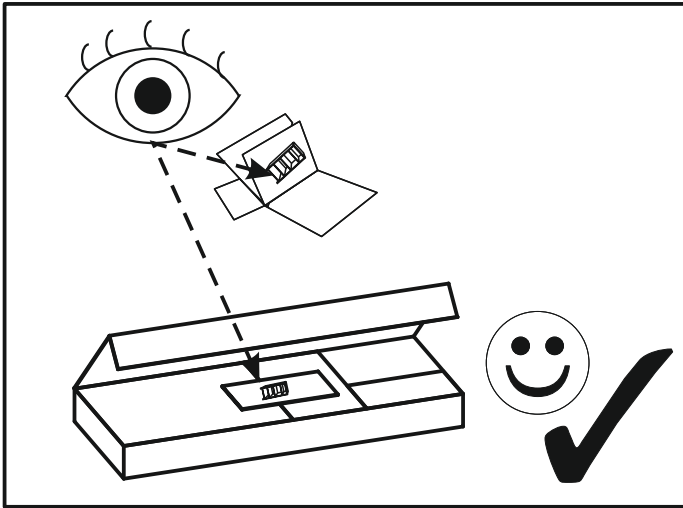
75 cm

85 cm

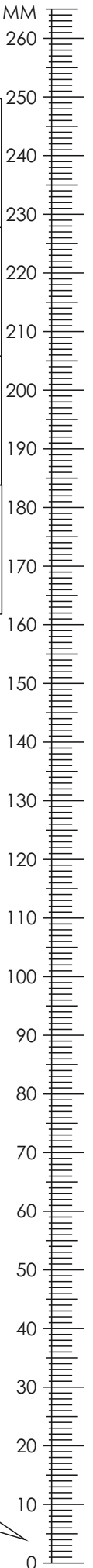
85 cm

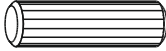


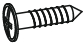
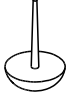

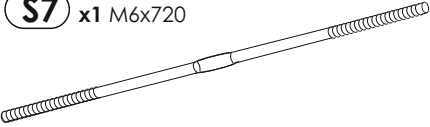



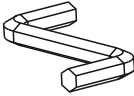
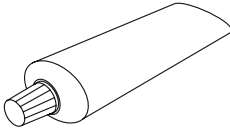
10mm

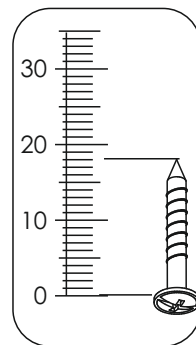




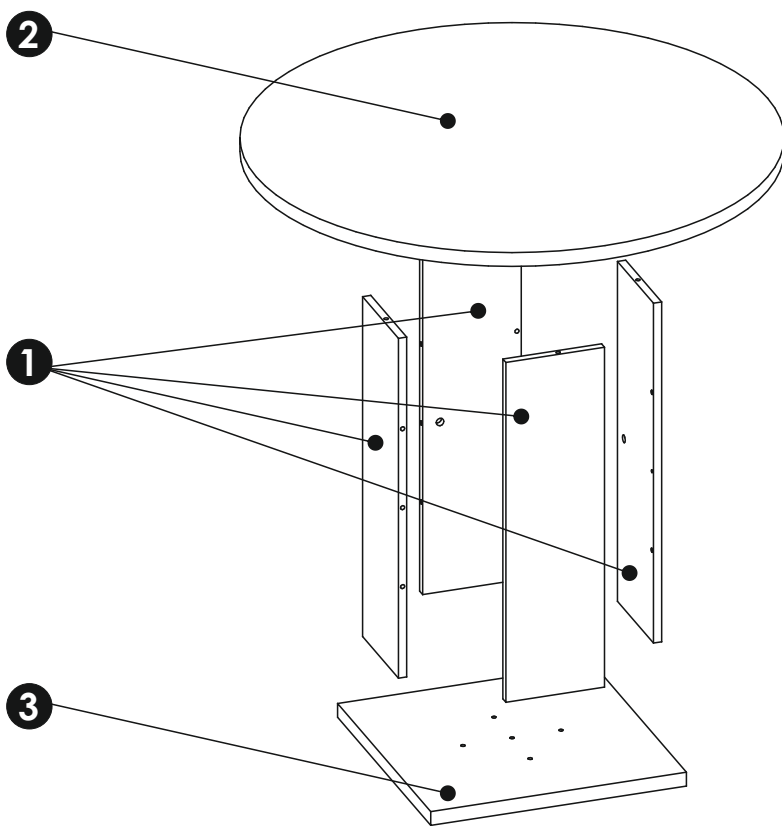
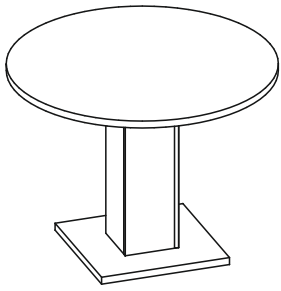
# LEO 03

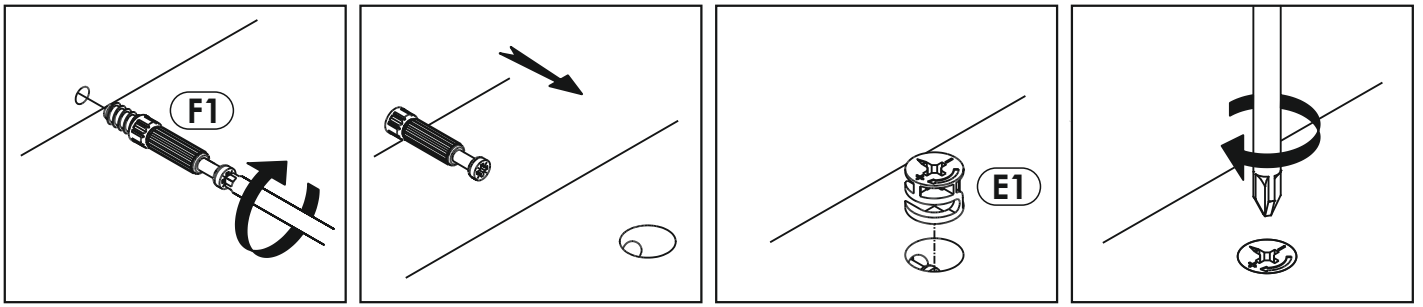


<p><b>A1</b> x16 <math>\varnothing 8 \times 35\text{mm}</math></p> 	<p><b>E1</b> x4 <math>\varnothing 15 \times 12\text{mm}</math></p> 	<p><b>F1</b> x4</p> 
<p><b>I12</b> x4 <math>3.5 \times 16\text{mm}</math></p> 	<p><b>O2</b> x4</p> 	<p><b>S3</b> x1</p> 
<p><b>S7</b> x1 M6x720</p> 	<p><b>S8</b> x1 M6</p> 	<p><b>S9</b> x1</p> 
<p><b>S10</b> x1</p> 	<p><b>M</b> x1</p> 	<p><b>S</b> x1</p> 

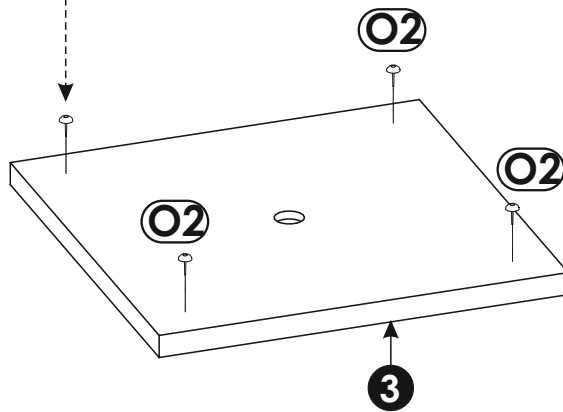
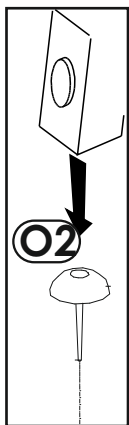
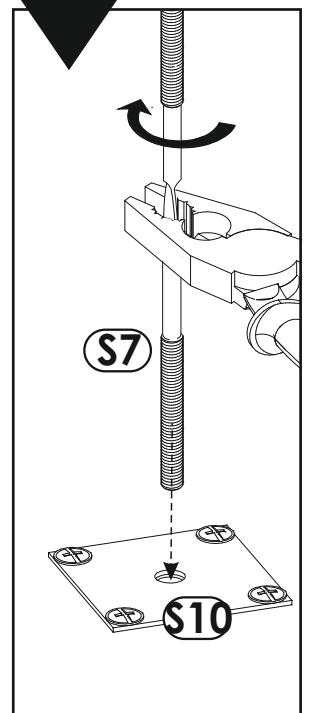
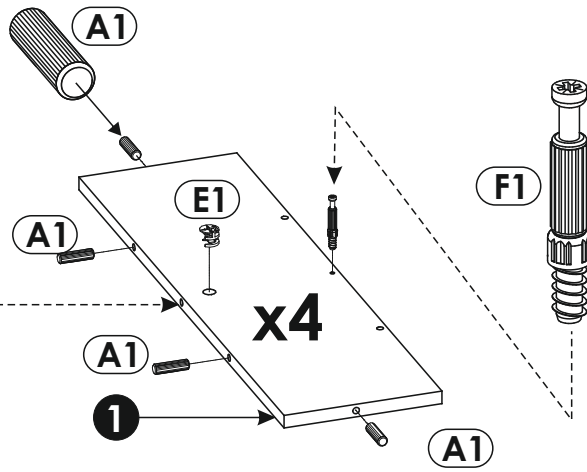
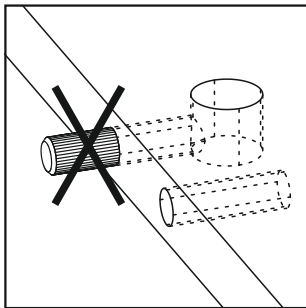
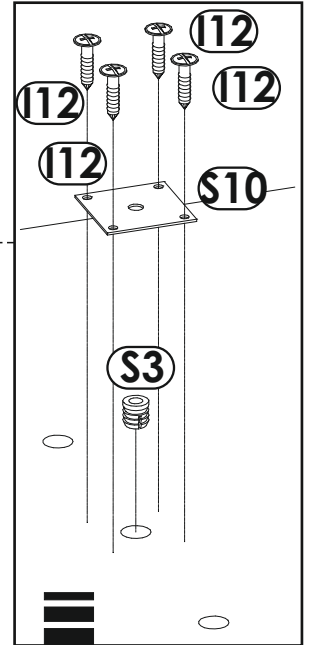
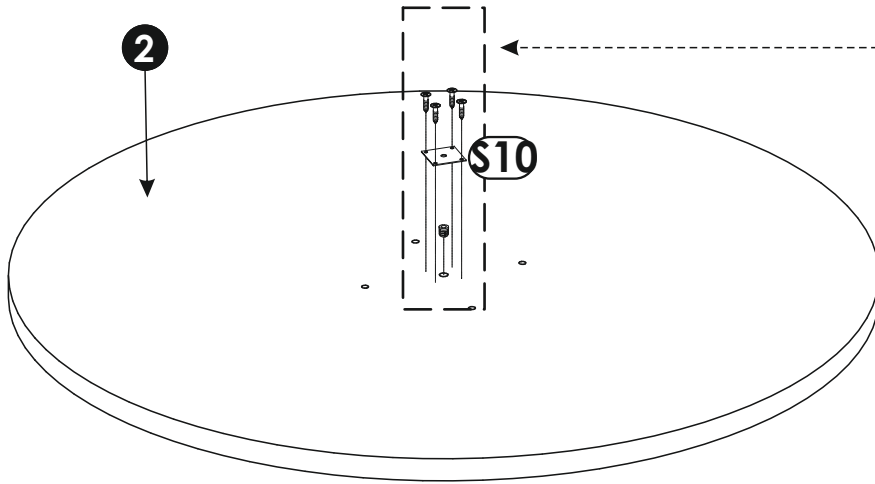


# LEO 03

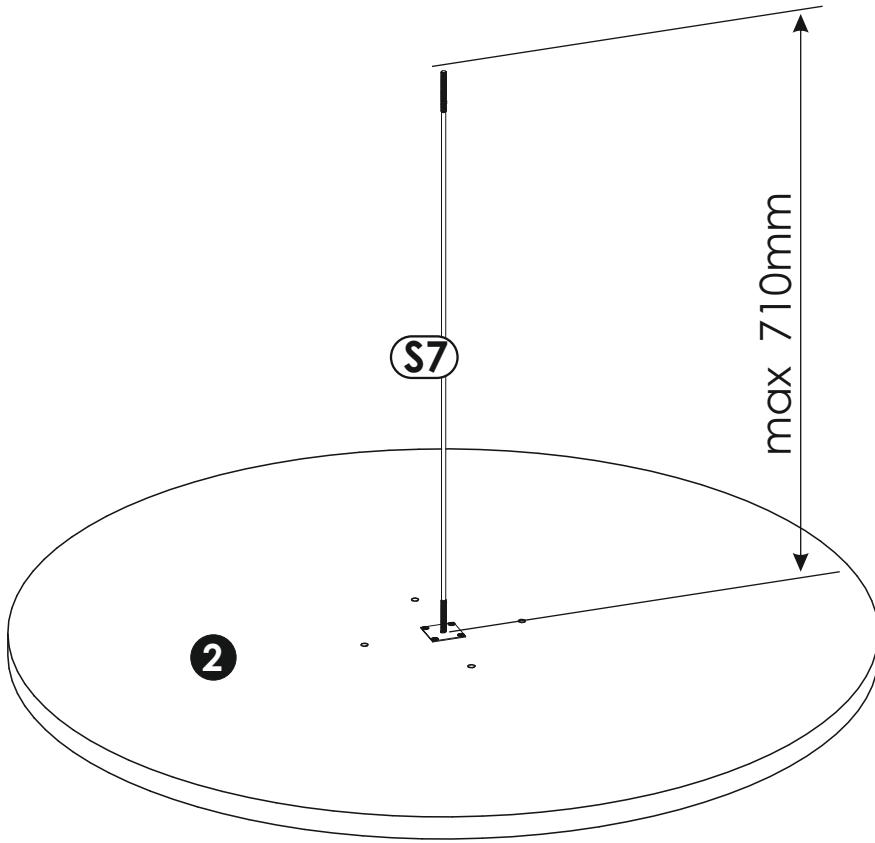




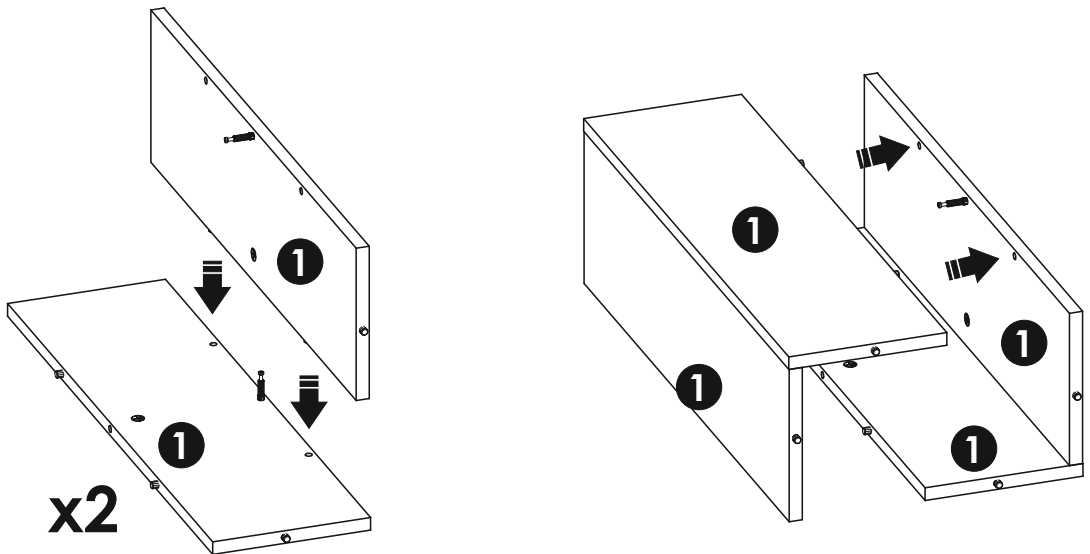
1 ▶



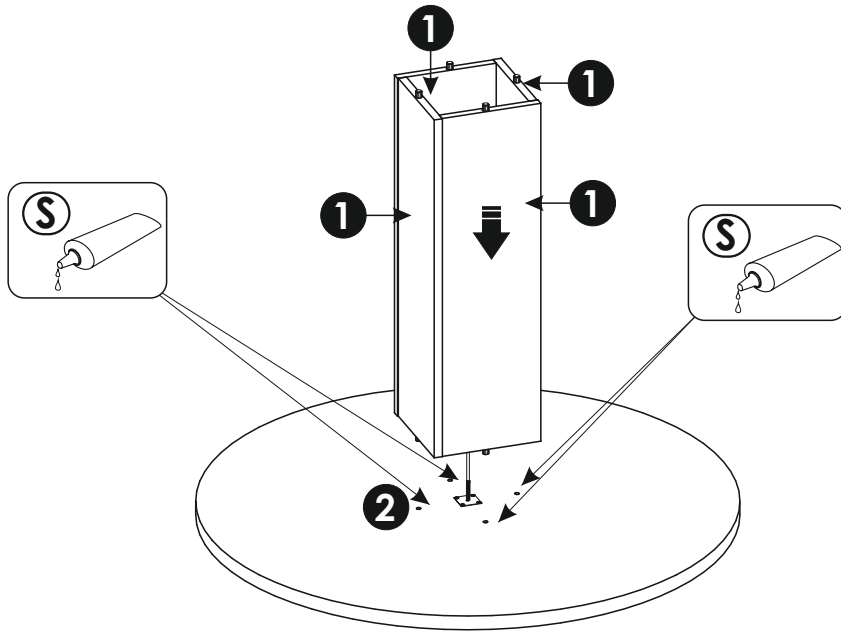
2▶



3▶



4 ▶



5 ▶

