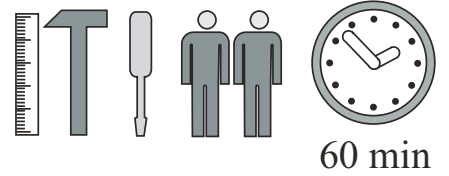
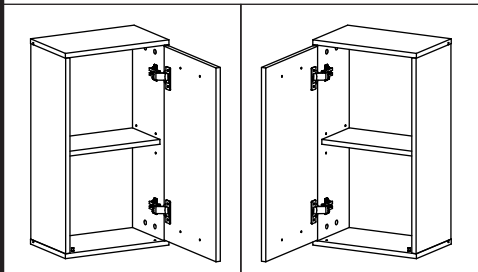
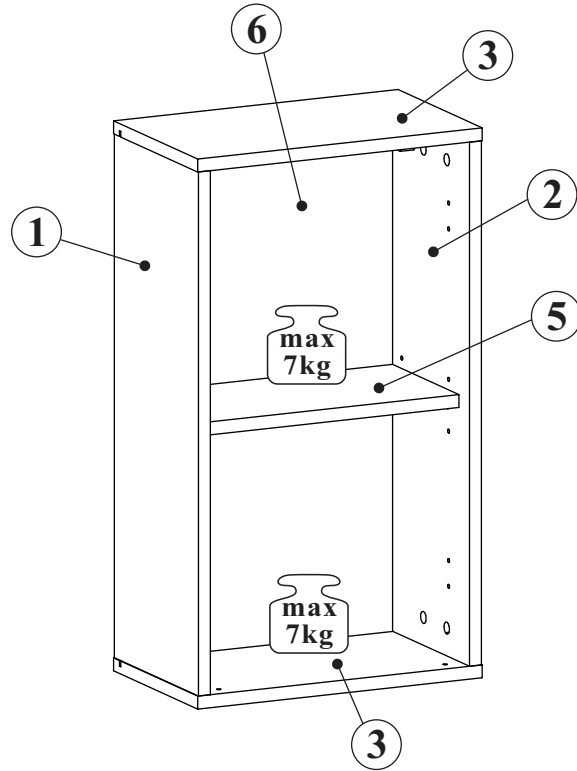
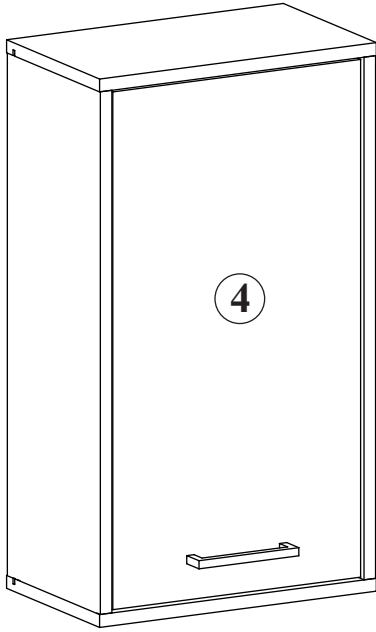
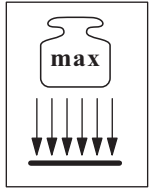


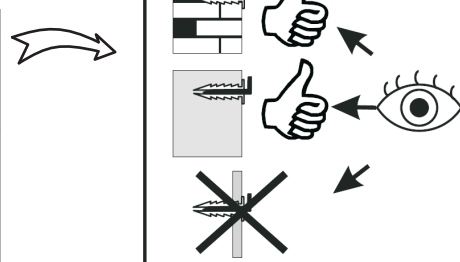
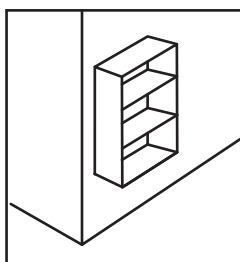
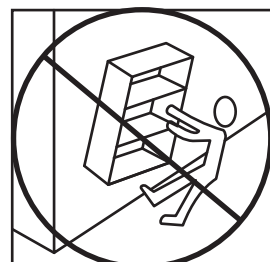
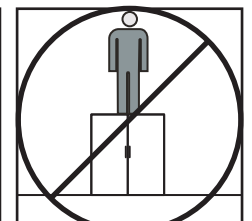
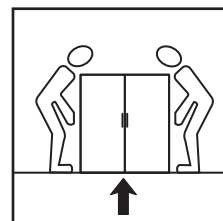
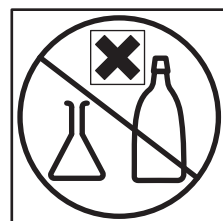
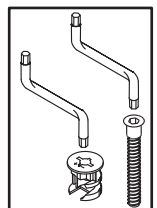
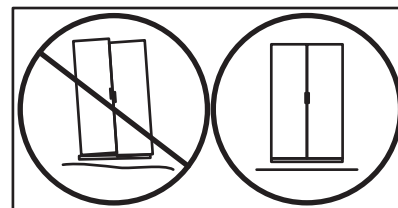
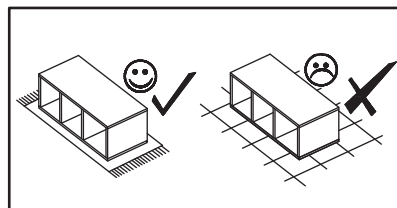
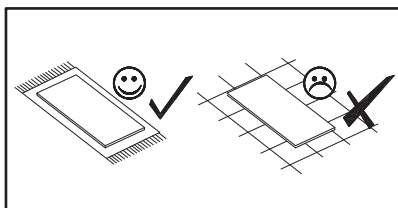
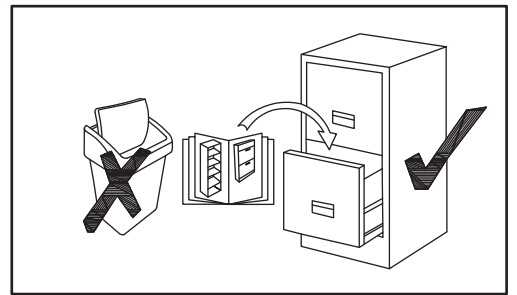
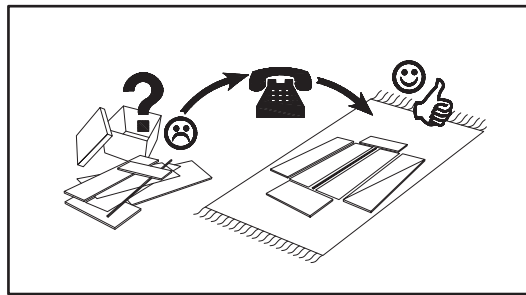
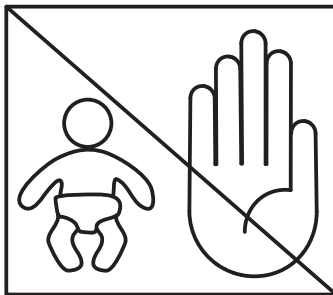
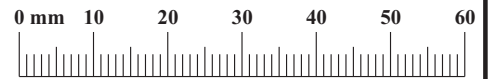
# ROOF 71-967-\_\_-6



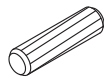
60 min

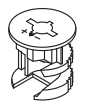
NO	Dim.			Col.-No	Qty
1	648	230	16	1	1
2	648	230	16	1	1
3	382	230	16	1	2
4	342	642	16	1	1
5	348	181	16	1	1
6	660	360	3	1	1

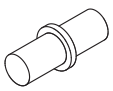
A1 x8 ø8x36	B4 x8	B5 x8 ø15x12	G5 x8	ZXL x1	ZXP x1
E25 x2 Ø35 H=16	E4 x2 H=2	D10 x4 USØ3,5x13	Z2 x6 ø5	G7 x4	G20 x2
U17 x1 L-128mm.	UP6 x2 UPØ4x30	S1 x6	SZ7 x2	KR1 x4 ø8	G2 x1

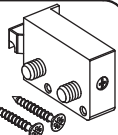


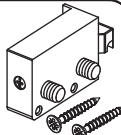
1

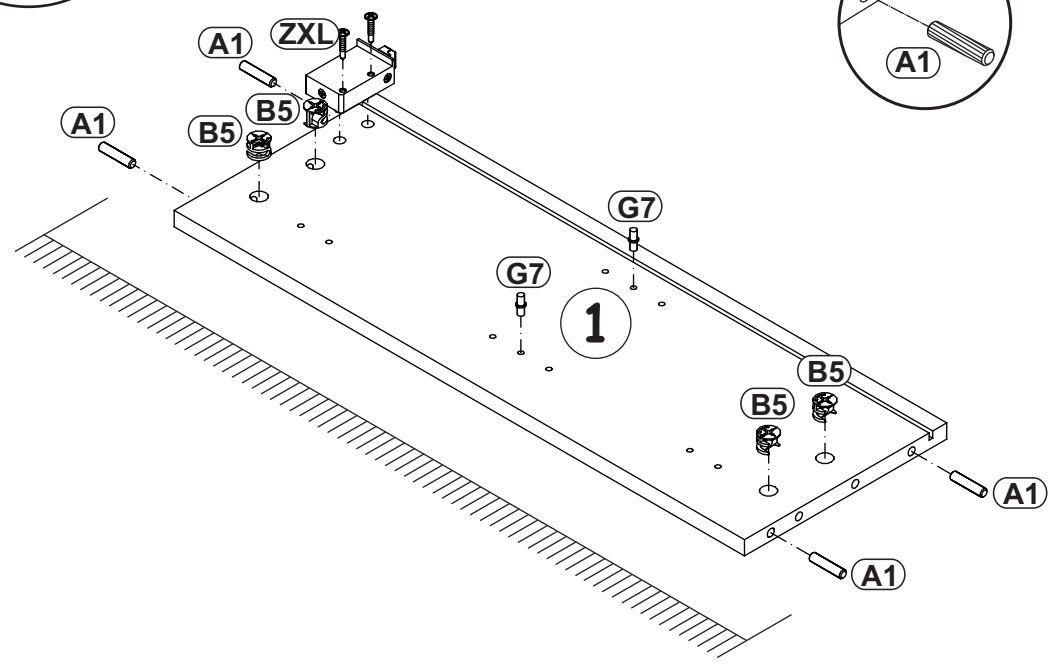
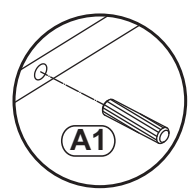
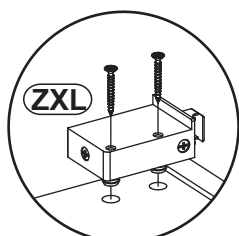
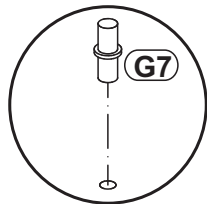
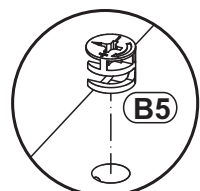
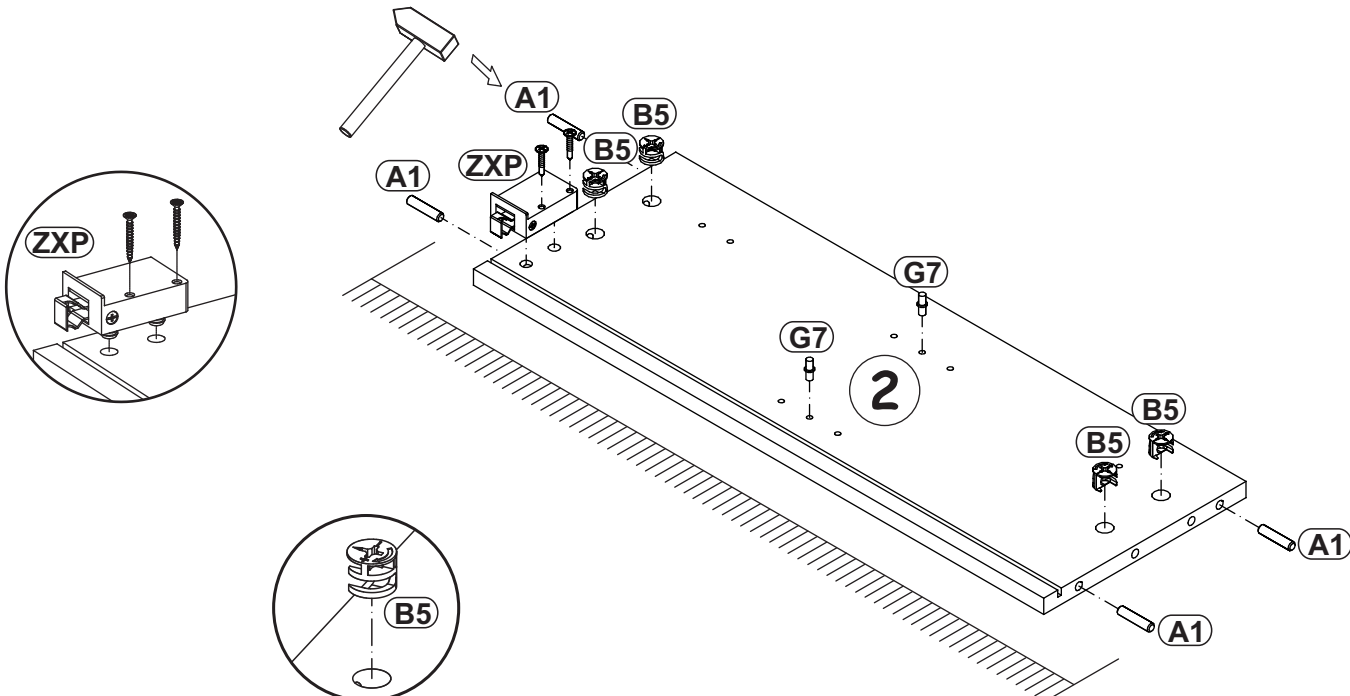
A1	
x8	ø8x36

B5	
x8	ø15x12

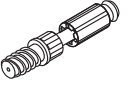
G7	
x4	

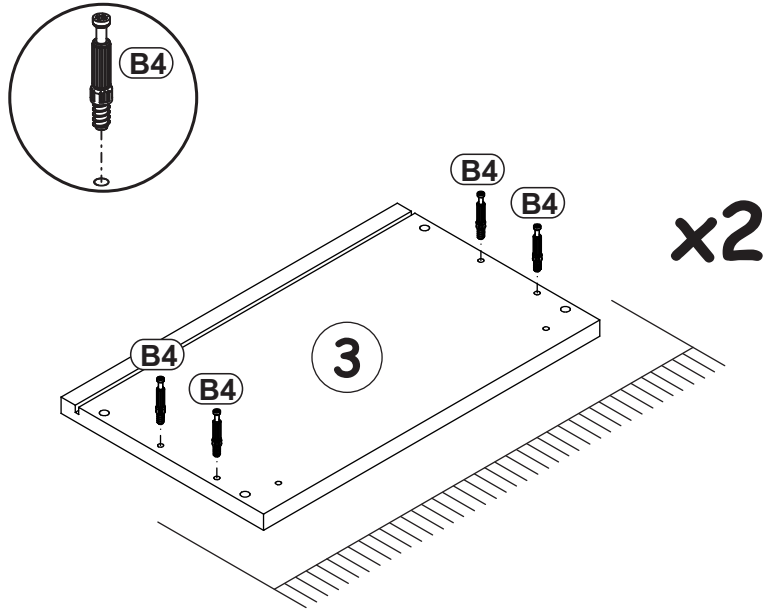
ZXL	
x1	

ZXP	
x1	



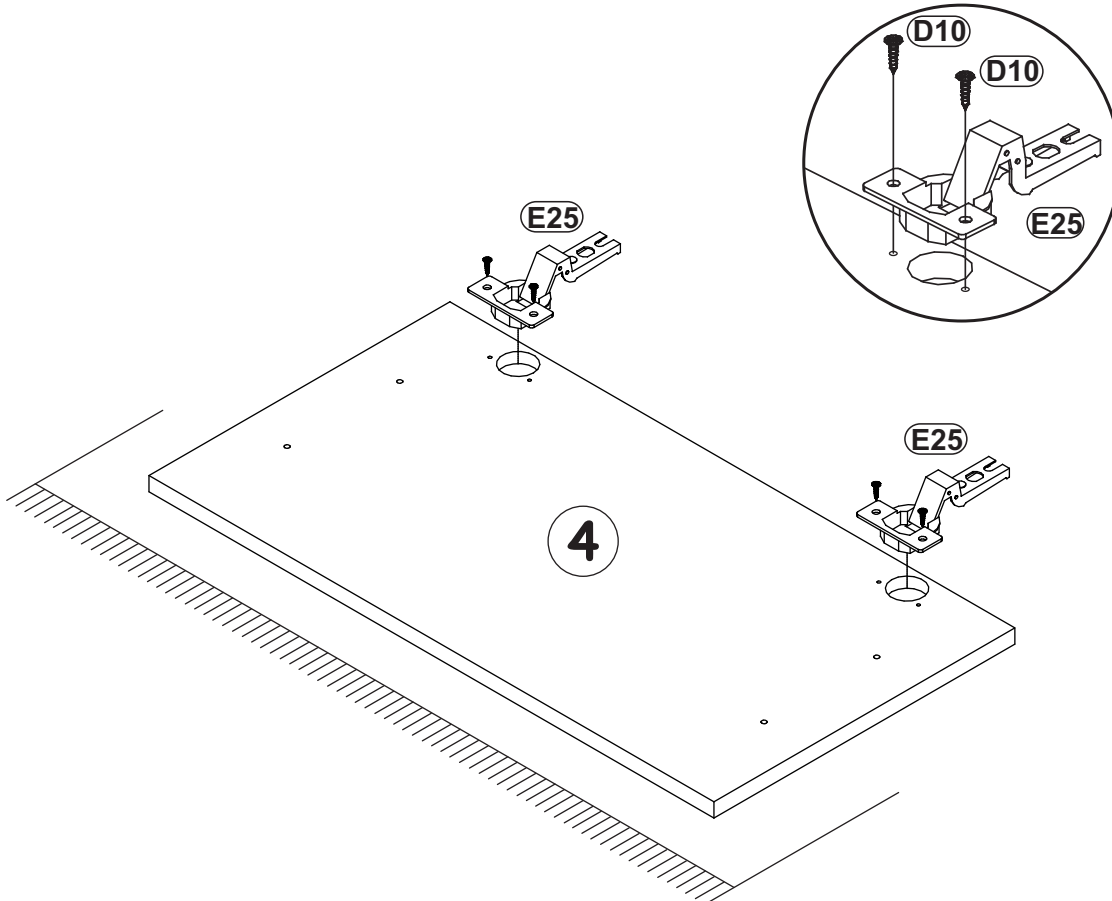
2


B4	
x8	



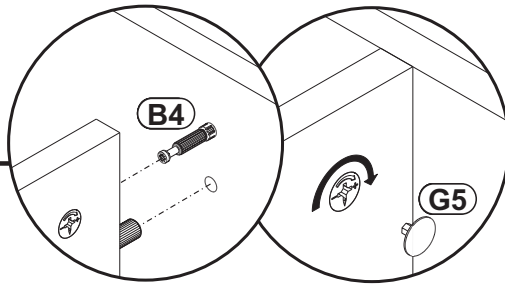
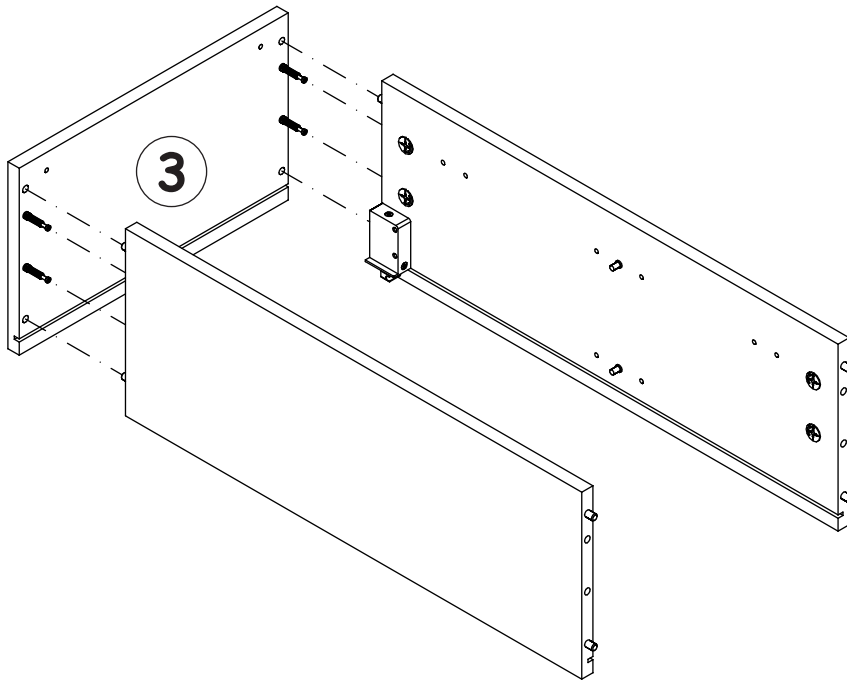
3

E25		D10	
x2	H=16	x4	USØ3,5x13




G5	
x4	

4

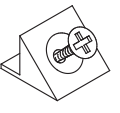


5

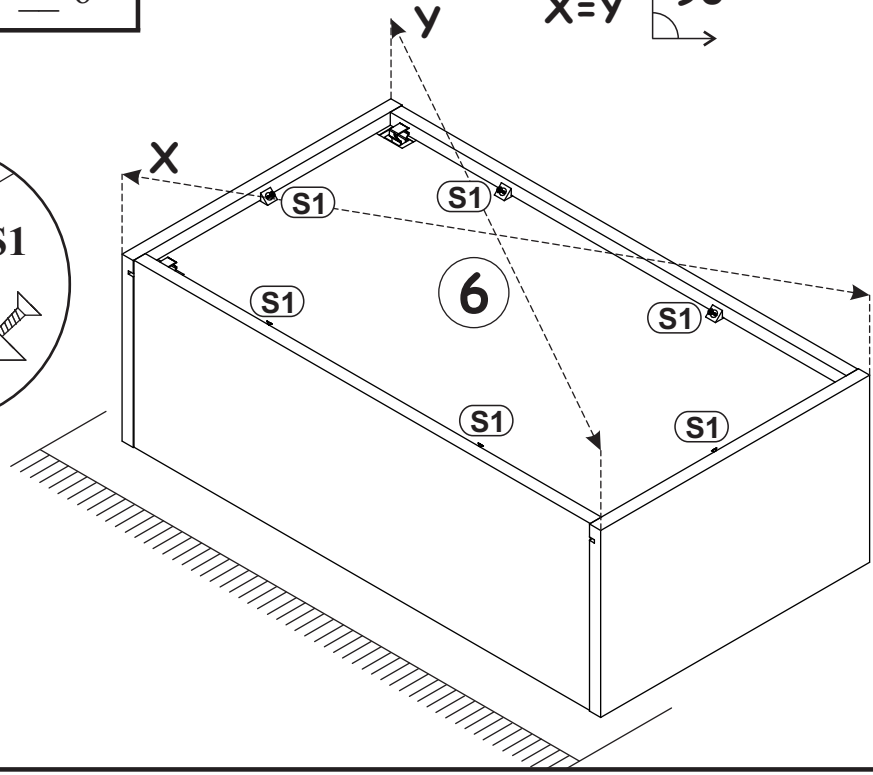
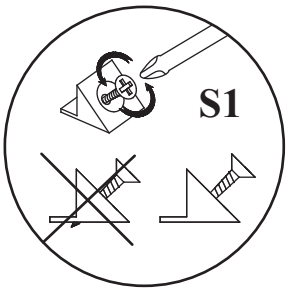
G5	
x4	



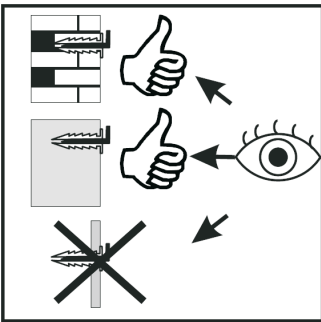
$X=Y$   $90^\circ$

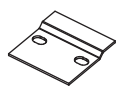
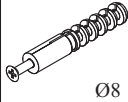
S1	
x6	

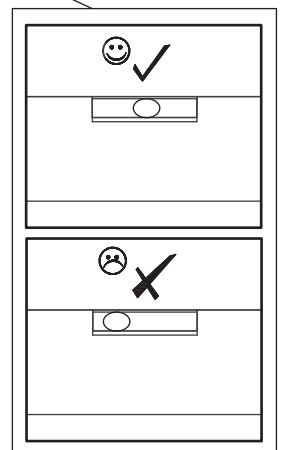
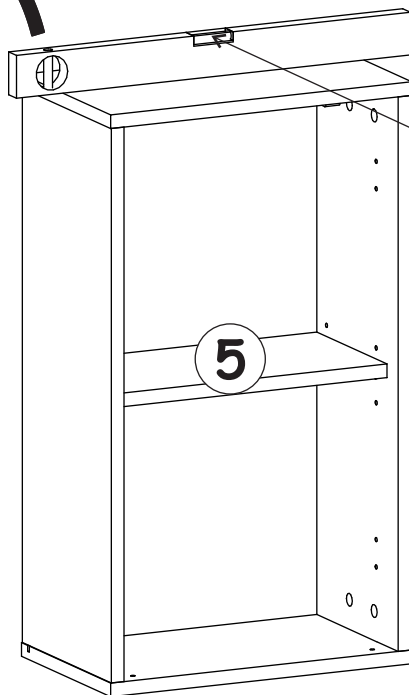
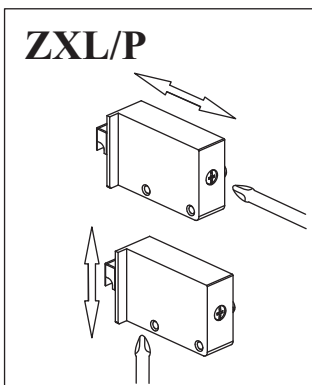
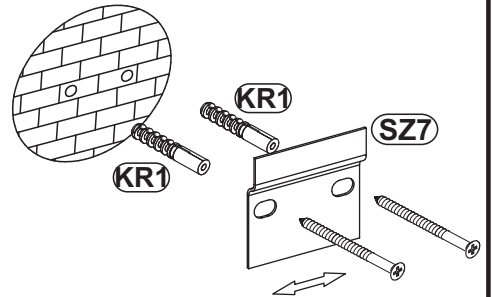
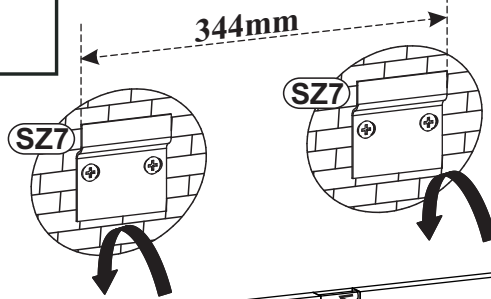
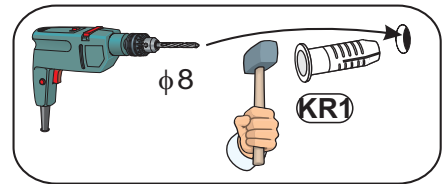
6



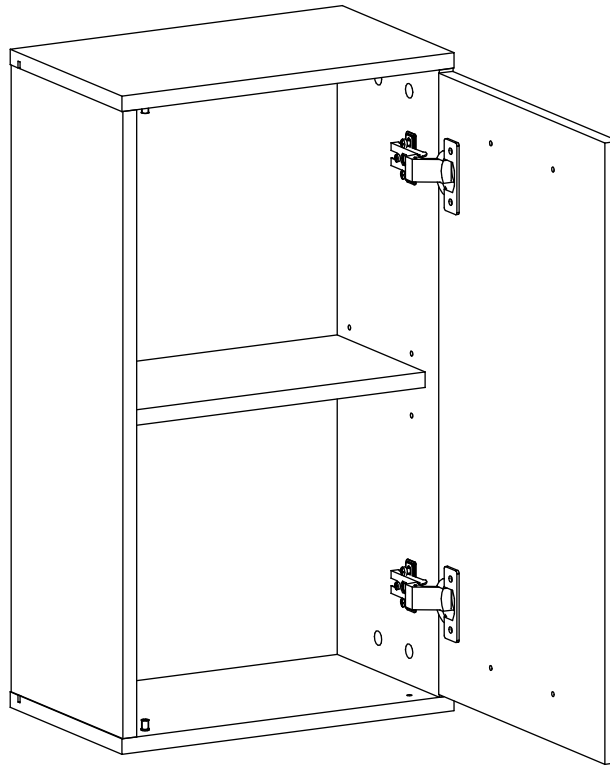
7



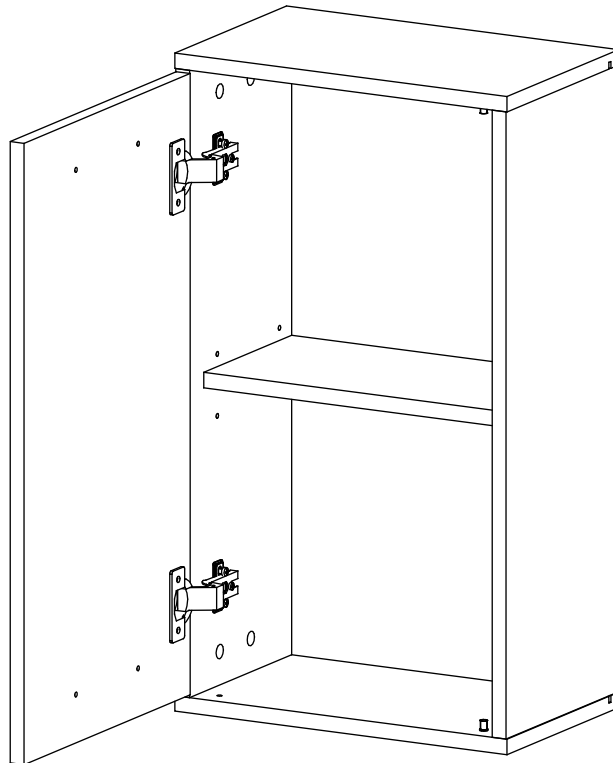
SZ7		KR1	
x2		x4	$\varnothing 8$



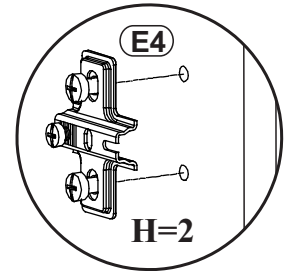
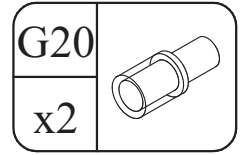
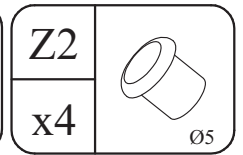
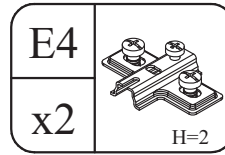
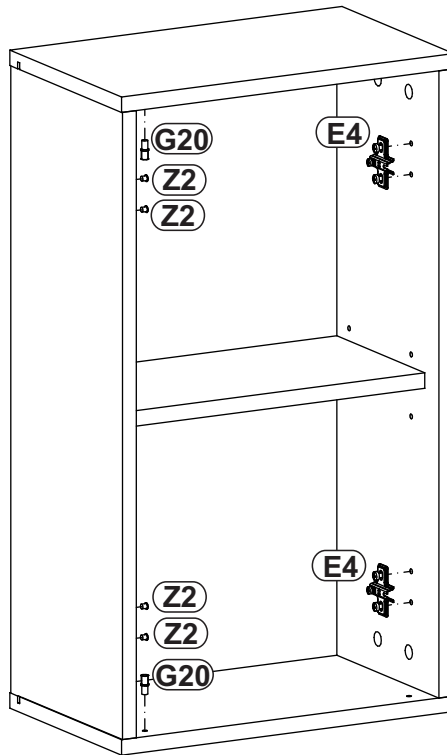
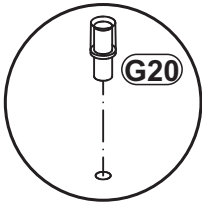
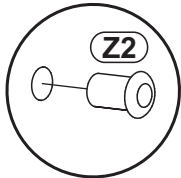
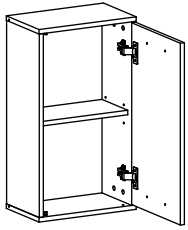
**8-11**



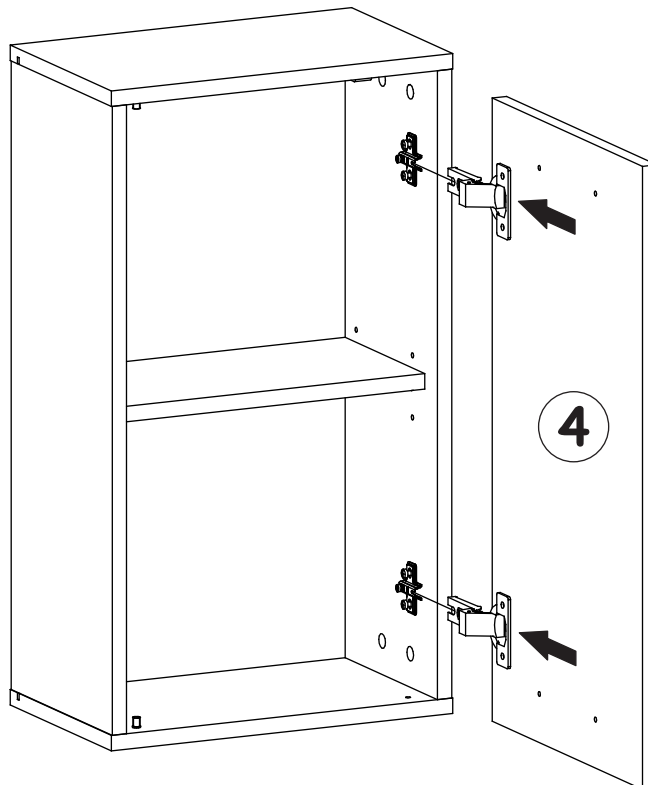
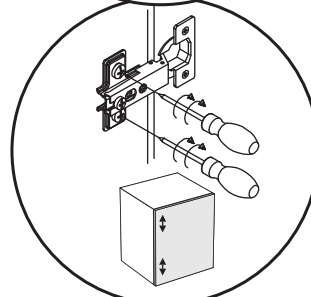
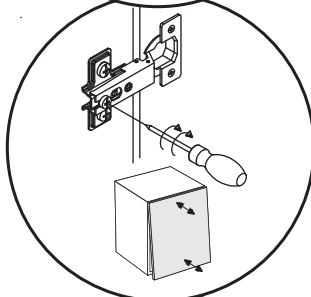
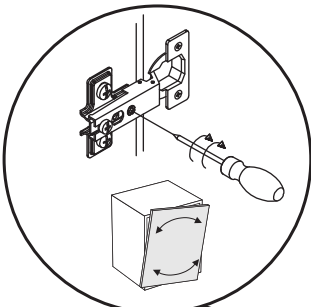
**12-15**



8

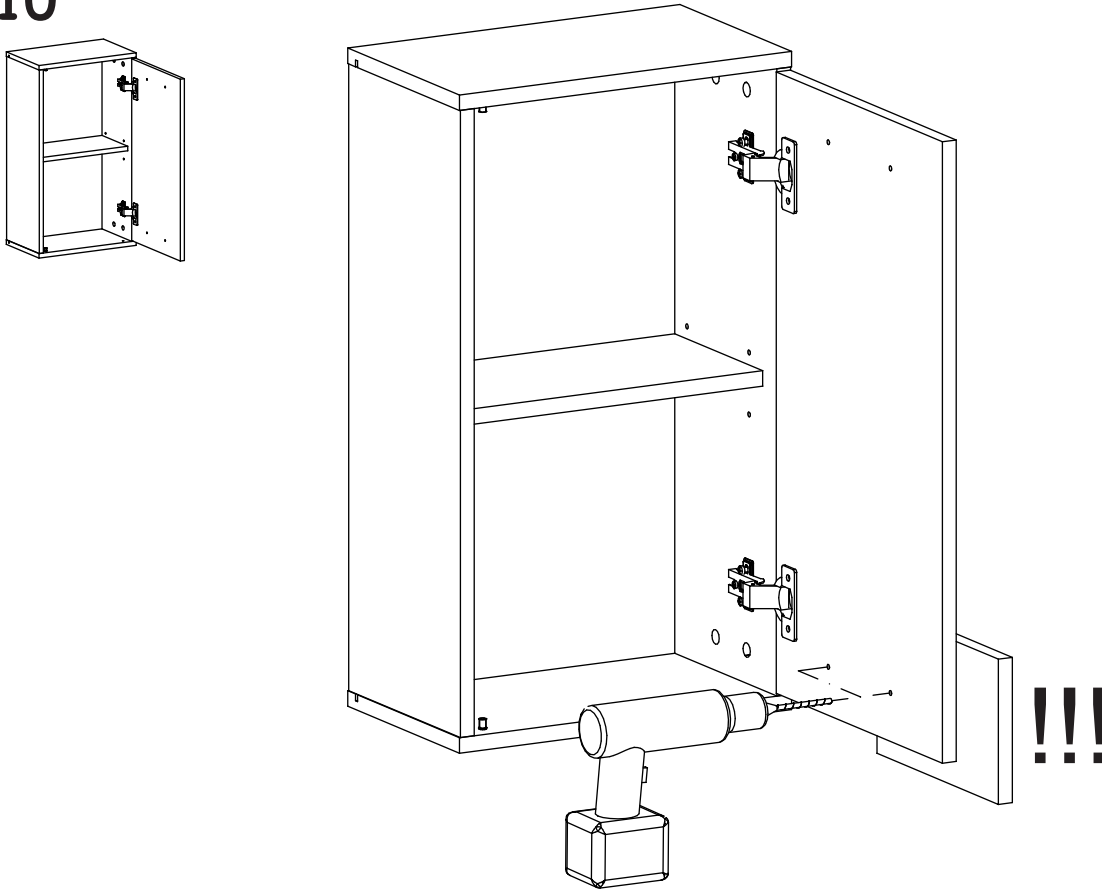


9

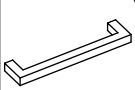





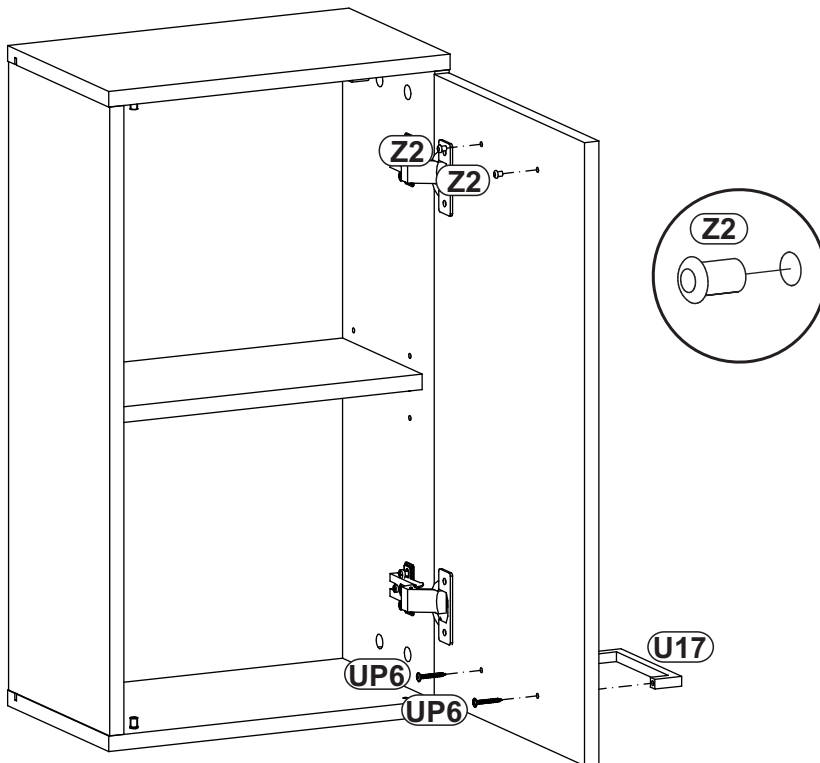


10

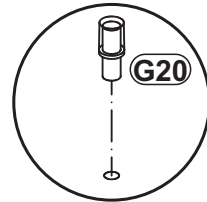
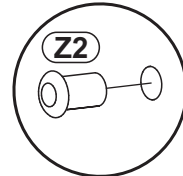
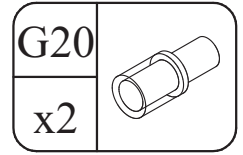
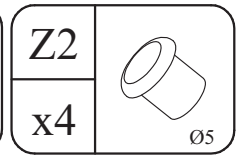
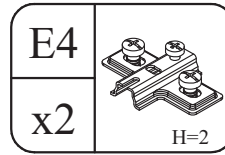
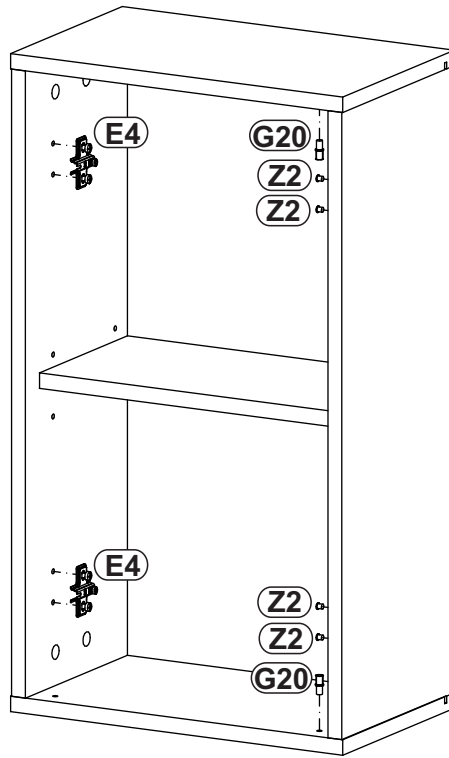
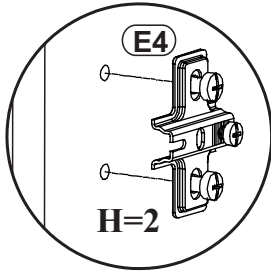
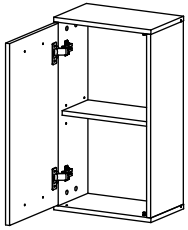


11

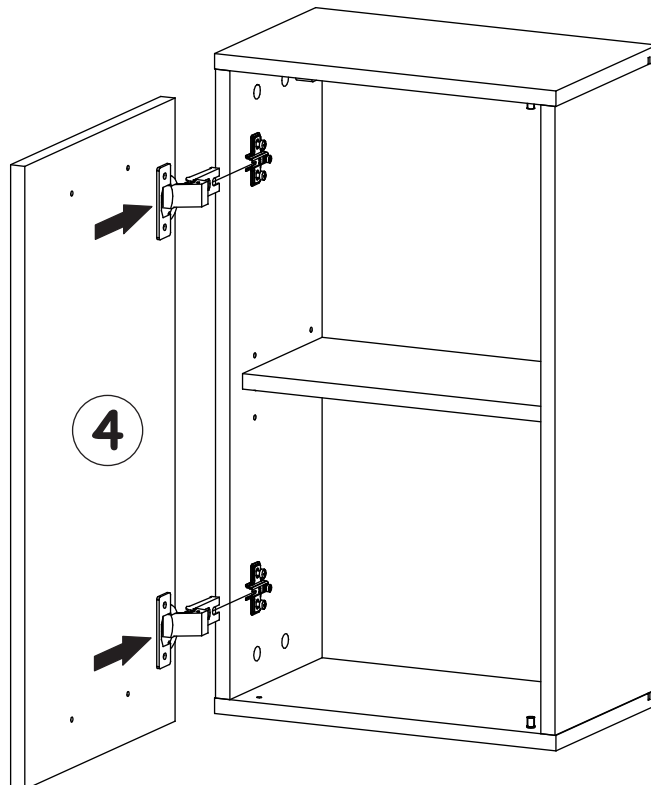
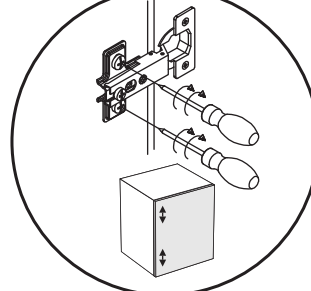
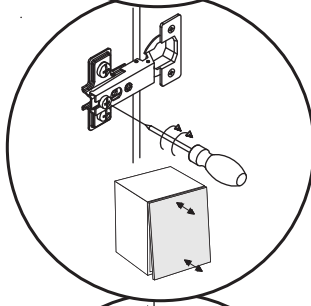
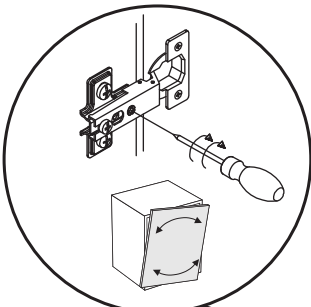
U17		UP6	
x1	L-128mm.	x2	UPØ4x30
Z2		Z2	
x2		x2	Ø5



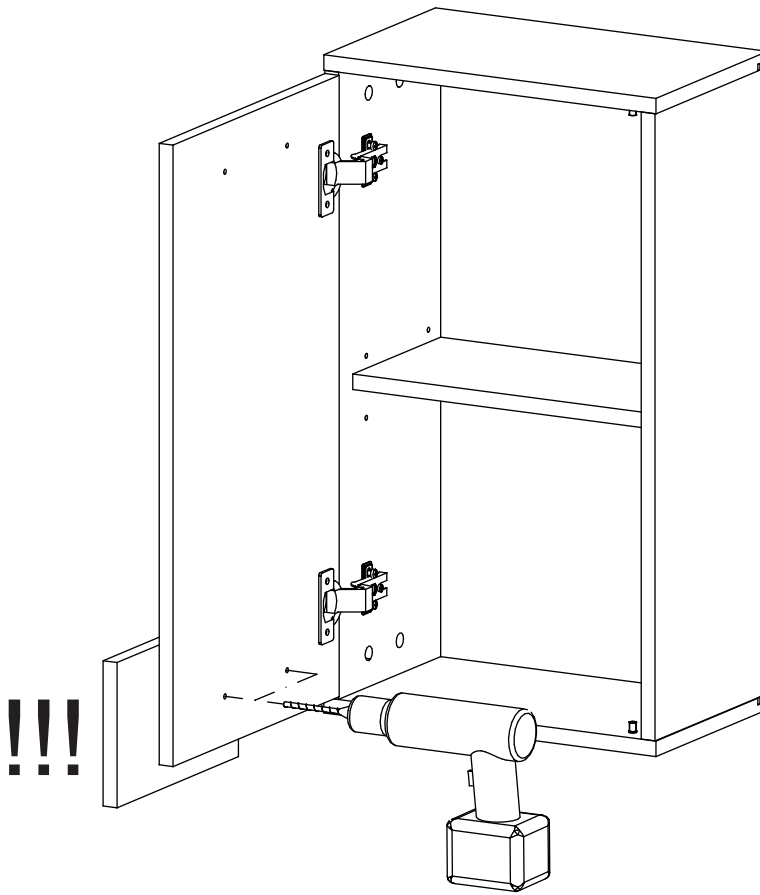
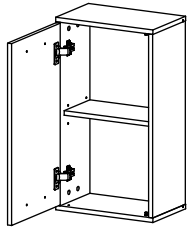
# 12



# 13



14



15

